

United States Patent [19]
Cerola

[11] **Patent Number: Des. 293,068**
[45] **Date of Patent: ** Dec. 8, 1987**

- [54] **COUNTERTOP COOKING RANGE**
[75] **Inventor: Joseph J. Cerola, Noblesville, Ind.**
[73] **Assignee: Roper Corporation, Kankakee, Ill.**
[*] **Notice:** The portion of the term of this patent subsequent to Dec. 8, 2001 has been disclaimed.
[**] **Term: 14 Years**
[21] **Appl. No.: 674,108**
[22] **Filed: Nov. 21, 1984**
[52] **U.S. Cl. D7/346**
[58] **Field of Search D7/346, 407-408, D7/402, 406, 348, 362-367; 219/443, 400, 445-446, 448, 450, 455, 457-458; 126/211, 214 A, 214 C, 220, 37 R, 37 A, 39 R, 39 B, 39 E, 39 N, 41 R**

4,508,097 4/1985 Berg 219/400
4,517,886 5/1985 Baies 126/41 R

OTHER PUBLICATIONS

Merchandising, vol. 6, Sep. 1981, p. 79, Jenn-Air.

Primary Examiner—Wallace R. Burke
Assistant Examiner—Ruth Takemoto
Attorney, Agent, or Firm—Leydig, Voit & Mayer

[57] **CLAIM**

The ornamental design for a countertop cooking range, as shown and described.

DESCRIPTION

FIG. 1 is a front perspective view of a countertop cooking range showing my new design; FIG. 2 is a top plan view thereof; FIG. 3 is a front elevational view thereof; and FIG. 4 is a top plan view of a second embodiment thereof, wherein the only difference is on the top surface as shown.

The undisclosed sides, rear and bottom are conventional and unornamental and the broken lines showing a countertop in FIGS. 1-4 are for illustrative purposes only and form no part of the claimed design.

[56] **References Cited**

U.S. PATENT DOCUMENTS

- D. 267,770 2/1983 Fischer D7/346
3,926,171 12/1975 Kurek et al. 126/39 B
4,413,610 11/1983 Berlik 126/39 R

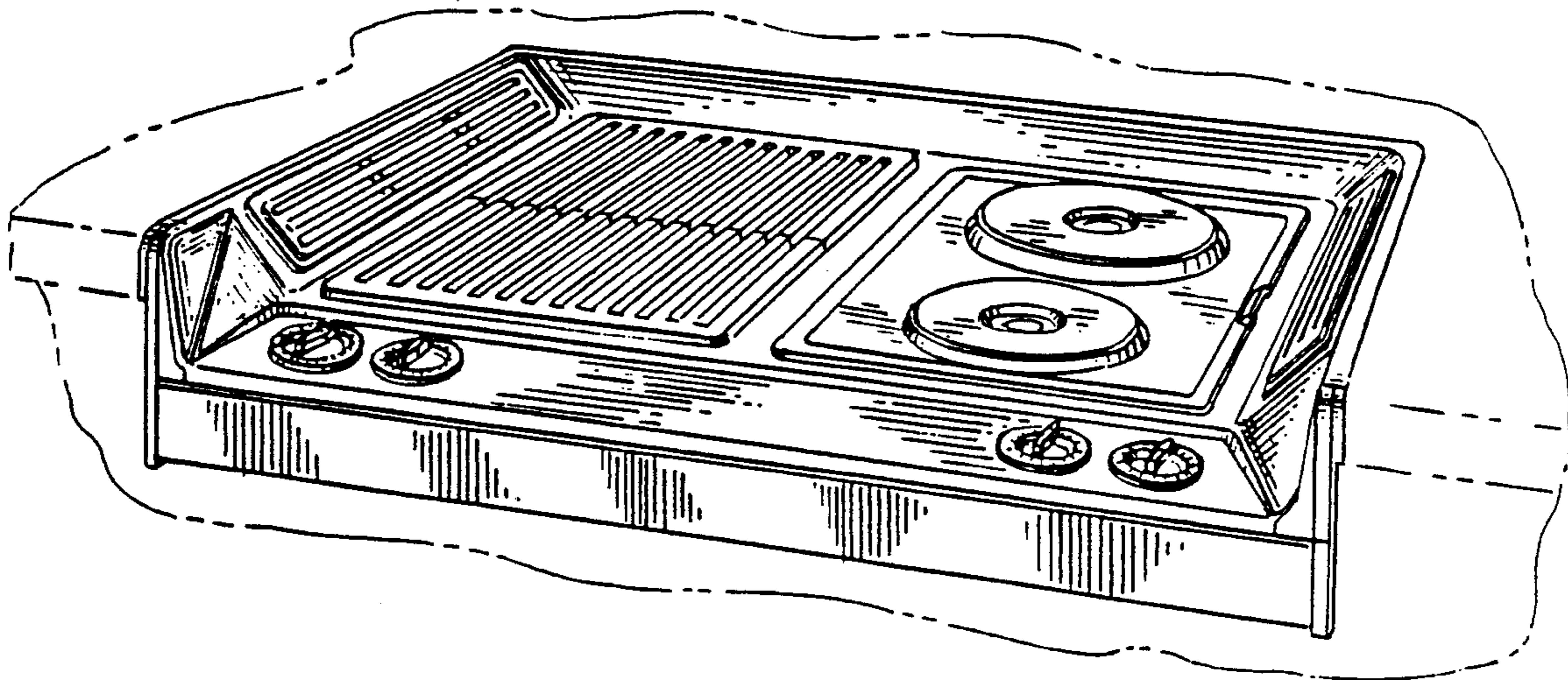


FIG. 1

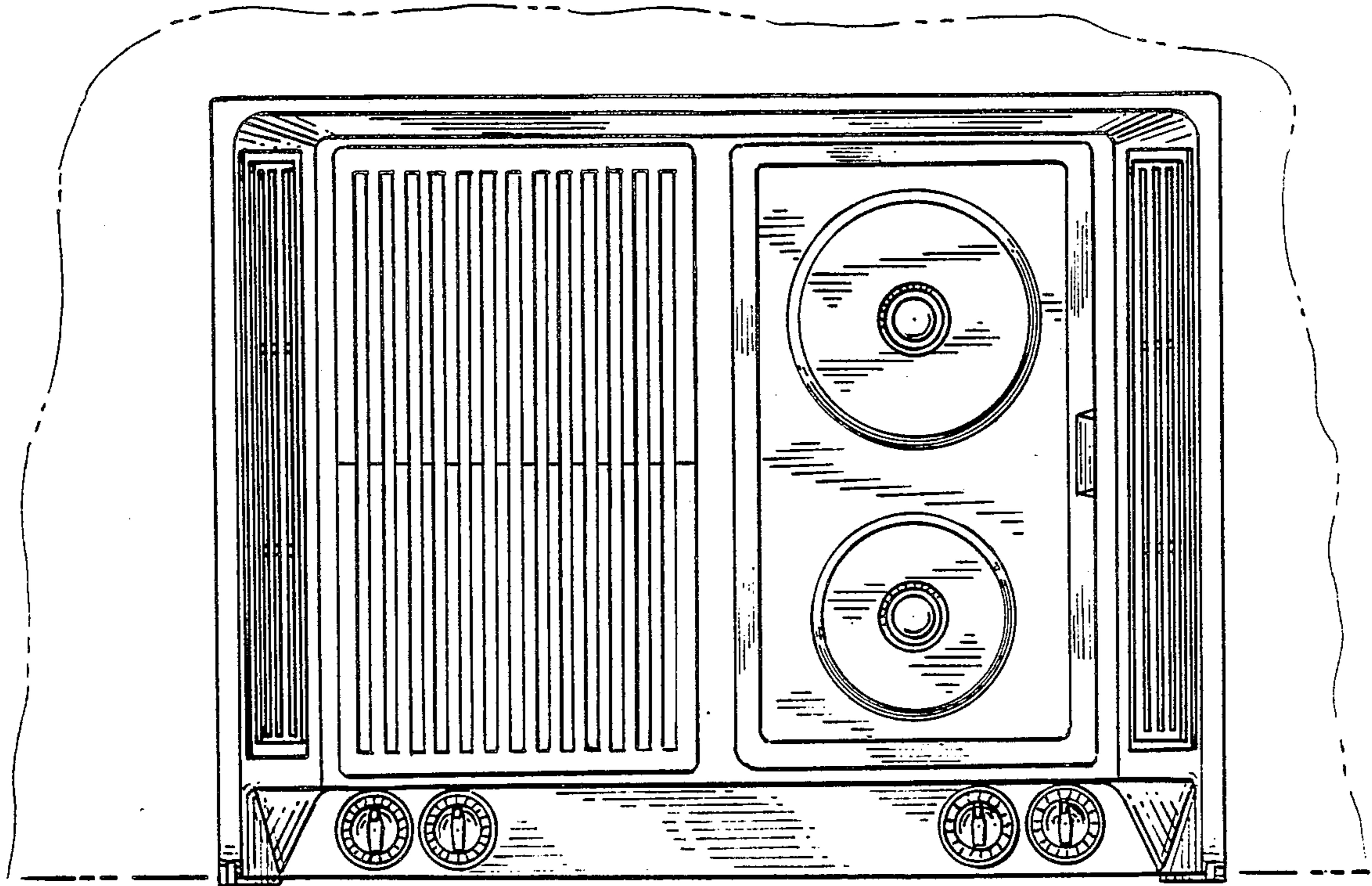
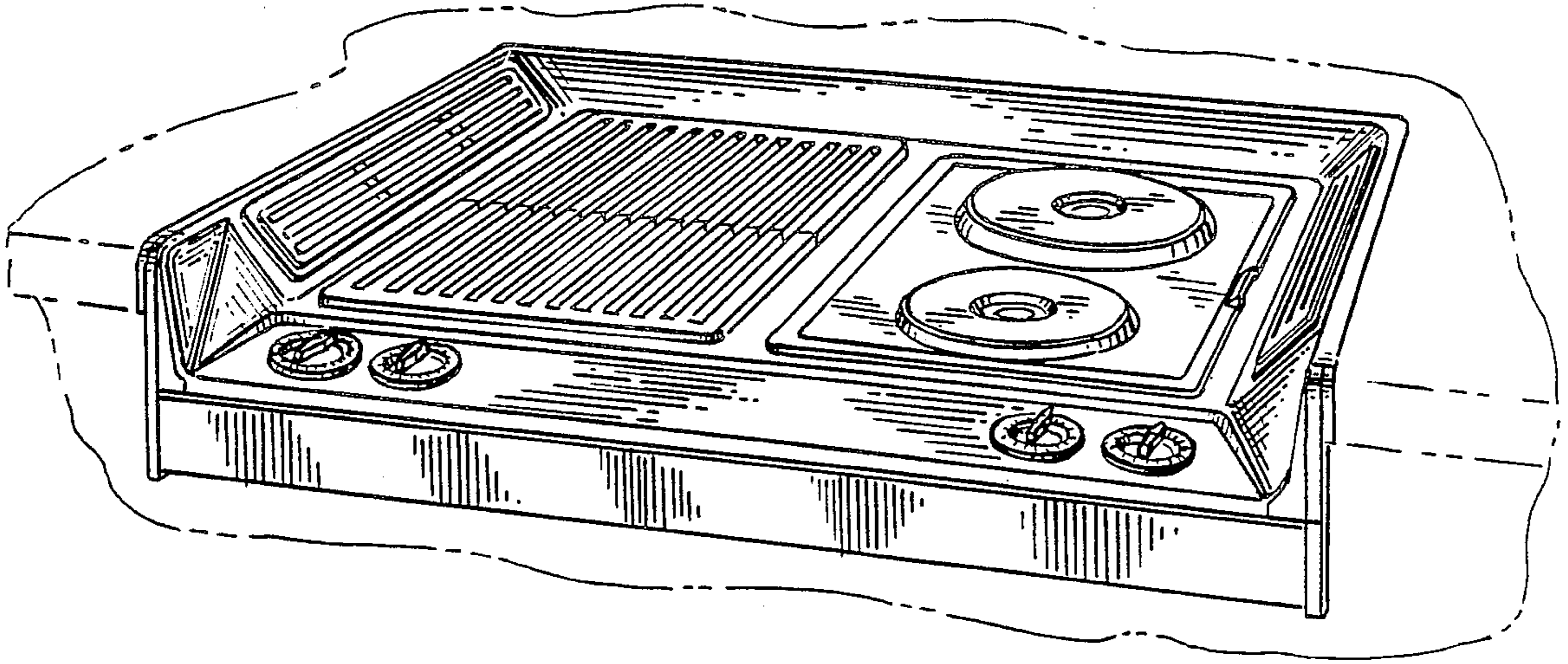


FIG. 2

FIG. 3

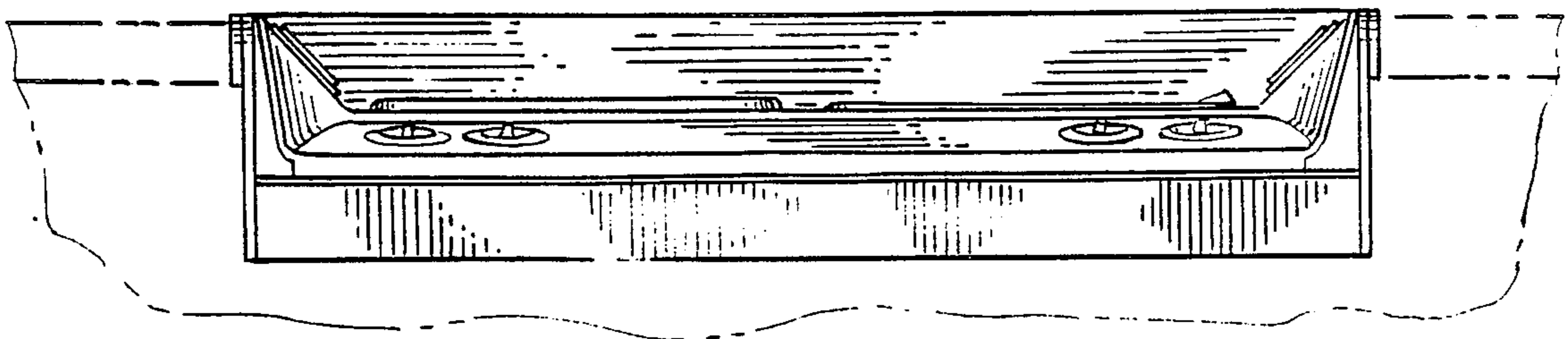


FIG. 4

