

# United States Patent [19]

Iwarsson

[11] Patent Number: Des. 293,058

[45] Date of Patent: \*\* Dec. 8, 1987

[54] COMBINED DISPENSER FOR SANITARY PAPER AND BRACKET

[75] Inventor: Jan Iwarsson, Göteborg, Sweden

[73] Assignee: Molnlycke Aktiebolag, Gothenburg, Sweden

[\*\*] Term: 14 Years

[21] Appl. No.: 723,933

[22] Filed: Apr. 16, 1985

[30] Foreign Application Priority Data

Oct. 29, 1984 [SE] Sweden ..... 84-2892

[52] U.S. Cl. .... D6/523; D6/518

[58] Field of Search ..... D6/515, 518-523; D8/373; D9/339, 418; 221/16, 42, 53, 77; 225/31, 32, 106; 312/37; 206/409

[56] References Cited

U.S. PATENT DOCUMENTS

D. 231,057 4/1974 Larsson et al. .... D6/521

D. 273,064 3/1984 Minost ..... D6/522

D. 278,006 3/1985 Sjöstedt et al. .... D6/523

D. 285,995 10/1986 Minost ..... D6/522

3,982,659 9/1976 Ross ..... 225/106

4,524,895 6/1985 Lunden ..... 225/106

Primary Examiner—B. J. Bullock  
Attorney, Agent, or Firm—Young & Thompson

[57] CLAIM

The ornamental design for a combined dispenser for sanitary paper and bracket, as shown and described.

DESCRIPTION

FIG. 1 is a rear perspective view of a combined dispenser for sanitary paper and bracket showing my new design;

FIG. 2 is a right side elevational view thereof, the left side being a mirror image.

FIG. 3 is a top plan view thereof;

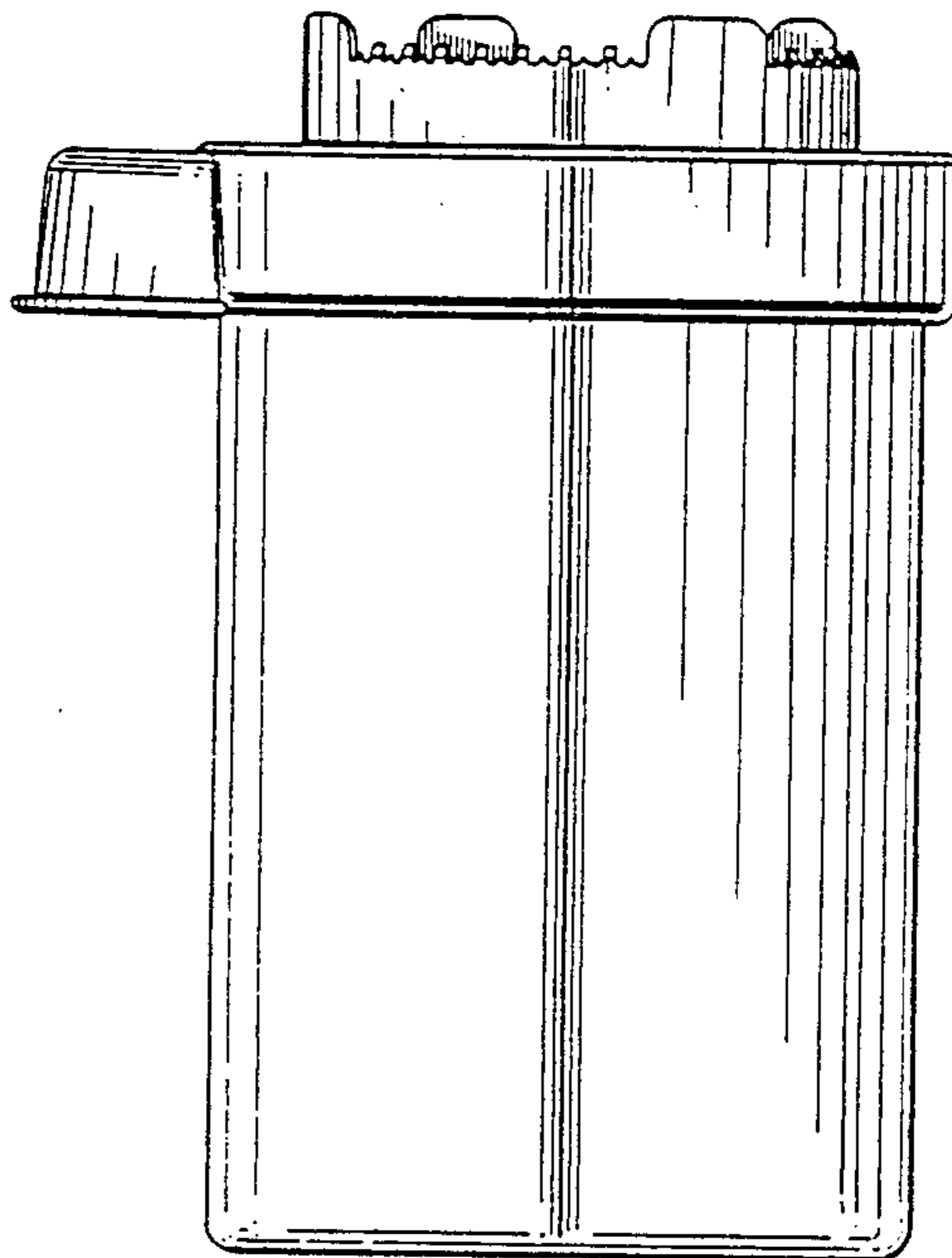
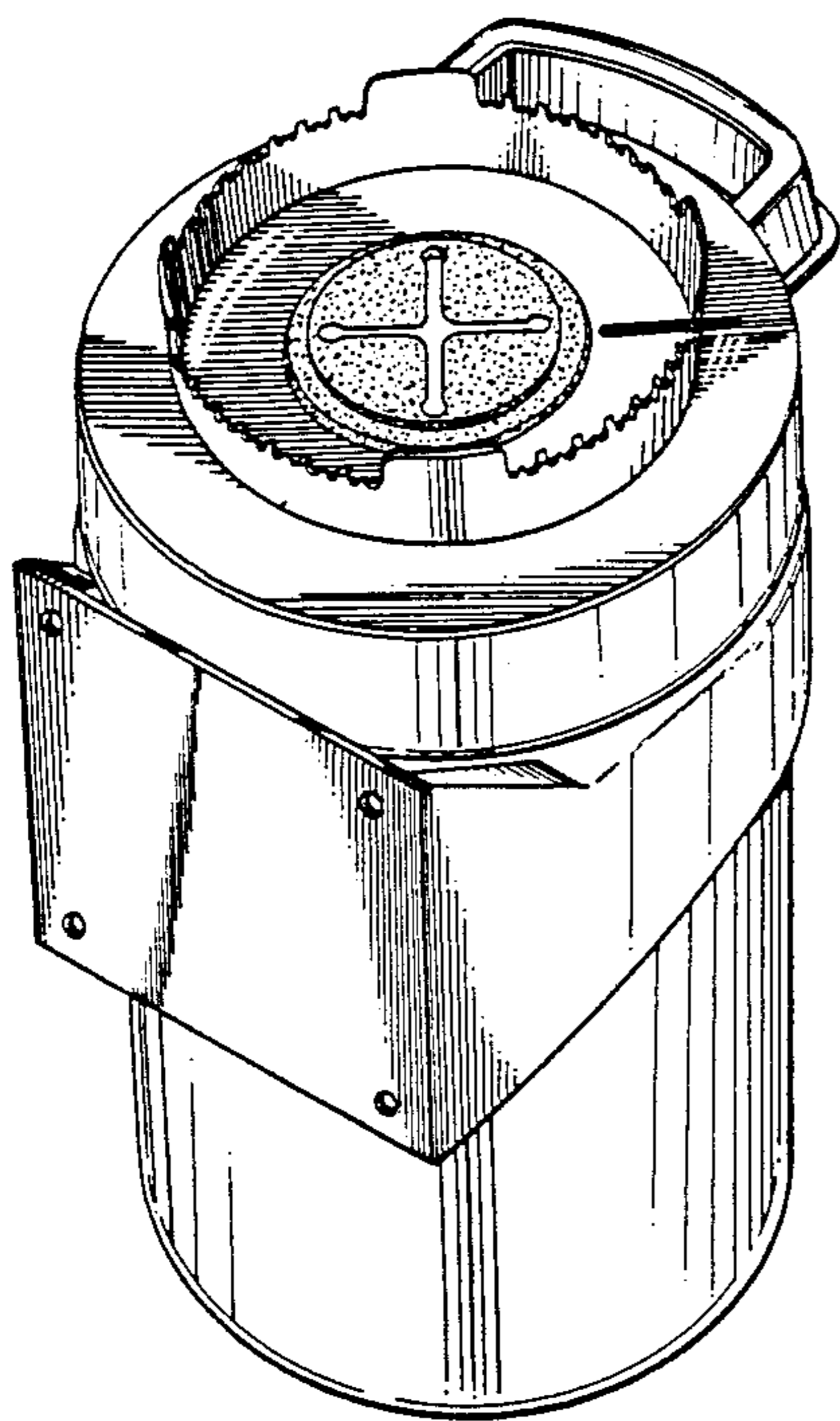
FIG. 4 is a bottom plan view thereof;

FIG. 5 is a front elevational view thereof;

FIG. 6 is a rear elevational view thereof;

FIG. 7 is a top perspective view of the dispenser shown separate for clarity of illustration;

FIG. 8 is a side elevational view of FIG. 7.



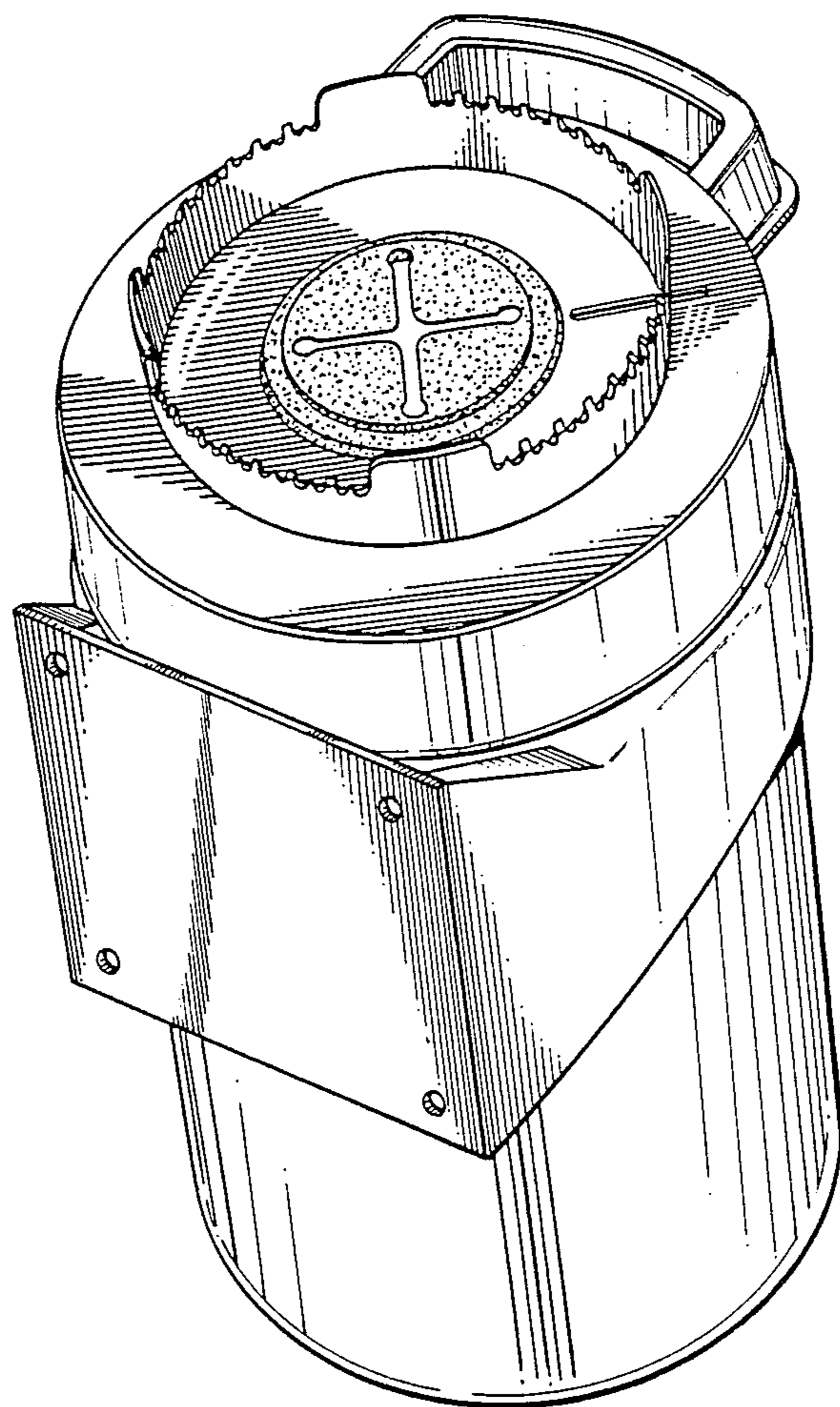


FIG.1

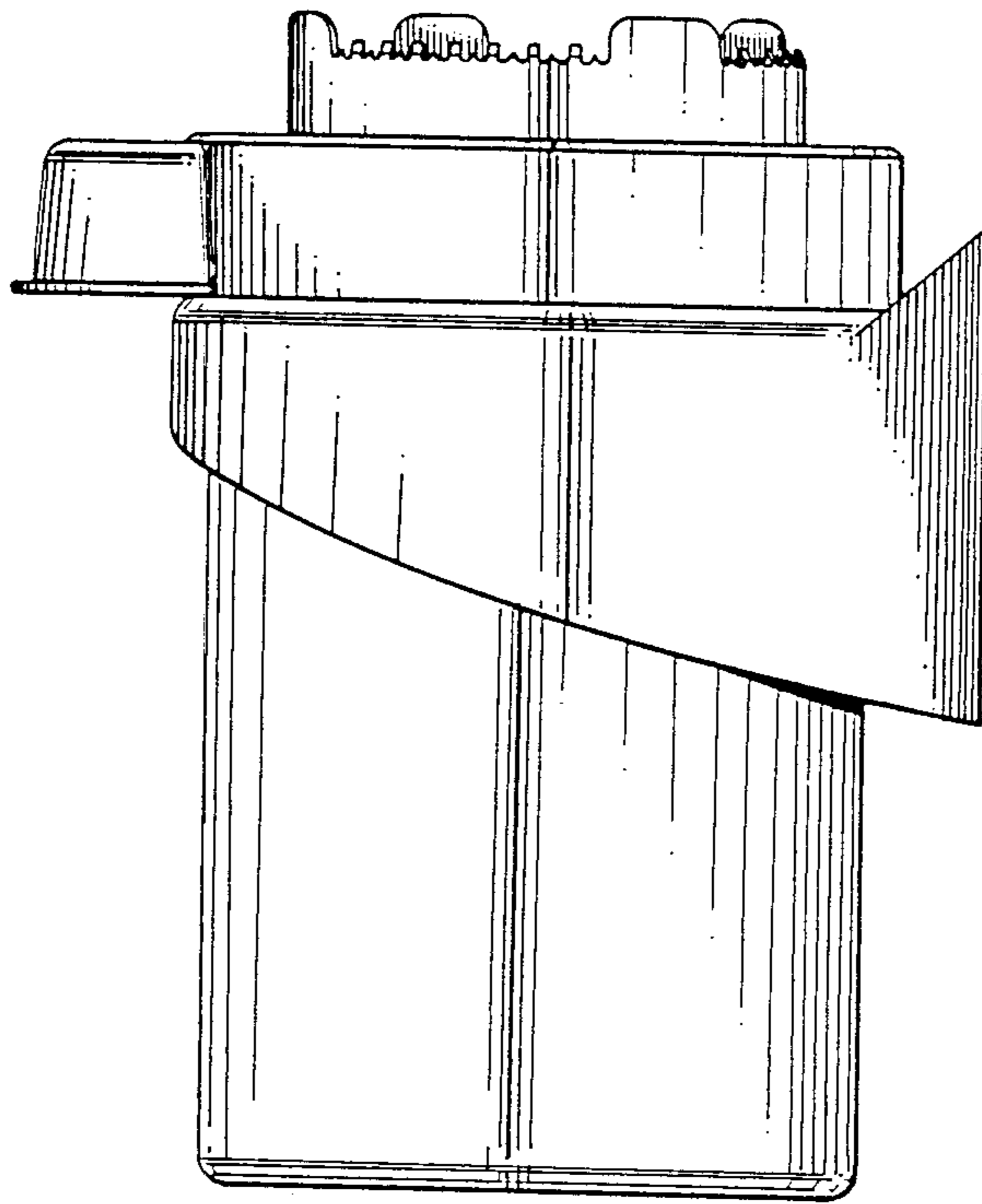


FIG. 2

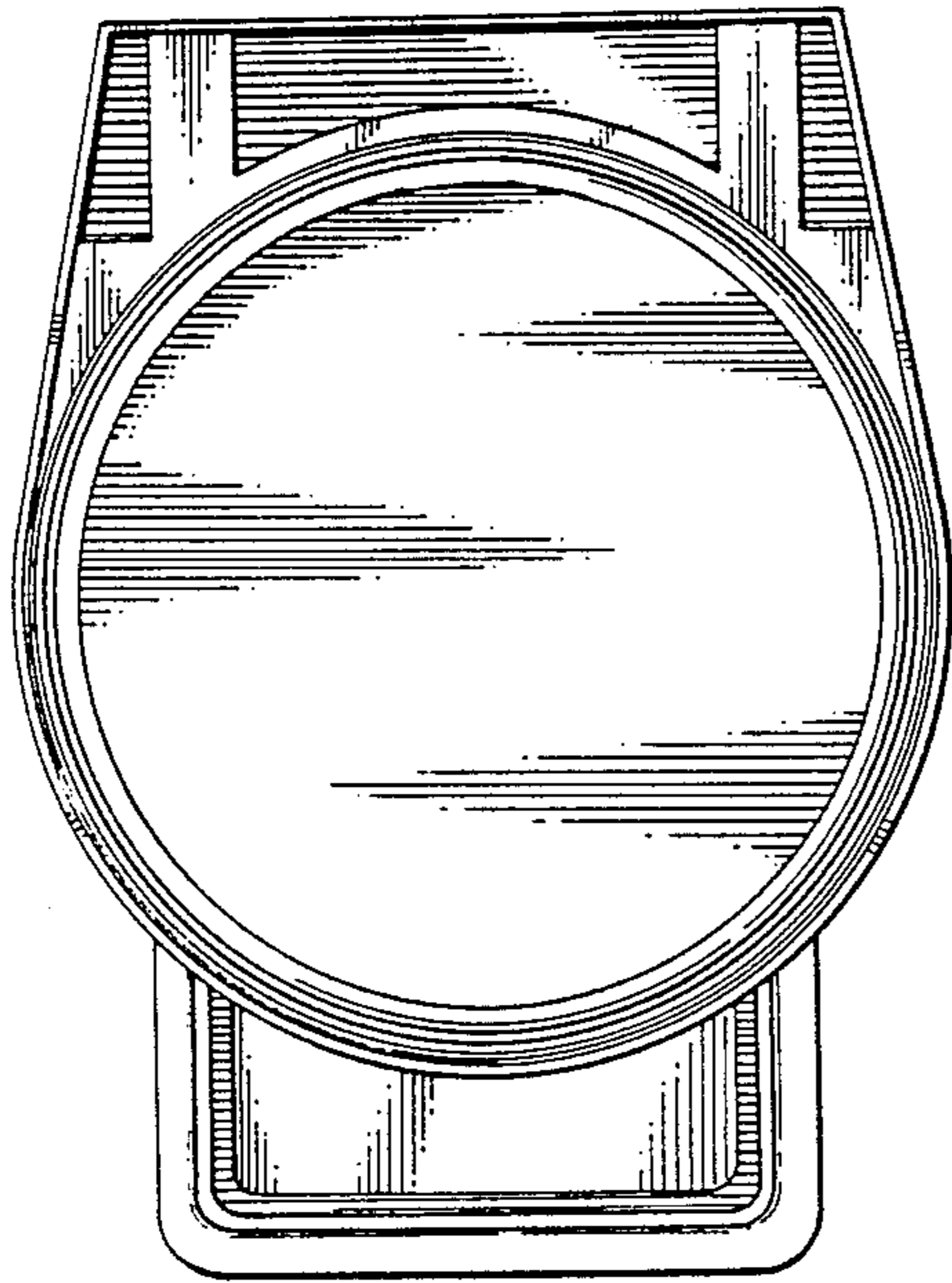


FIG. 4

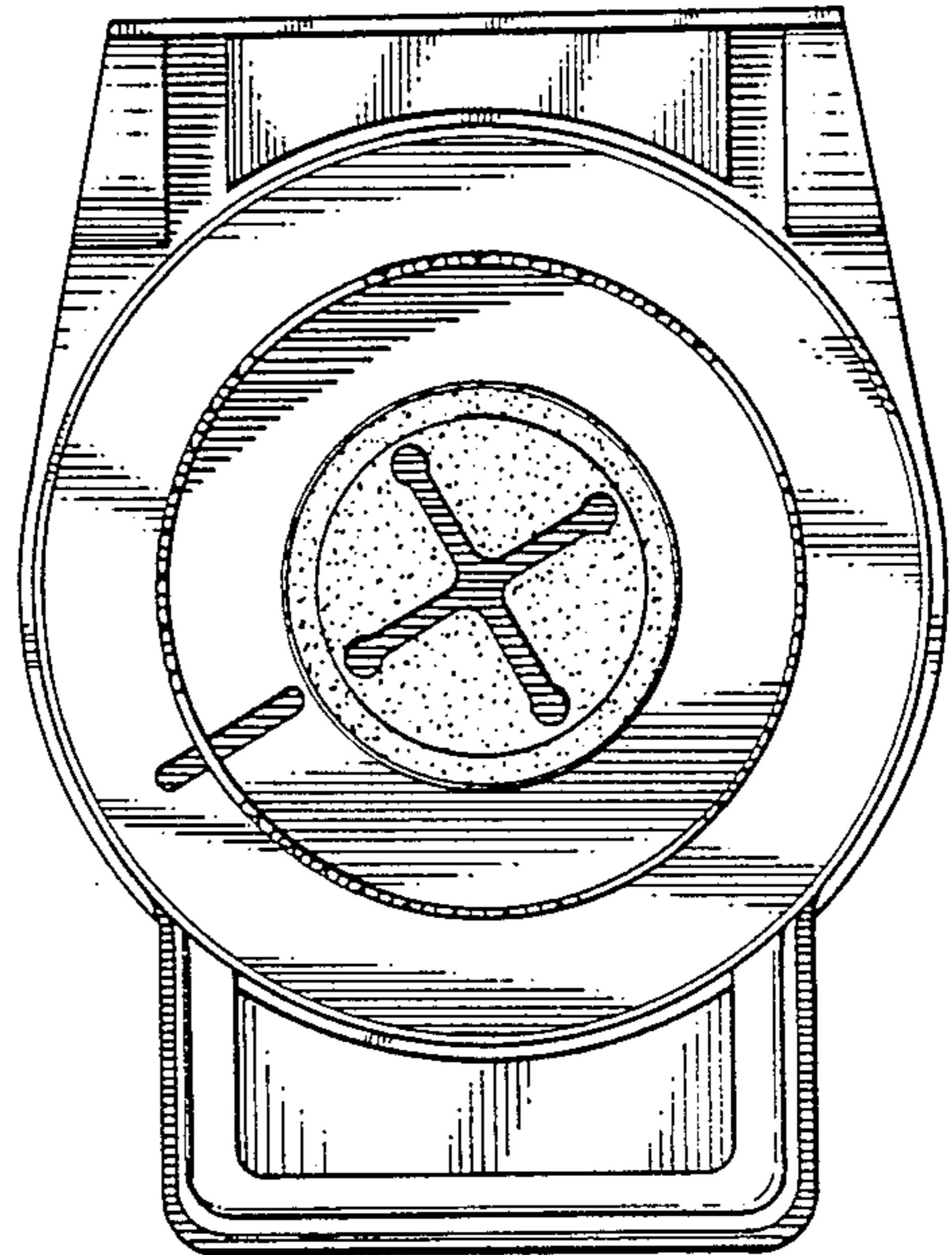


FIG. 3

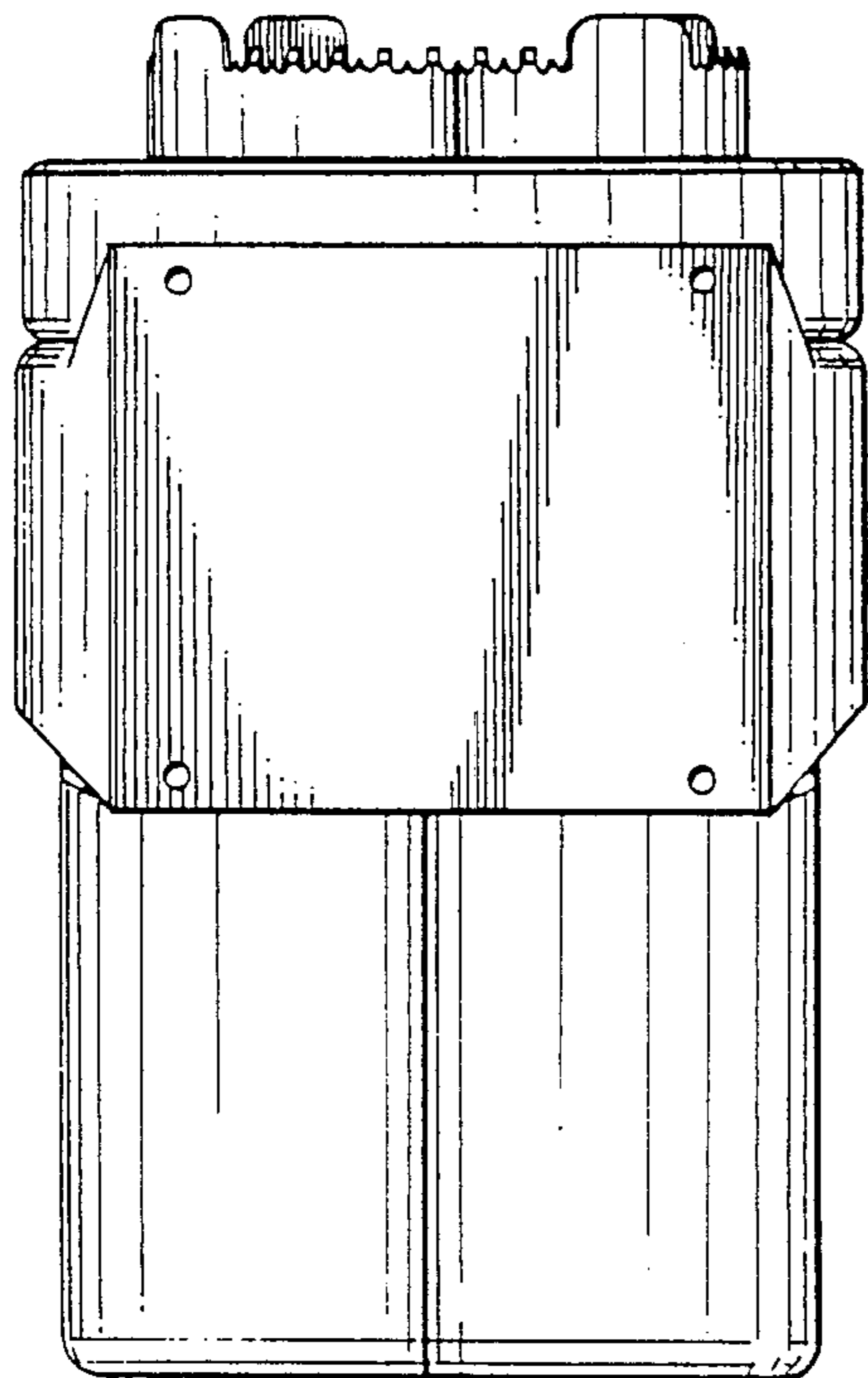


FIG. 6

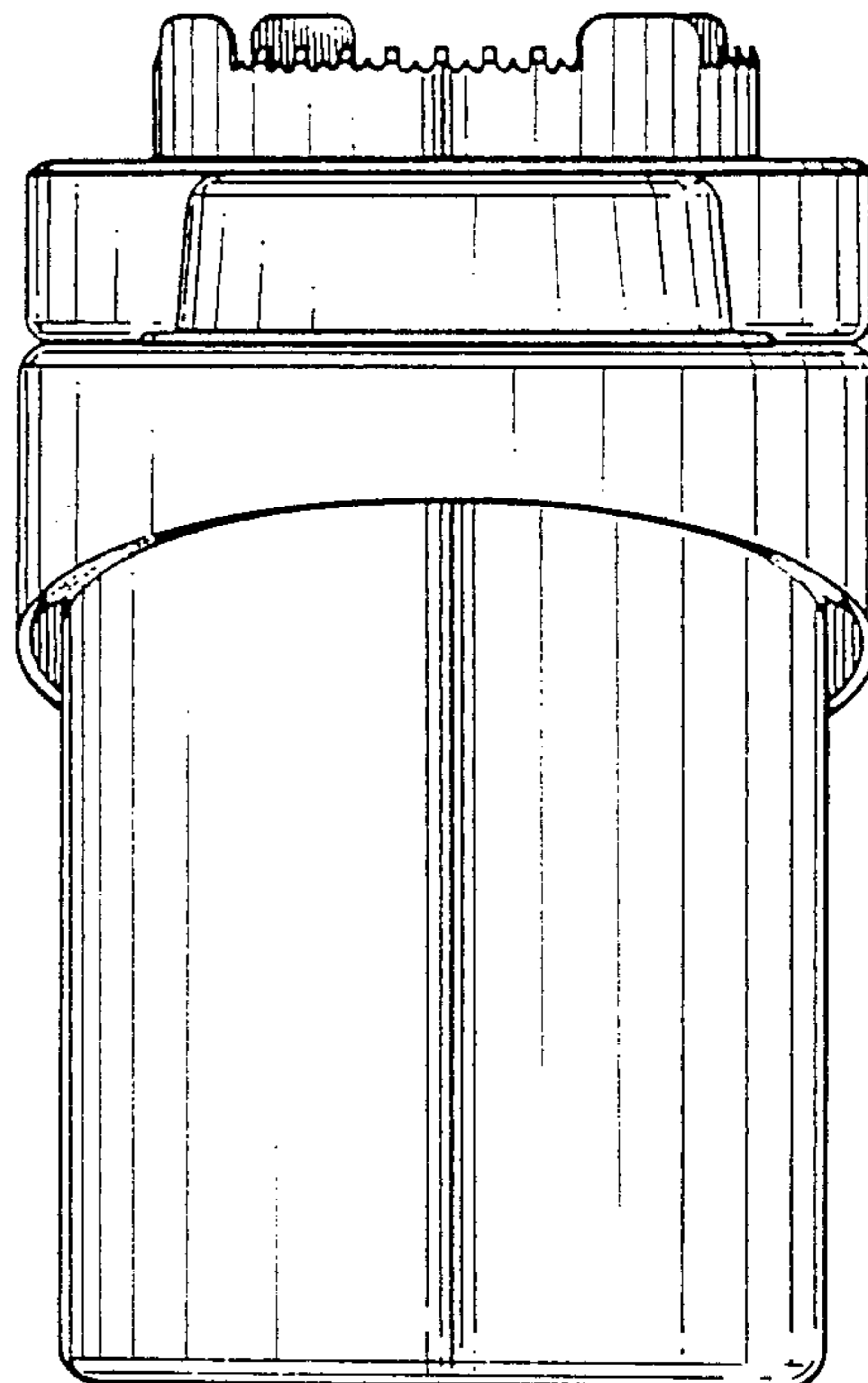


FIG. 5

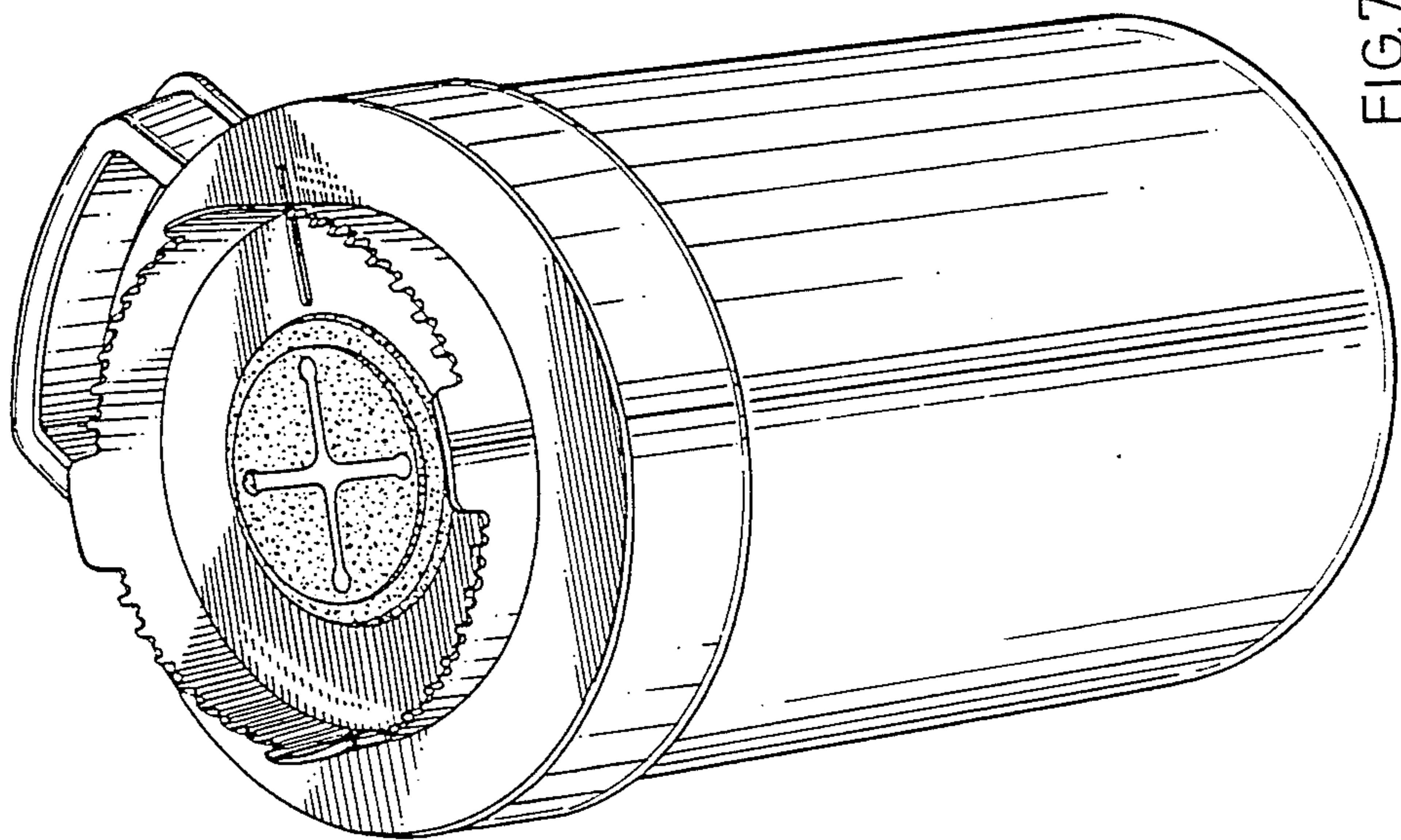


FIG. 7

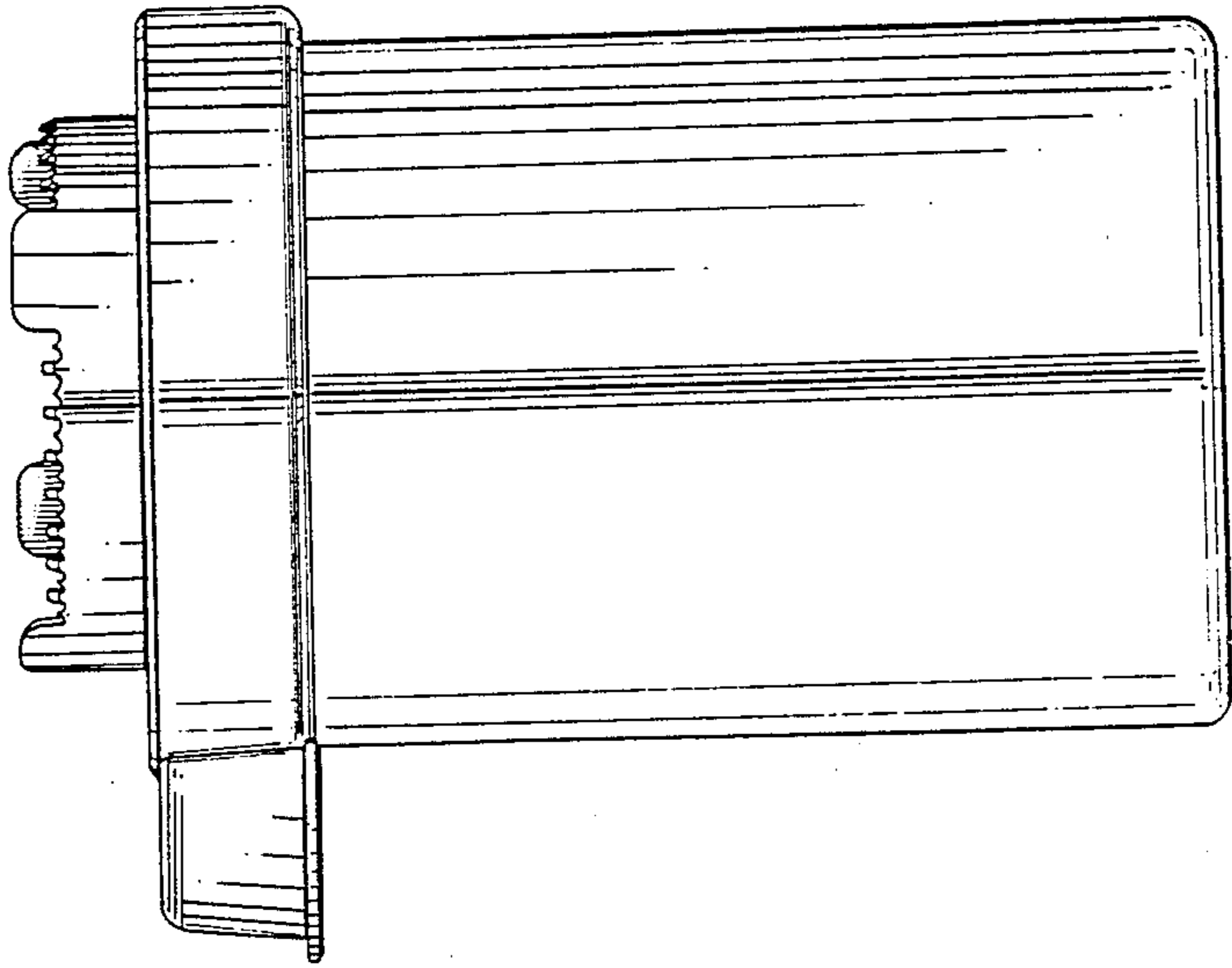


FIG. 8