

United States Patent [19]

Wright et al.

[11] Patent Number: **Des. 293,055**

[45] Date of Patent: **** Dec. 8, 1987**

[54] **SHELF FOR COMPUTER KEYBOARD OR THE LIKE**

[75] Inventors: **David Wright, Shrewsbury; Richard M. Latino, Holden, both of Mass.**

[73] Assignee: **Wright Line Inc., Worcester, Mass.**

[**] Term: **14 Years**

[21] Appl. No.: **697,680**

[22] Filed: **Feb. 4, 1985**

[52] U.S. Cl. **D6/510**

[58] Field of Search **D6/429, 430, 432, 436, D6/449, 474, 510, 511, 479**

[56] **References Cited**

U.S. PATENT DOCUMENTS

D. 280,684 9/1985 Cervero D6/429 X

D. 283,568 4/1986 Valley D6/430 X
D. 284,242 6/1986 Sackett et al. D6/430

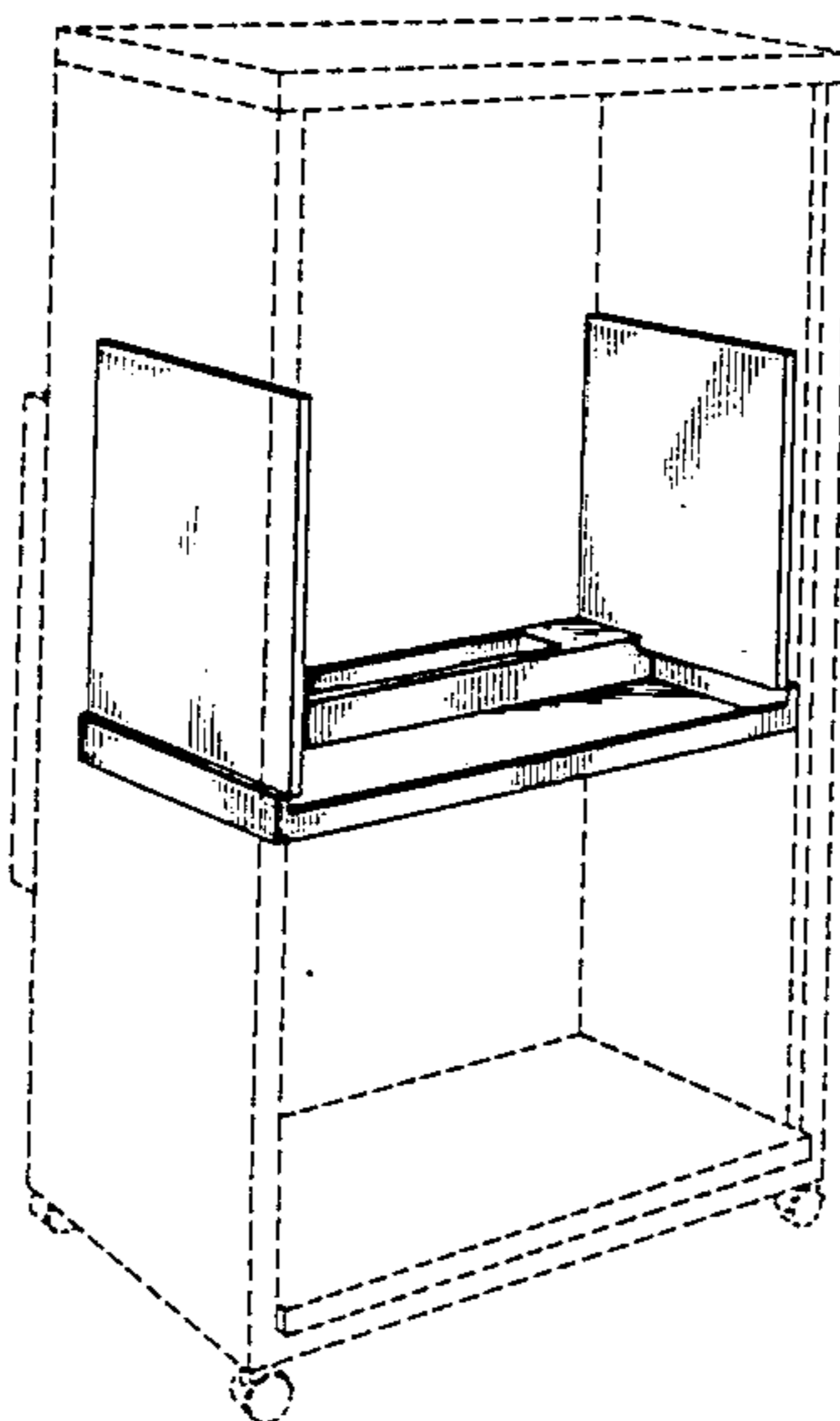
Primary Examiner—Bruce W. Dunkins
Attorney, Agent, or Firm—Milton E. Gilbert

[57] **CLAIM**

The ornamental design for shelf for computer keyboard or the like, as shown and described.

DESCRIPTION

FIG. 1 is a shelf for computer keyboard or the like showing our new design, a work station being shown therein in broken lines for illustrative purposes only; FIG. 2 is a front elevational view; FIG. 3 is a right side elevational view, the undisclosed left side being a mirror image thereof; FIG. 4 is a rear elevational view; FIG. 5 is a top plan view; and FIG. 6 is a bottom plan view thereof.



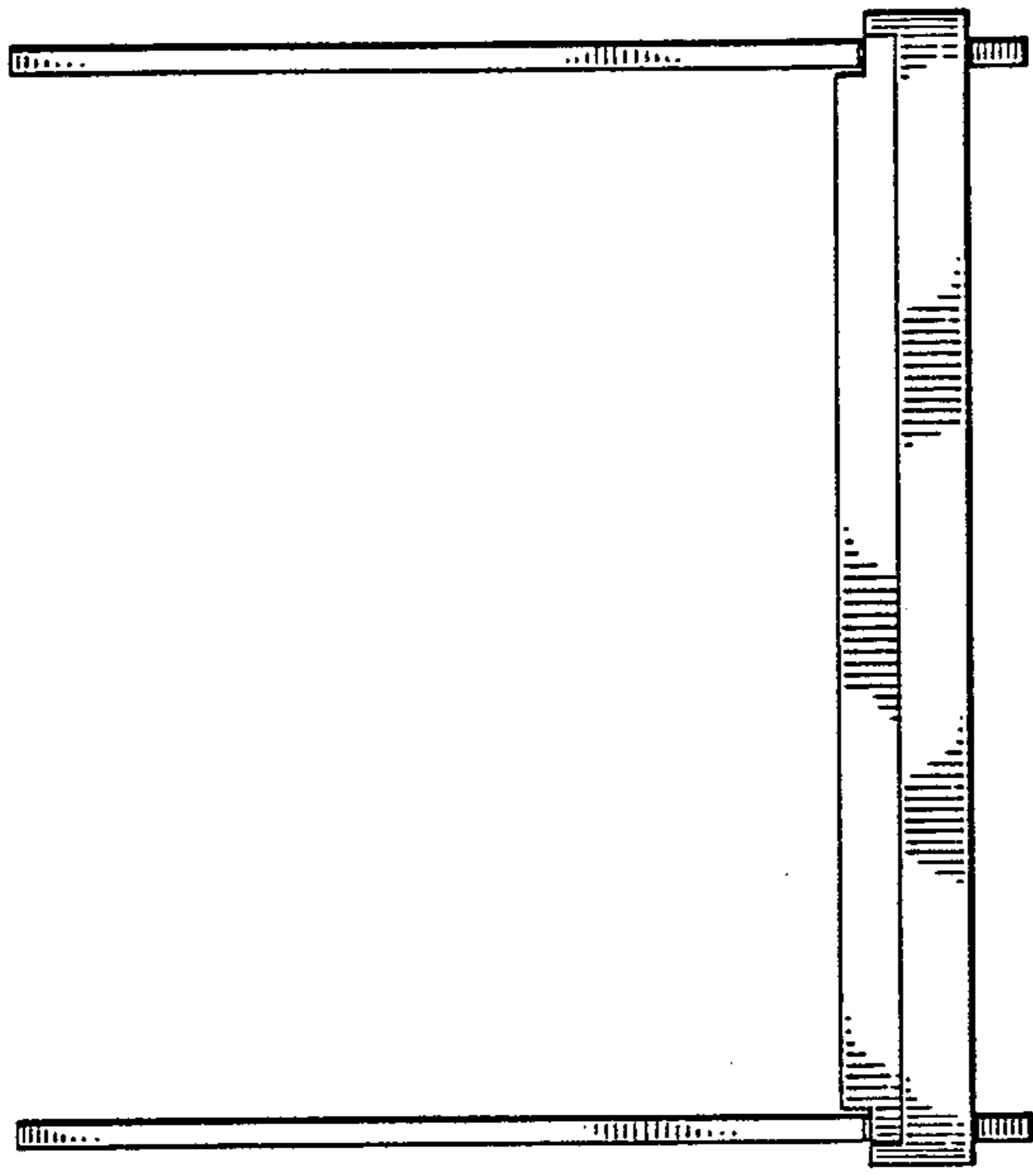


FIG. 2

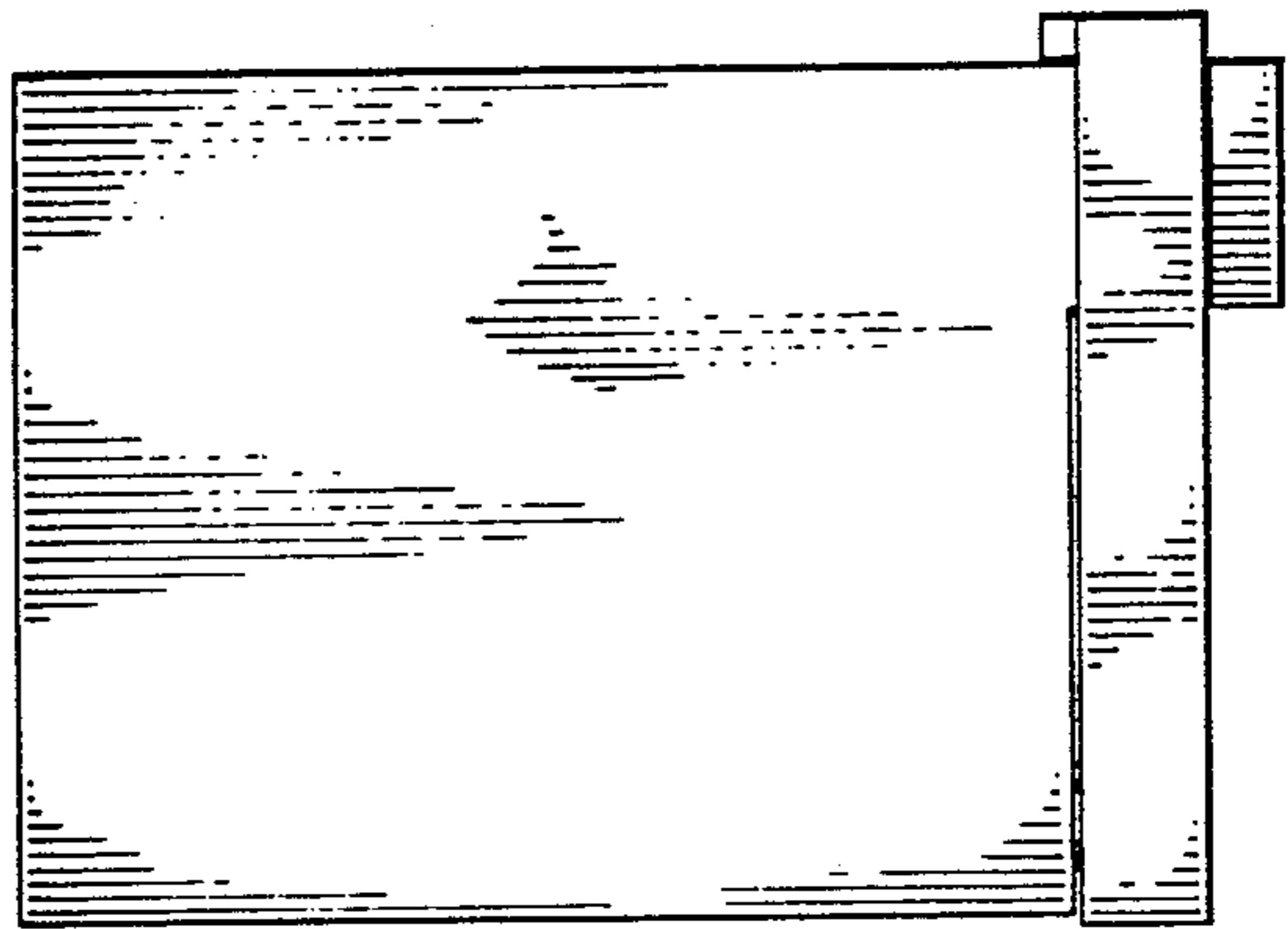


FIG. 3

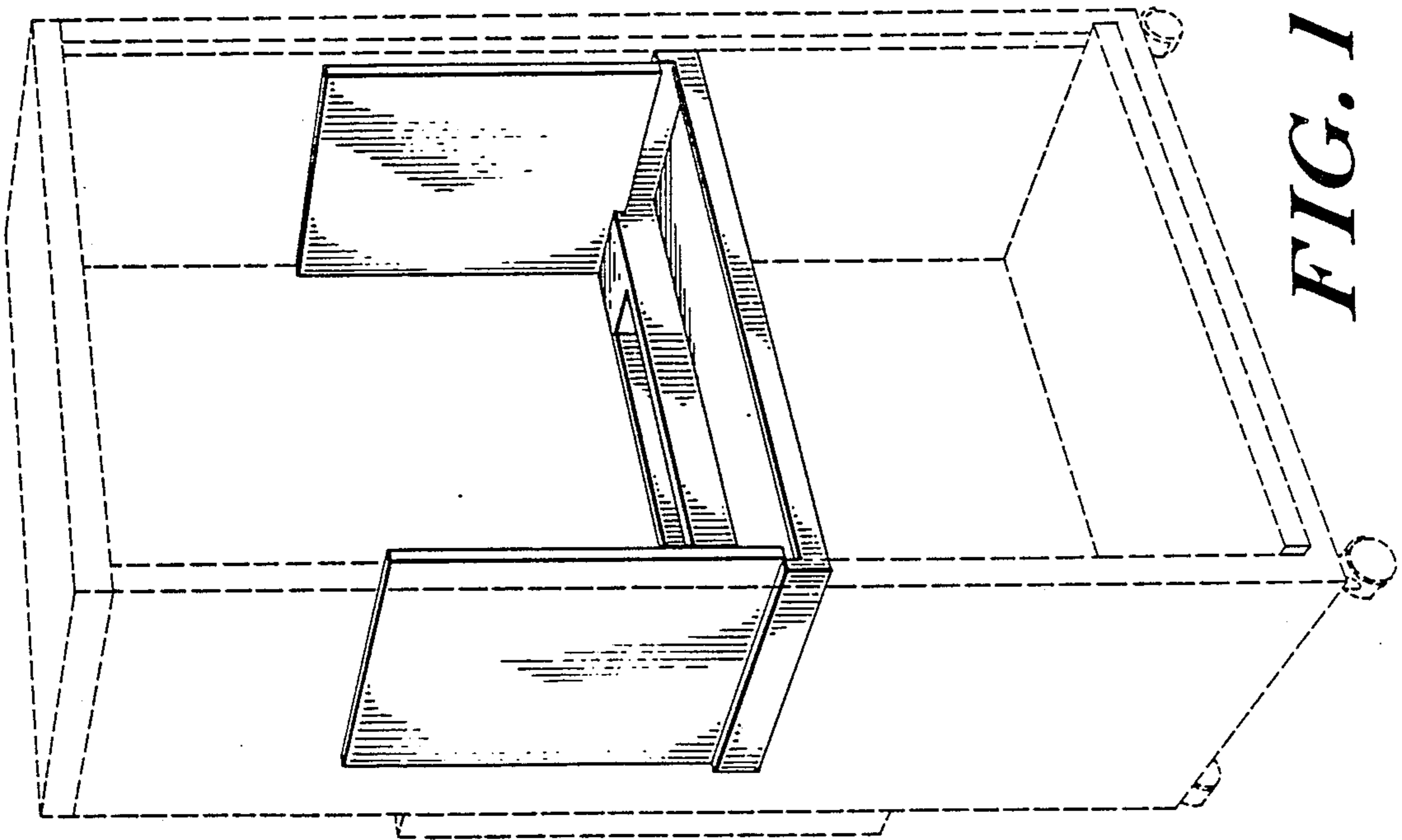


FIG. 1

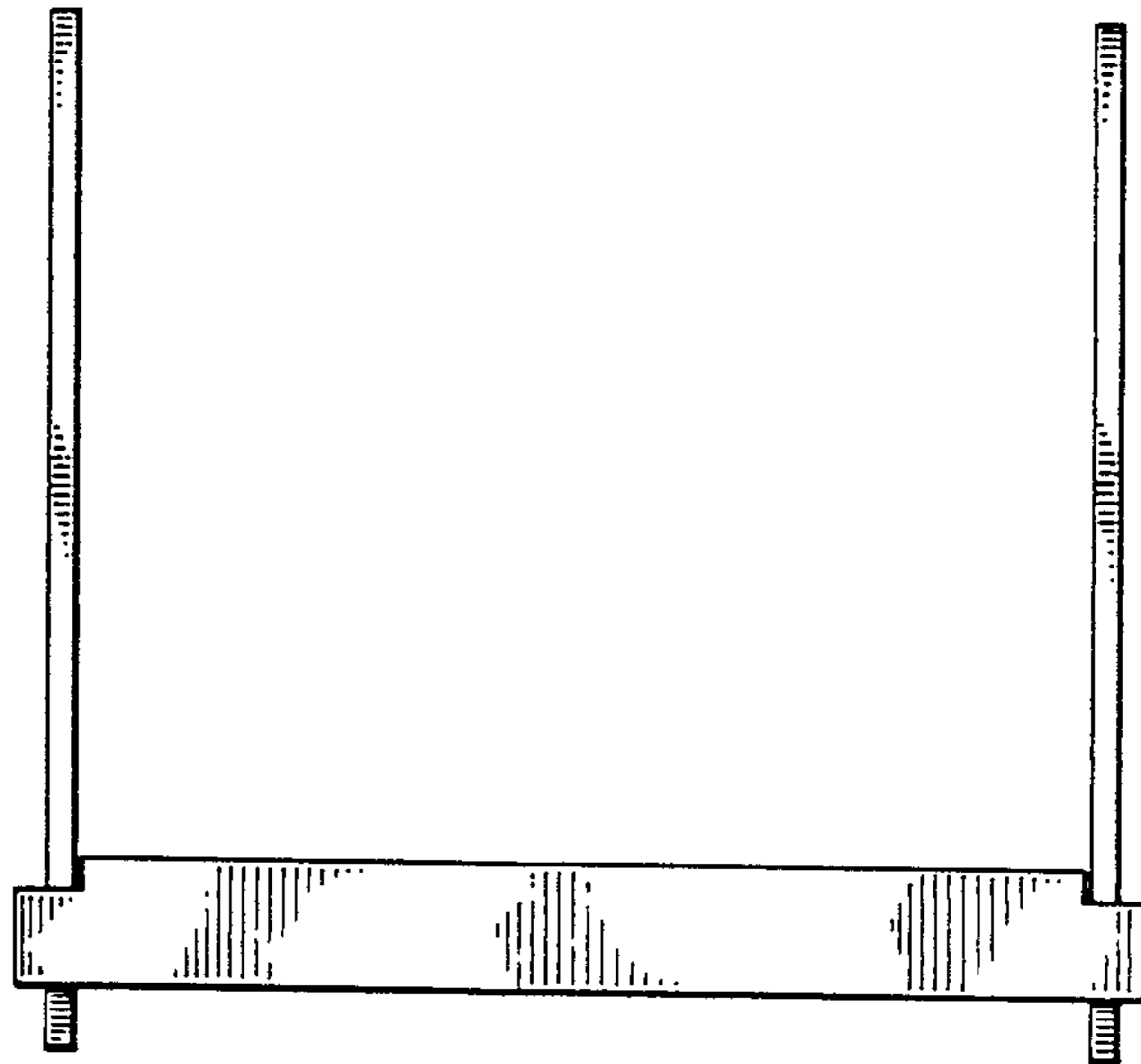


FIG. 4

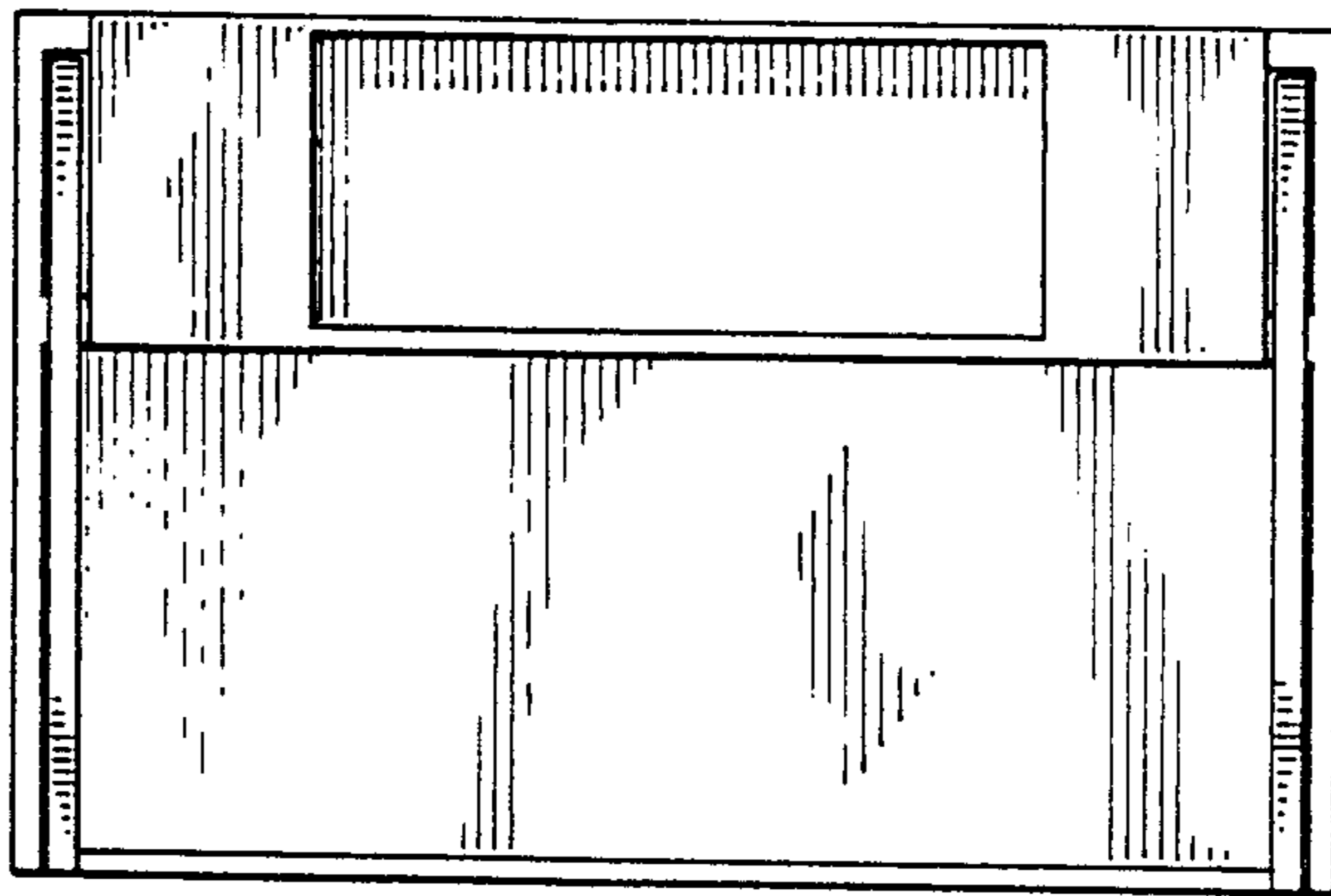


FIG. 5

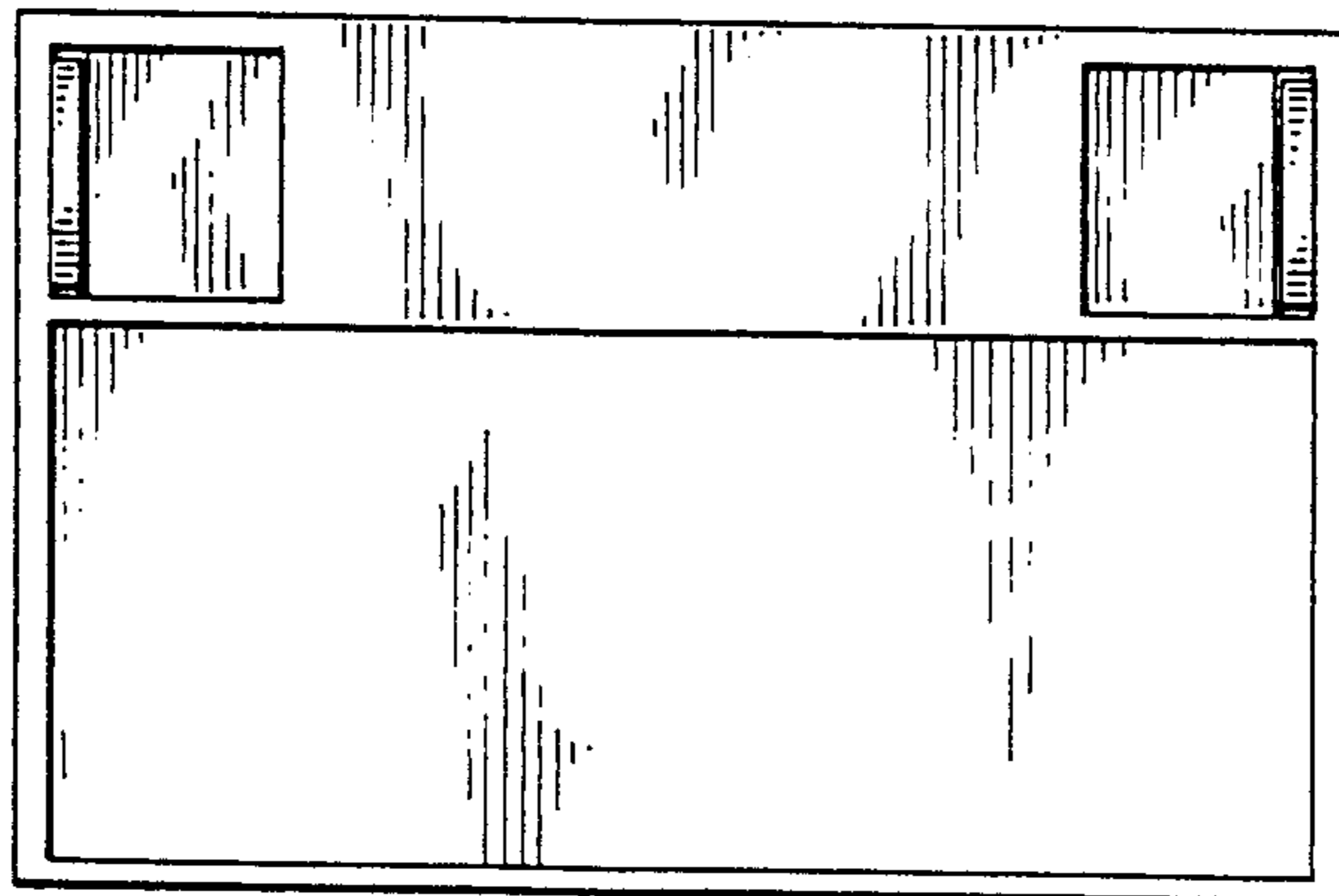


FIG. 6