

United States Patent [19]

Strousse et al.

[11] Patent Number: **Des. 293,054**

[45] Date of Patent: **** Dec. 8, 1987**

[54] CHAISE LOUNGE FRAME OR SIMILAR ARTICLE

[75] Inventors: **Babette L. Strousse**, Manhattan Beach; **Stephen H. Kaminski**, Burbank, both of Calif.

[73] Assignee: **Samsonite Corporation**, Denver, Colo.

[**] Term: **14 Years**

[21] Appl. No.: **649,789**

[22] Filed: **Sep. 11, 1984**

[52] U.S. Cl. **D6/499; D6/361**

[58] Field of Search **D6/334, 349, 361, 367, D6/368, 500**

[56] **References Cited**

U.S. PATENT DOCUMENTS

- | | | | | |
|------------|--------|------------------|-------|--------|
| D. 194,461 | 1/1963 | Schultz | | D6/361 |
| D. 202,184 | 9/1965 | Melchior | | D6/349 |
| D. 208,698 | 9/1967 | Ellsworth et al. | | D6/361 |

- | | | | | |
|------------|---------|---------------|-------|----------|
| D. 211,338 | 6/1968 | Schultz | | D6/361 |
| D. 267,601 | 1/1983 | Hickey | | D6/361 |
| D. 281,744 | 12/1985 | Murry | | D6/361 |
| D. 283,178 | 4/1986 | Cronk | | D6/500 X |
| 2,567,626 | 9/1951 | Trouslet, Jr. | | D6/361 X |

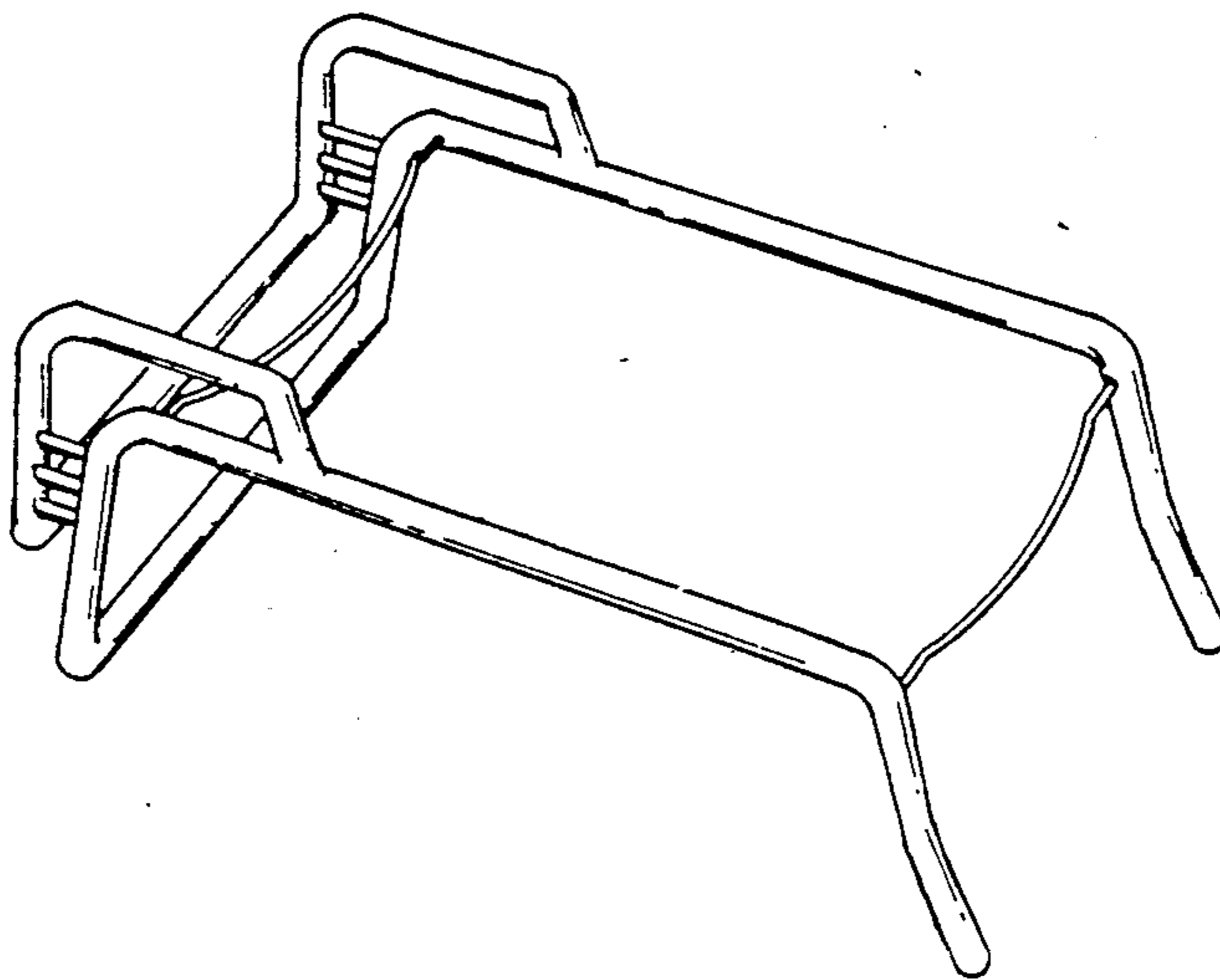
Primary Examiner—Bruce W. Dunkins
Attorney, Agent, or Firm—Gregory W. O'Connor; D. Michael Clayton

[57] **CLAIM**

The ornamental design for a chaise lounge frame or similar article, as shown and described.

DESCRIPTION

FIG. 1 is a side perspective view of a chaise lounge frame or similar article showing our new design; FIG. 2 is a top plan view; FIG. 3 is a bottom plan view; FIG. 4 is a right side perspective view, the opposite side being a mirror image thereof; FIG. 5 is a front perspective view; and FIG. 6 is a rear perspective view thereof.



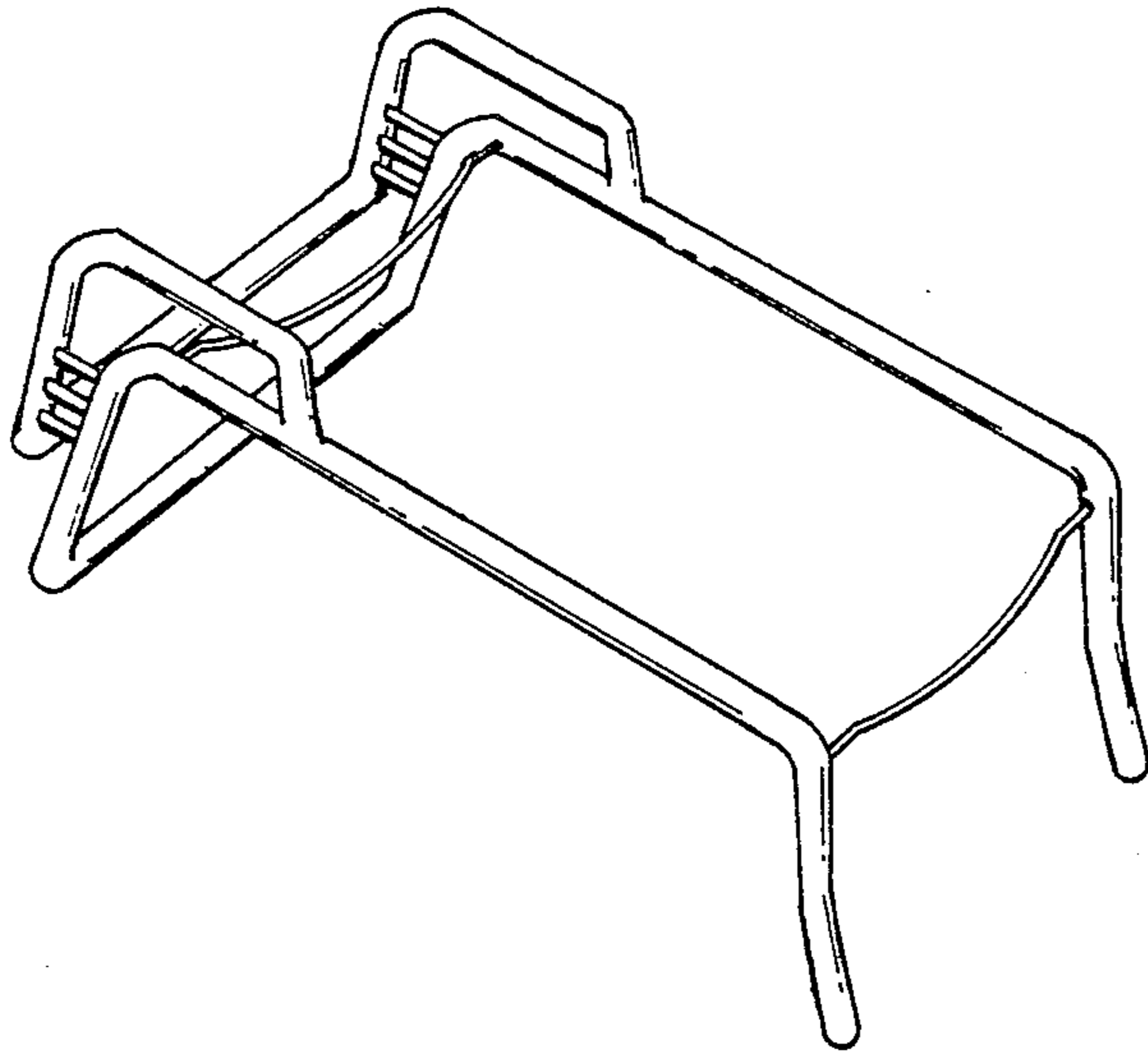


FIG. 1

FIG. 2

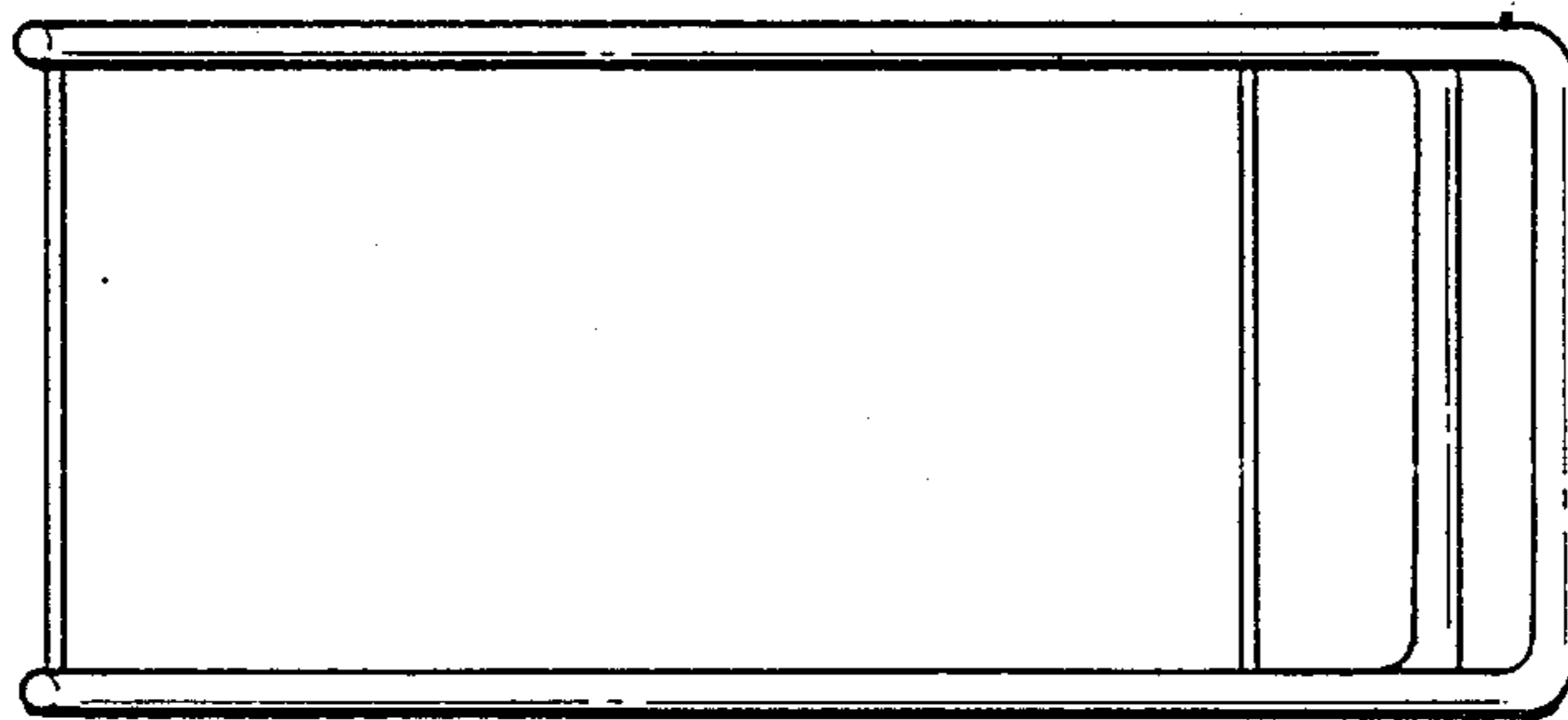
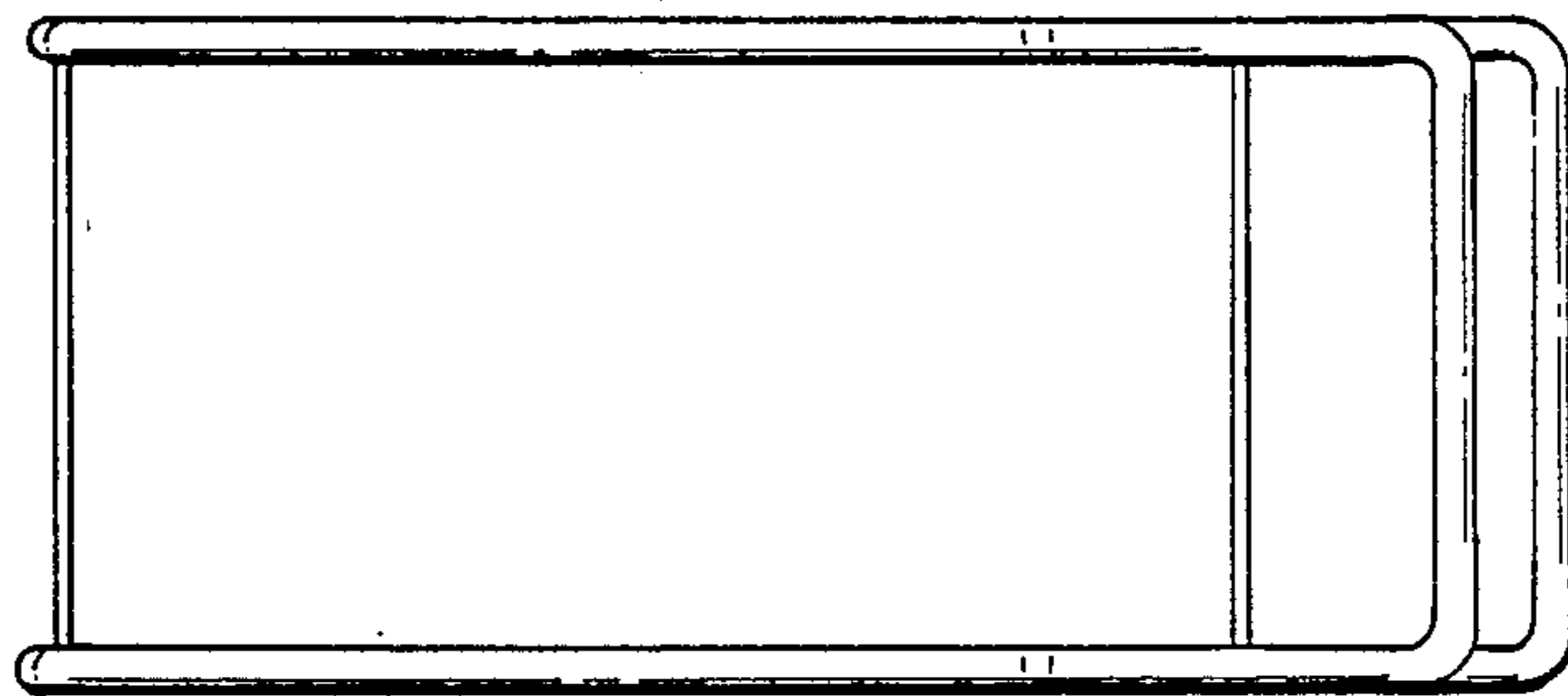


FIG. 3

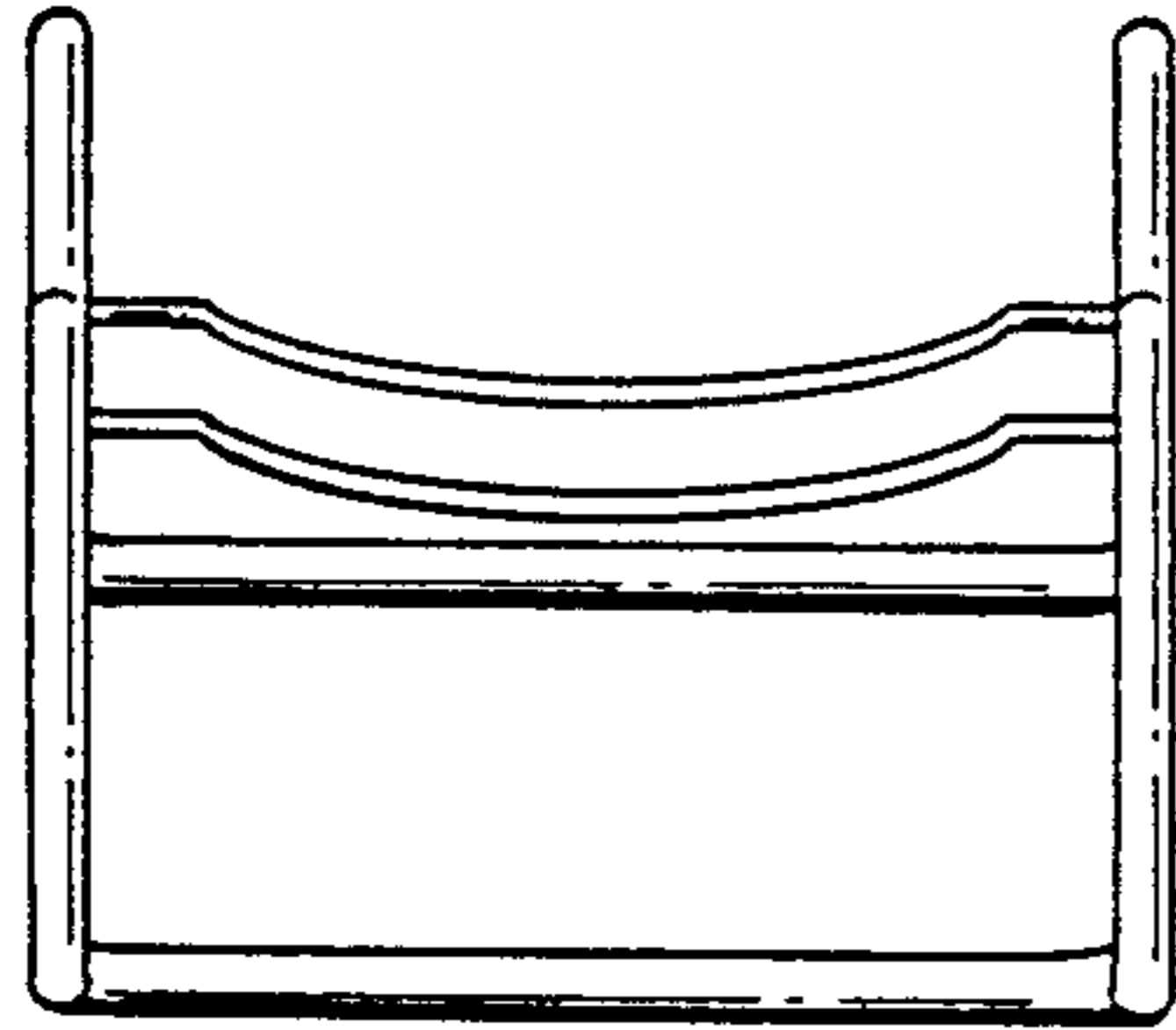


FIG. 5

FIG. 4

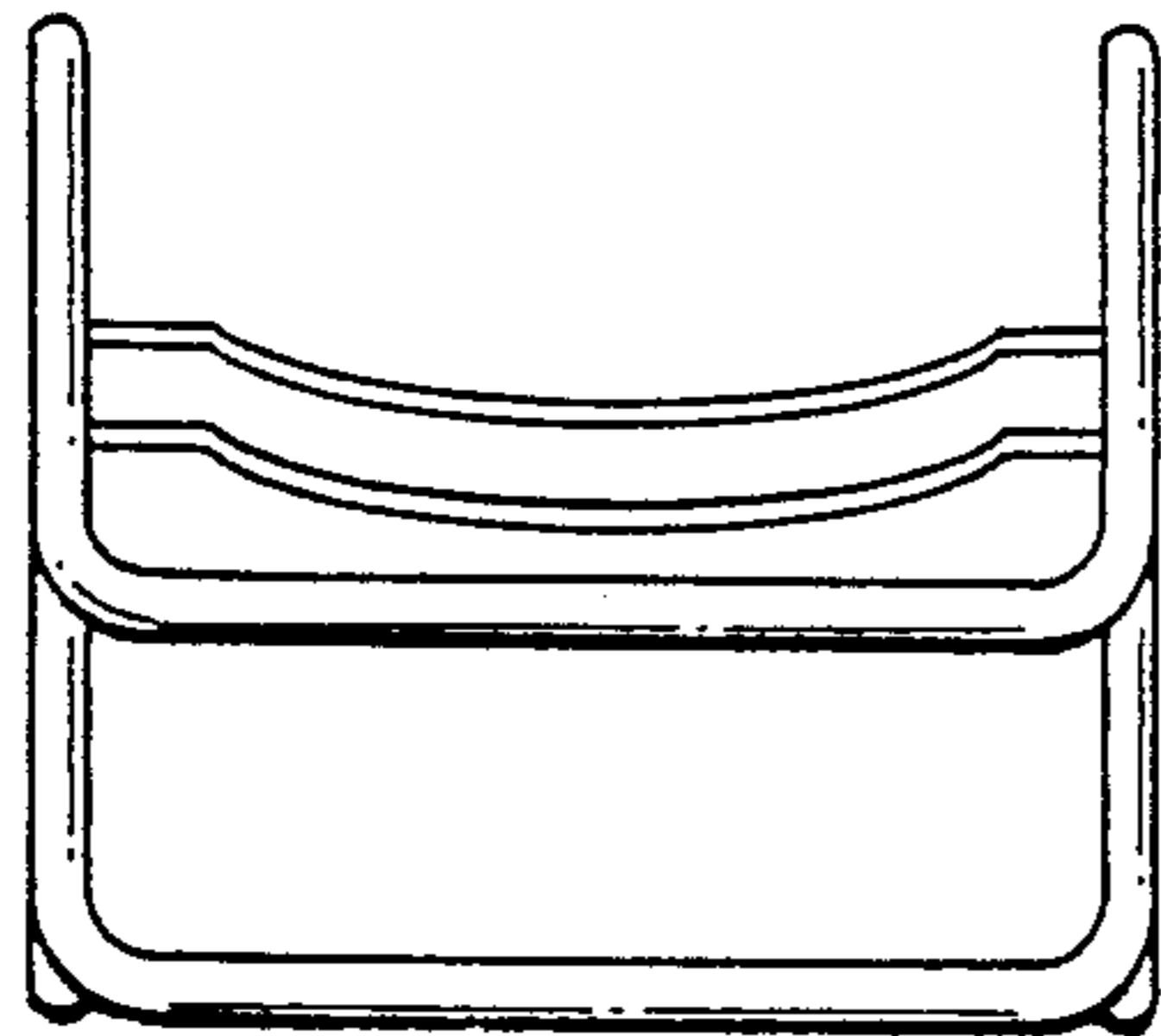
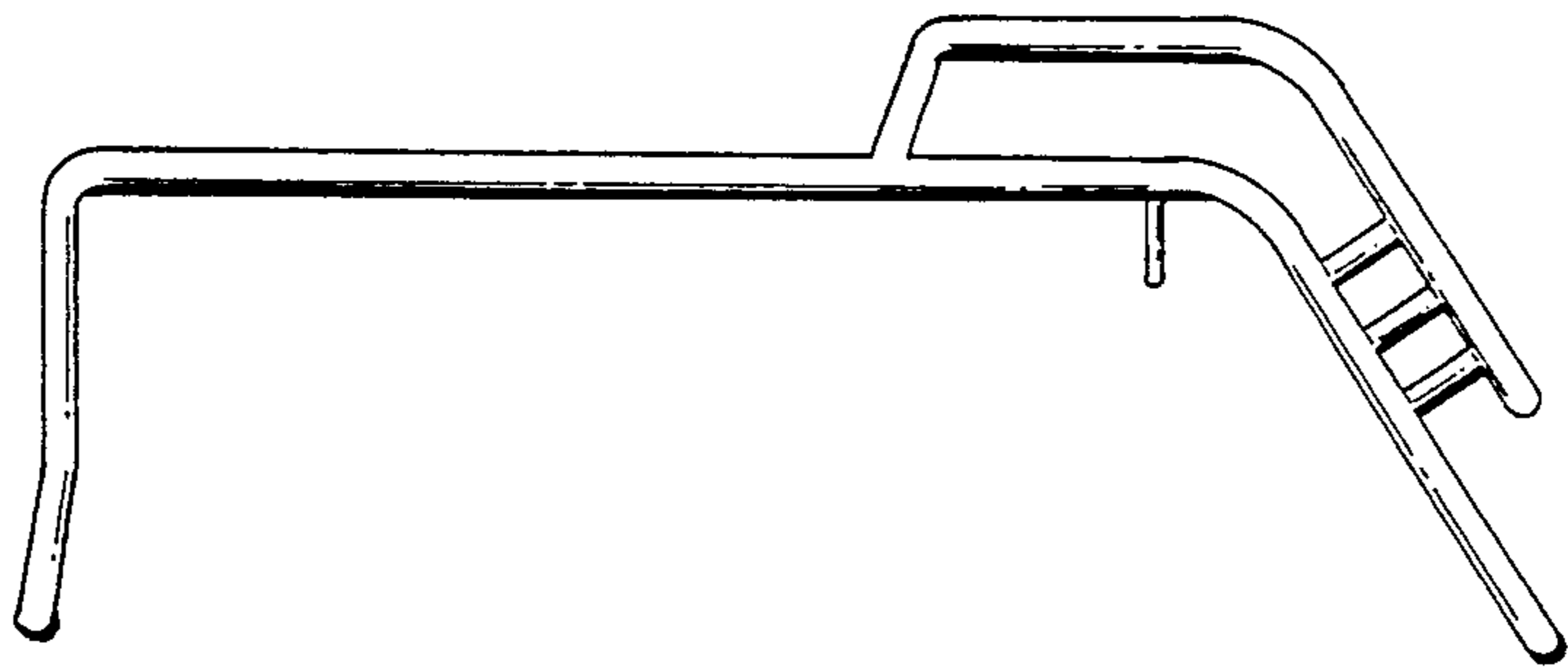


FIG. 6