

# United States Patent [19]

Handler et al.

[11] Patent Number: Des. 293,052

[45] Date of Patent: \*\* Dec. 8, 1987

## [54] ADJUSTABLE SUPPORT STAND

[75] Inventors: Milton E. Handler, Northbrook;  
Richard Sylvan, Glenview; Michael  
Peterson, Evanston, all of Ill.

[73] Assignee: Hirsh Company, Skokie, Ill.

[\*\*] Term: 14 Years .

[21] Appl. No.: 732,915

[22] Filed: May 13, 1985

[52] U.S. Cl. .... D6/431

[58] Field of Search ..... D6/418, 431, 462, 489,  
D6/495; 248/127, 158, 161, 188.7, 194; 108/115

## [56] References Cited

### U.S. PATENT DOCUMENTS

D. 229,132	11/1973	Uroshevich	.....	D6/431
D. 252,780	9/1979	Green	.....	D6/462
D. 253,323	11/1979	Blatzer et al.	.....	D6/431
D. 268,458	4/1983	Schoenig	.....	D6/431
D. 274,782	7/1984	Little	.....	D6/495 X
D. 282,320	1/1986	Anderson	.....	D6/489 X

## OTHER PUBLICATIONS

Sears, Roebuck & Co. Cat. No. 9-2955, ©1959, p. 173,  
Roller Support, lower center.

Magazine advertisement illustrating "Marvco-Rol-  
mate".

Magazine advertisement illustrating "Adjustable  
Height Roller Stand" and "New Roller Table".

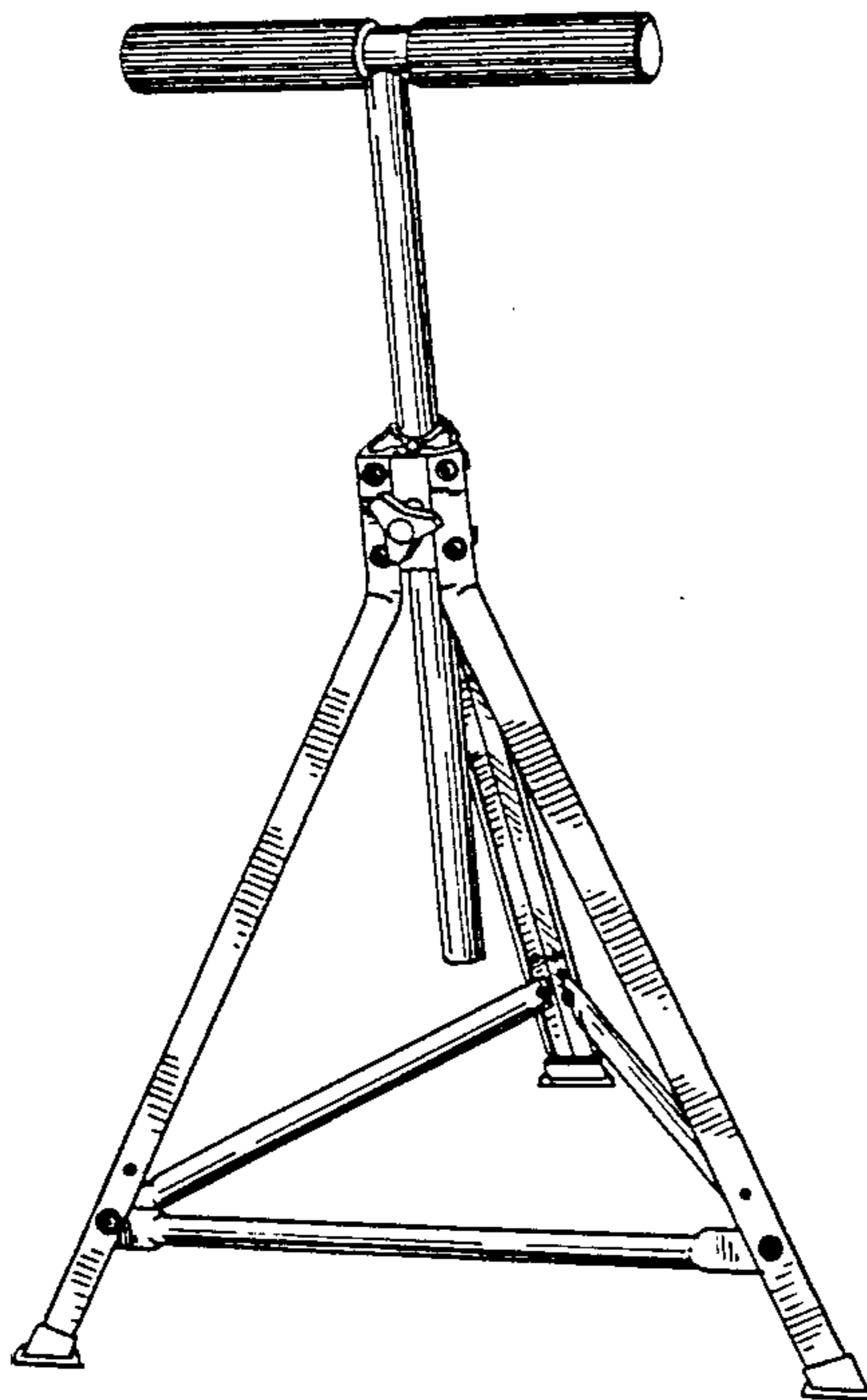
Primary Examiner—Bruce W. Dunkins  
Attorney, Agent, or Firm—Dressler, Goldsmith, Shore,  
Sutker & Milnamow, Ltd.

## [57] CLAIM

The ornamental design for an adjustable support stand,  
substantially as shown and described.

## DESCRIPTION

FIG. 1 is a perspective view taken from the front of an  
adjustable support stand showing our new design;  
FIG. 2 is a right side elevational view thereof, the left  
side elevational view thereof being a mirror image ex-  
cept for the lobes of the knob which would appear in a  
slightly different orientation as can be readily ascer-  
tained from FIG. 1;  
FIG. 3 is a top plan view thereof; and  
FIG. 4 is a rear elevational view thereof.



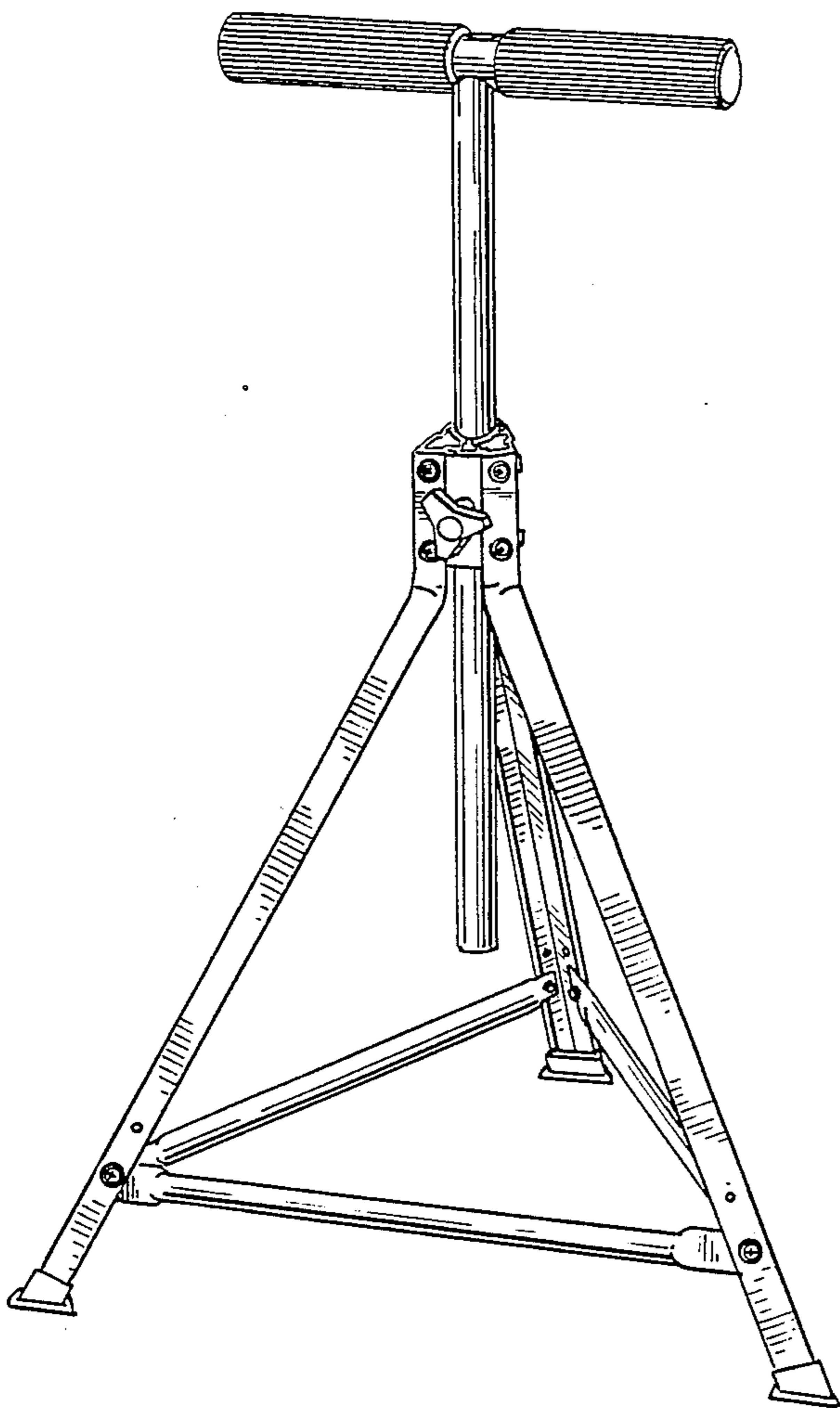


FIG. 1

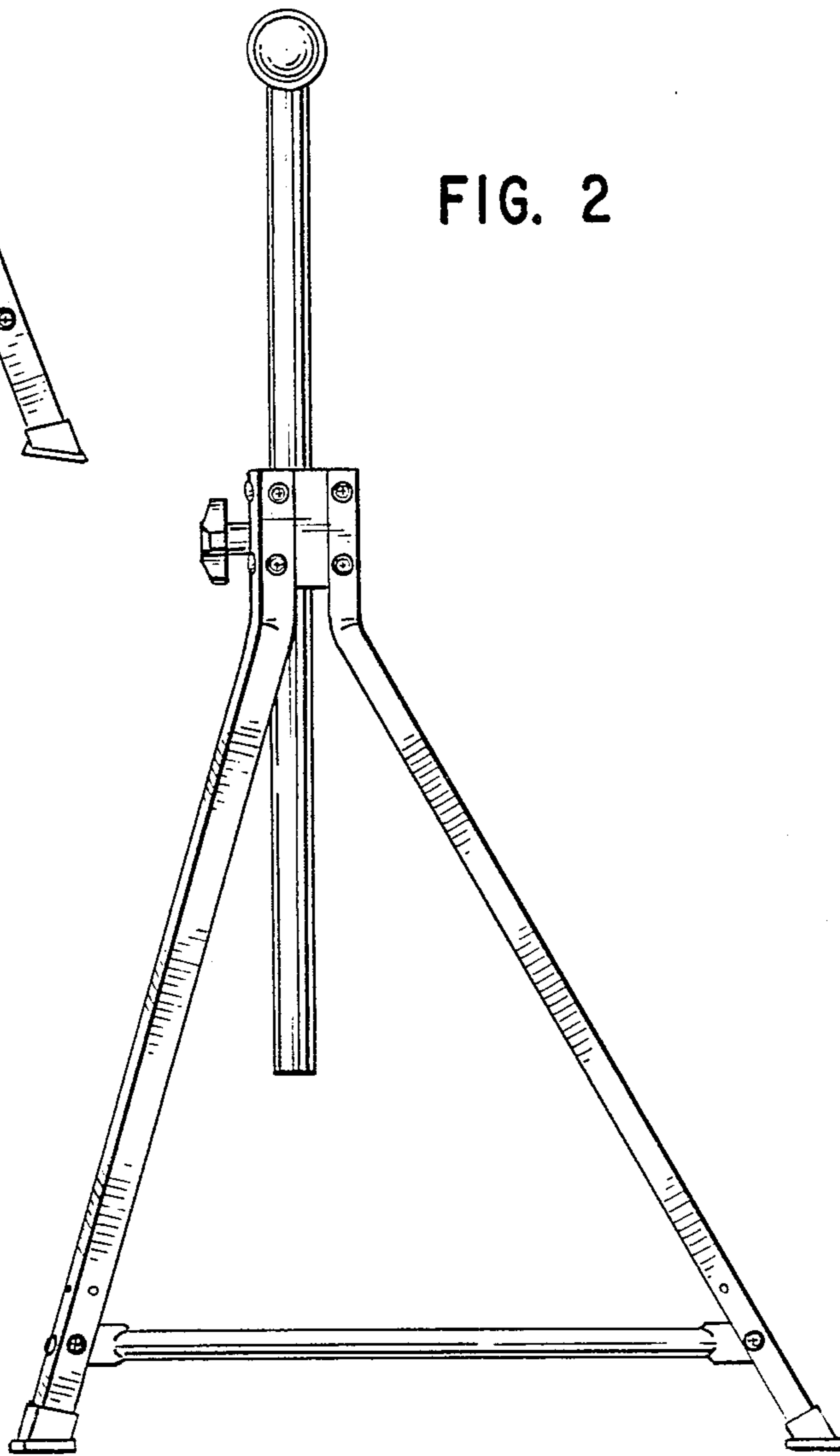


FIG. 2

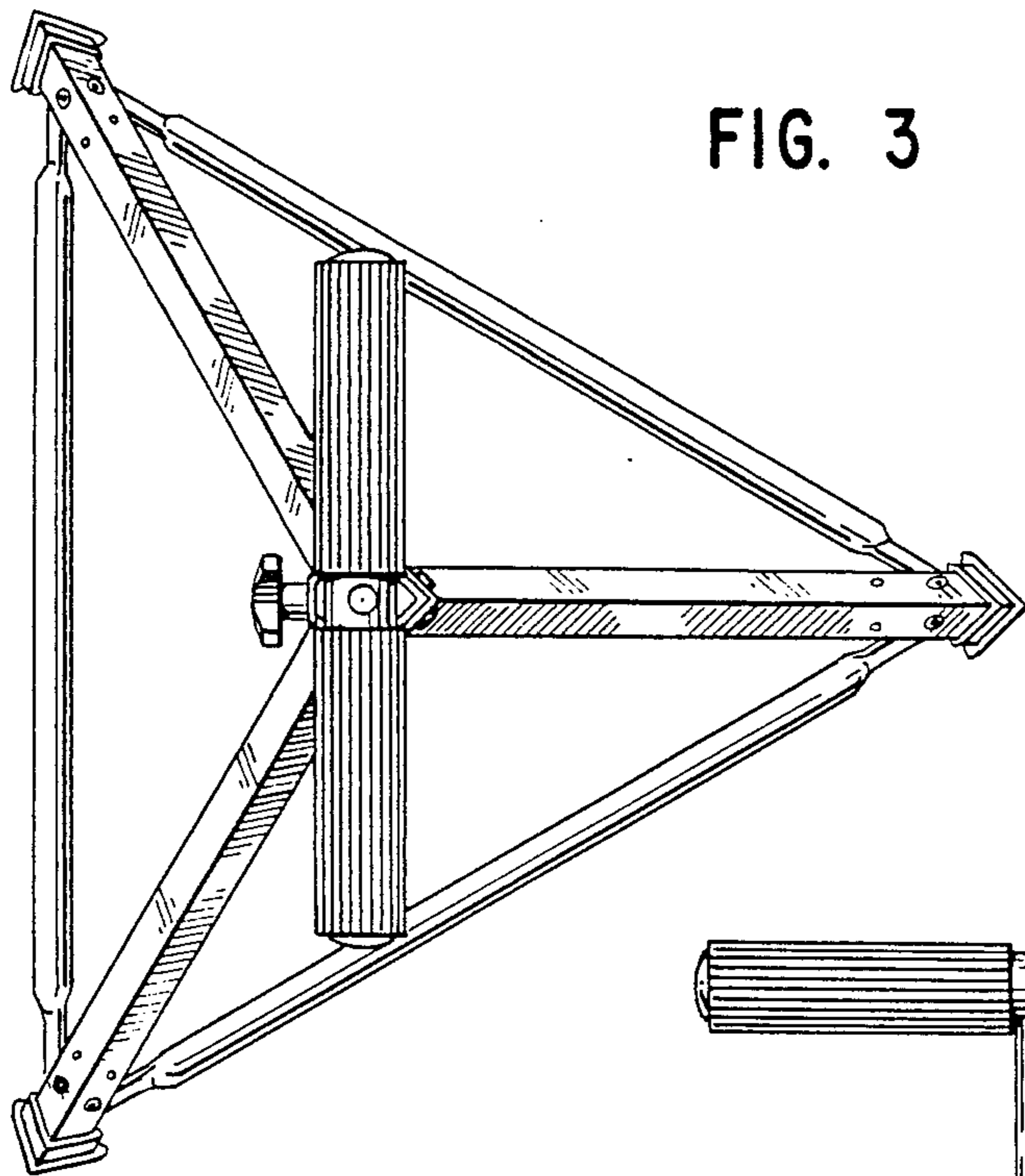


FIG. 3

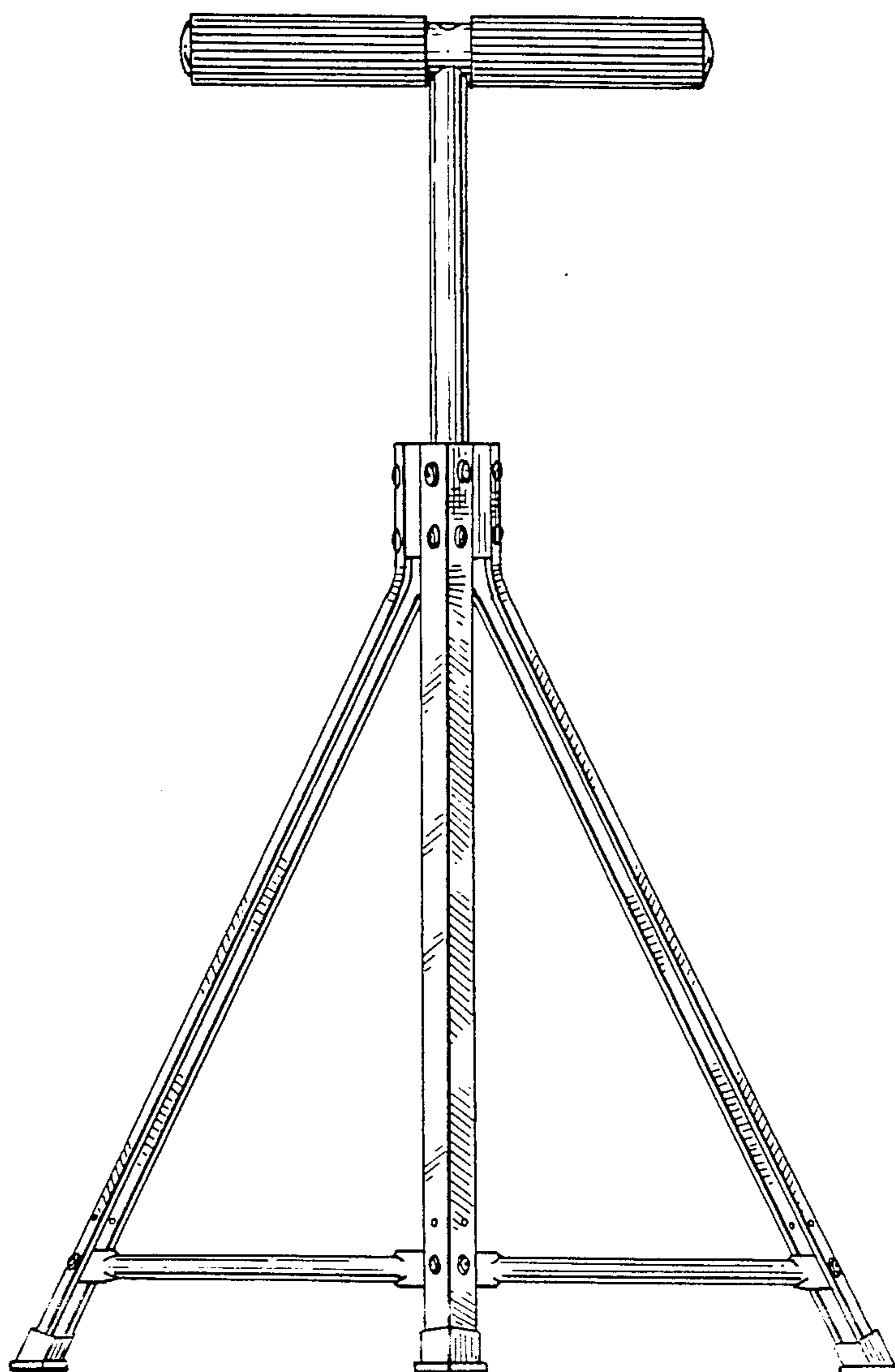


FIG. 4