

United States Patent [19]

Lemmeyer et al.

[11] Patent Number: Des. 293,051

[45] Date of Patent: ** Dec. 8, 1987

[54] TABLE

[75] Inventors: Gary R. Lemmeyer, East Aurora;
Gordon W. Kamman, Elma, both of
N.Y.

[73] Assignee: The Quaker Oats Company, Chicago,
Ill.

[**] Term: 14 Years

[21] Appl. No.: 756,023

[22] Filed: Jul. 17, 1985

[52] U.S. Cl. D6/484; D6/449

[58] Field of Search D6/429, 430, 396, 429,
D6/430, 480, 484; 108/115, 117

[56] References Cited

U.S. PATENT DOCUMENTS

D. 264,410 5/1982 Lange D6/484
D. 270,317 8/1983 Fleming D6/484

D. 278,577 4/1985 Gwathmey D6/484
D. 281,555 12/1985 Levy D6/429 X
D. 284,339 6/1986 Berry, Jr. D6/484 X
D. 286,479 11/1986 Marchesini D6/484

Primary Examiner—Bruce W. Dunkins
Attorney, Agent, or Firm—Cumpston & Shaw

[57] CLAIM

The ornamental design for a table, substantially as shown and described.

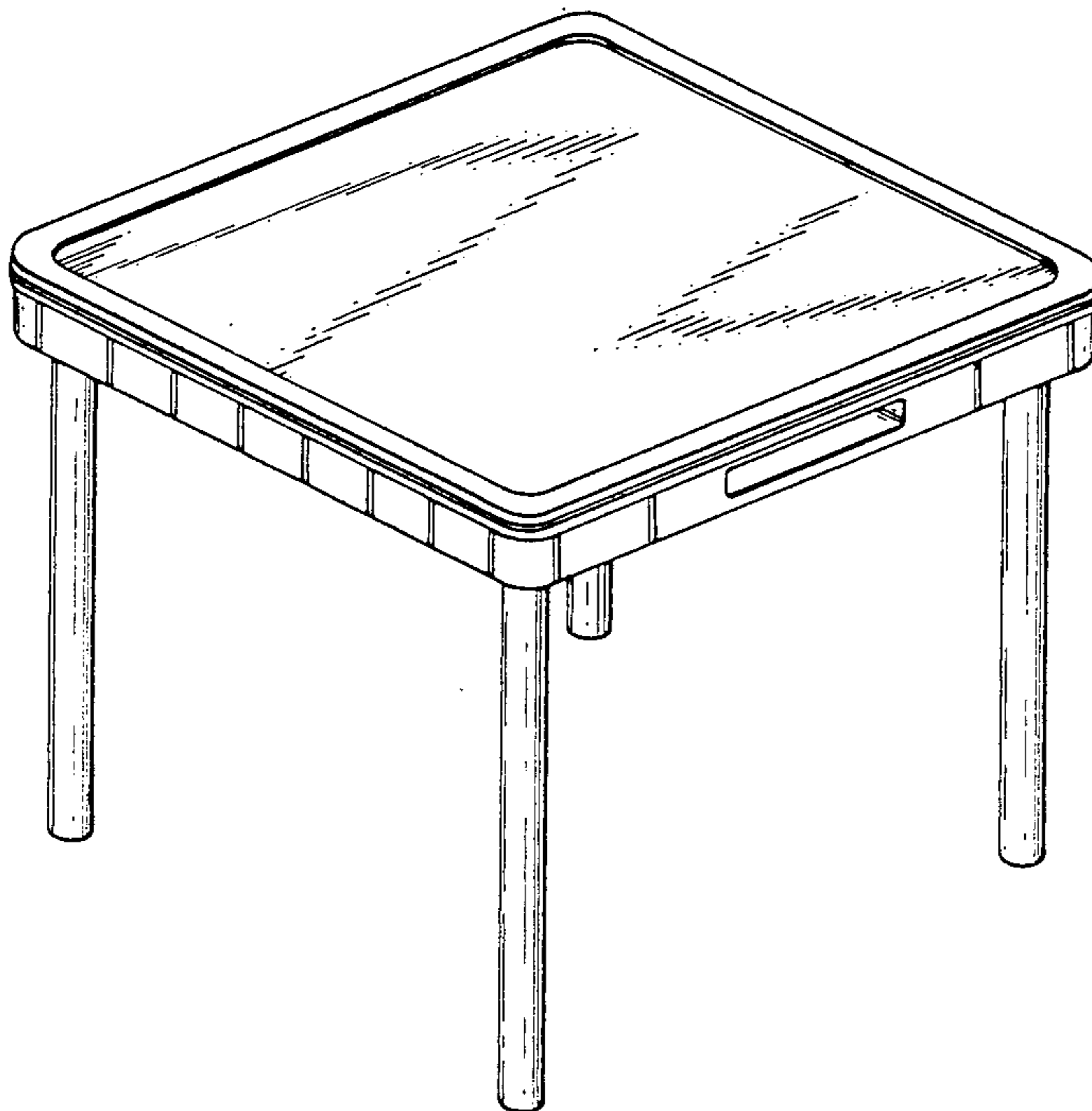
DESCRIPTION

FIG. 1 is a perspective view of a table showing our new design;

FIG. 2 is a right-side elevational view thereof, the left-side being substantially a mirror image;

FIG. 3 is a fragmentary front elevational view thereof with the lower portion of the legs omitted for convenience of illustration; and

FIG. 4 is a bottom plan view thereof.



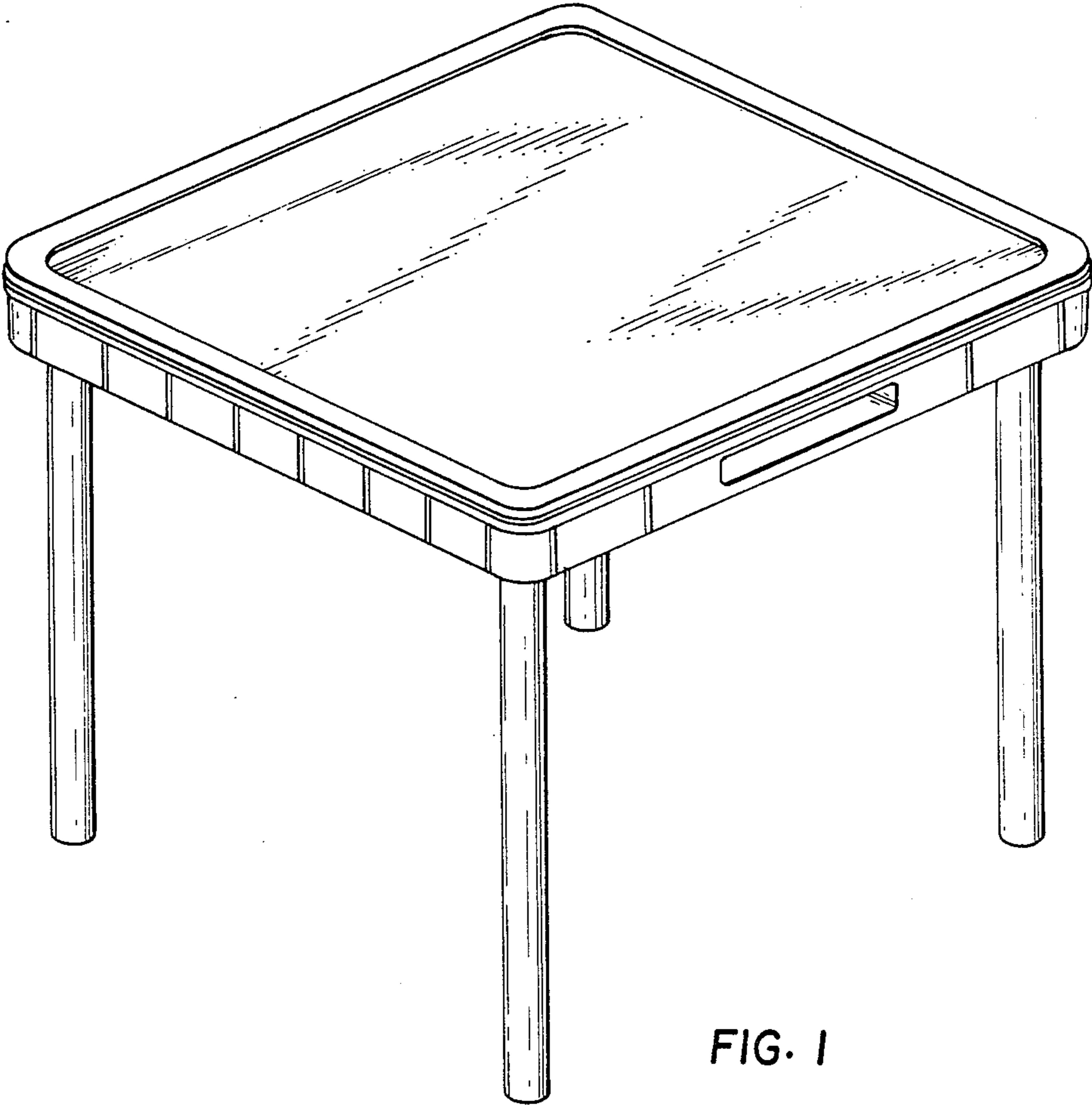


FIG. 1

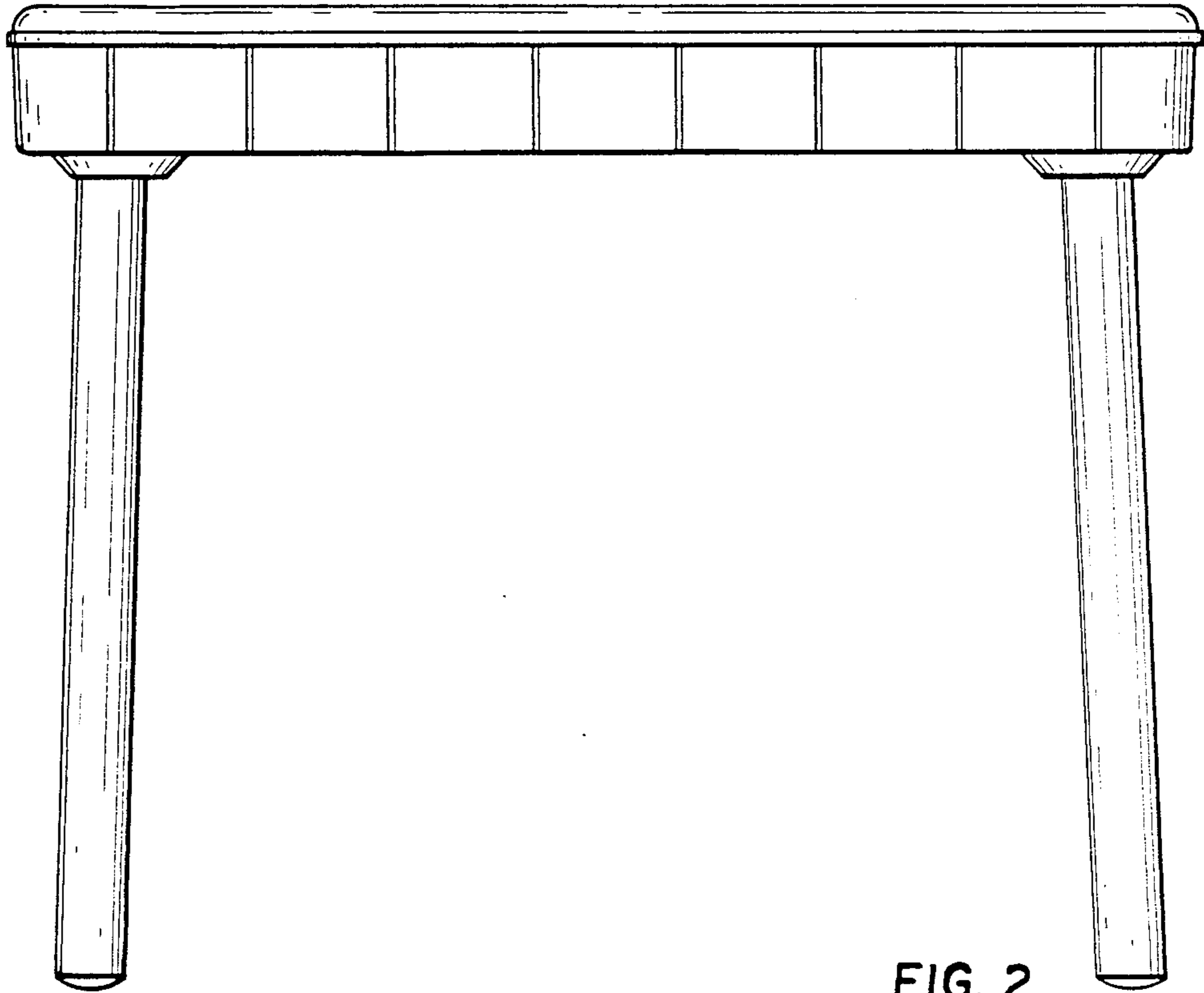


FIG. 2

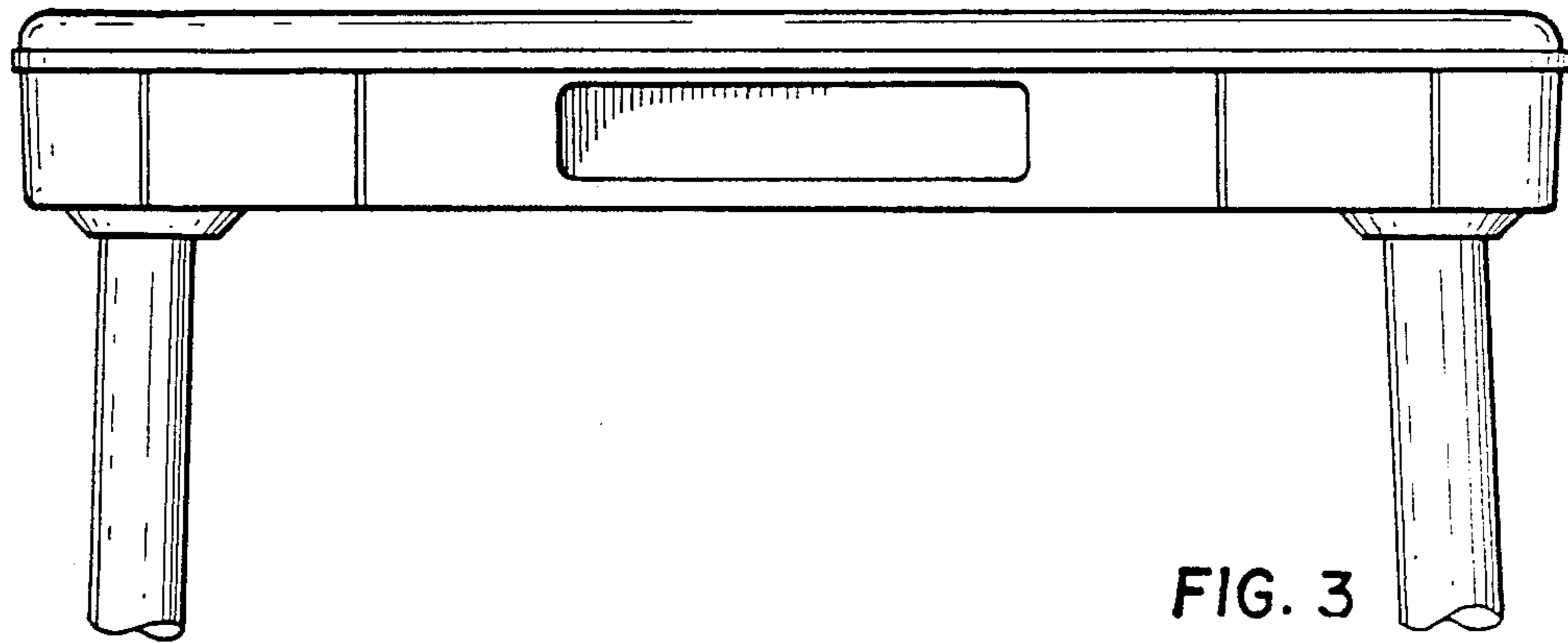


FIG. 3

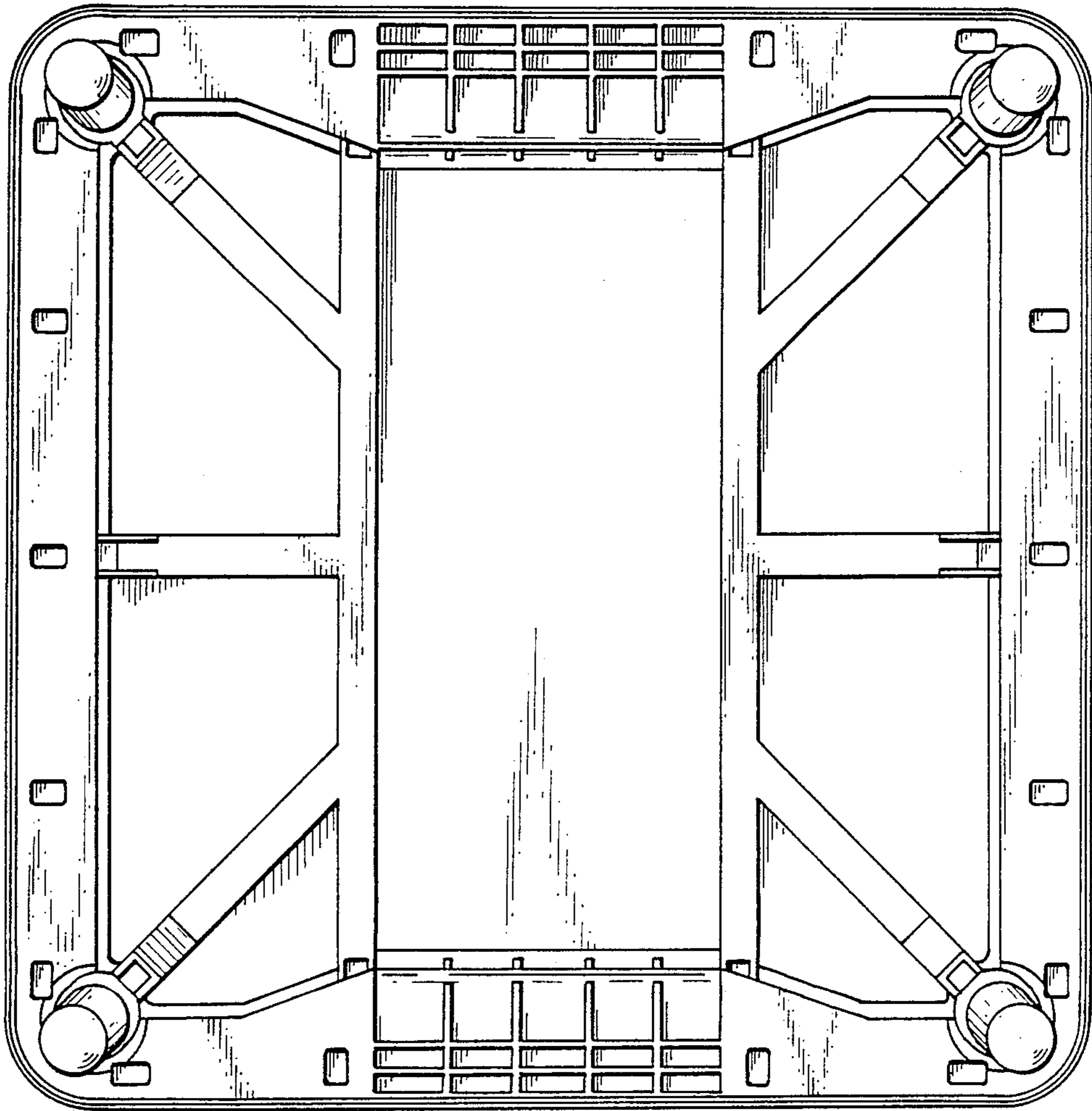


FIG. 4