

# United States Patent [19]

Lemmeyer et al.

[11] Patent Number: Des. 293,050

[45] Date of Patent: \*\* Dec. 8, 1987

[54] CHAIR

[75] Inventors: Gary R. Lemmeyer, East Aurora;  
Gordon W. Kamman, Elma, both of  
N.Y.

[73] Assignee: The Quaker Oats Company, Chicago,  
Ill.

[\*\*] Term: 14 Years

[21] Appl. No.: 756,022

[22] Filed: Jul. 17, 1985

[52] U.S. Cl. .... D6/373

[58] Field of Search ..... D6/334, 372, 373, 379,  
D6/380; 297/239, 248, 440, 445

[56] References Cited

## U.S. PATENT DOCUMENTS

D. 236,862 9/1975 Grosfillex ..... D6/380

D. 243,425 2/1977 Gibson ..... D6/373

D. 276,681 11/1984 McKay ..... D6/373

D. 286,589 11/1986 Petitt ..... D6/373

3,697,130 10/1972 Barecki et al. .... 297/248

4,290,645 9/1981 Glickman et al. .... 297/239

*Primary Examiner*—Bruce W. Dunkins  
*Attorney, Agent, or Firm*—Cumpston & Shaw

## [57] CLAIM

The ornamental design for a chair, substantially as shown and described.

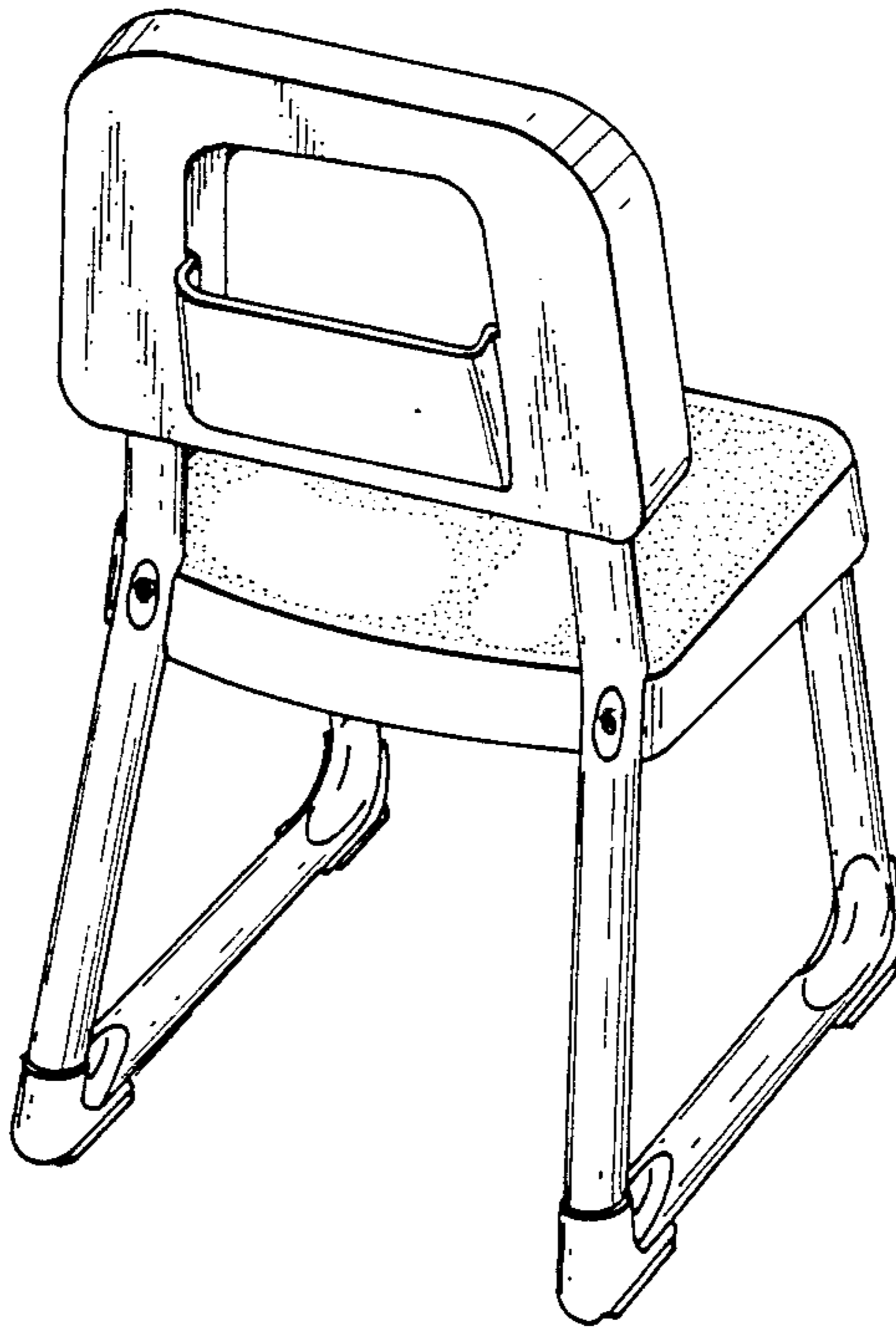
## DESCRIPTION

FIG. 1 is an upper right rear perspective view of a chair showing our new design;

FIG. 2 is a left-side elevational view thereof, the right-side being substantially a mirror image thereof;

FIG. 3 is a front elevational view thereof; and

FIG. 4 is a bottom plan view thereof.



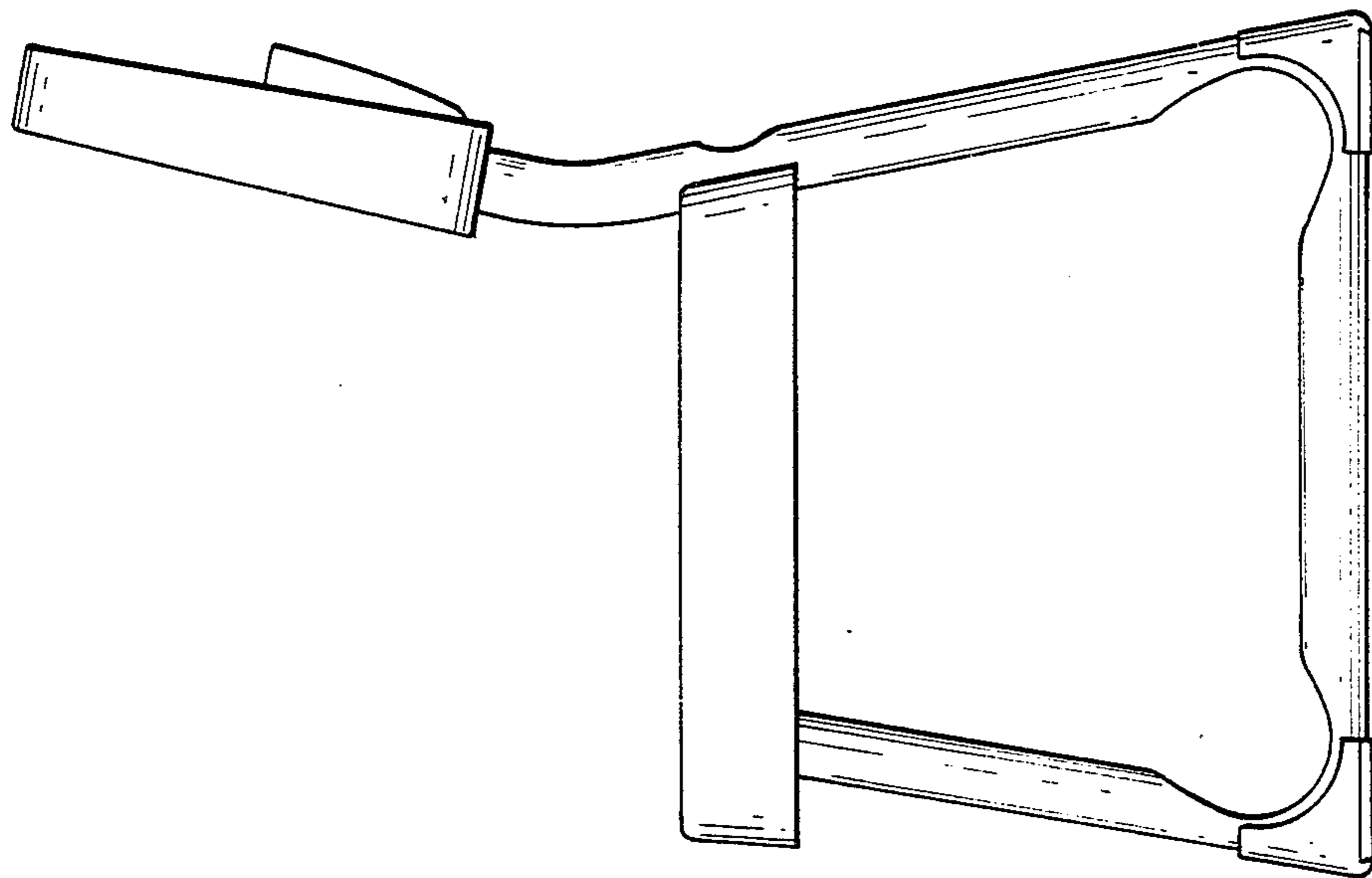


FIG. 2

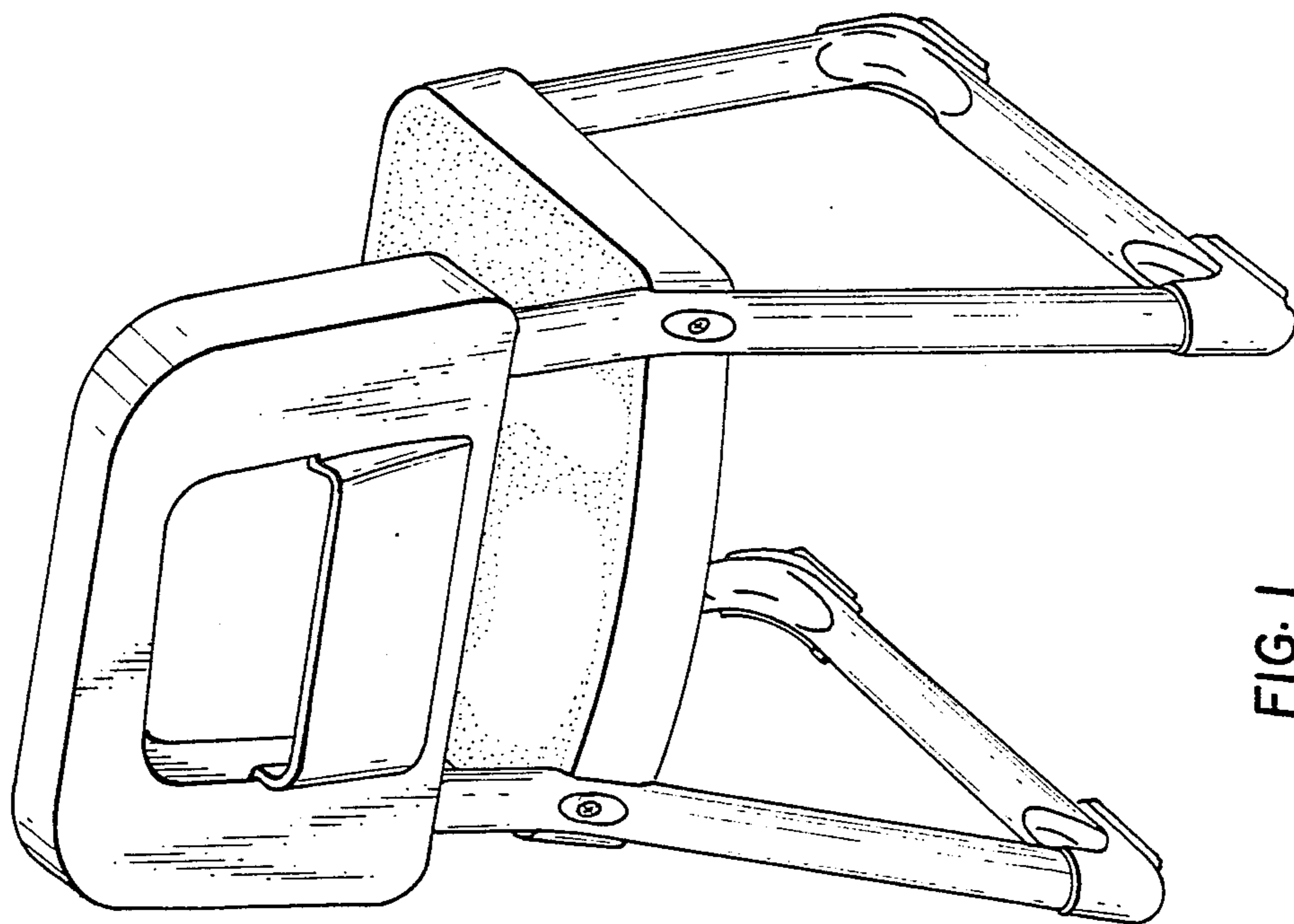


FIG. 1

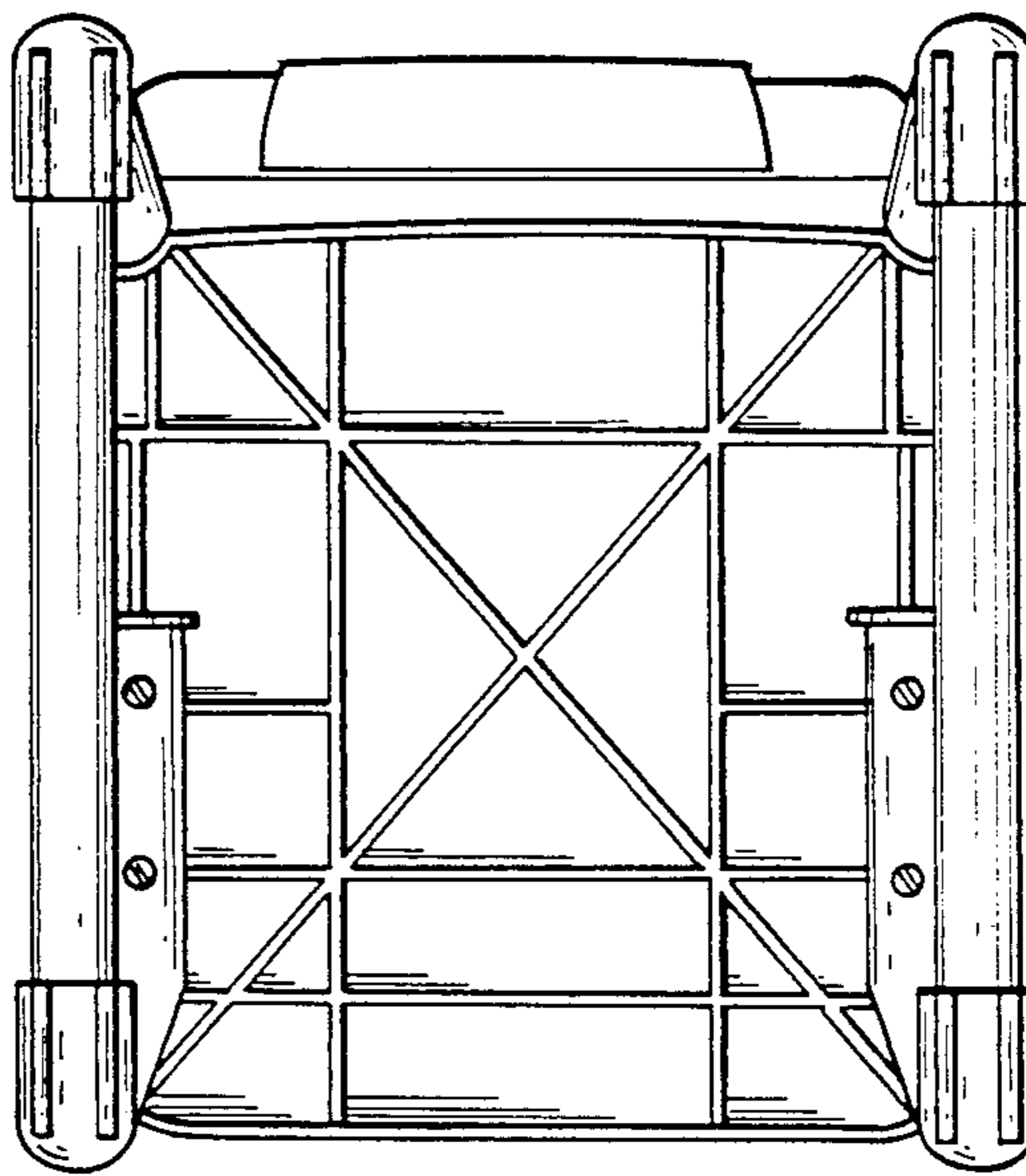


FIG. 4

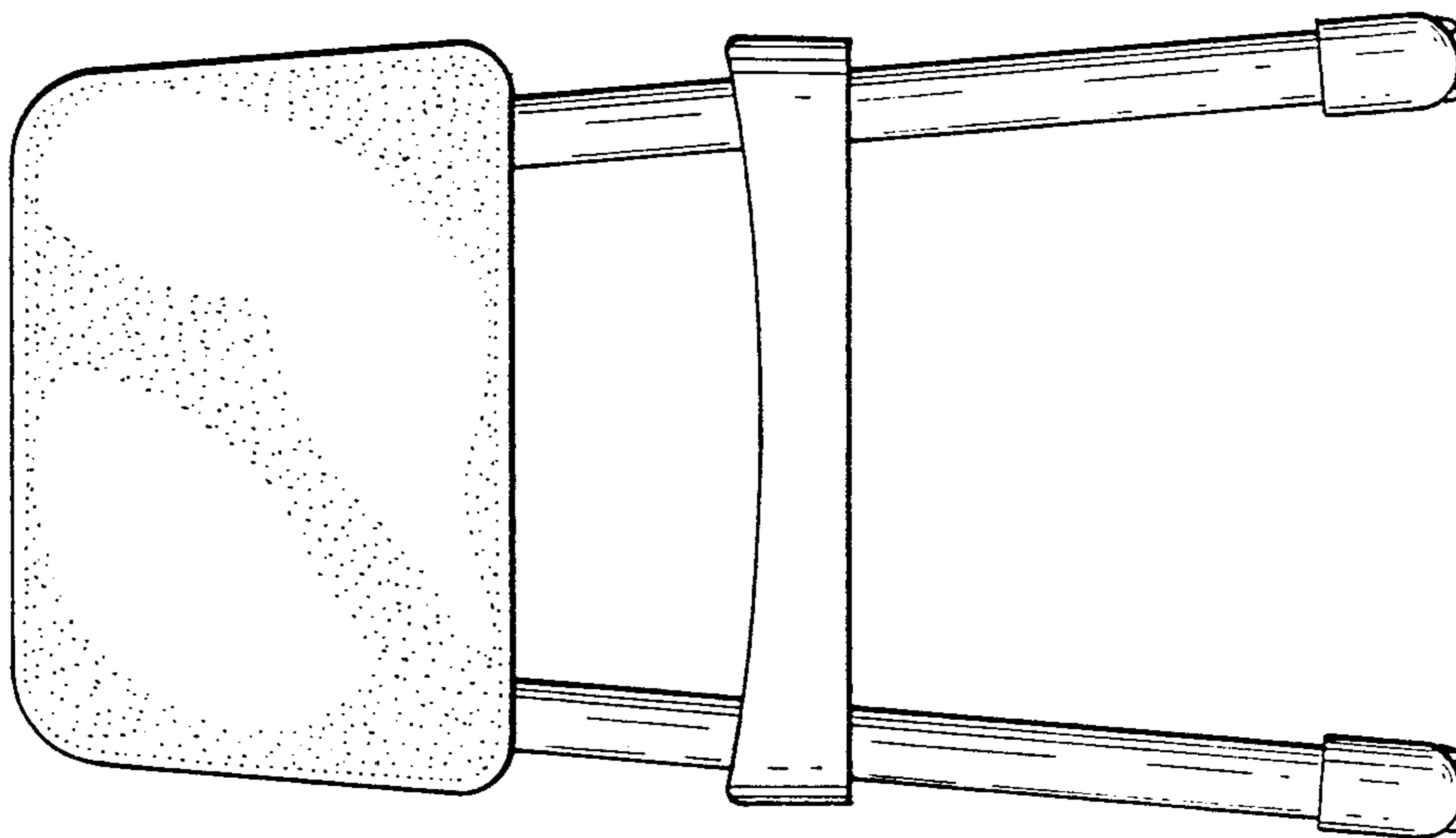


FIG. 3