

United States Patent [19]
Riehm

[11] **Patent Number: Des. 293,046**
[45] **Date of Patent: ** Dec. 8, 1987**

[54] **CHILD'S SWING**
[75] **Inventor: Merry S. Riehm, East Aurora, N.Y.**
[73] **Assignee: The Quaker Oats Company, Chicago, Ill.**
[**] **Term: 14 Years**
[21] **Appl. No.: 762,119**
[22] **Filed: Aug. 2, 1985**
[52] **U.S. Cl. D6/347; D6/333; D6/344**
[58] **Field of Search D6/344, 347, 333; 5/109; 297/273, 279**

D. 250,861 1/1979 Boudreau et al. D6/347
D. 264,528 5/1982 Nakao et al. D6/333
2,807,309 9/1957 Saint et al. D6/344 X
4,231,612 11/1980 Meeker D6/333 X

Primary Examiner—Bruce W. Dunkins
Attorney, Agent, or Firm—Cumpston & Shaw

[56] **References Cited**
U.S. PATENT DOCUMENTS
D. 229,130 11/1973 Foster D6/333 X

[57] **CLAIM**
The ornamental design for a child's swing, substantially as shown and described.

DESCRIPTION
FIG. 1 is a front elevational view of a child's swing showing my new design;
FIG. 2 is a rear elevational view thereof;
FIG. 3 is a right side elevational view thereof;
FIG. 4 is a left side elevational view thereof; and
FIG. 5 is a top plan view thereof.

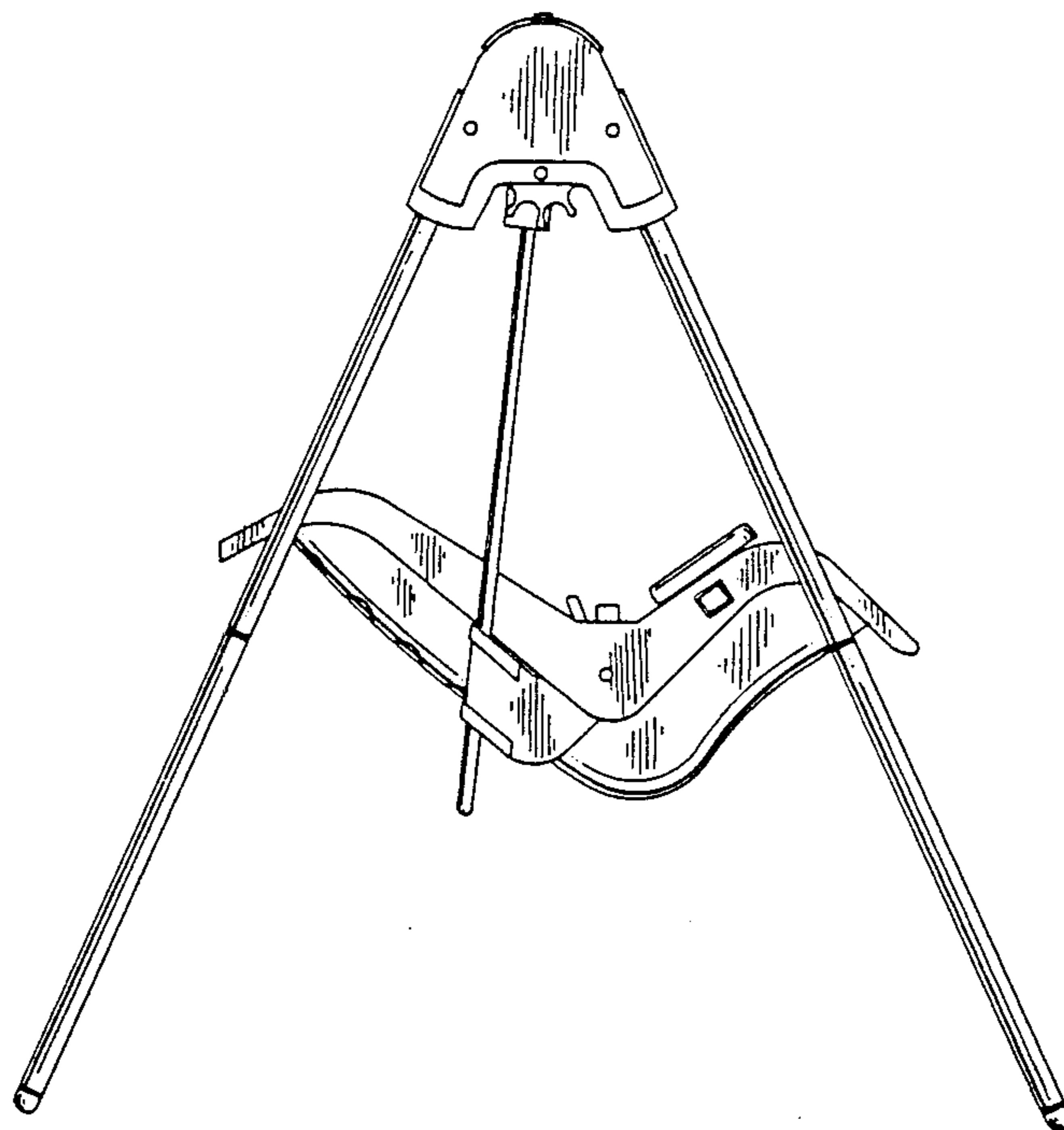


FIG. 1

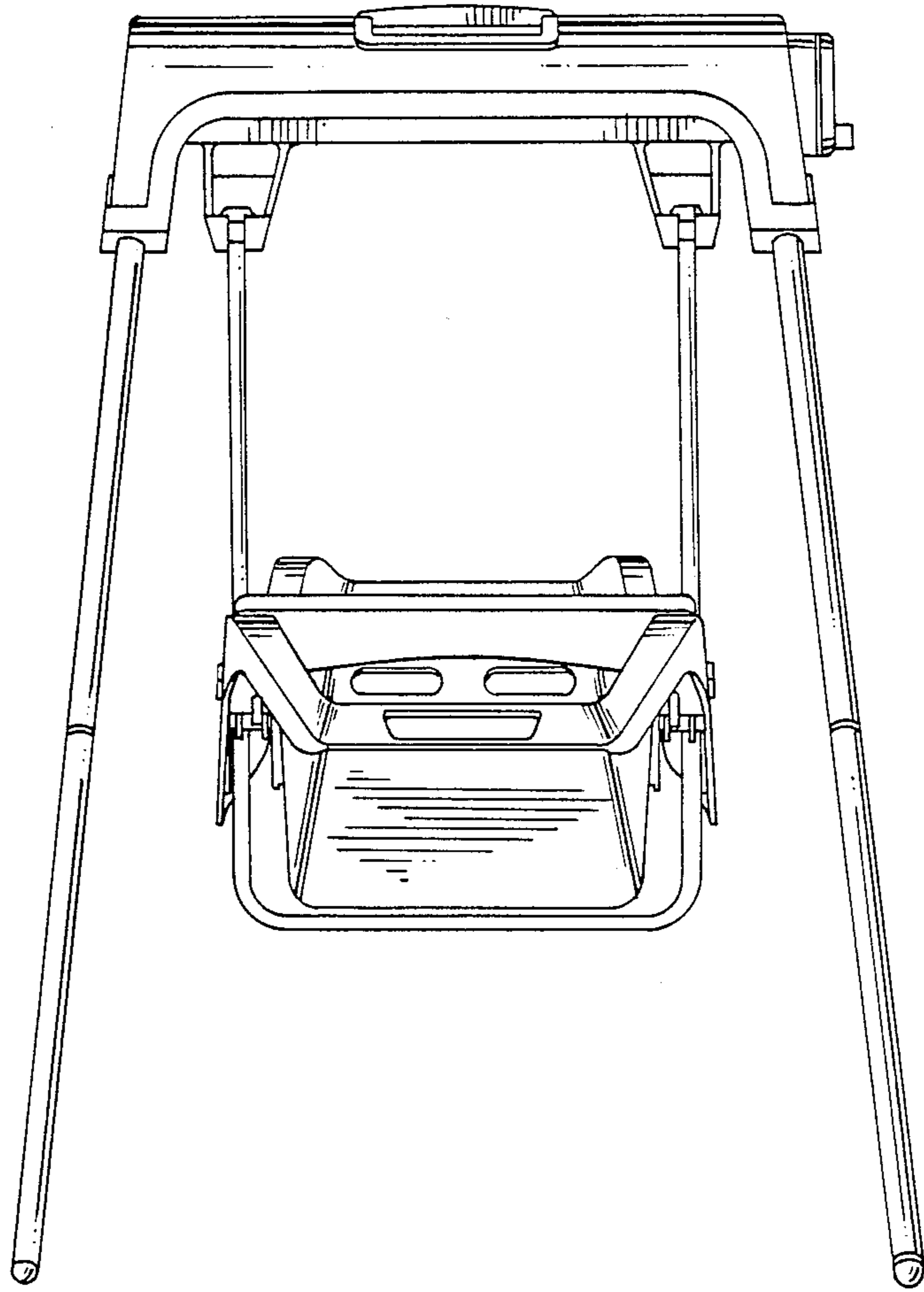


FIG. 2

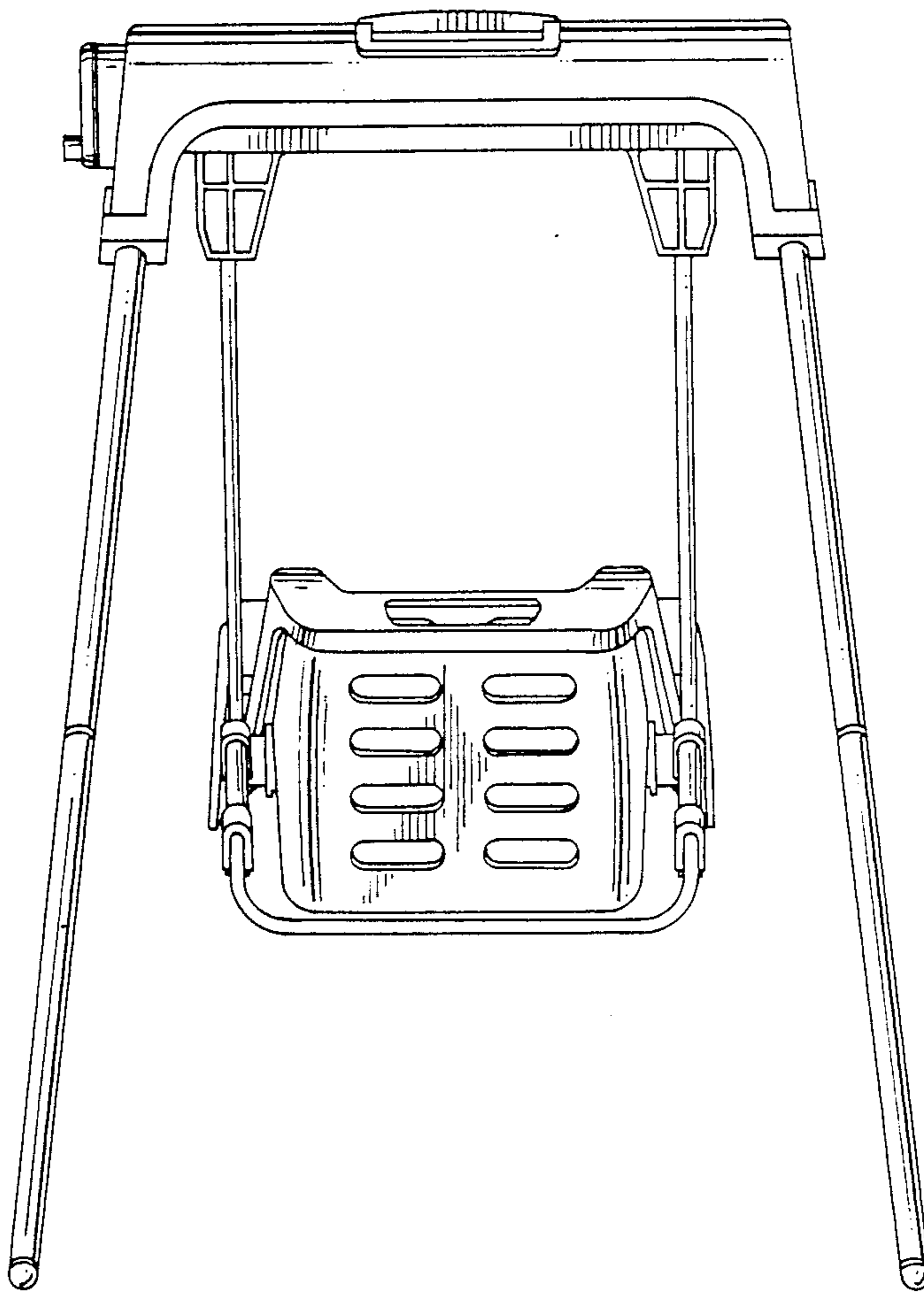


FIG. 3

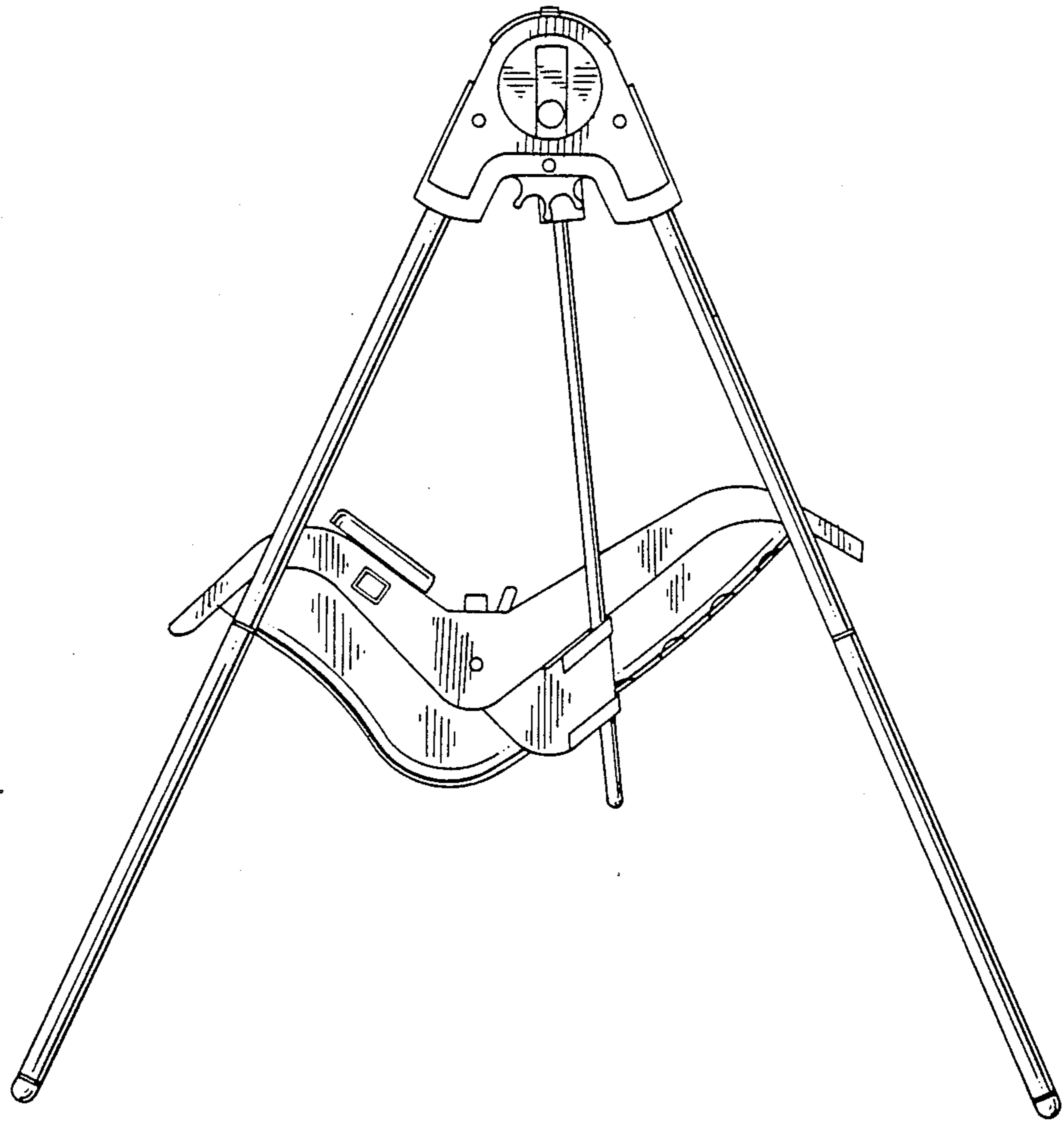


FIG. 4

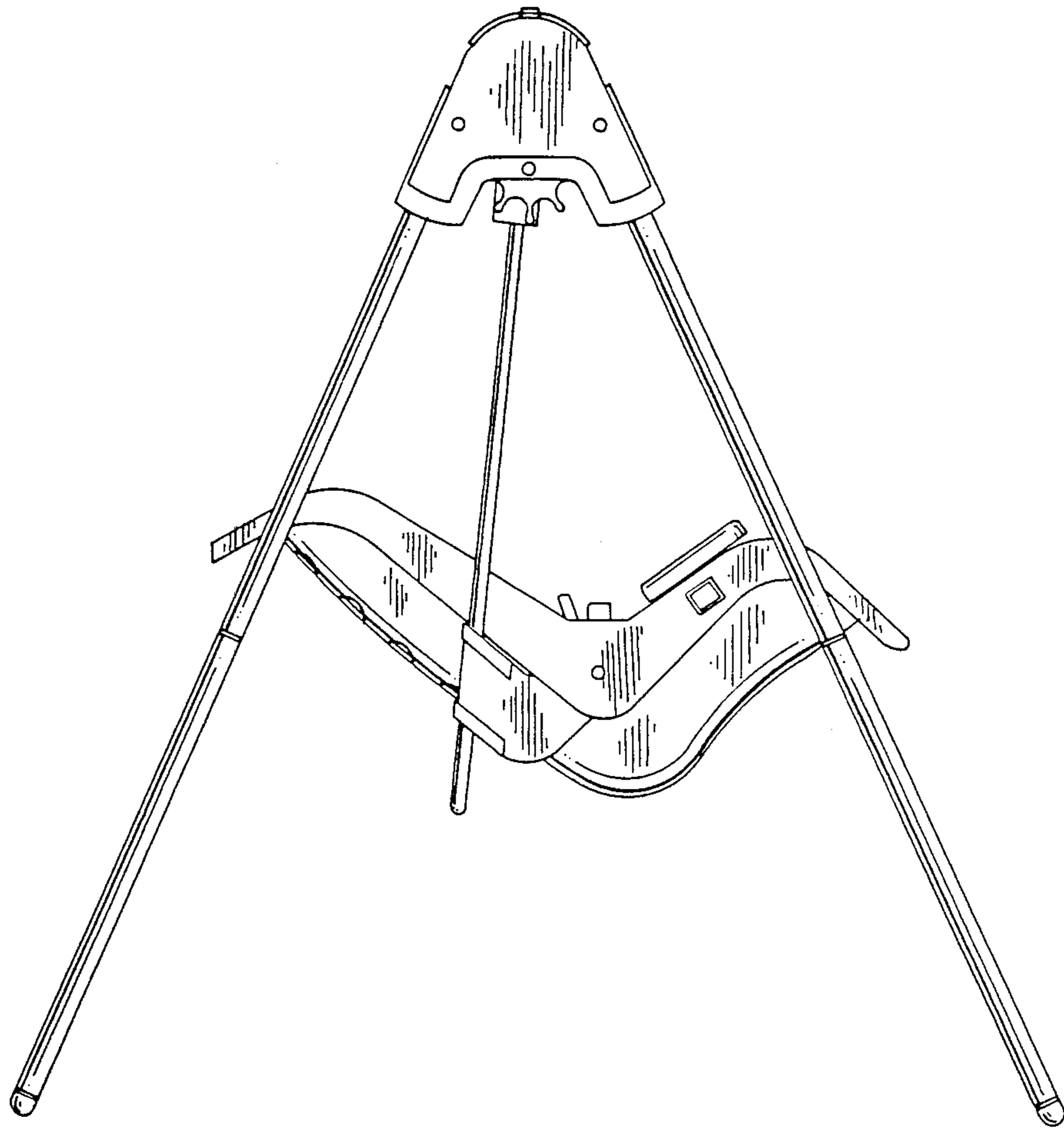


FIG. 5

