

[54] **COMBINED MULTIPLE MASCARA
DISPENSER AND APPLICATOR**

[76] **Inventor: Jennifer J. Osborne, Lot 6 Monitor
Village, Centreville, Iowa 52544**

[**] **Term: 14 Years**

[21] **Appl. No.: 703,866**

[22] **Filed: Feb. 21, 1985**

[52] **U.S. Cl. D28/7**

[58] **Field of Search D28/4, 5, 7, 88, 76-78,
D28/82-86; D3/39; D9/337, 338, 436, 447;
220/DIG. 26; 206/235, 335, 587, 823; 132/79
R, 79 A, 79 C, 79 F, 79 G, 83 R, 83 B, 83 C, 83
E, 82 R-82 D, 88.5, 88.7, DIG. 3**

[56] **References Cited**
U.S. PATENT DOCUMENTS

D. 141,278 5/1945 Frederics D28/85

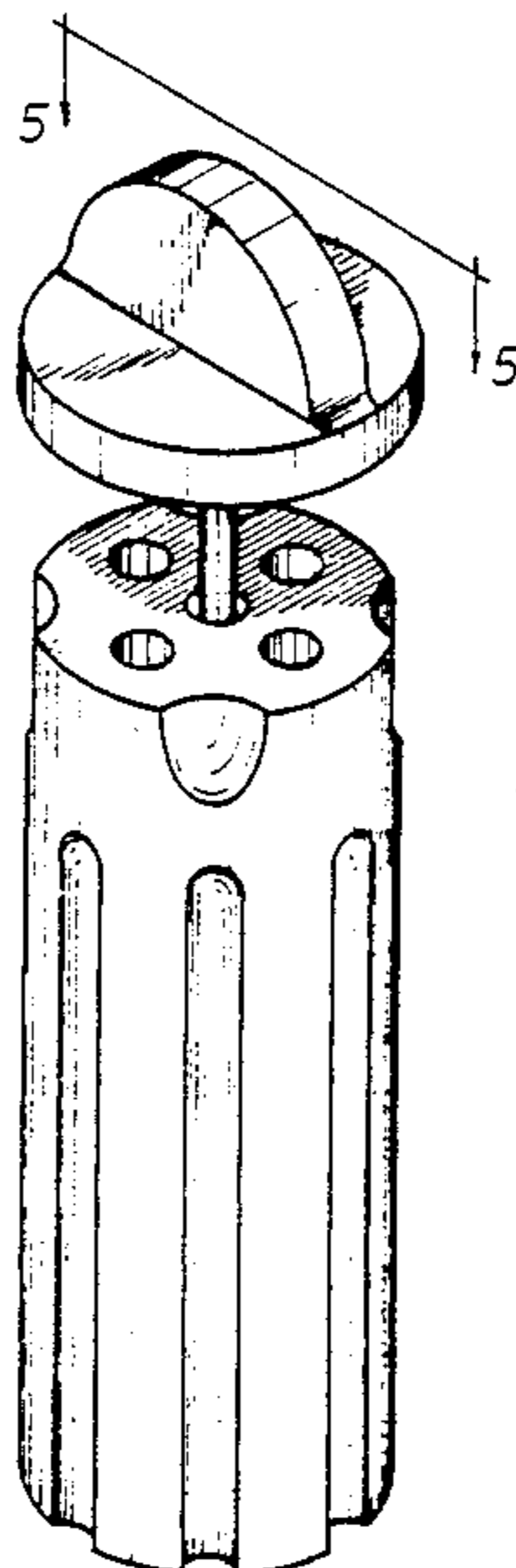
Primary Examiner—Louis S. Zarfes
Attorney, Agent, or Firm—Don E. Ferrell

[57] **CLAIM**

The ornamental design for a combined multiple mascara dispenser and applicator, as shown and described.

DESCRIPTION

FIG. 1 is a perspective view of a combined multiple mascara dispenser and applicator showing my new design with the applicator partially extended.
FIG. 2 is a side elevational view thereof;
FIG. 3 is a top plan view thereof;
FIG. 4 is a bottom plan view thereof; and
FIG. 5 is a cross-sectional view taken along the line 5-5 in FIG. 1.



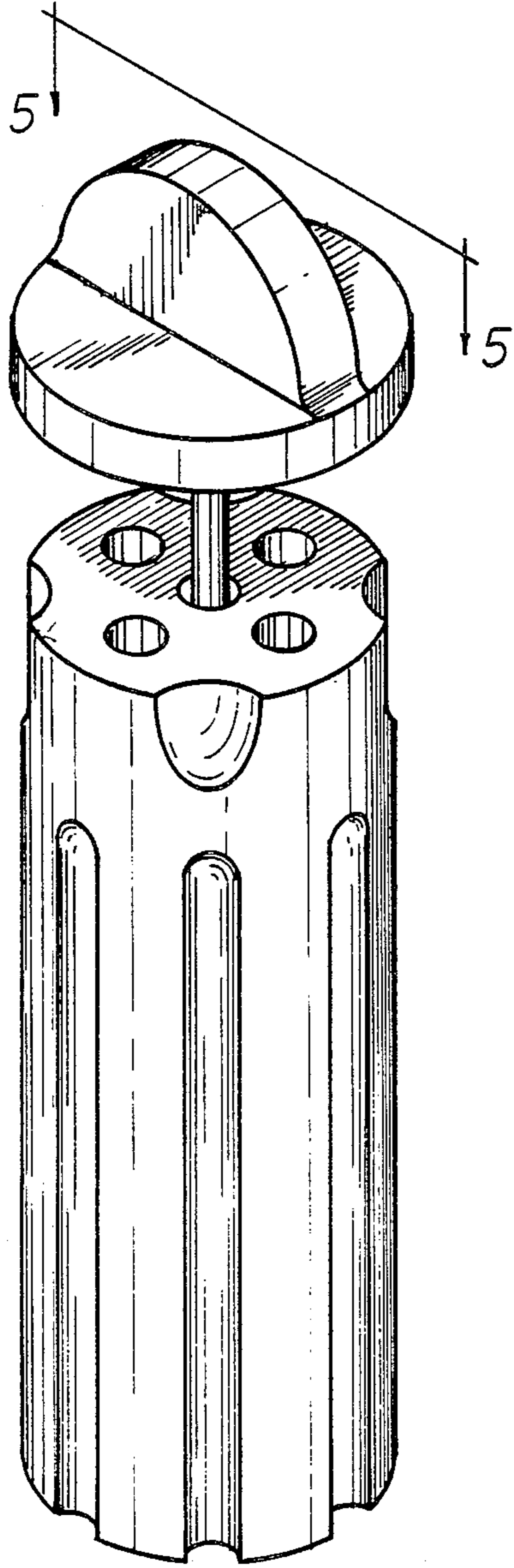


FIG 1

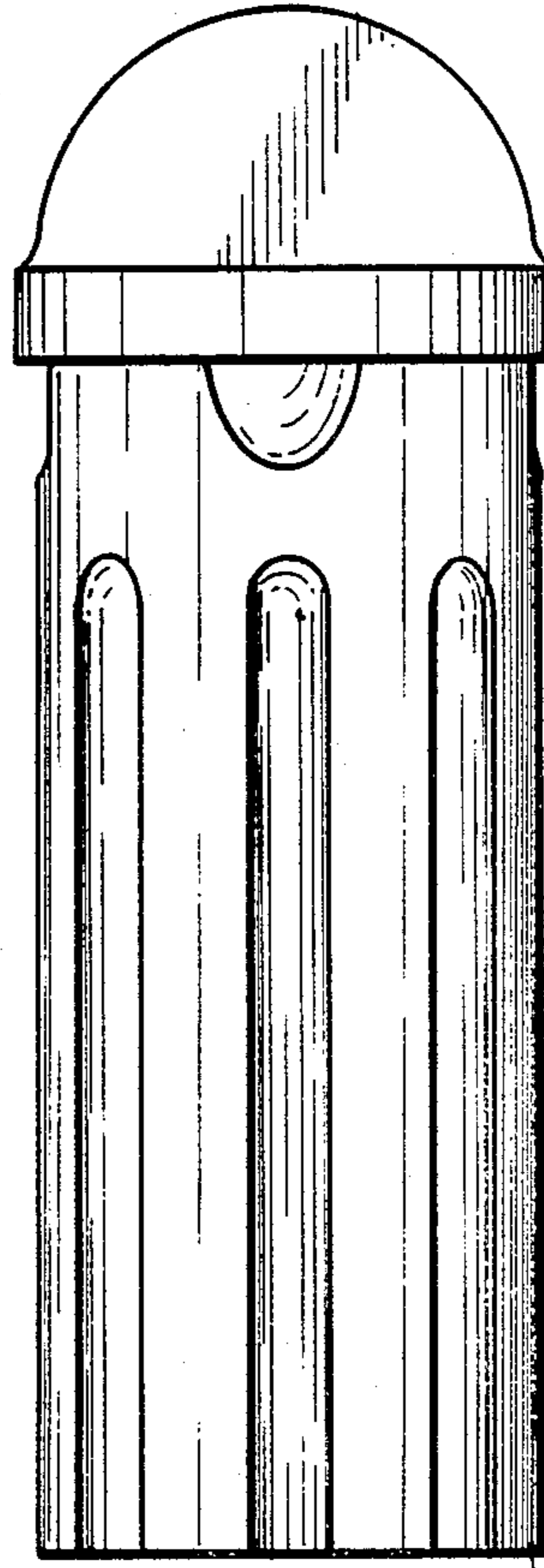


FIG 2

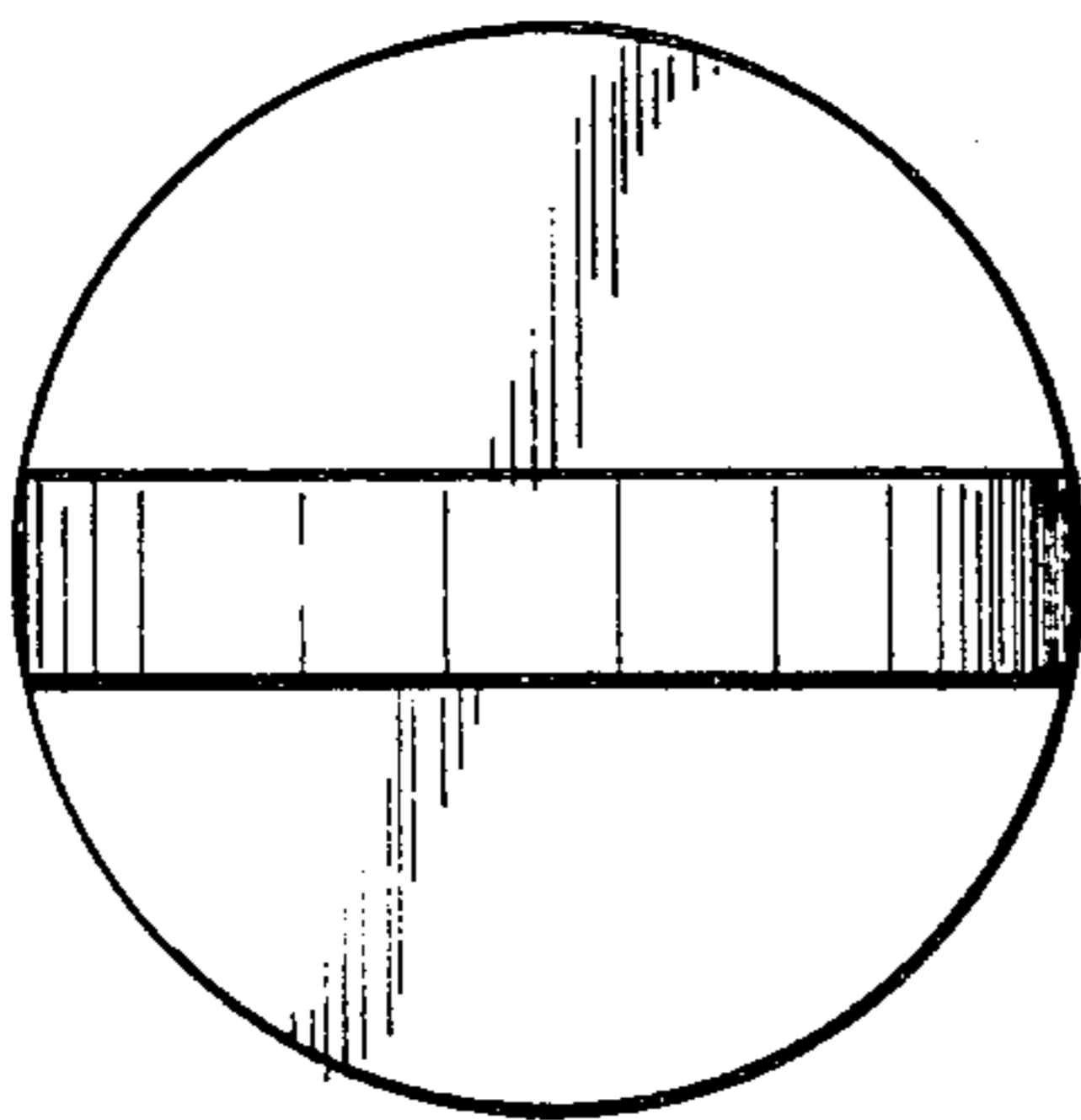


FIG 3

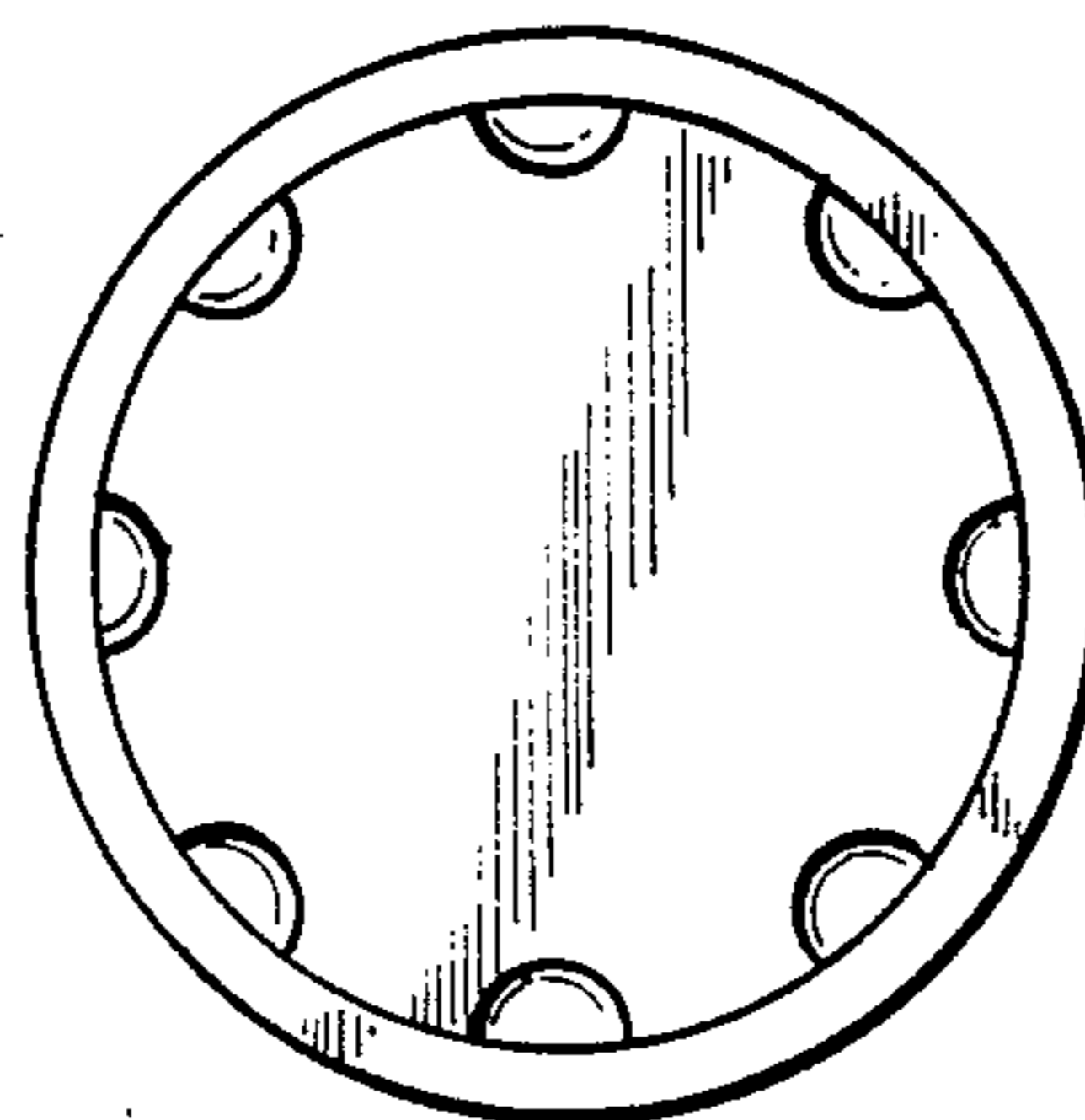


FIG 4

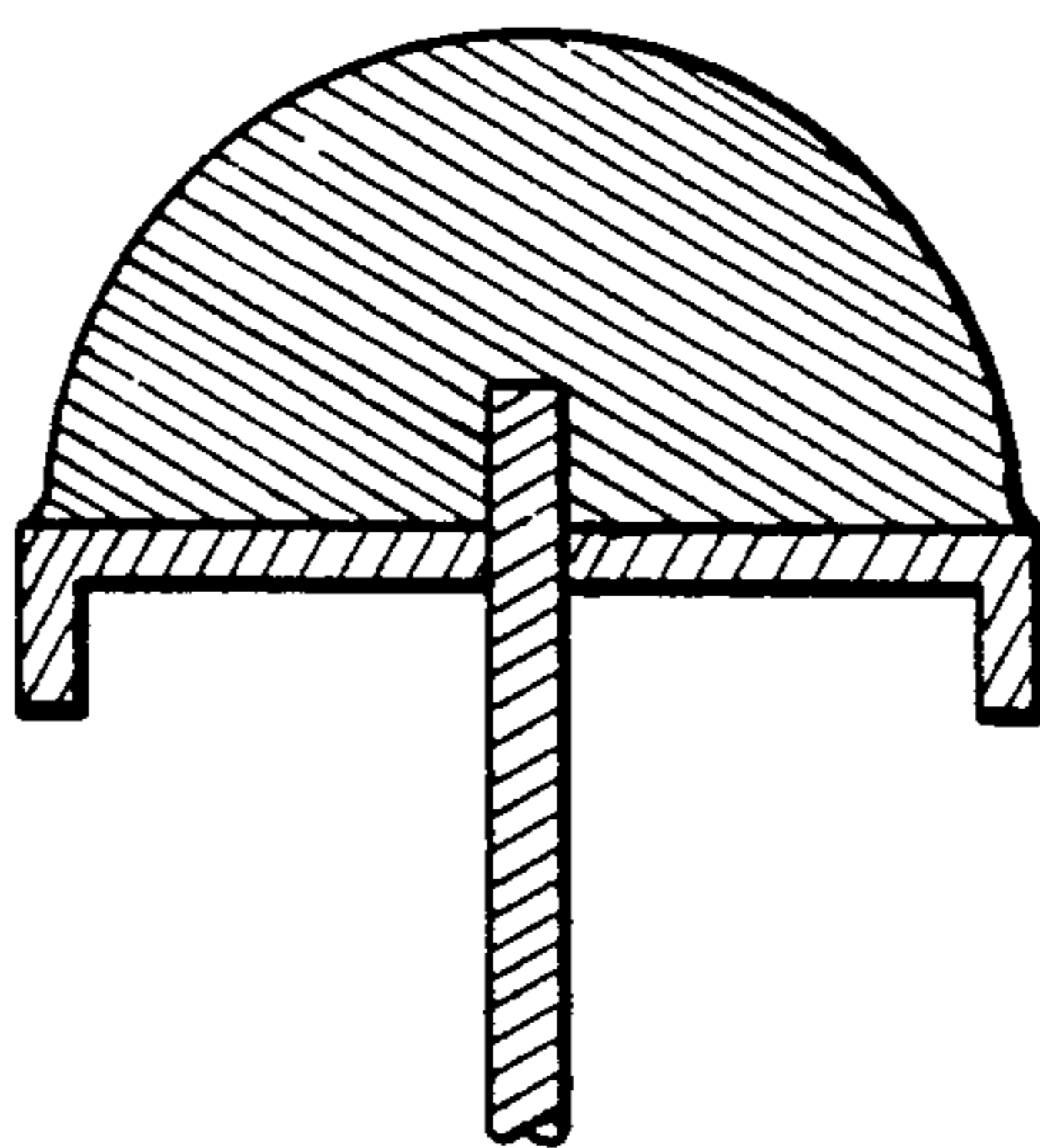


FIG 5