

United States Patent [19]

Hiranaka

[11] Patent Number: Des. 293,033

[45] Date of Patent: ** Dec. 1, 1987

[54] CLEARANCE LAMP FOR AN AUTOMOBILE

[75] Inventor: Shinichi Hiranaka, Toyota, Japan

[73] Assignee: Toyota Jidosha Kabushiki Kaisha,
Toyota, Japan

[**] Term: 14 Years

[21] Appl. No.: 739,459

[22] Filed: May 30, 1985

[52] U.S. Cl. D26/120

[58] Field of Search D26/28-36,
D26/120, 122, 123, 124; 362/61, 80-83,
326-340

[56] **References Cited**

U.S. PATENT DOCUMENTS

D. 271,142 10/1983 Hirasawa D26/120
271,811 12/1983 Luthe .
D. 285,258 8/1986 Hamasaki D26/28

FOREIGN PATENT DOCUMENTS

571241 11/1981 Japan .

0205246 12/1982 Japan 362/61

Primary Examiner—Susan J. Lucas

Attorney, Agent, or Firm—Cushman, Darby & Cushman

[57] **CLAIM**

The ornamental design for a clearance lamp for an automobile, as shown.

DESCRIPTION

FIG. 1 is a perspective view of a clearance lamp for an automobile showing my new design;

FIG. 2 is a front elevational view thereof on a reduced scale;

FIG. 3 is a rear elevational view thereof of a reduced scale;

FIG. 4 is a top plan view thereof on a reduced scale;

FIG. 5 is a bottom plan view thereof on a reduced scale;

FIG. 6 is a left side elevational view thereof on a reduced scale;

FIG. 7 is a right side elevational view thereof on a reduced scale; and

FIG. 8 is a cross-sectional view taken along line VIII-VIII of FIG. 4.

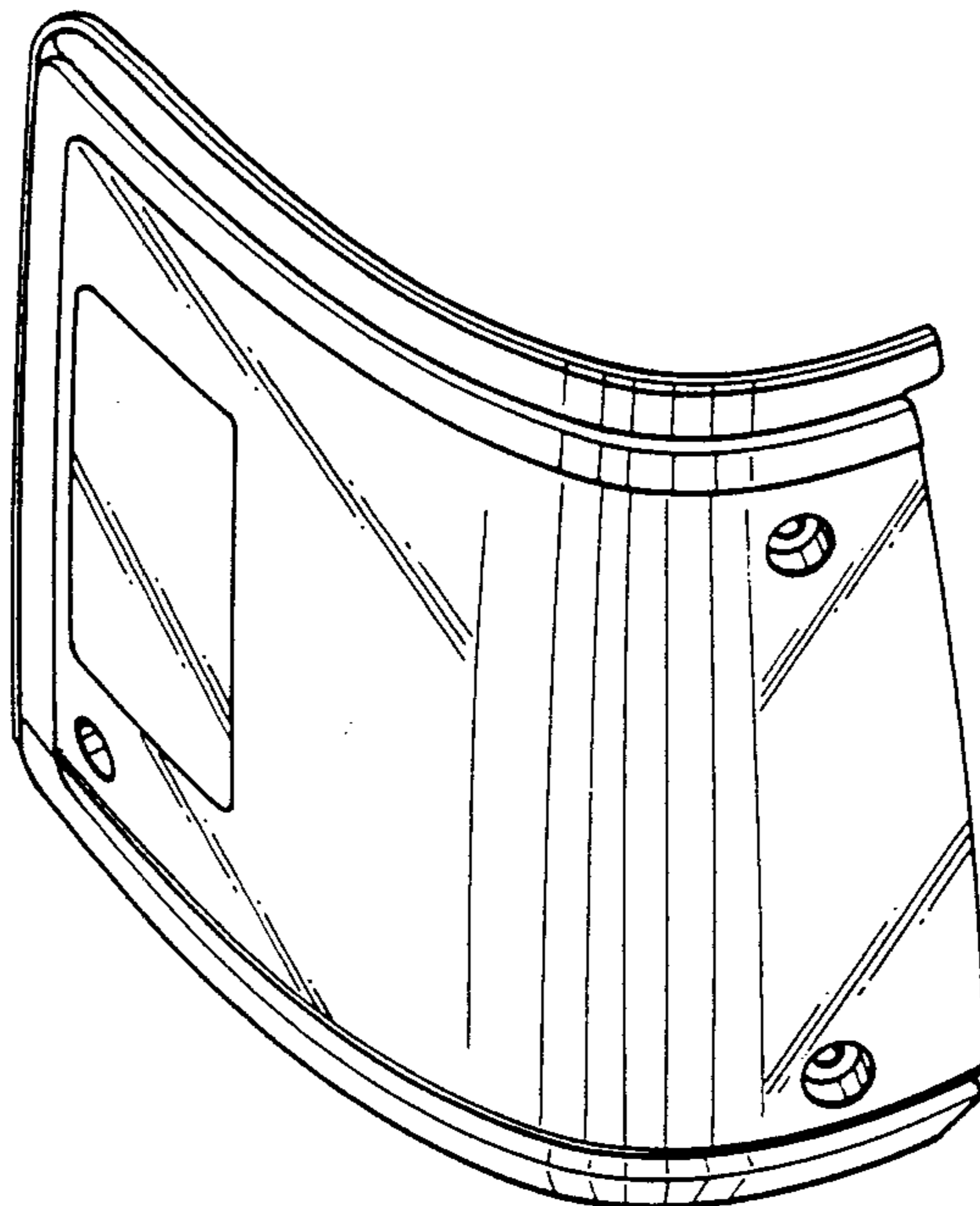


Fig. 1

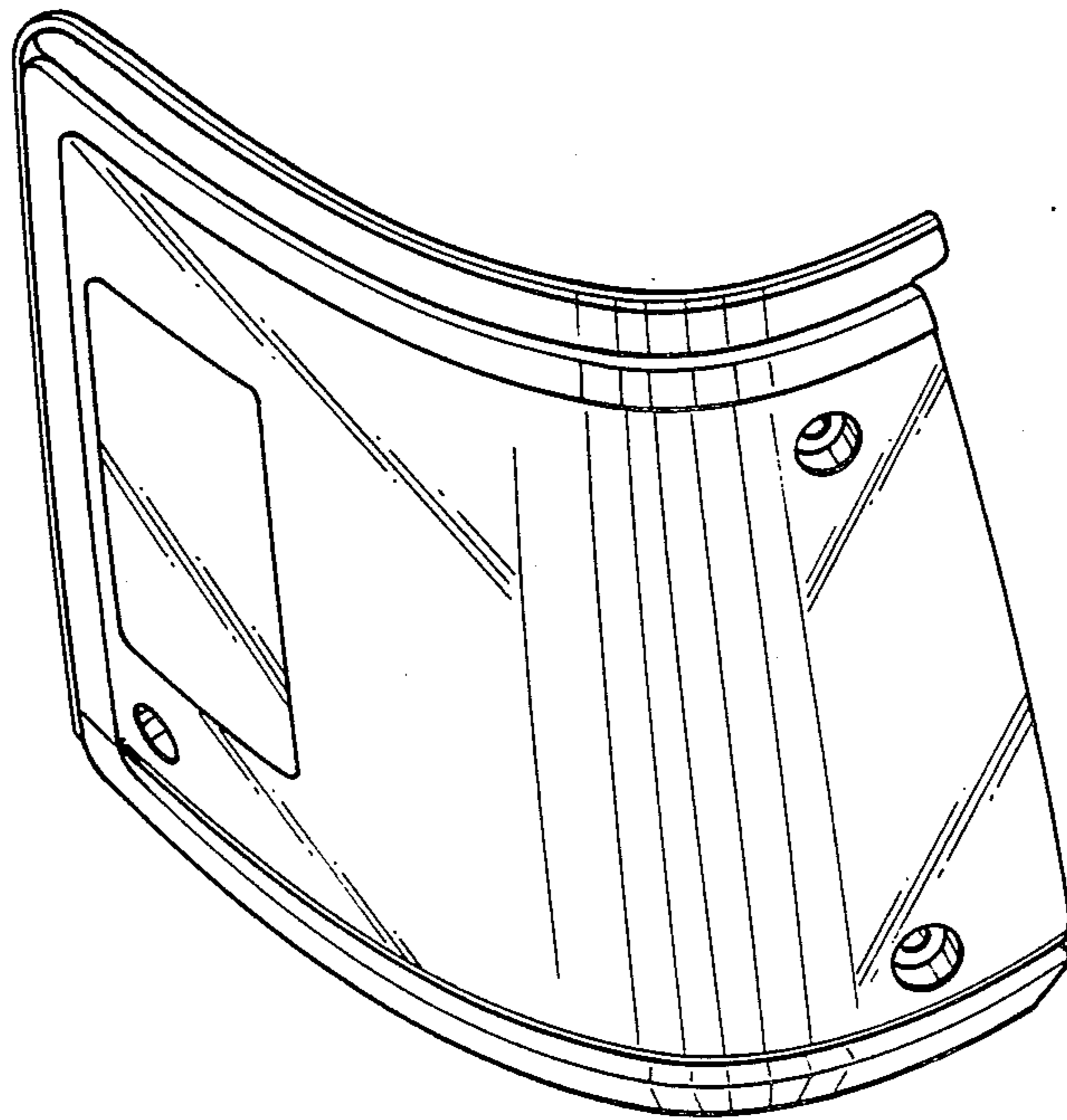


Fig.2

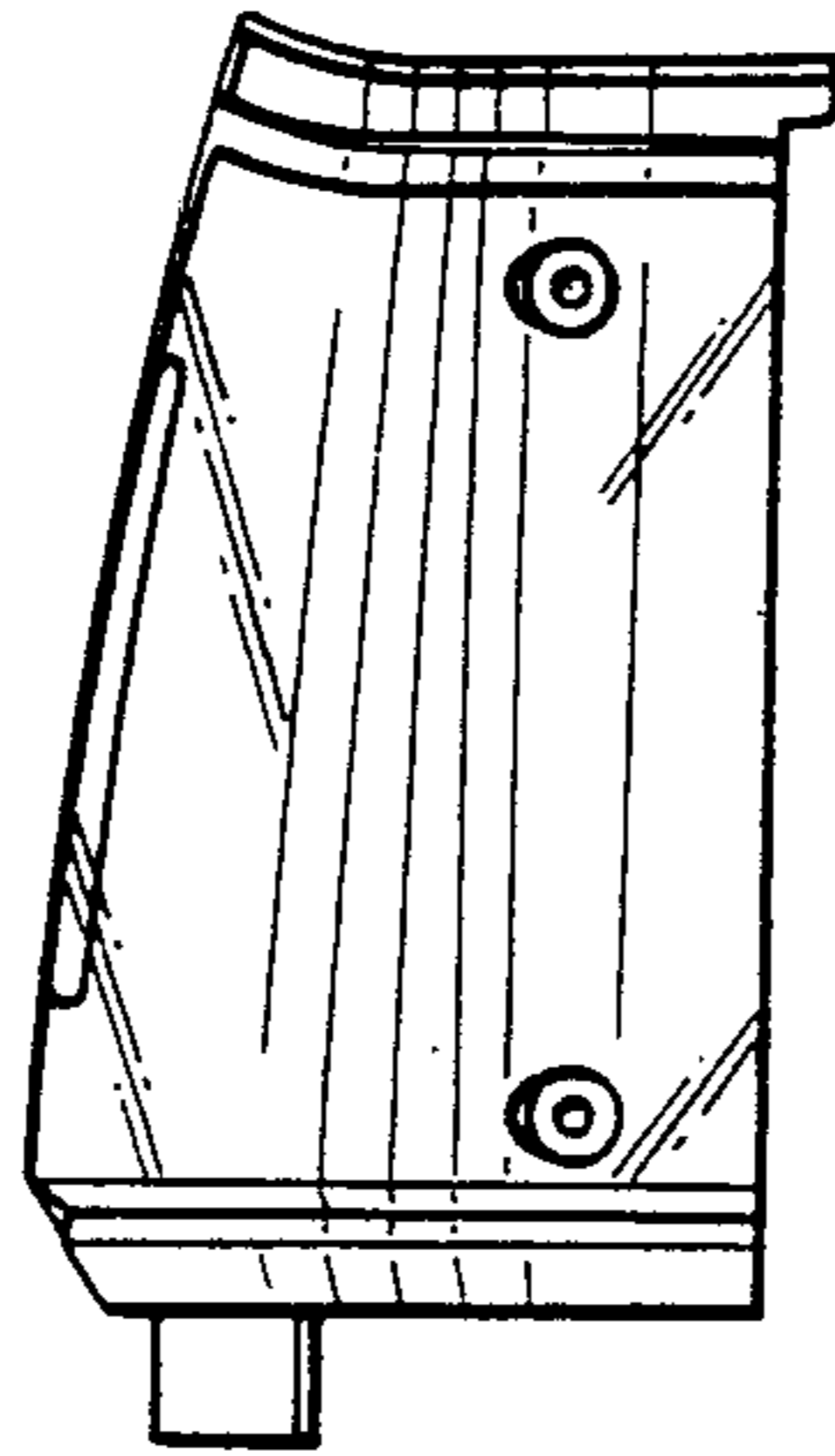


Fig.3

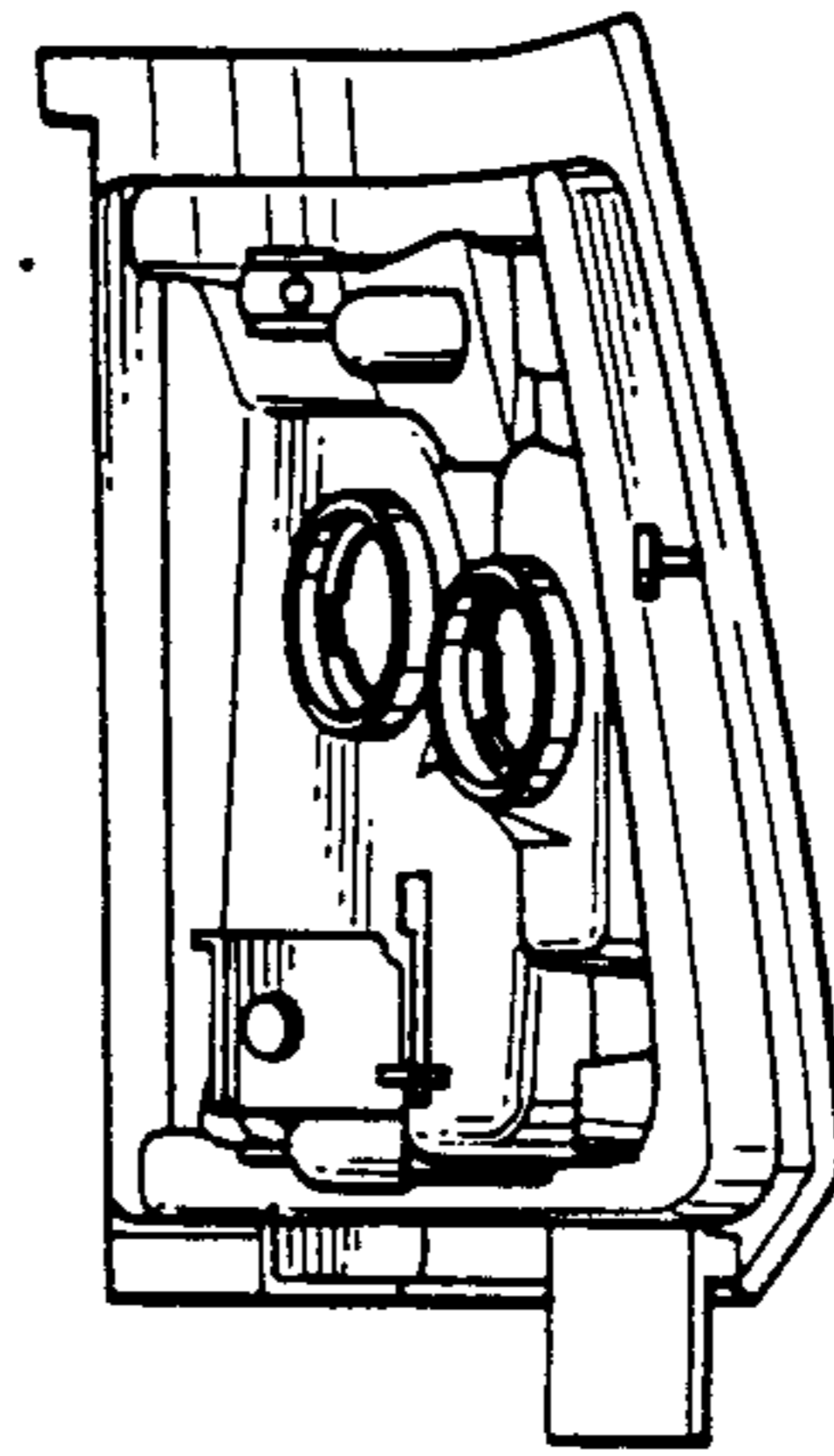


Fig.4

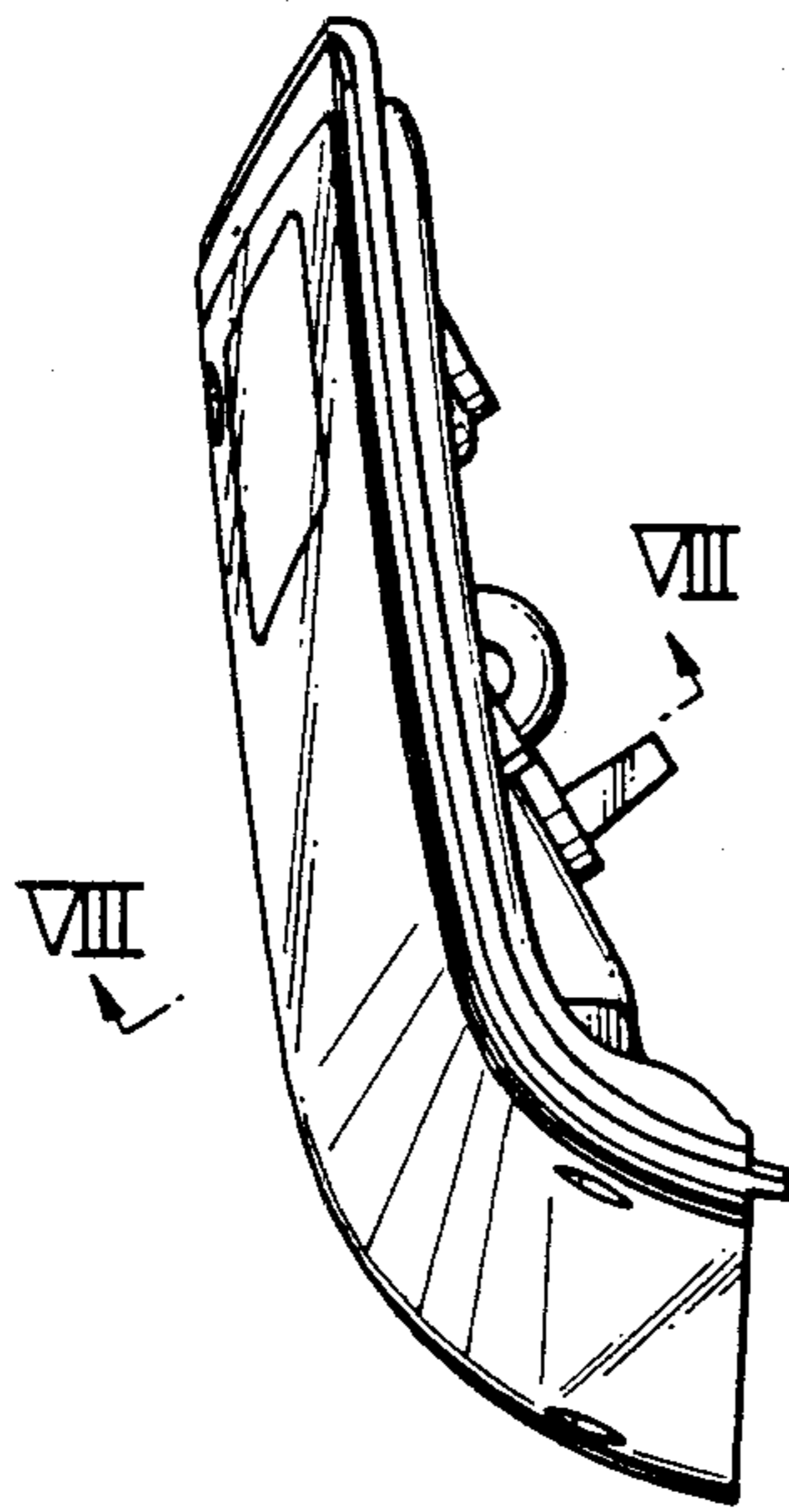


Fig.5

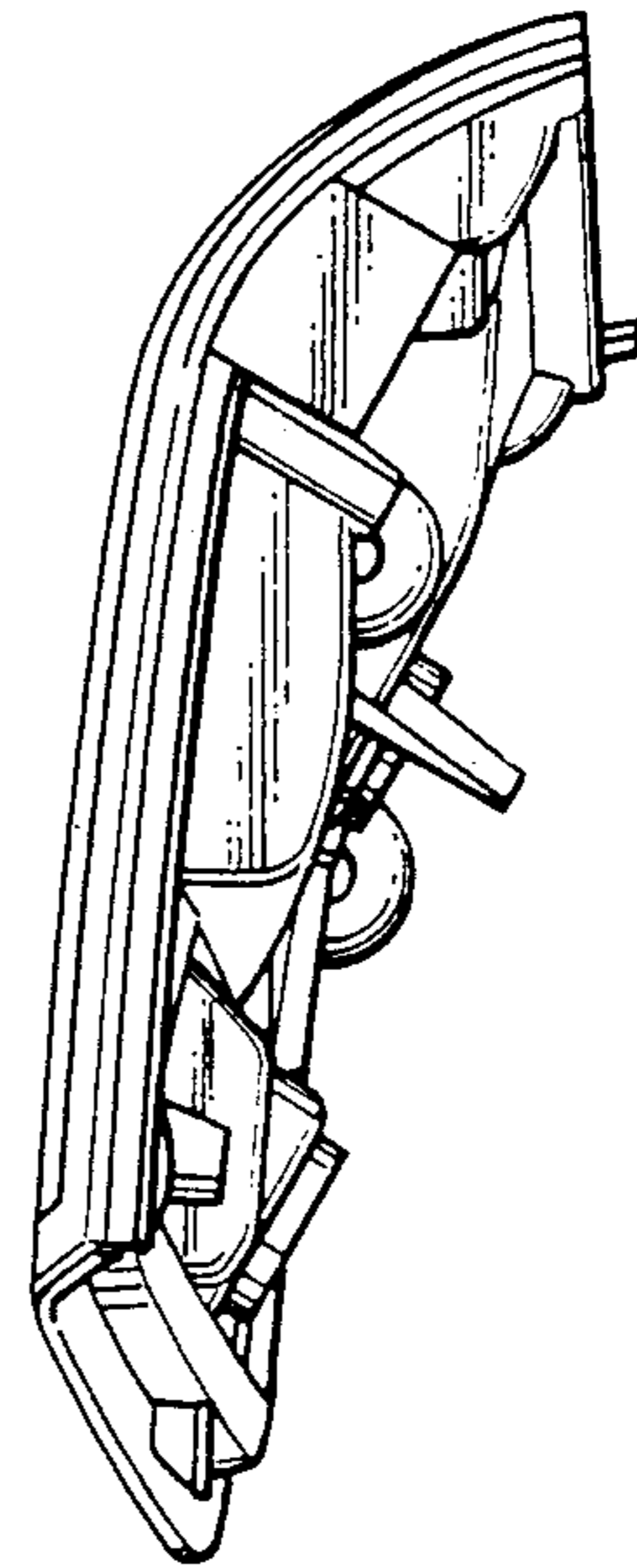


Fig. 6

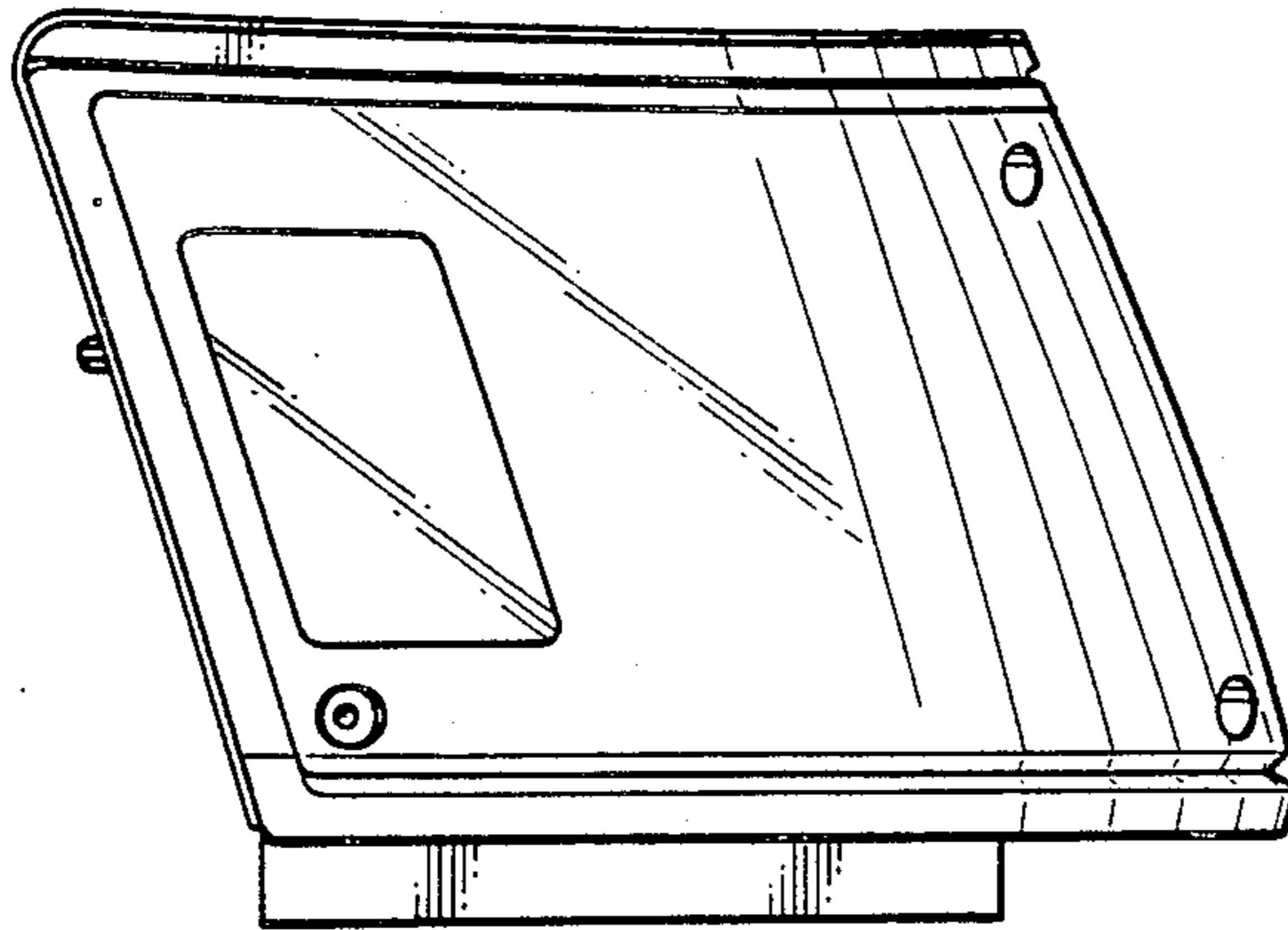


Fig. 7

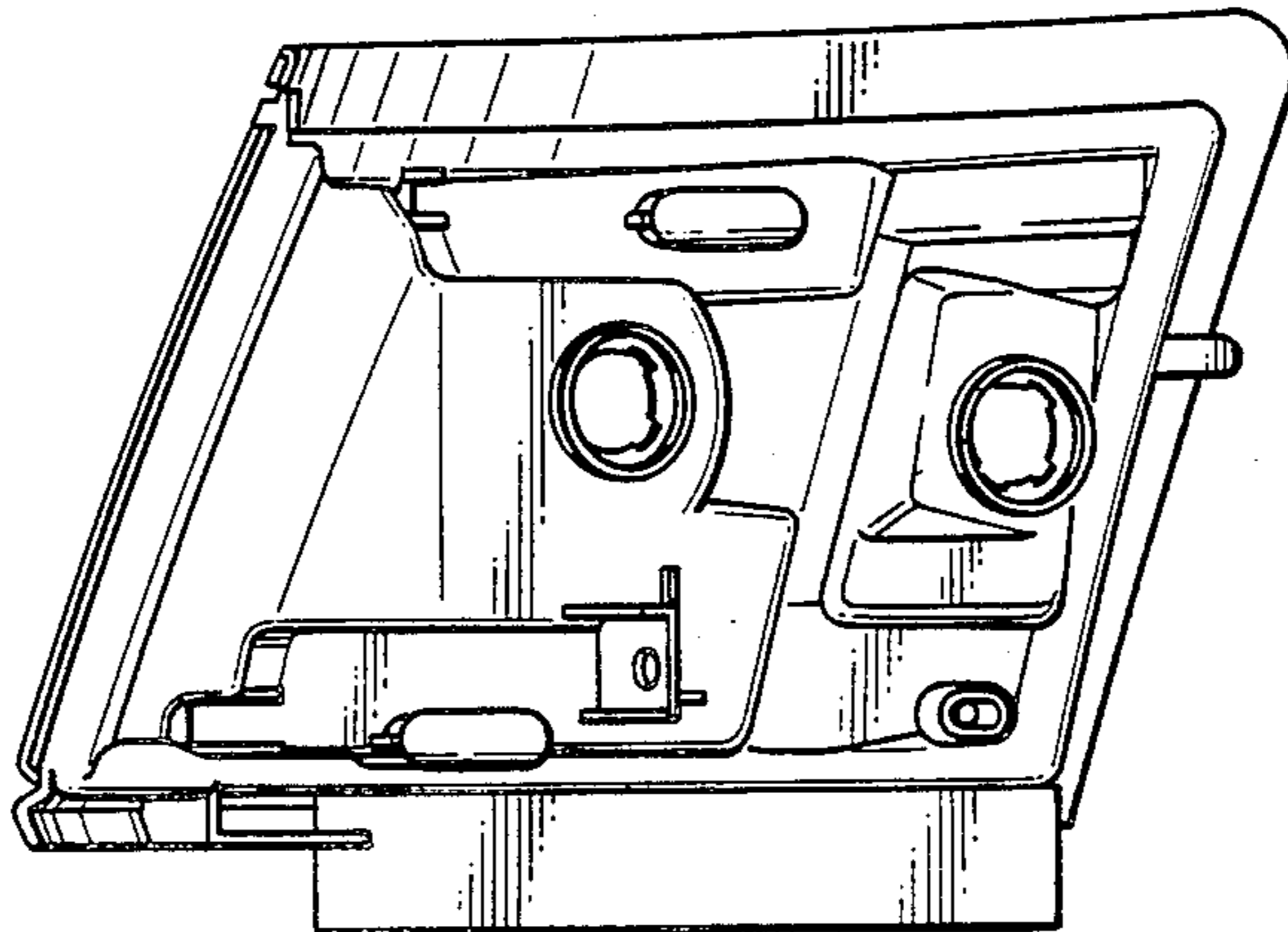


Fig. 8

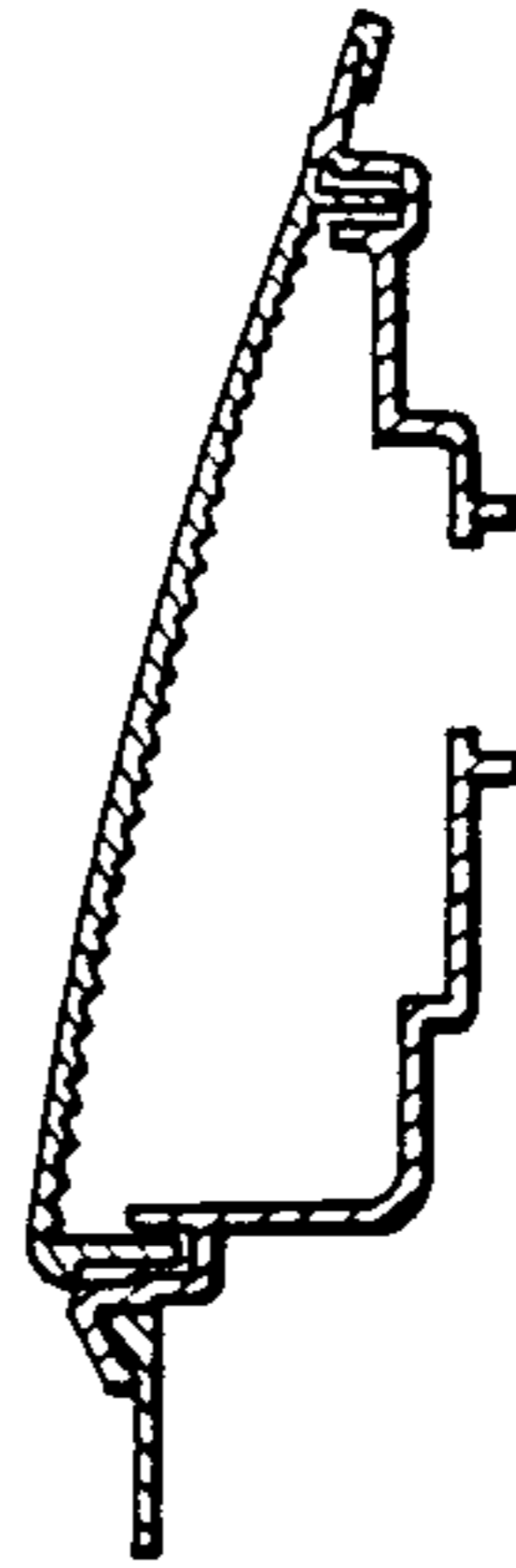


Fig. 9

