

# United States Patent [19]

Hiranaka

[11] Patent Number: Des. 293,032

[45] Date of Patent: \*\* Dec. 1, 1987

[54] REAR COMBINATION LAMP FOR AN AUTOMOBILE

[75] Inventor: Shinichi Hiranaka, Toyota, Japan

[73] Assignee: Toyota Jidosha Kabushiki Kaisha, Toyota, Japan

[\*\*] Term: 14 Years

[21] Appl. No.: 739,456

[22] Filed: May 30, 1985

[52] U.S. Cl. .... D26/120

[58] Field of Search ..... D26/28-36, D26/120, 122, 123, 124; 362/61, 80-83, 326-340

[56] **References Cited**

**U.S. PATENT DOCUMENTS**

D. 271,143 10/1983 Hirakawa ..... D26/120  
D. 279,929 7/1985 Teague ..... D26/122

D. 285,122 8/1986 Fujita ..... D26/35  
4,475,148 10/1984 Tomforde ..... 362/80 X

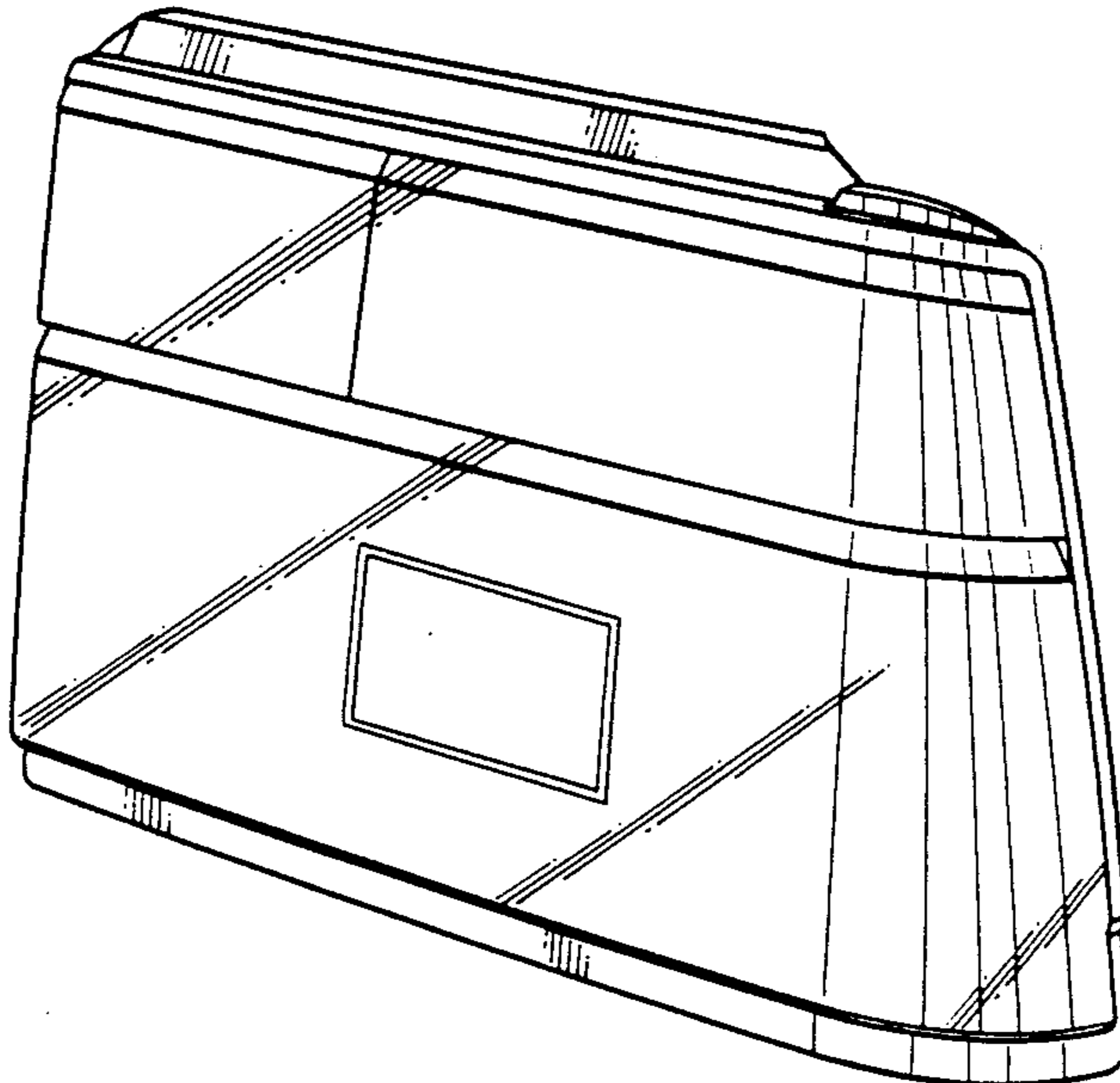
*Primary Examiner*—Susan J. Lucas  
*Attorney, Agent, or Firm*—Cushman, Darby & Cushman

[57] **CLAIM**

The ornamental design for a rear combination lamp for an automobile, as shown.

**DESCRIPTION**

FIG. 1 is a perspective view of a rear combination lamp for an automobile showing my new design; FIG. 2 is a front elevational view thereof; FIG. 3 is a rear elevational view thereof; FIG. 4 is a top plan view thereof; FIG. 5 is a bottom plan view thereof; FIG. 6 is a left side elevational view thereof; FIG. 7 is a right side elevational view thereof; and FIG. 8 is a cross-sectional view taken along line VIII-VIII of FIG. 2.



*Fig. 1*

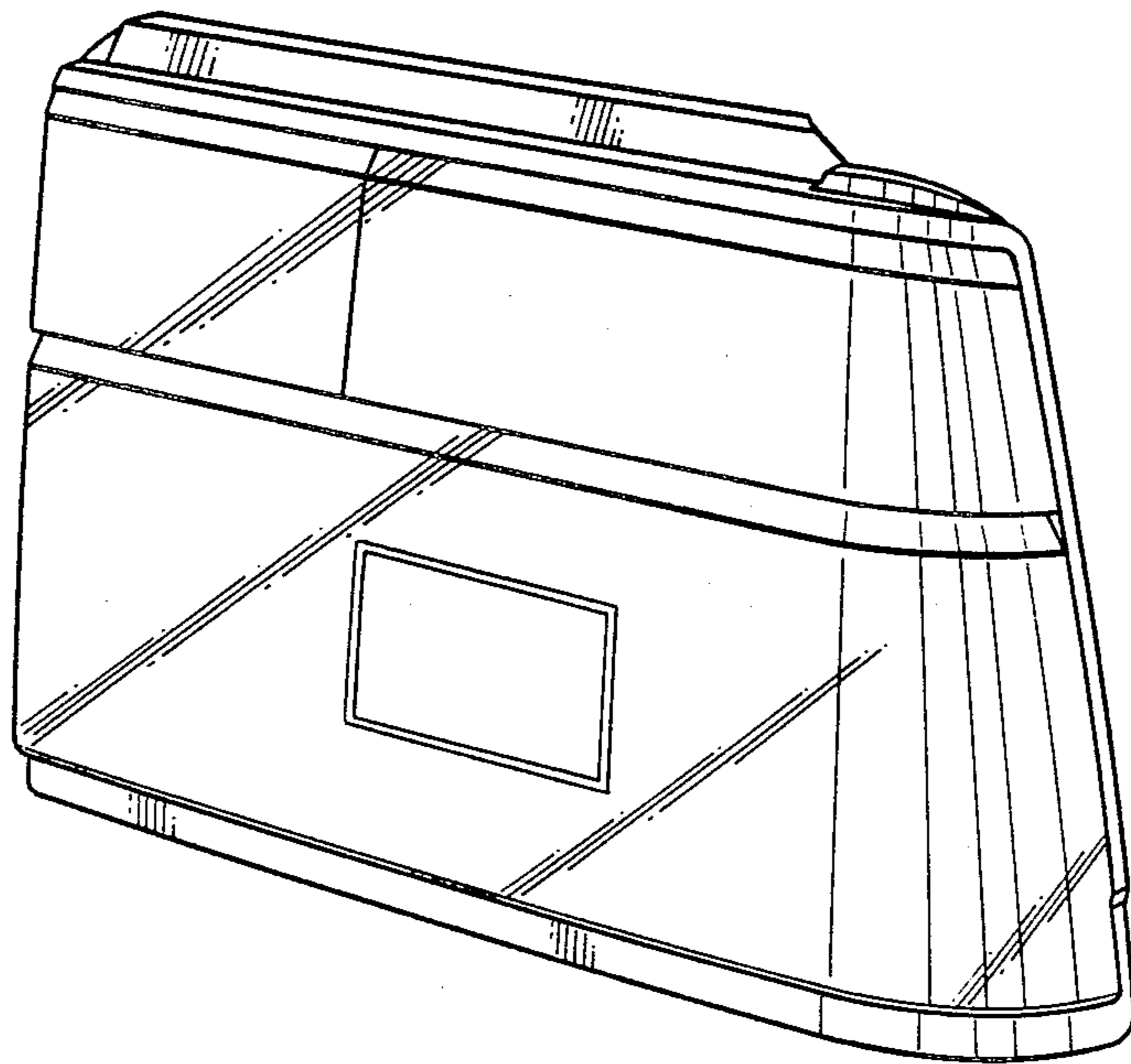


Fig. 2

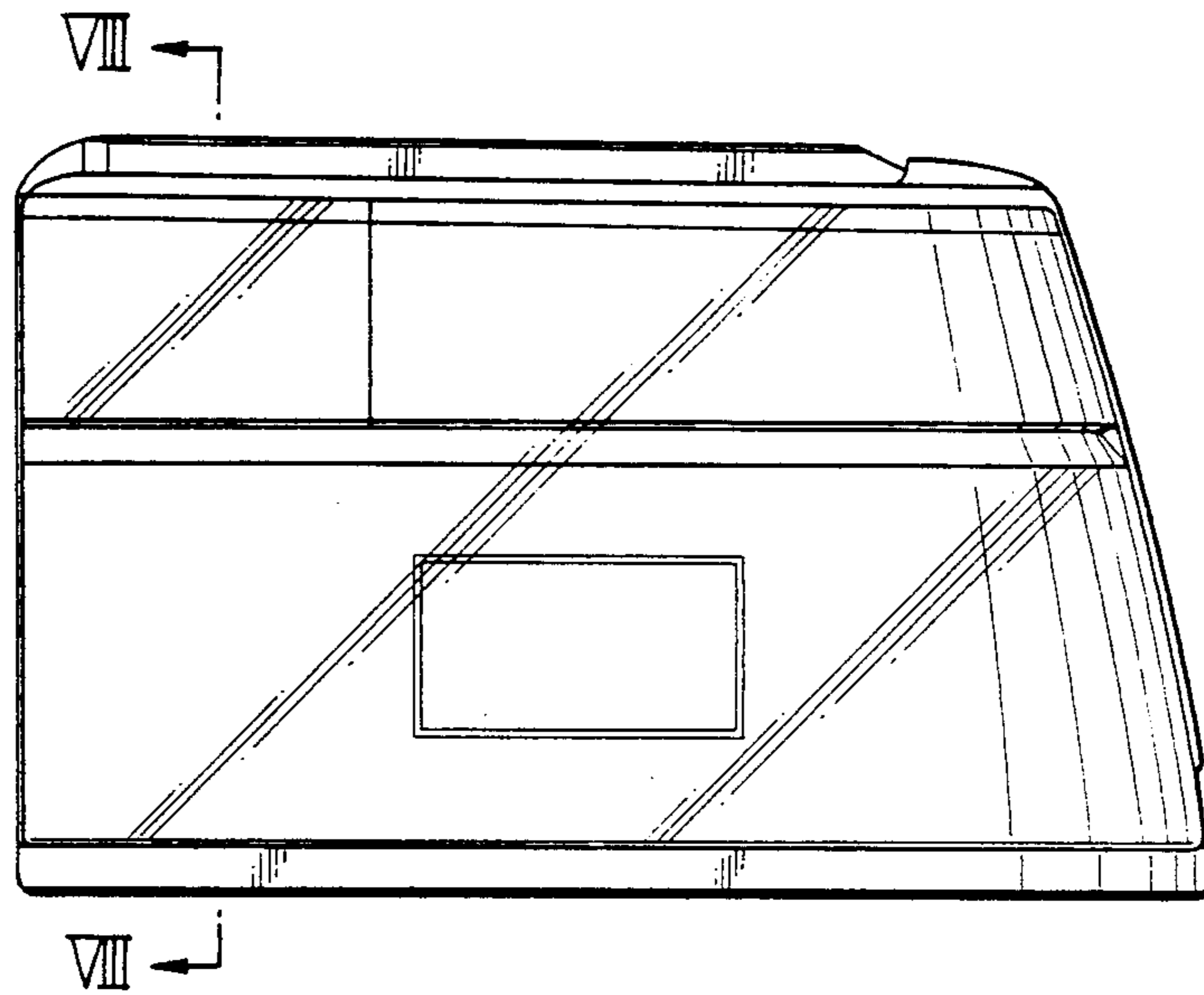
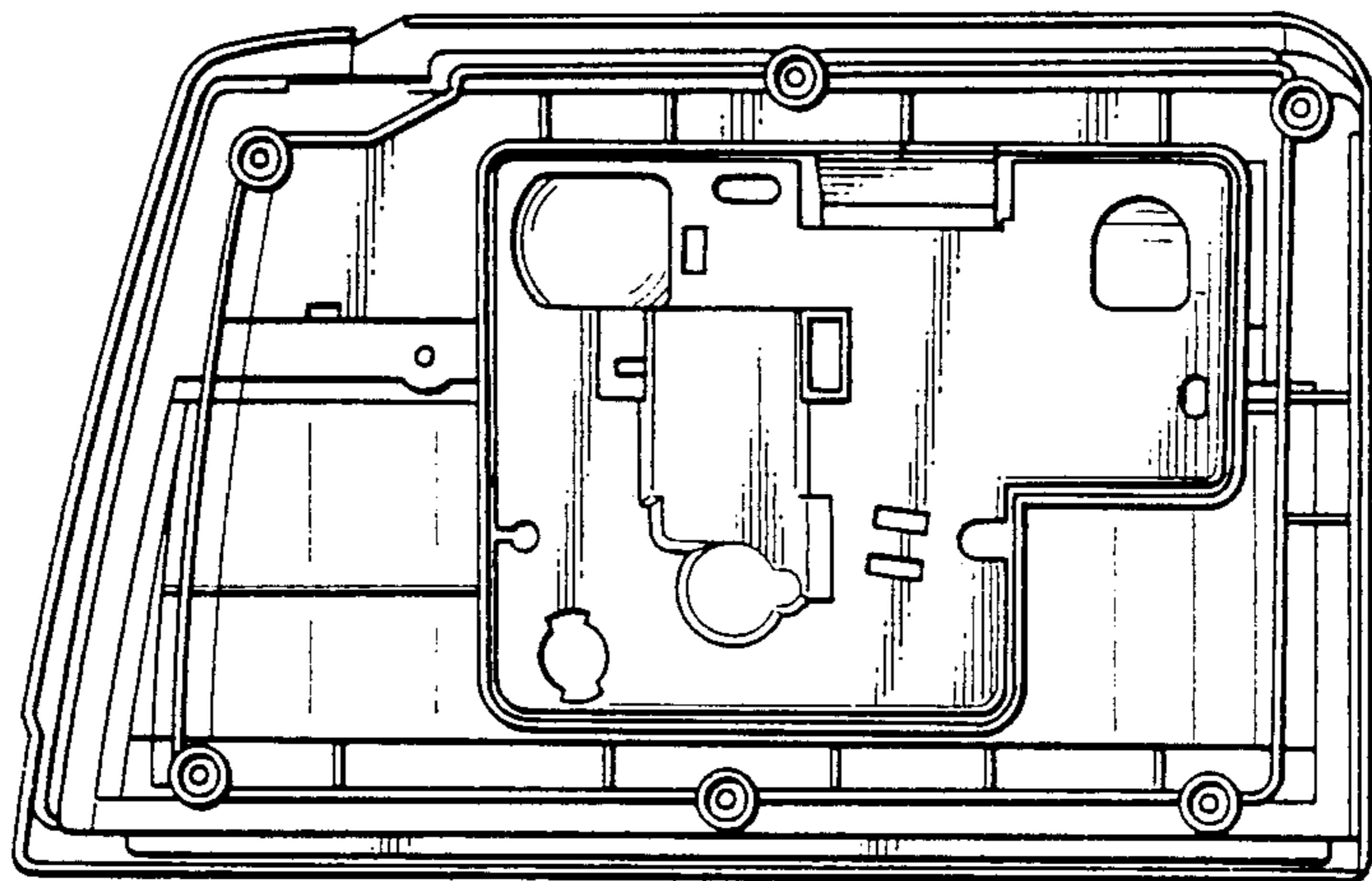
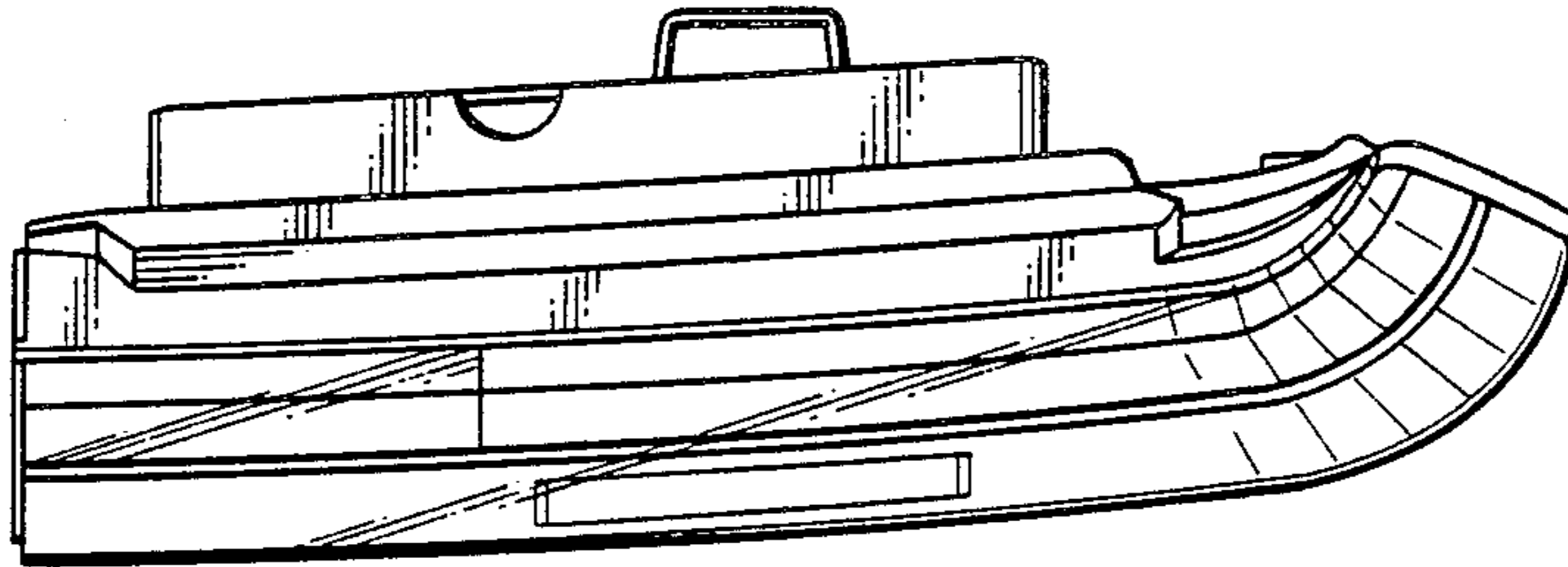


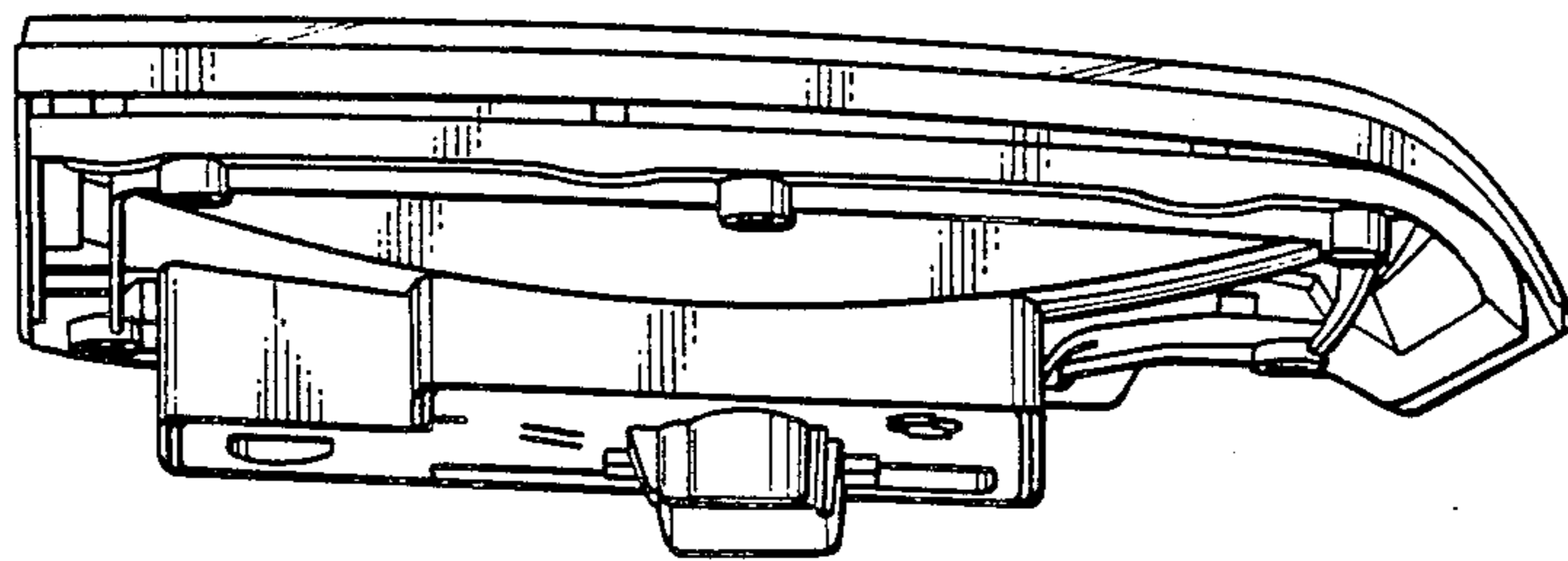
Fig. 3



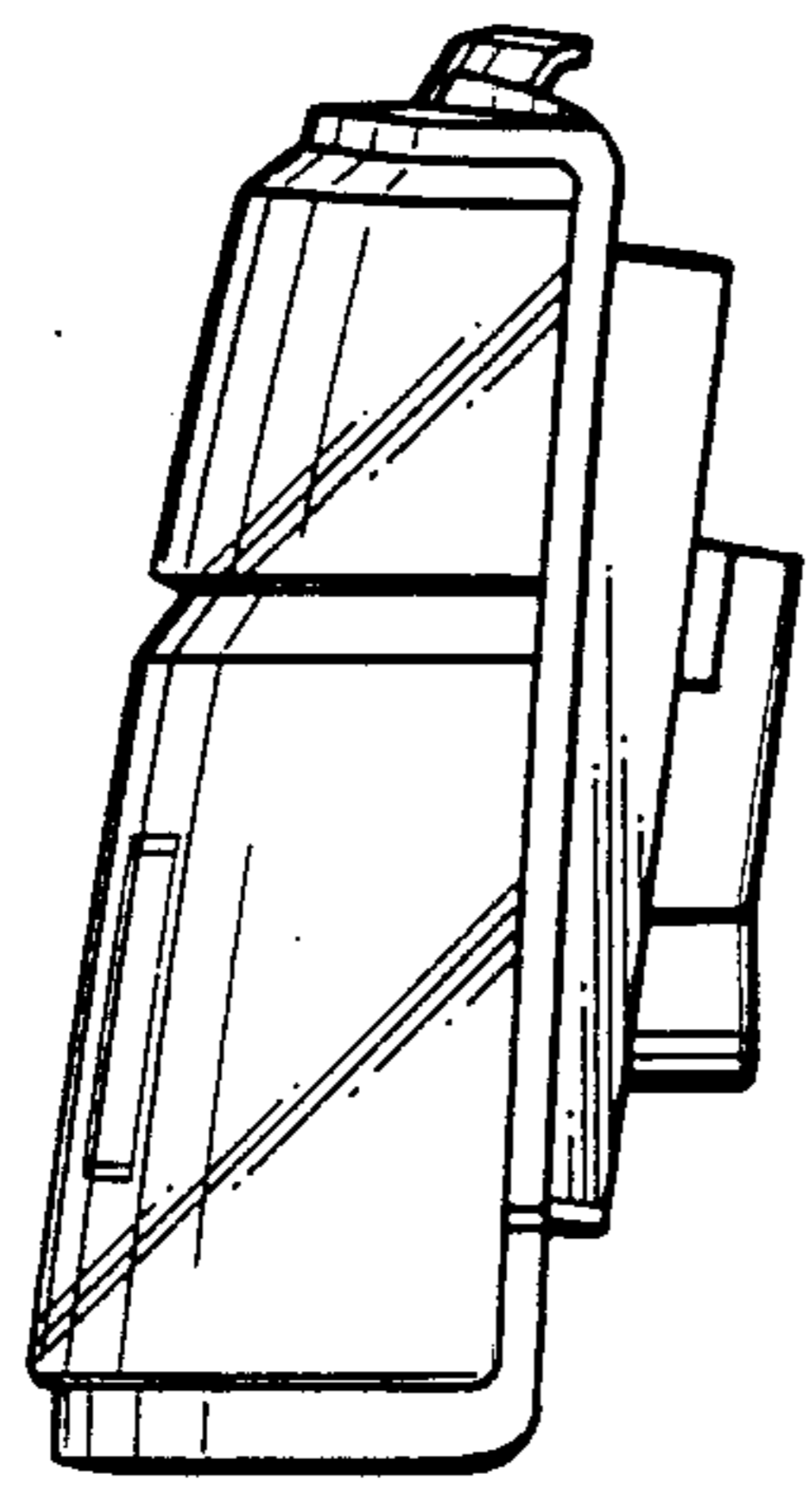
*Fig. 4*



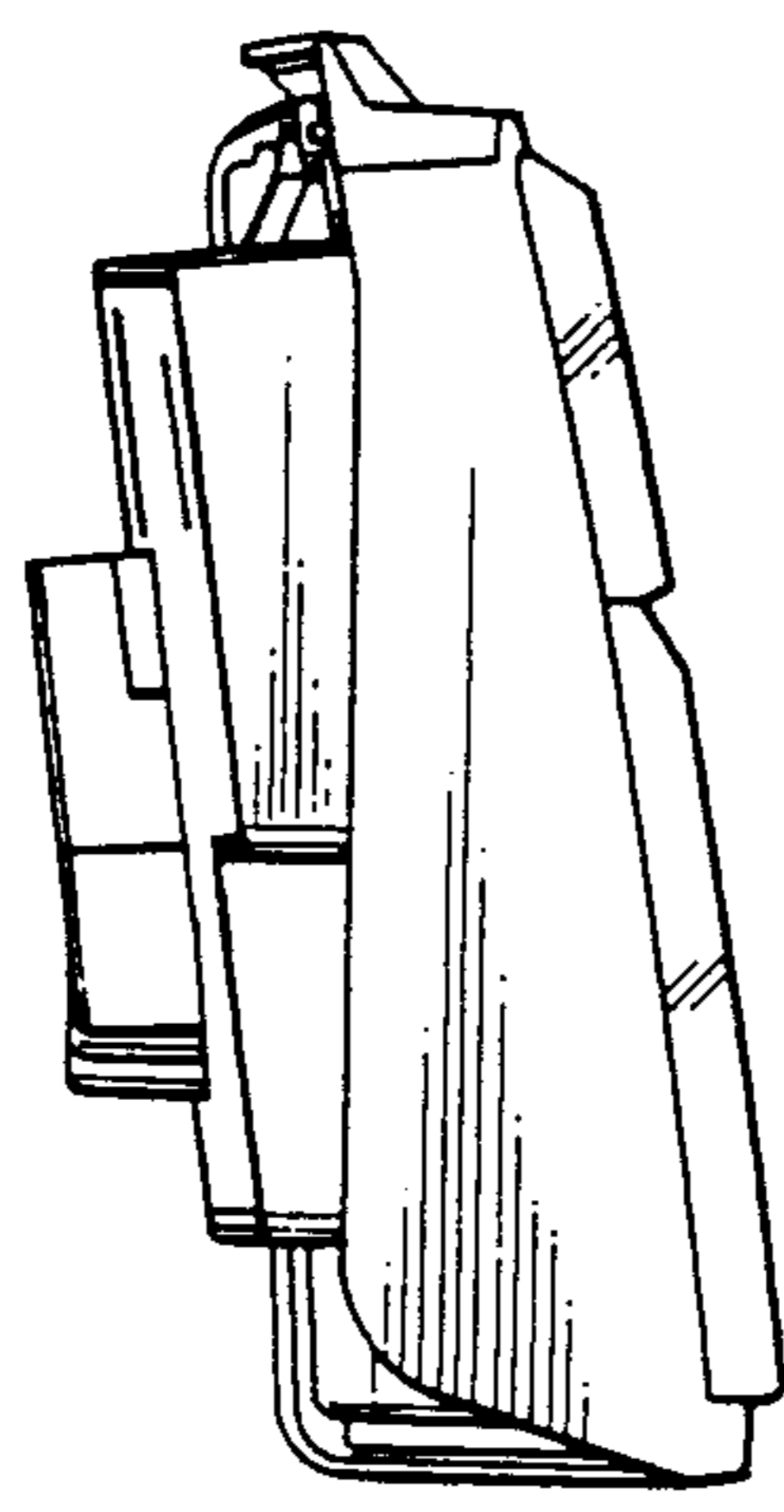
*Fig. 5*



*Fig.6*



*Fig.7*



*Fig.8*

