

United States Patent [19]

Yother et al.

[11] Patent Number: Des. 293,028

[45] Date of Patent: ** Dec. 1, 1987

[54] COMBINATION NIGHT LIGHT AND BANK

[76] Inventors: Lawrence E. Yother; Douglas E. Tucker, both of 4516 S. 26th, Forthsmith, Ark. 72901

[**] Term: 14 Years

[21] Appl. No.: 756,643

[22] Filed: Jul. 19, 1985

[52] U.S. Cl. D26/51; D26/94; D99/27; D99/36; D99/37

[58] Field of Search D26/93-112, D26/51, 57, 58; 362/410, 411, 412, 413, 414, 806; D11/81, 96, 122, 123, 157

[56] **References Cited**

U.S. PATENT DOCUMENTS

D. 145,983 11/1946 Powell D11/122
D. 162,612 3/1951 Ball D99/37

D. 171,541 2/1954 Hailey D99/27
D. 204,411 4/1966 Shirley D26/94
D. 204,795 5/1966 Dickerson D26/51
D. 205,410 8/1966 Gerlat D26/94

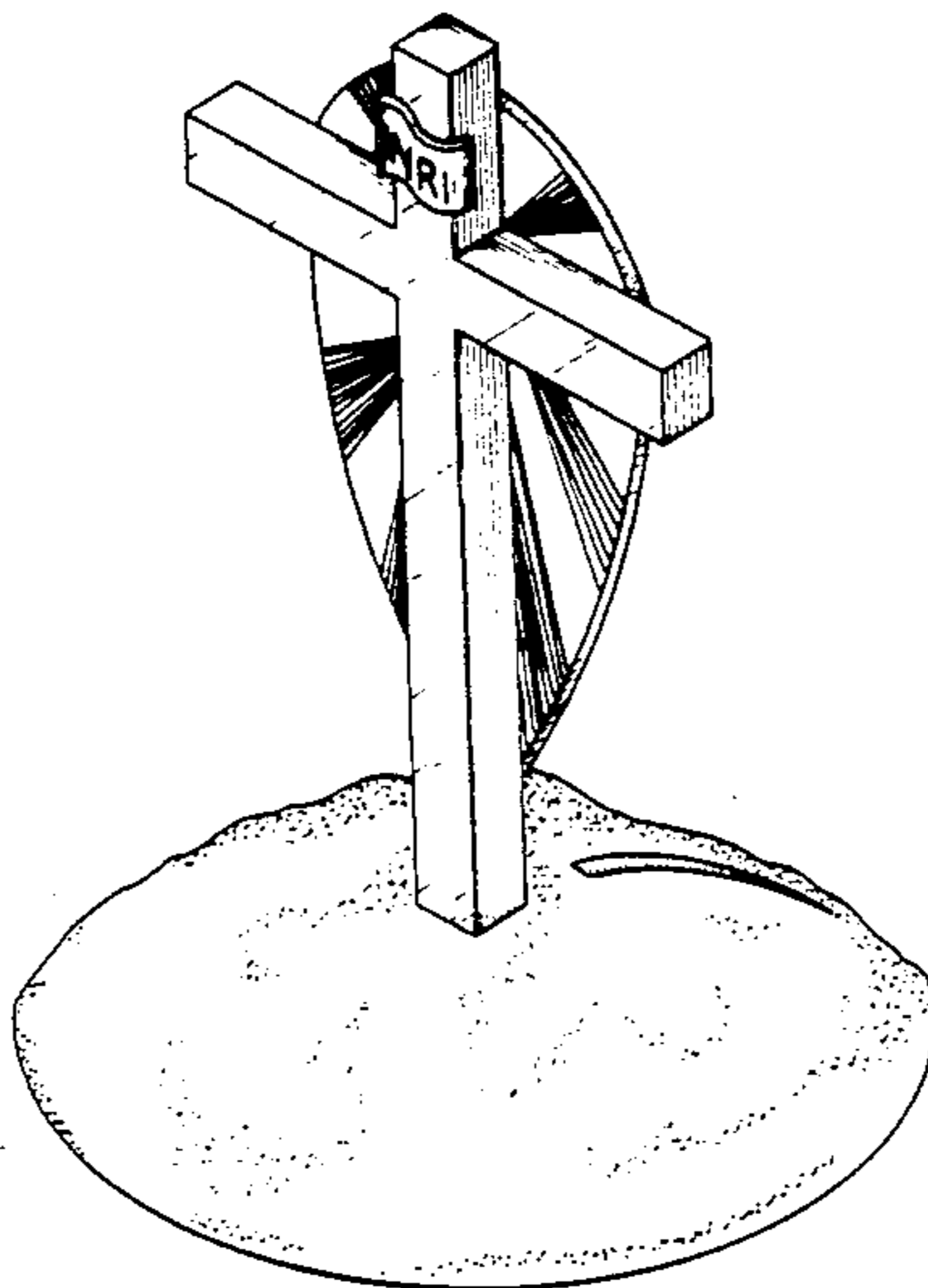
Primary Examiner—Susan J. Lucas
Attorney, Agent, or Firm—Don E. Ferrell

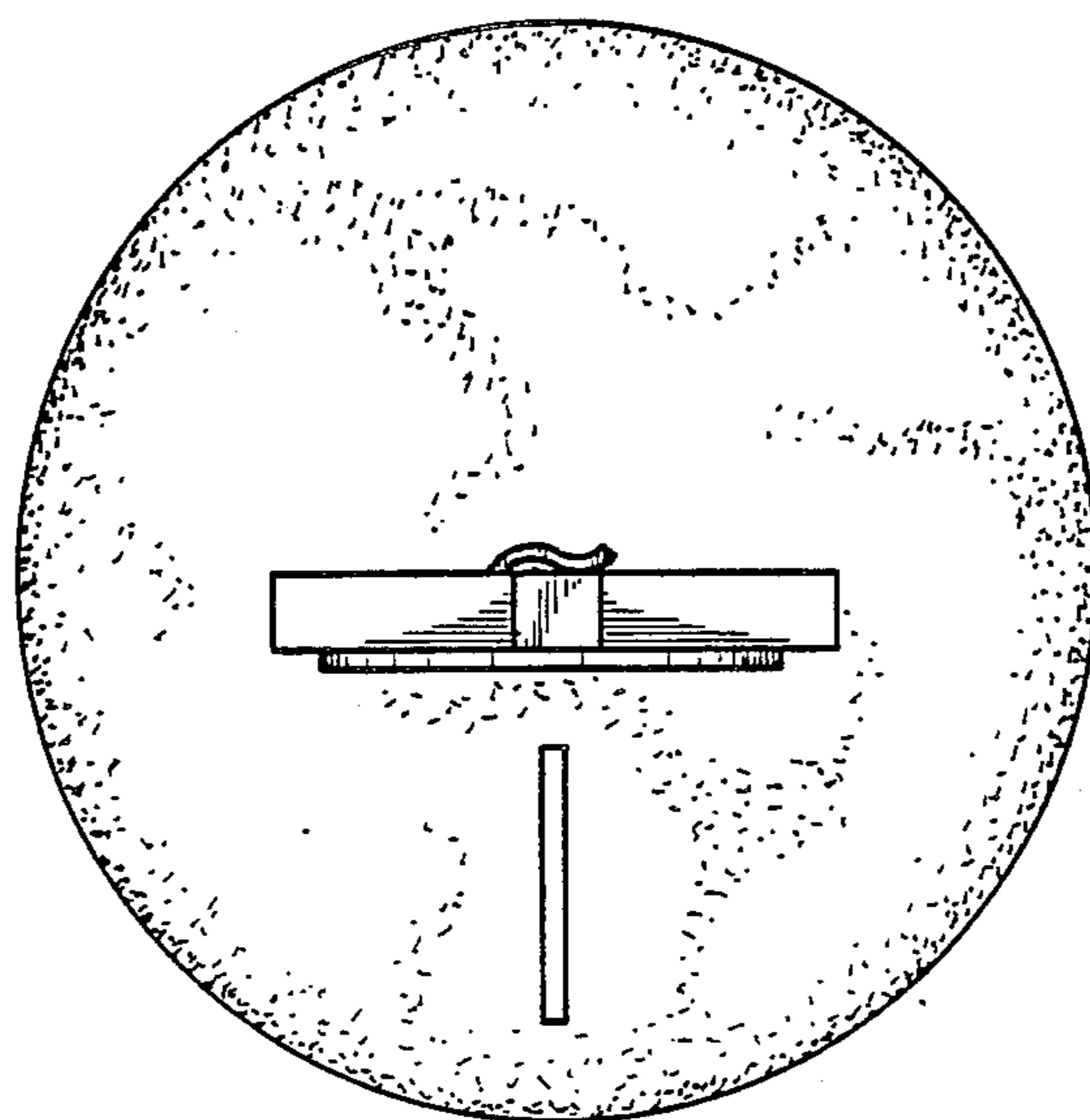
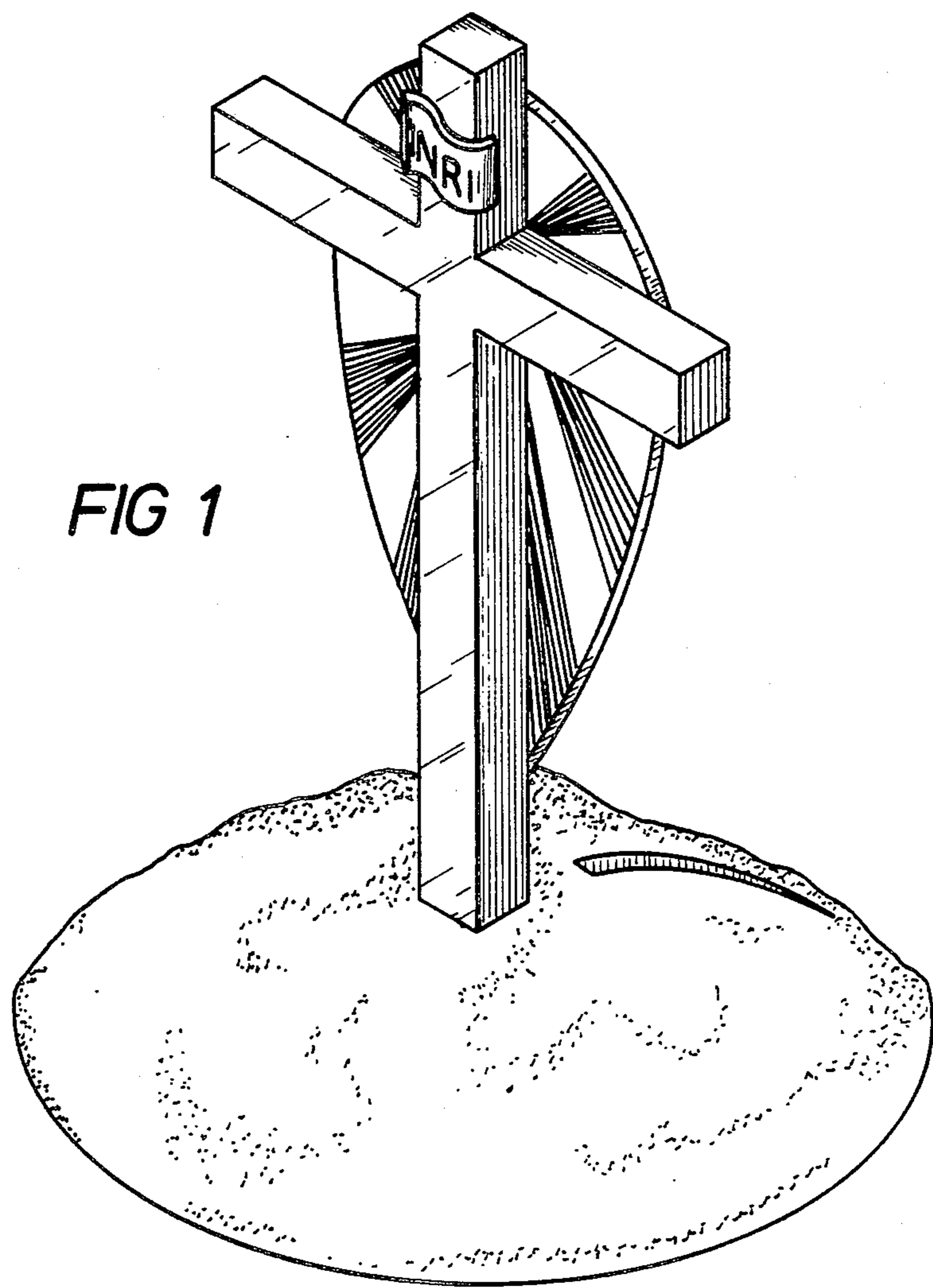
[57] **CLAIM**

The ornamental design for a combination night light and bank, as shown and described.

DESCRIPTION

FIG. 1 is a front perspective view of a combination night light and bank showing our new design; FIG. 2 is a top plan view thereof on a reduced scale; FIG. 3 is a bottom plan view thereof on a reduced scale; FIG. 4 is a side elevational view thereof on a reduced scale, the opposite side being a mirror image; FIG. 5 is a rear elevational view thereof on a reduced scale; and, FIG. 6 is a front elevational view thereof.





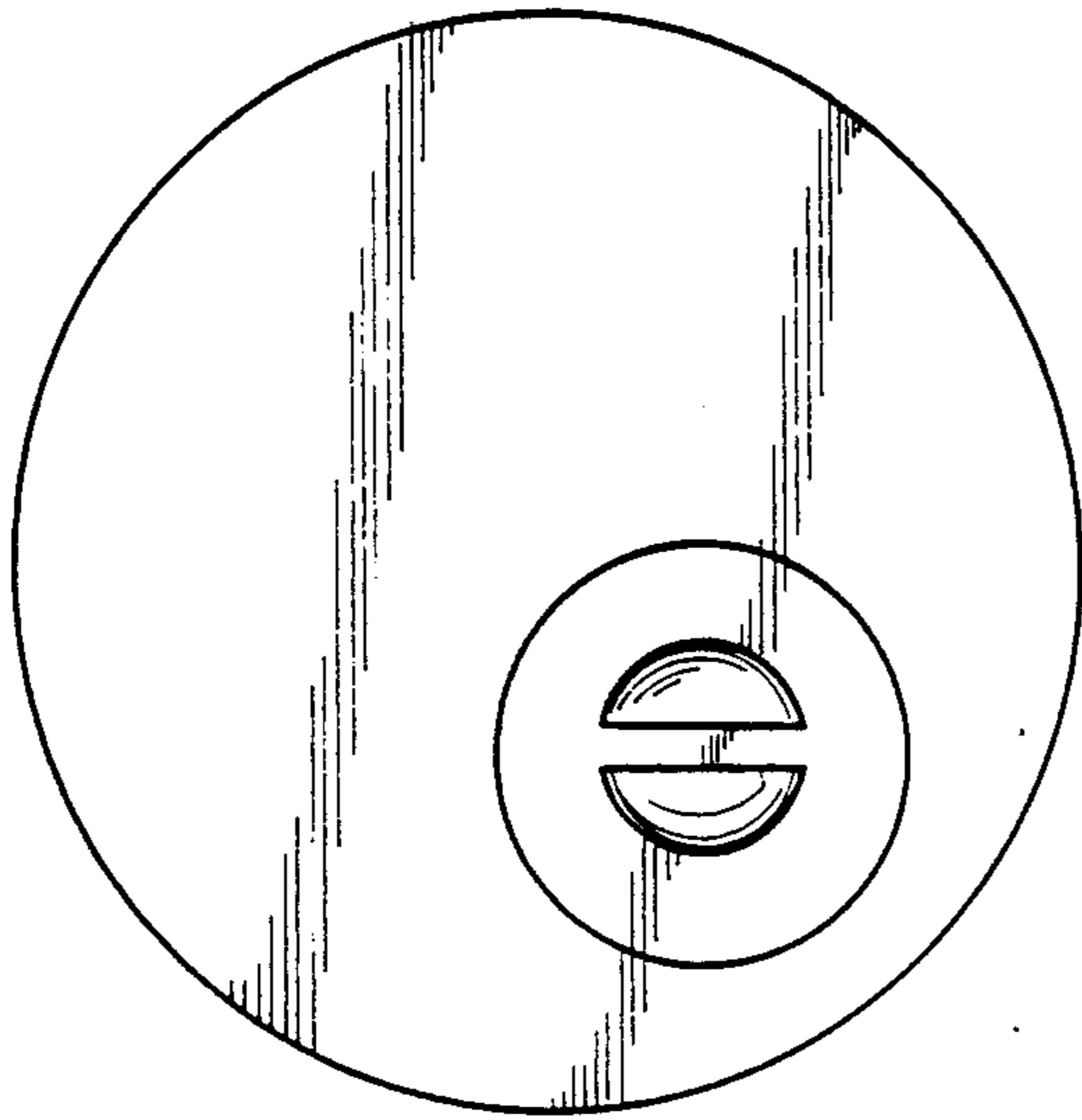


FIG 3

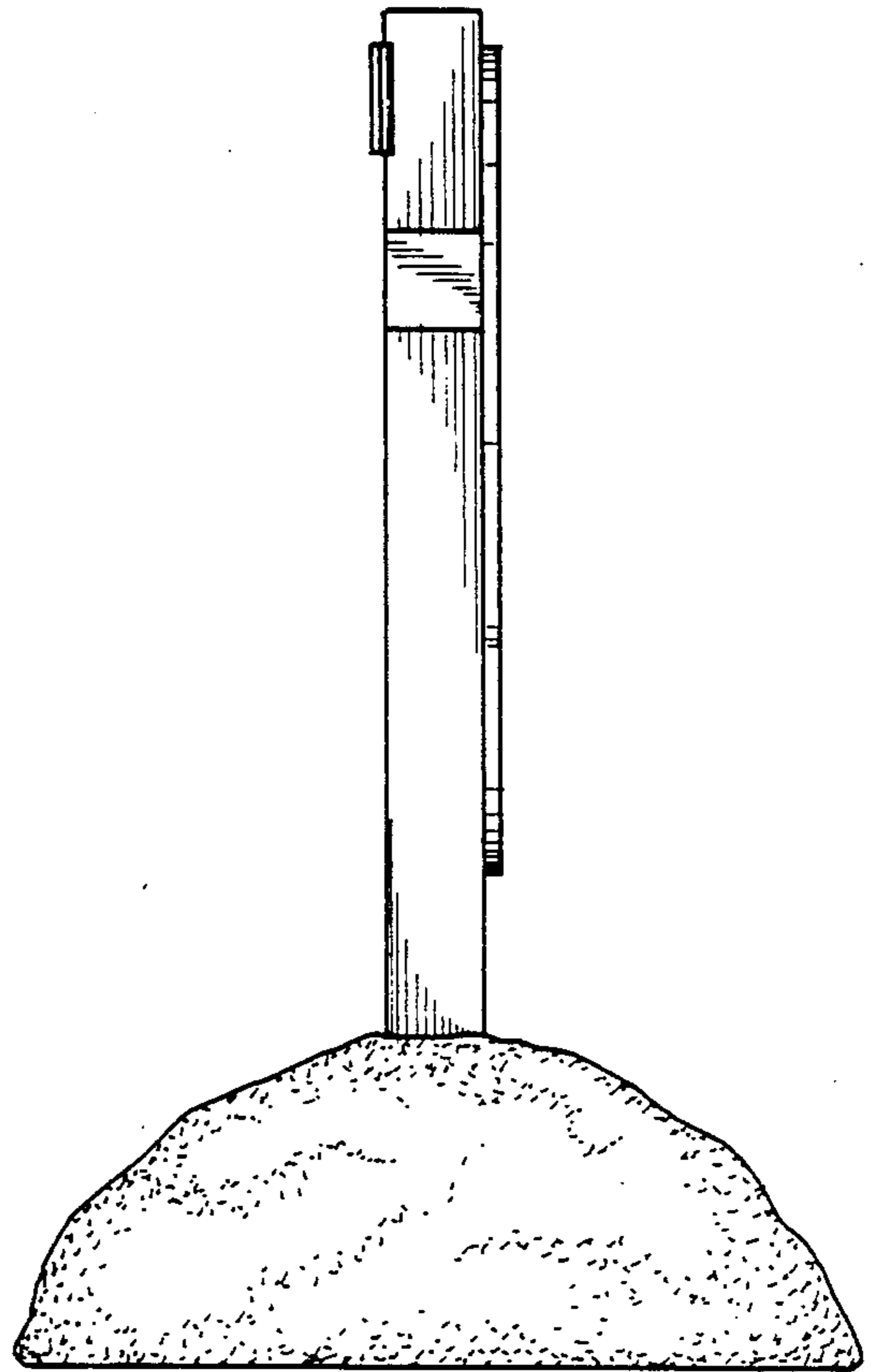


FIG 4

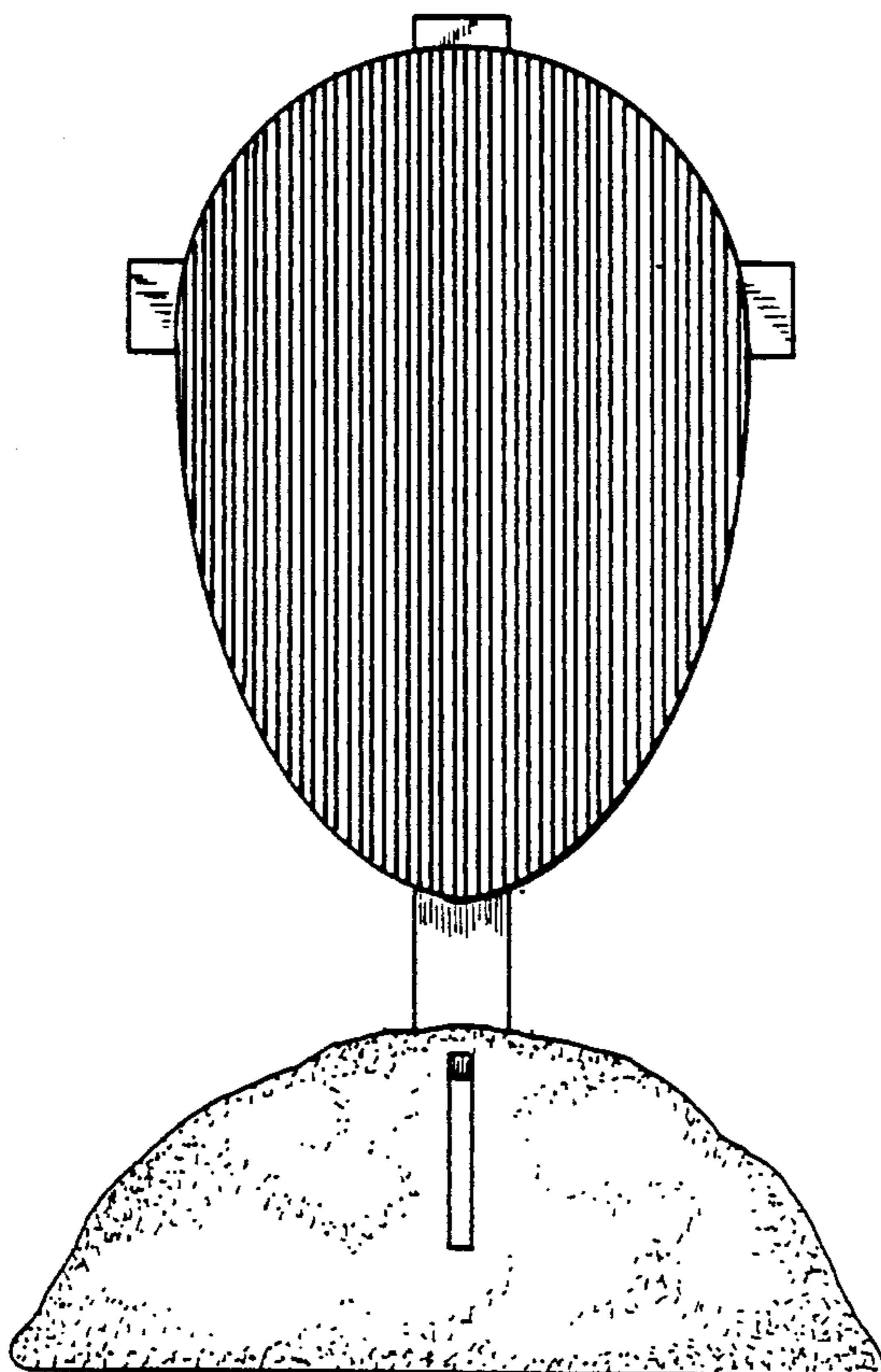


FIG 5

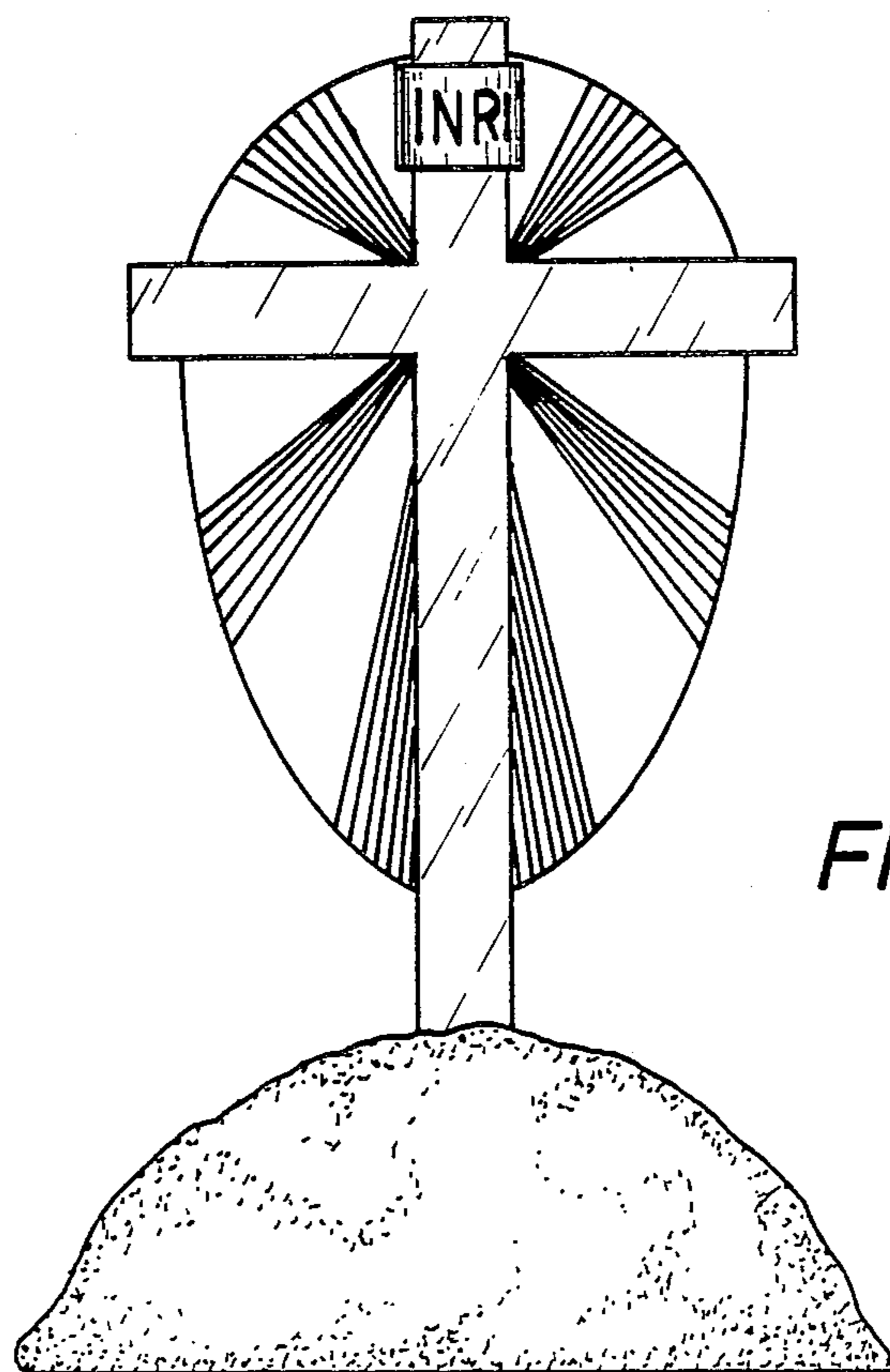


FIG 6