

United States Patent [19]

Shwisha

[11] Patent Number: Des. 293,026

[45] Date of Patent: ** Dec. 1, 1987

[54] LAMP

[75] Inventor: Haim Shwisha, Westport, Conn.

[73] Assignee: Electrix, Inc., New Haven, Conn.

[**] Term: 14 Years

[21] Appl. No.: 749,204

[22] Filed: Jun. 27, 1985

[52] U.S. Cl. D26/24; D26/61

[58] Field of Search D26/60-66,
D26/24; 362/410, 411, 413, 414, 418, 427, 269,
275, 217

[56] **References Cited**

U.S. PATENT DOCUMENTS

D. 225,262 11/1972 Houplain D26/65
3,428,798 2/1969 Hilzen 362/217

OTHER PUBLICATIONS

Neo-Ray Products Inc. Designers Portfolio, Net Price Schedule, 1983, p. 19, "Raylite" Series 160 Spotlight. Stilnovo Lighting Catalog 56, 7-1983, p. 19, Par 38 Lamp #67801/2 (bottom right).

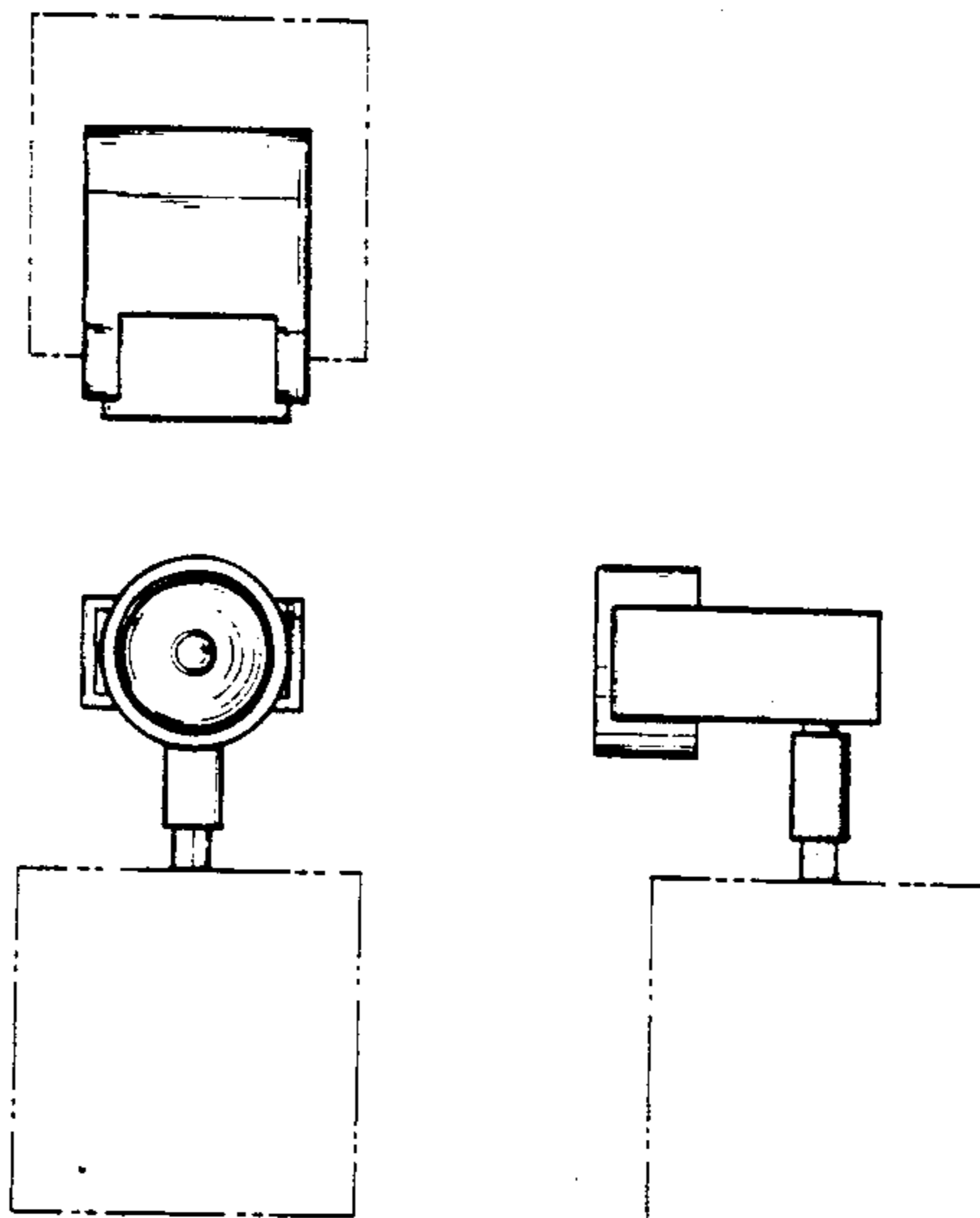
Primary Examiner—Susan J. Lucas
Attorney, Agent, or Firm—Bachman & LaPointe

[57] **CLAIM**

The ornamental design for a lamp, as shown and described.

DESCRIPTION

FIG. 1 is a front elevational view of a lamp showing my new design;
FIG. 2 is a side elevational view thereof, the opposite side being a mirror image;
FIG. 3 is a rear elevational view thereof;
FIG. 4 is a top view thereof;
FIG. 5 is a bottom view thereof.



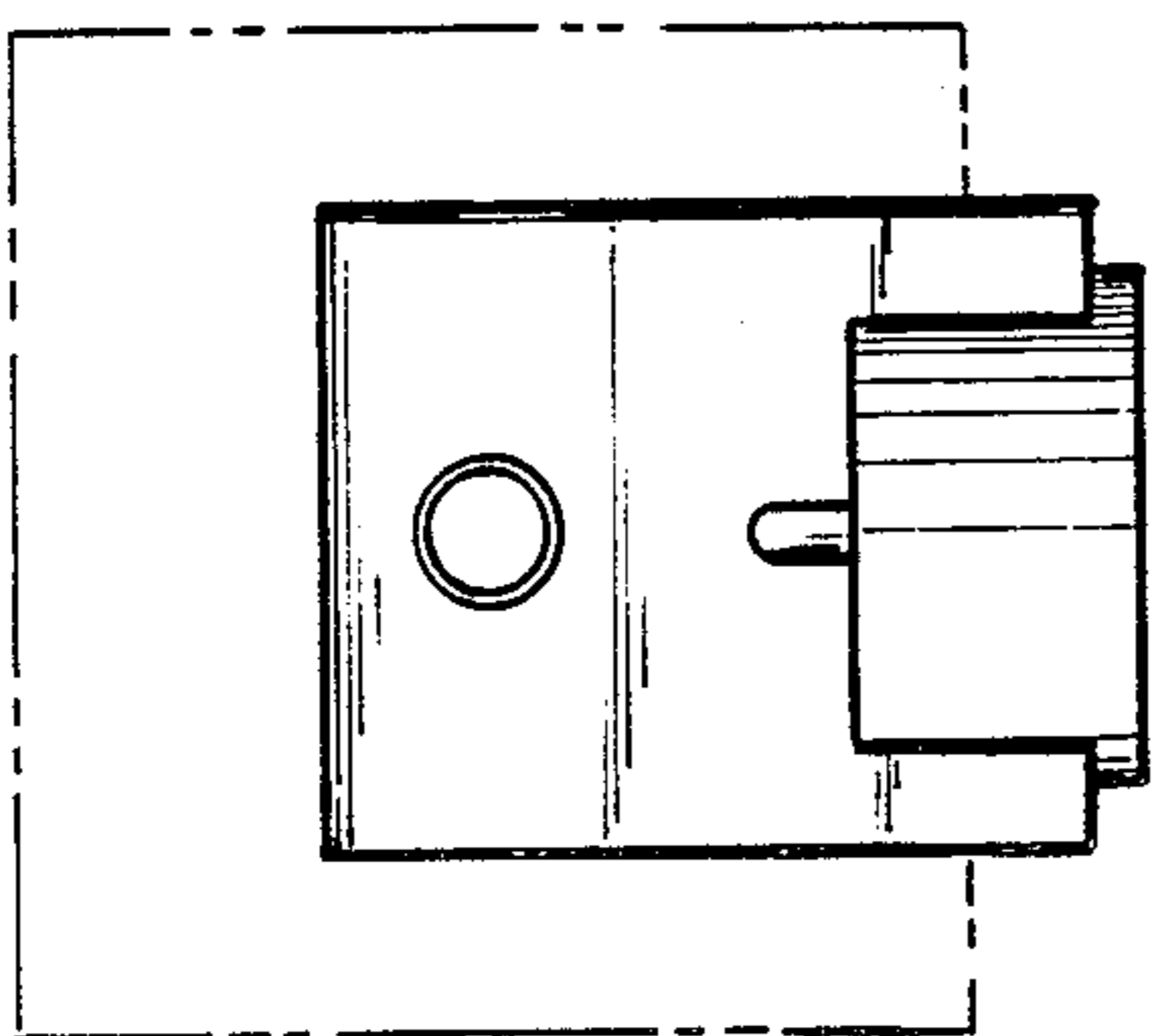


FIG-5

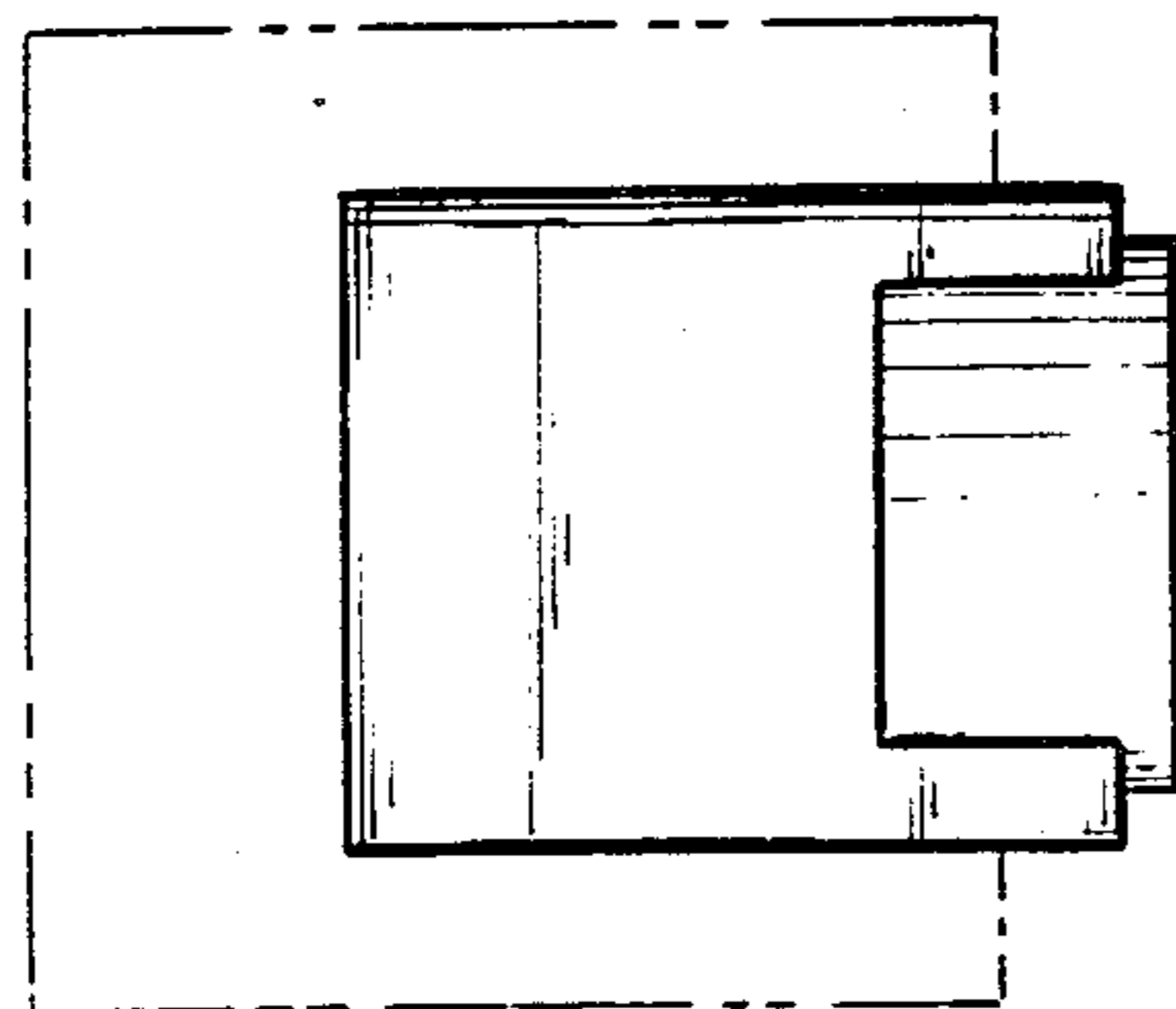


FIG-4

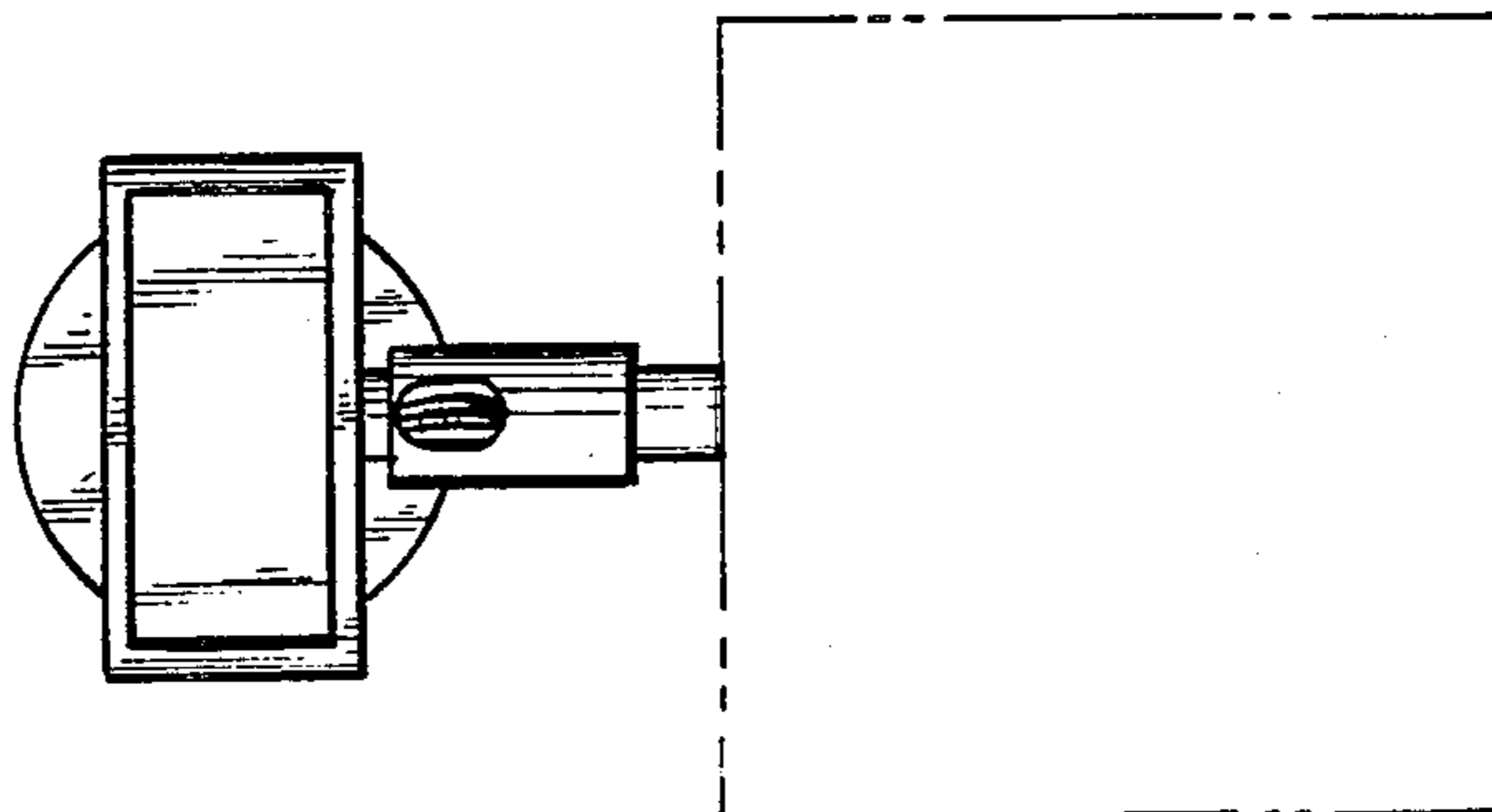


FIG-3

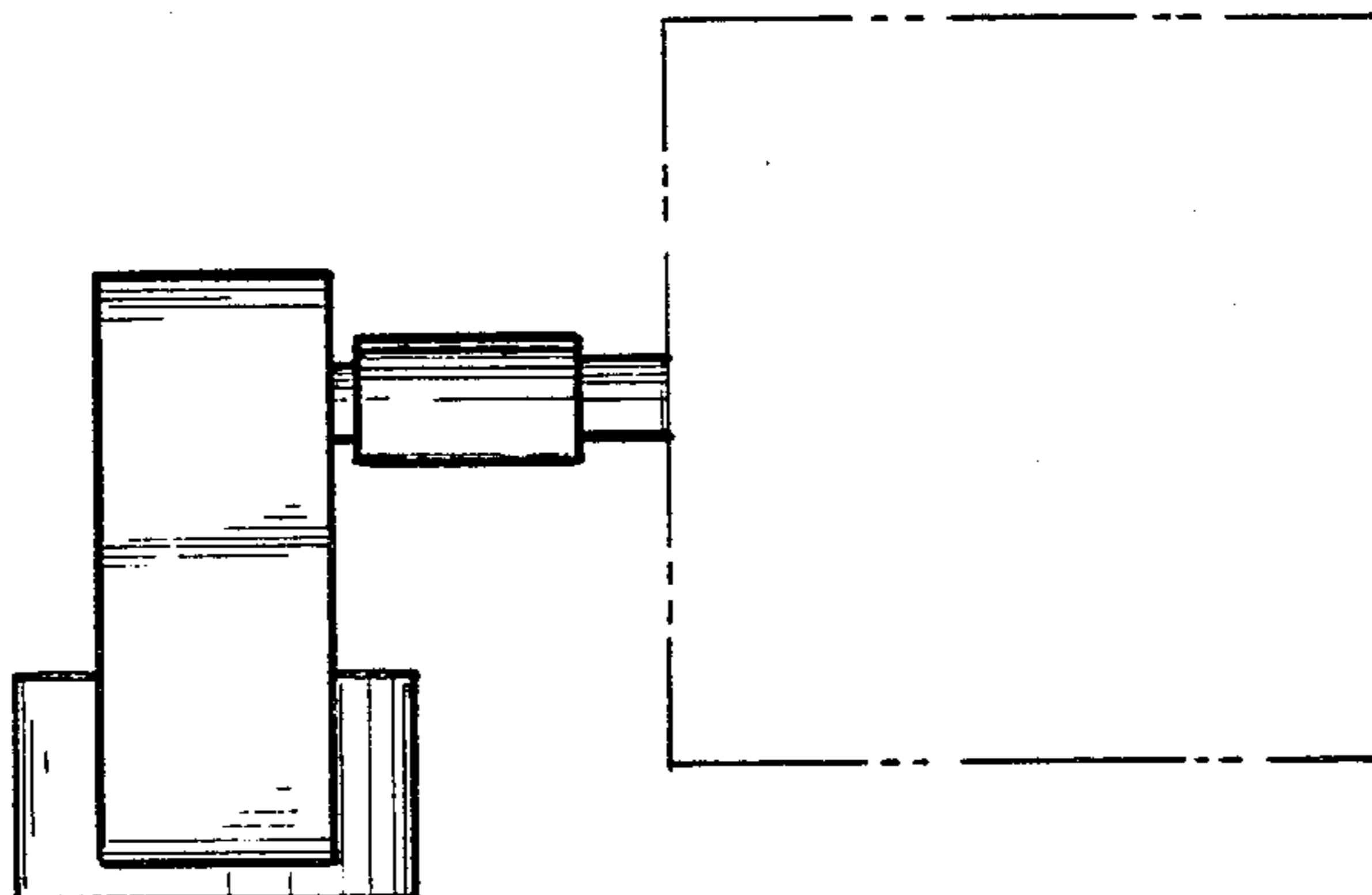


FIG-2

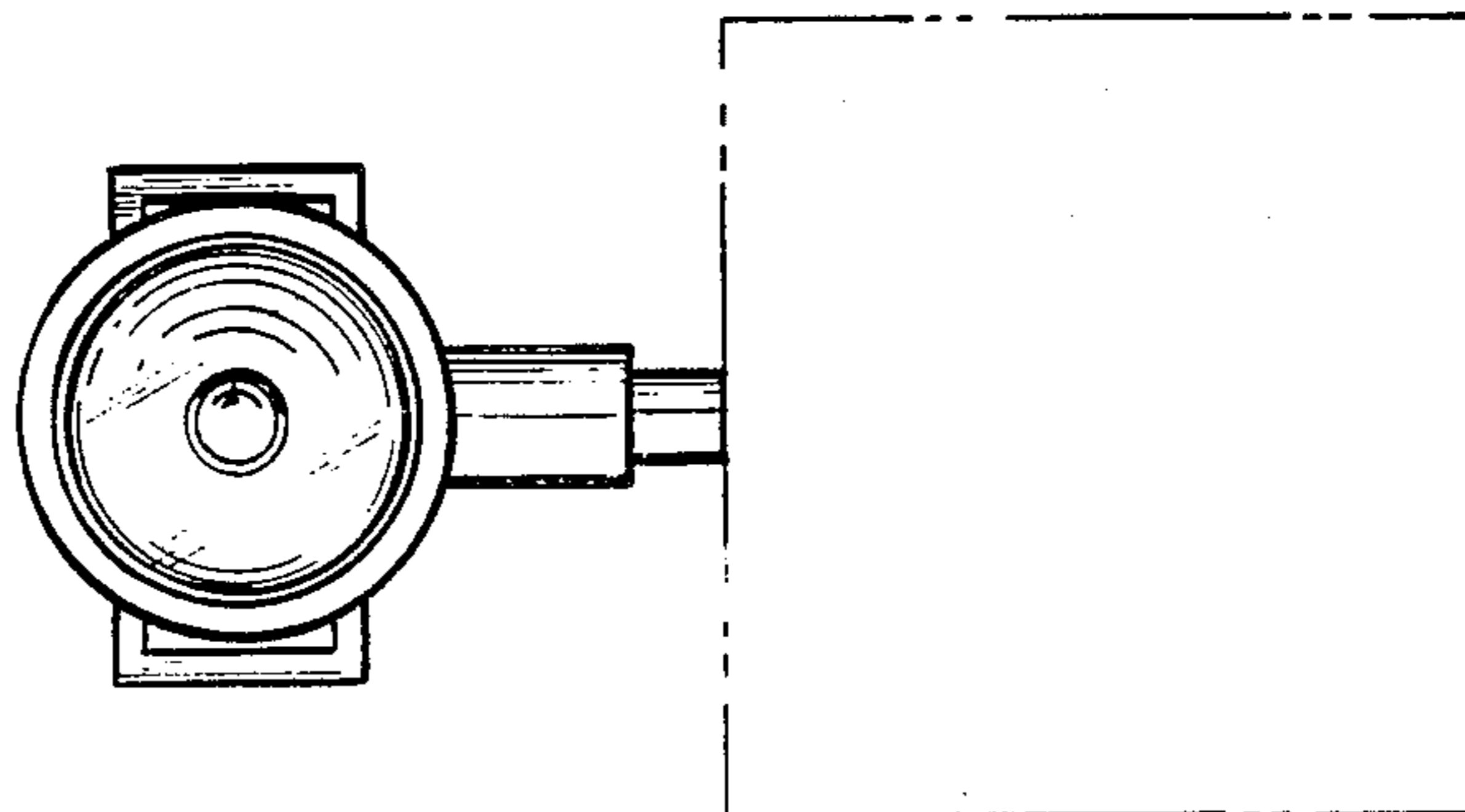


FIG-1