

[54] COMPARTMENTED PACKAGING CONTAINER FOR DENTAL MATERIALS OR THE LIKE

[75] Inventors: Robert D. Holewinski, Lakehurst; Leslie Hamilton, Trenton, both of N.J.

[73] Assignee: Johnson & Johnson Dental Products, Company, East Windsor, N.J.

[**] Term: 14 Years

[21] Appl. No.: 731,706

[22] Filed: May 8, 1985

[52] U.S. Cl. D24/31; D9/347; D9/341; D9/345

[58] Field of Search D9/341, 347, 345, 420, D9/423, 424; D28/76, 77, 83, 99; D3/30.1; D24/31

[56] References Cited

U.S. PATENT DOCUMENTS

- D. 159,157 6/1950 Koester D9/341
- D. 183,379 8/1958 Alley D3/39 X
- D. 256,994 9/1980 MacGregor D9/347
- D. 275,425 9/1984 Briggs D3/39 X

- D. 275,713 9/1984 Bosworth D9/347 X
- D. 280,290 8/1985 Bakus D9/425 X
- D. 280,884 10/1985 Holewinski et al. D9/347 X
- D. 282,233 1/1986 Kelley D9/347 X
- D. 282,577 2/1986 Neumeister D24/31 X
- D. 288,233 2/1987 Blaterwick et al. D24/31
- D. 288,606 3/1987 Blaterwick et al. D24/31

Primary Examiner—Robert C. Spangler

[57] CLAIM

The ornamental design for a compartmented packaging container for dental materials or the like, as shown.

DESCRIPTION

FIG. 1 is a top perspective view of a compartmented packaging container for dental materials or the like showing our new design;

FIG. 2 is a side elevational view;

FIG. 3 is a side elevational view showing the side opposite to that seen in FIG. 2;

FIG. 4 is a front elevational view;

FIG. 5 is a rear elevational view;

FIG. 6 is a top plan view;

FIG. 7 is a bottom plan view; and

FIG. 8 is a view similar to FIG. 1 but showing the cover open.

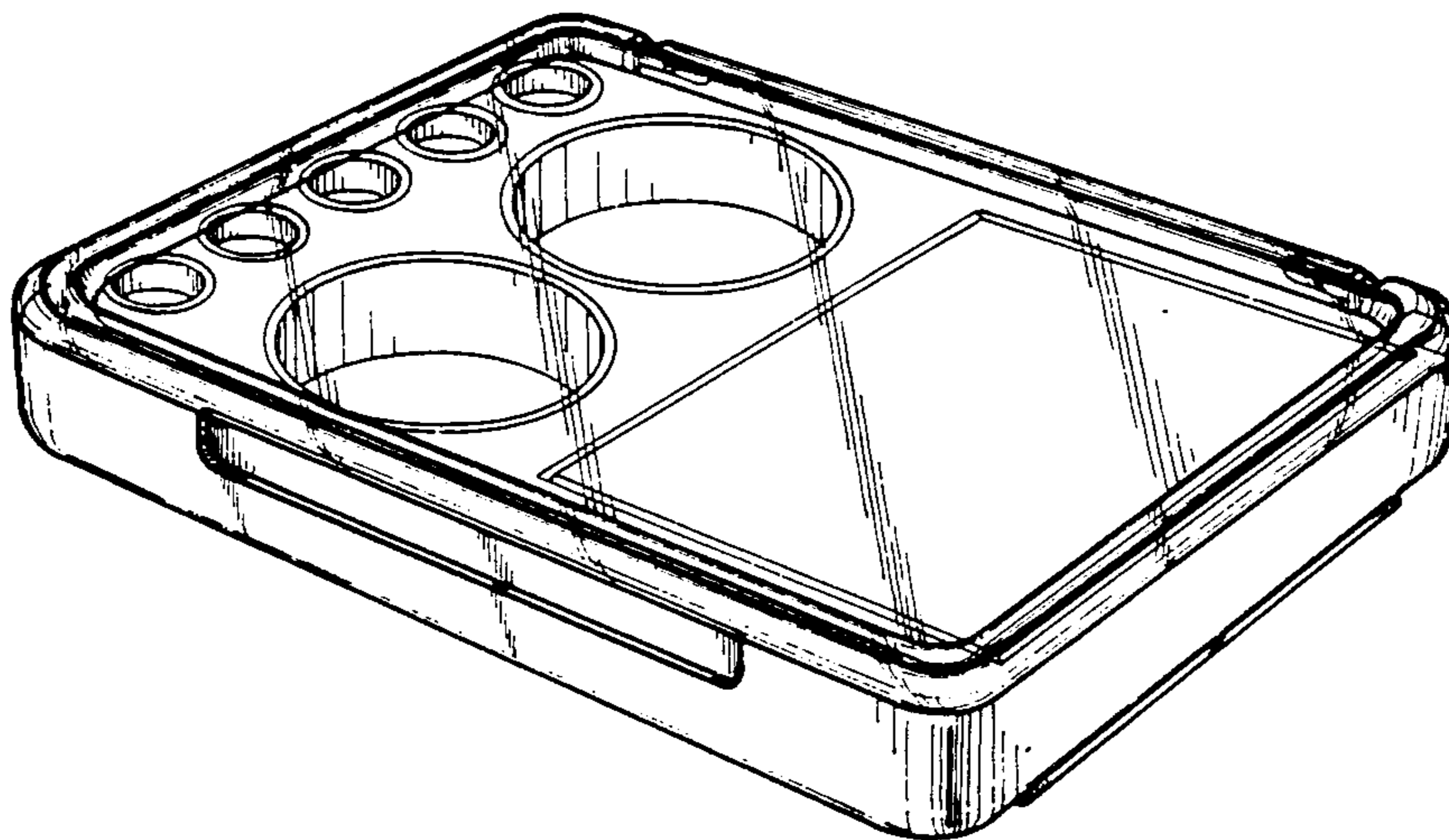


FIG-1

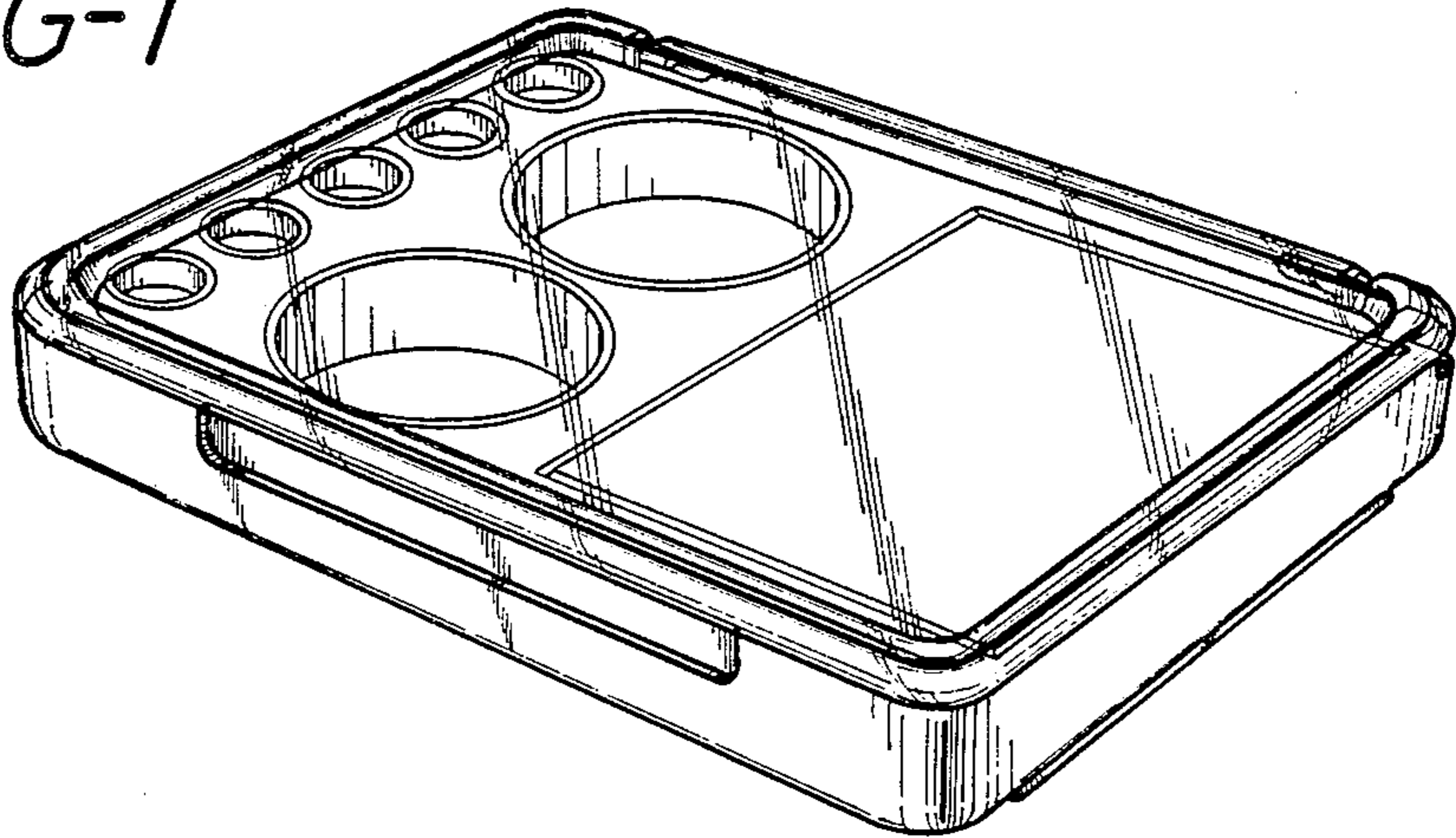


FIG-2

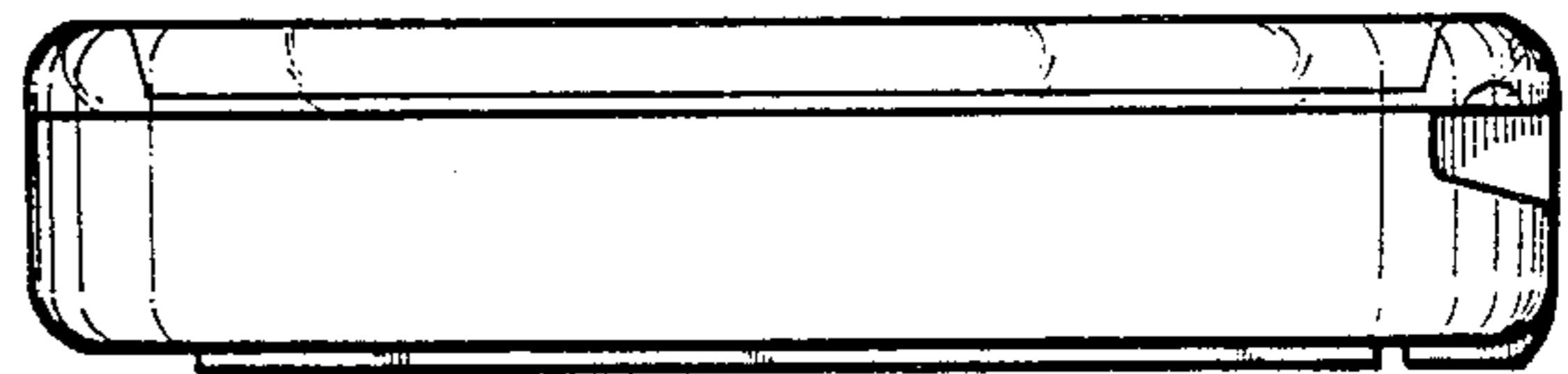


FIG-3

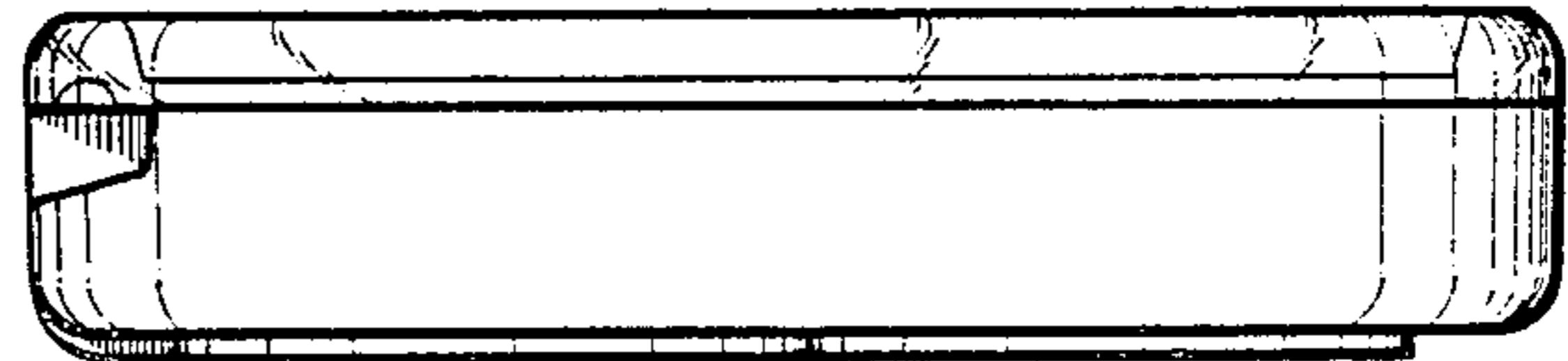


FIG-4



FIG-5

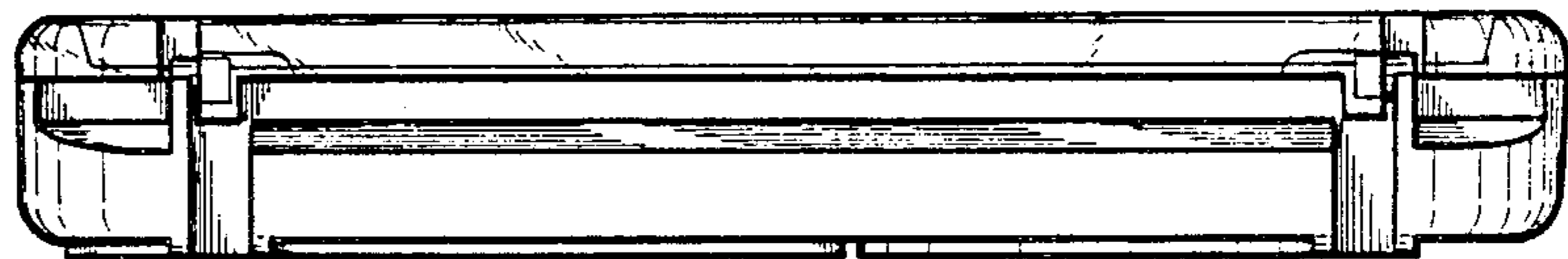


FIG-6

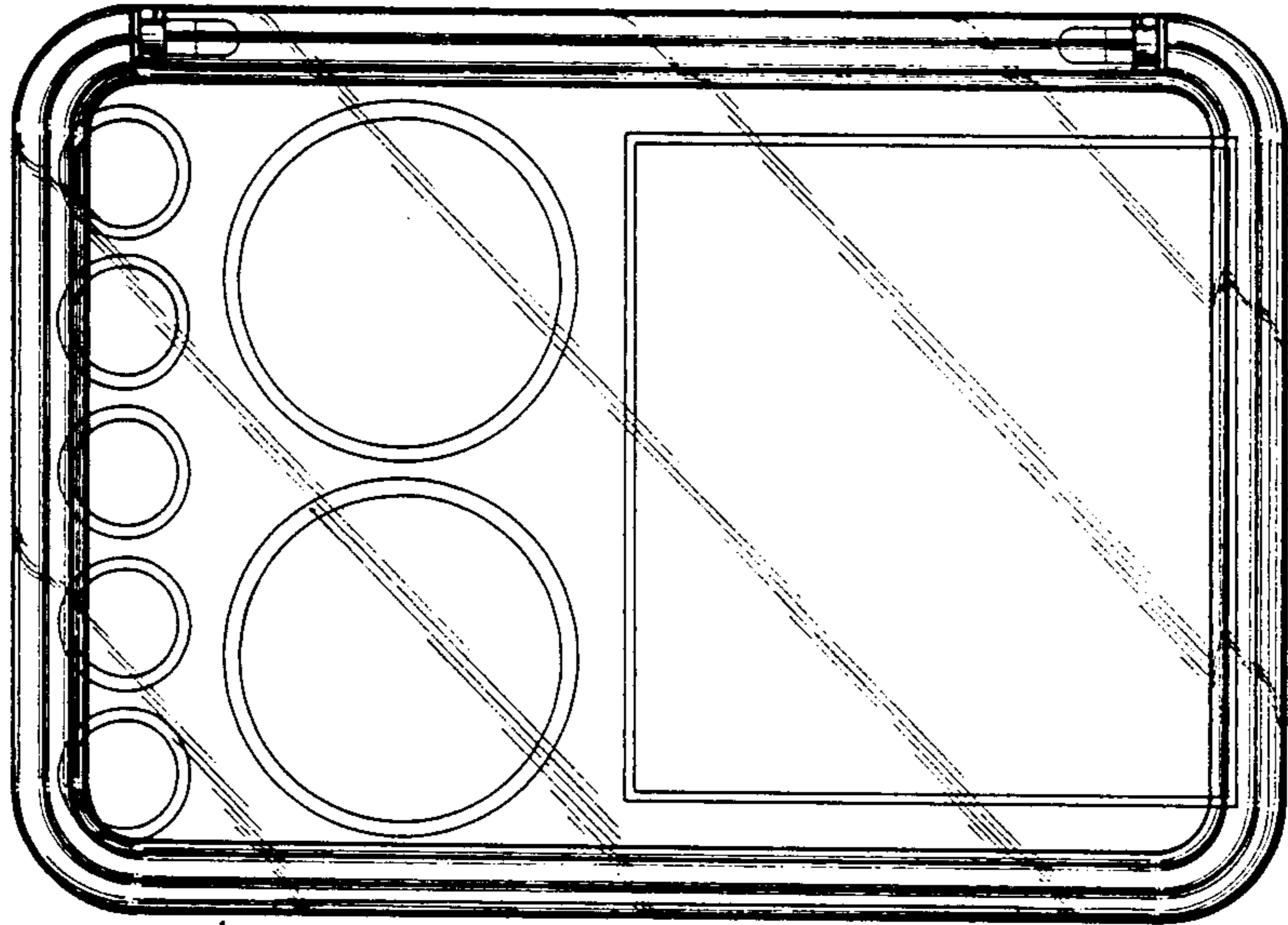


FIG-7

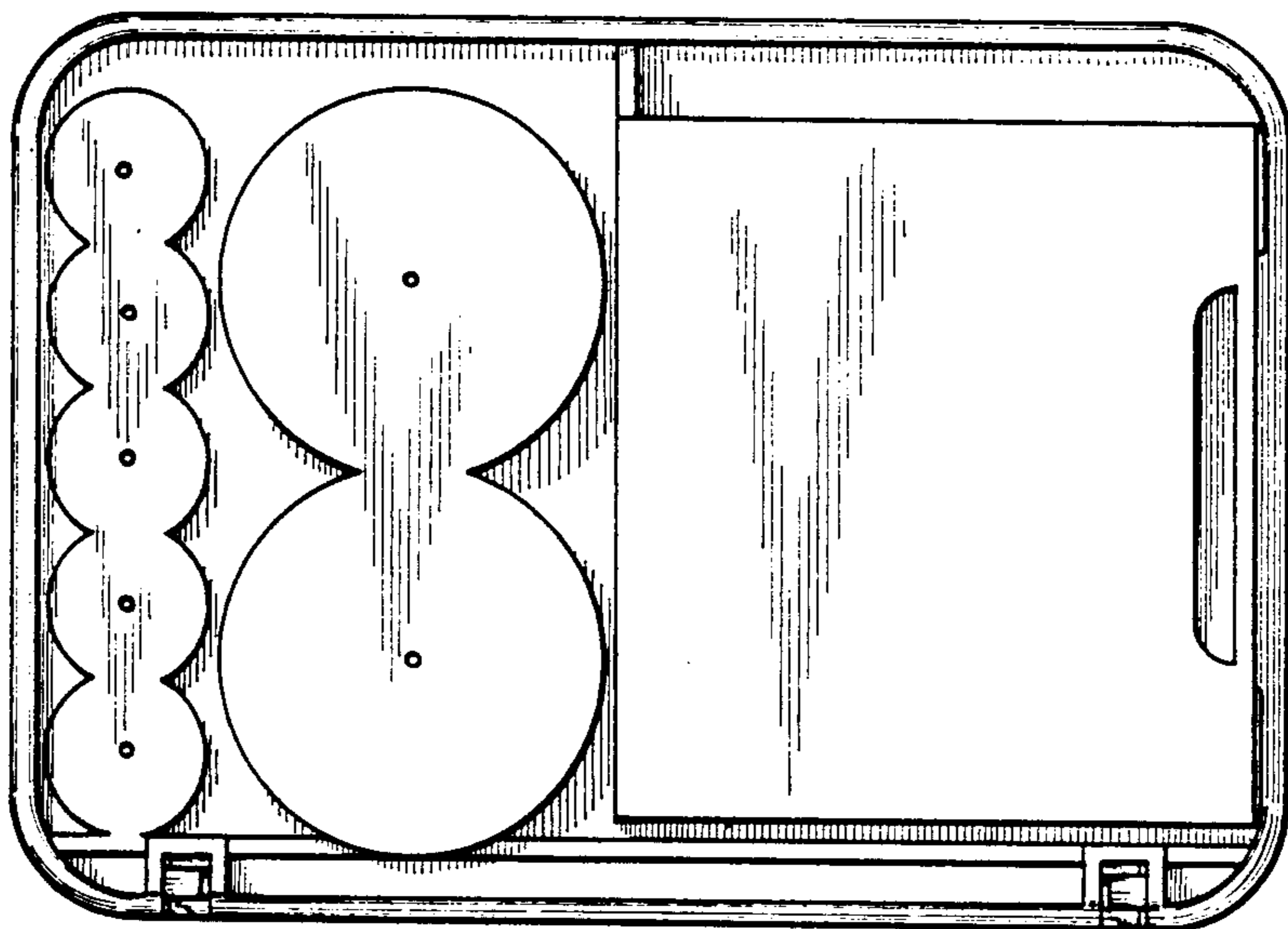


FIG-8

