

United States Patent [19]

Giurtino

[11] Patent Number: Des. 293,023

[45] Date of Patent: ** Dec. 1, 1987

[54] CARDIAC PACER ANALYZER

[75] Inventor: Joel F. Giurtino, Miami, Fla.

[73] Assignee: Cordis Corporation, Miami, Fla.

[**] Term: 14 Years

[21] Appl. No.: 736,631

[22] Filed: May 21, 1985

[52] U.S. Cl. D24/17; D24/8

[58] Field of Search D24/8, 17, 21;
128/419 P, 419 PG, 419 PT, 706, 705, 715;
D10/46, 49; D14/106

[56] References Cited

U.S. PATENT DOCUMENTS

D. 288,478 2/1987 Carlson et al. D24/17
4,141,367 2/1979 Ferreira 128/419 PT
4,295,468 10/1981 Bartelt 128/419 PT

4,305,397 12/1981 Weisbrod et al. 128/419 PT
4,432,360 2/1984 Mumford et al. 128/419 PG

Primary Examiner—A. Hugo Word
Assistant Examiner—Stella M. Reid
Attorney, Agent, or Firm—Lockwood, Alex, FitzGibbon
& Cummings

[57] CLAIM

The ornamental design for a cardiac pacer analyzer, substantially as shown and described.

DESCRIPTION

FIG. 1 is a perspective view of a cardiac pacer analyzer showing my new design.

FIG. 2 is a top plan view thereof.

FIG. 3 is an elevational view of one side thereof.

FIG. 4 is an elevational view of the other side thereof.

FIG. 5 is a front elevational view thereof.

FIG. 6 is a rear elevational view thereof.

FIG. 7 is a bottom plan view thereof.

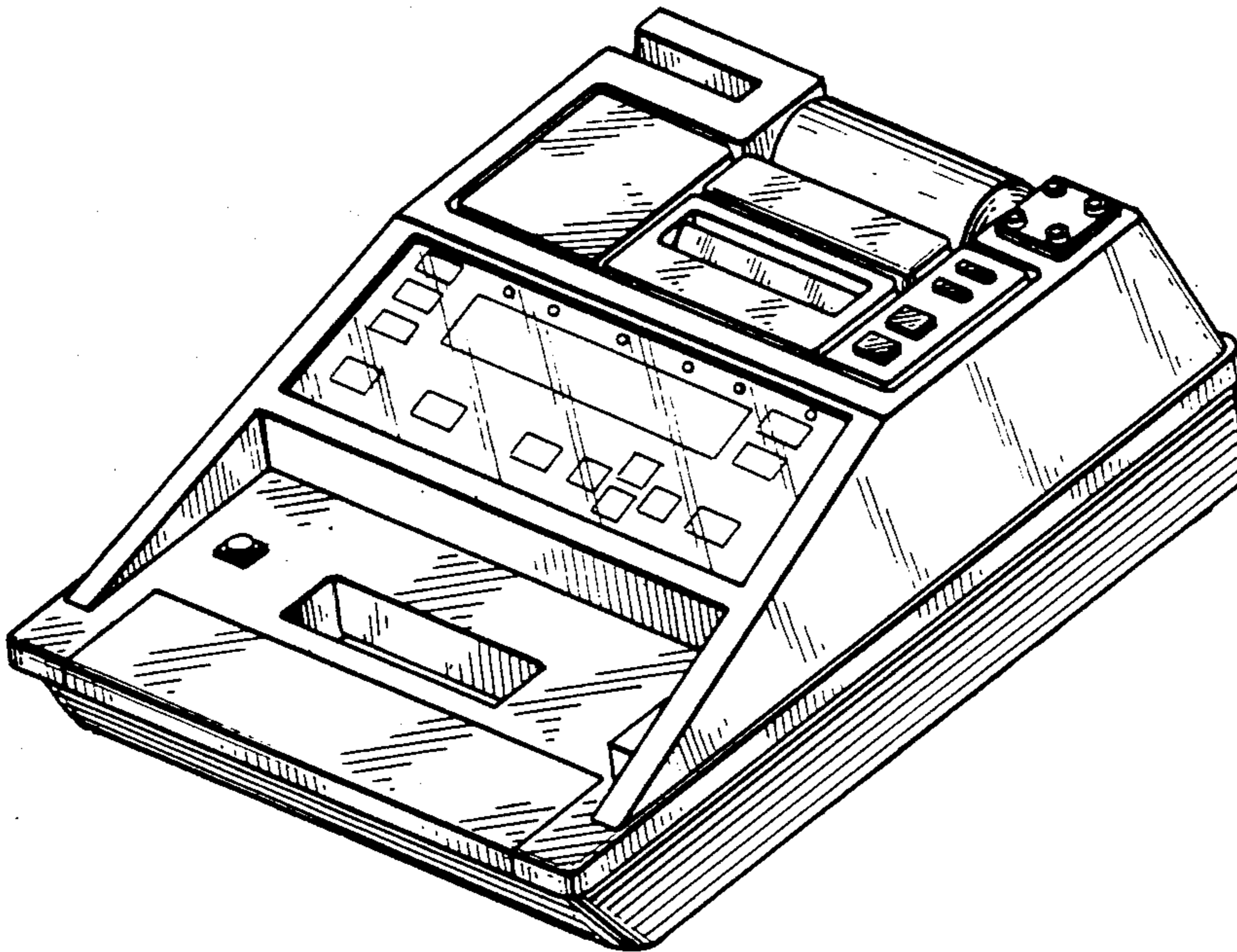


FIG. 1

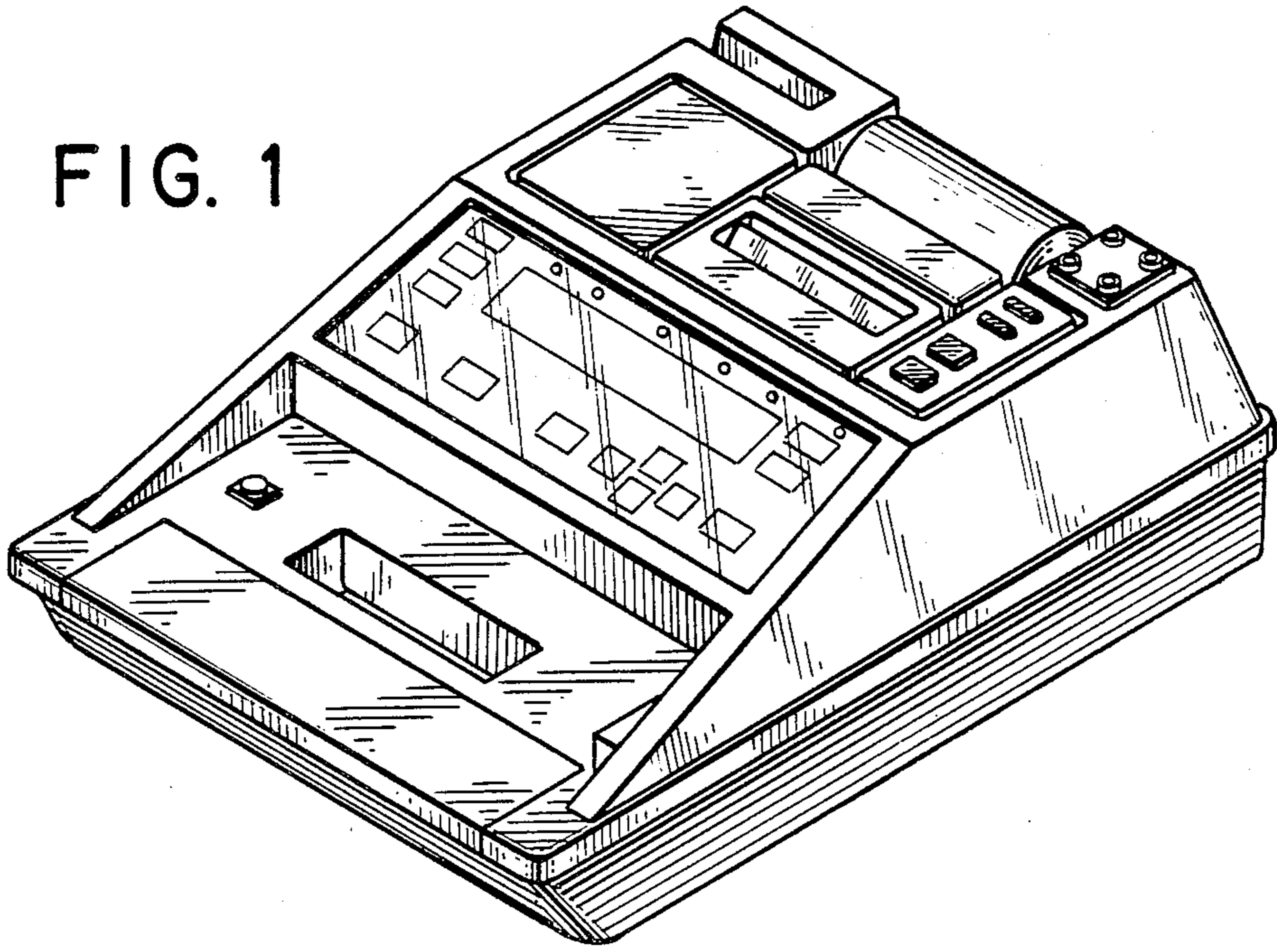


FIG. 2

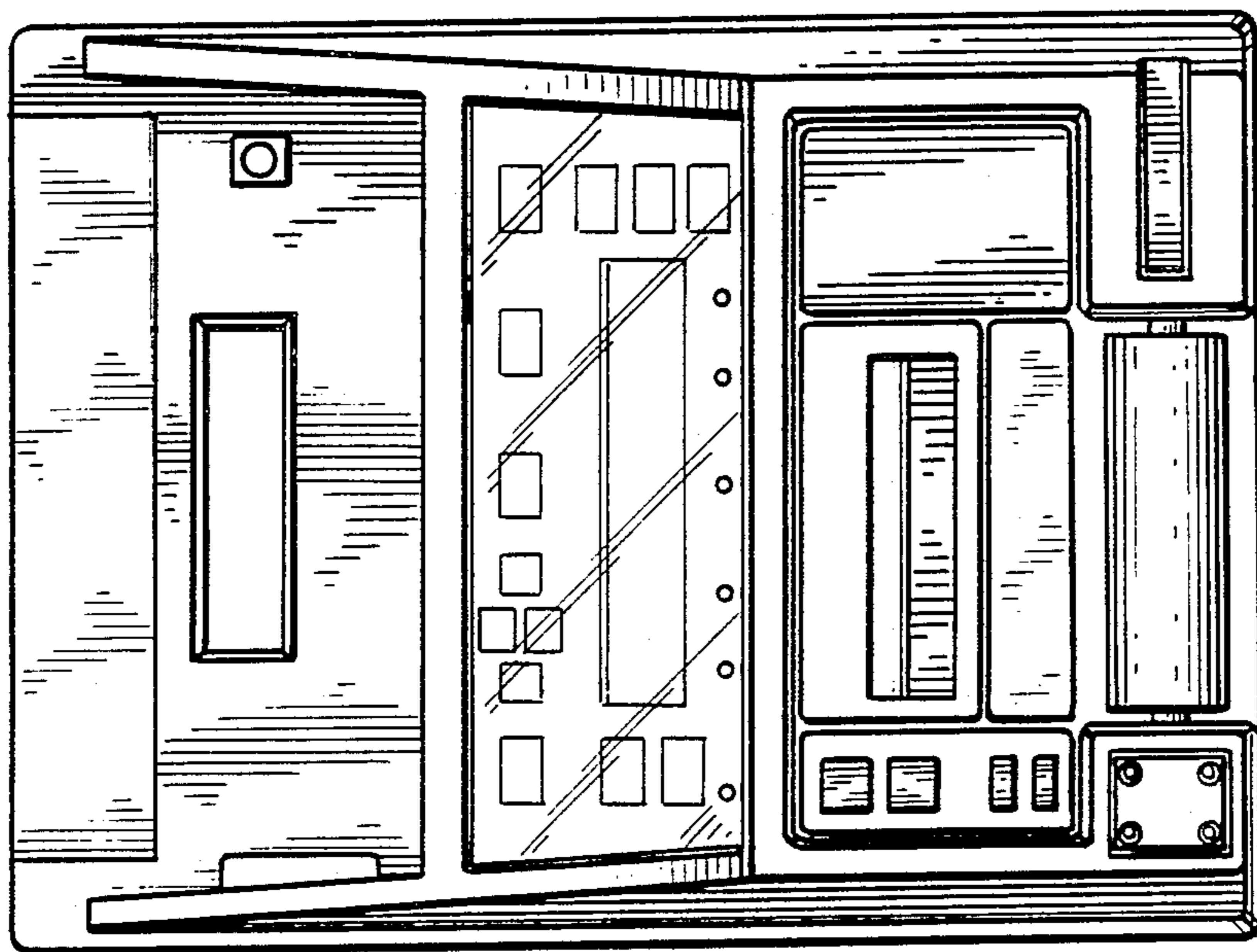


FIG. 3

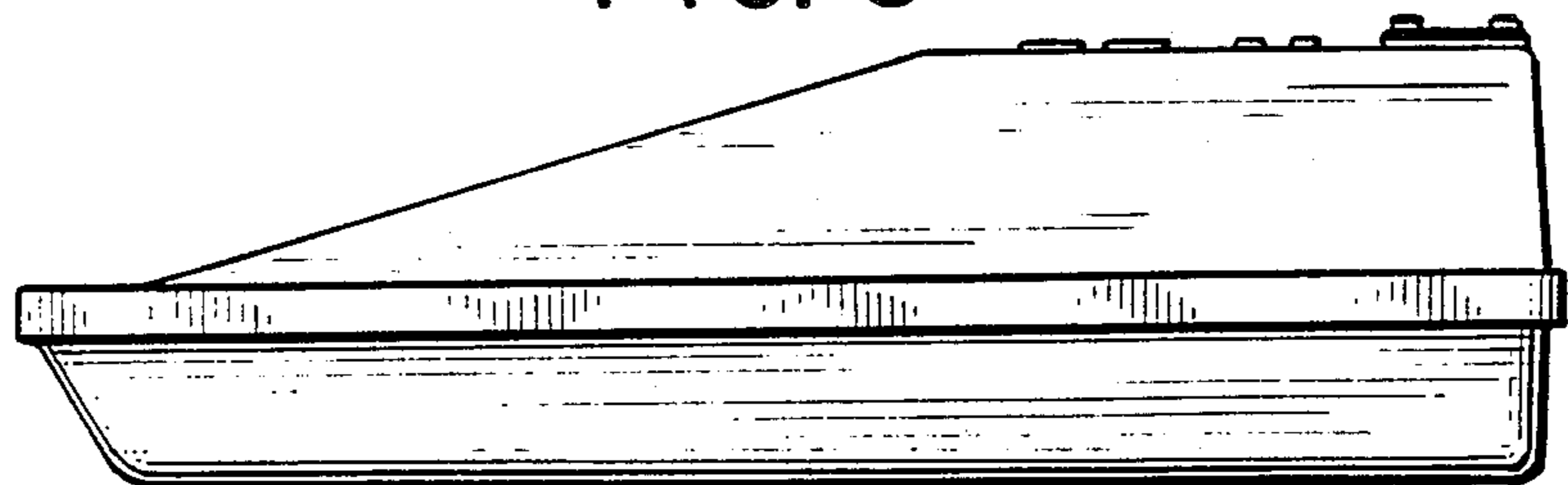


FIG. 4

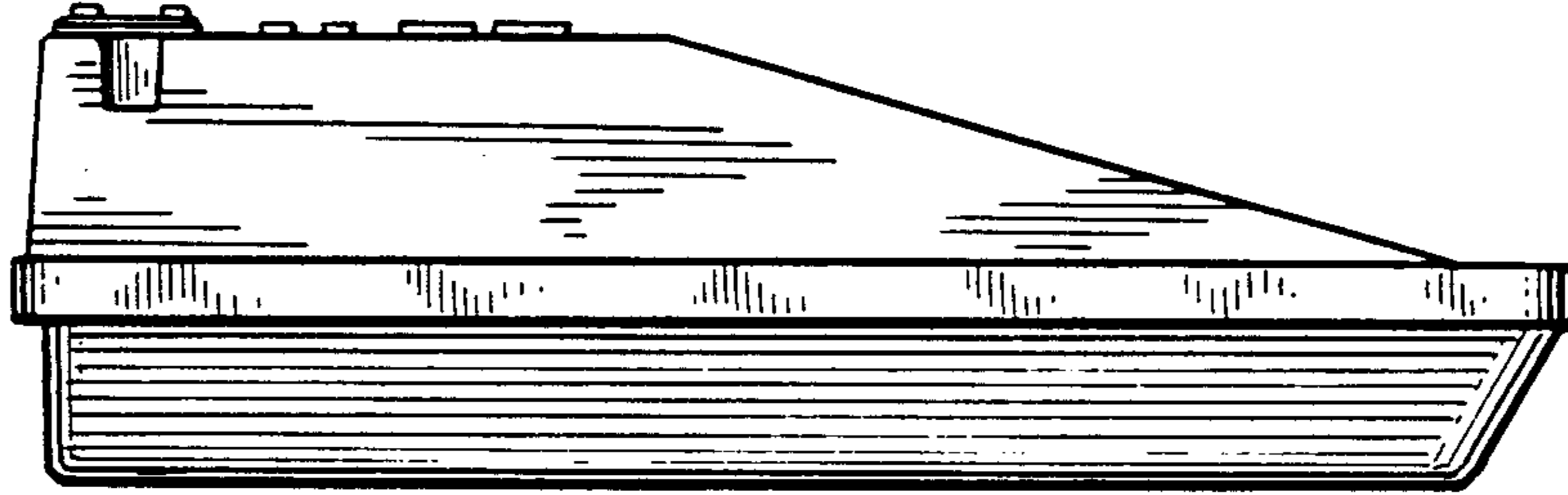


FIG. 5



FIG. 6

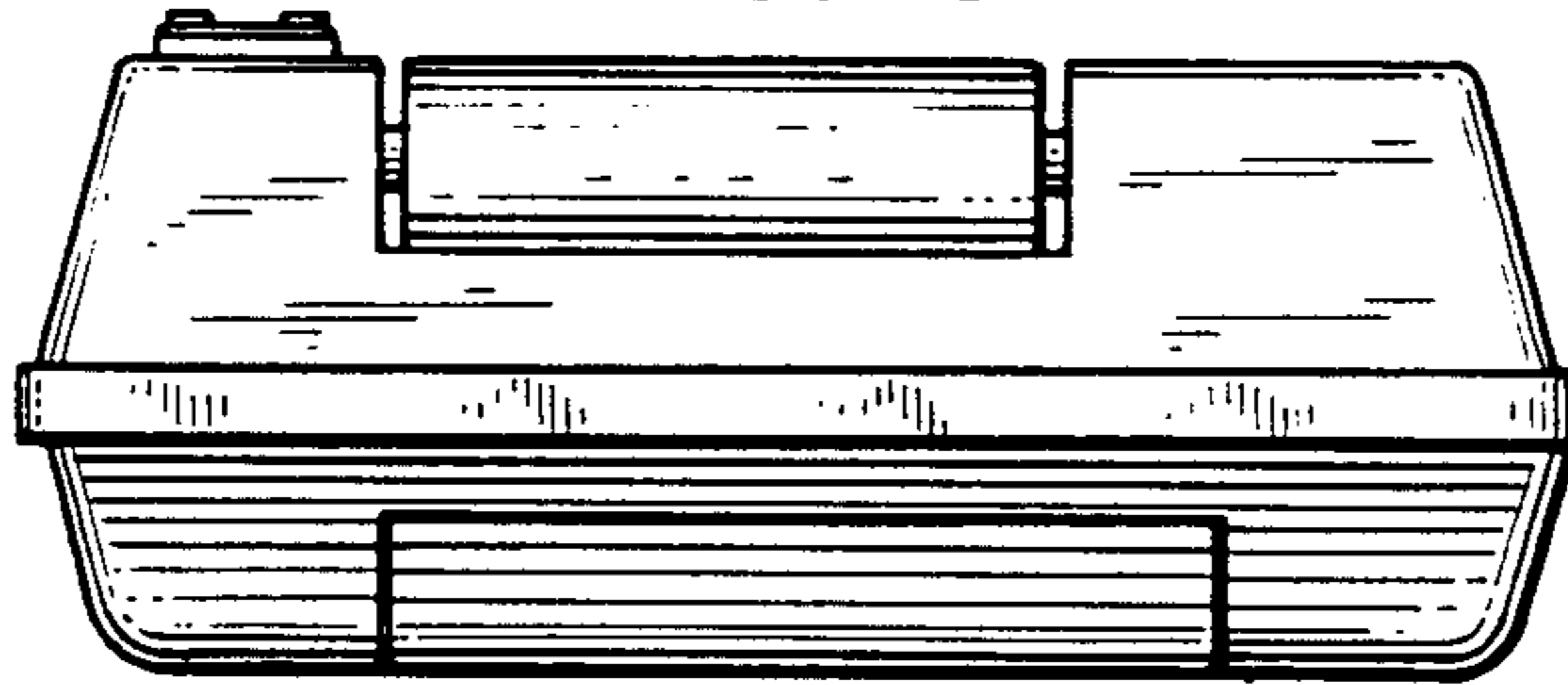


FIG. 7

