

United States Patent [19]

Butcher

[11] Patent Number: Des. 293,022

[45] Date of Patent: ** Dec. 1, 1987

[54] FRONT PANEL FOR AN AIR CONDITIONER

[75] Inventor: Richard H. Butcher, St Marys, Australia

[73] Assignee: F. F. Seeley Nominees Pty Ltd, St Marys, Australia

[**] Term: 14 Years

[21] Appl. No.: 807,273

[22] Filed: Dec. 10, 1985

[30] Foreign Application Priority Data

Jun. 18, 1985 [AU] Australia 1591/85
[52] U.S. Cl. D23/354
[58] Field of Search D23/139-145,
D23/163, 167; 62/304, 309-310, 186, 259, 262,
426, 428; 261/DIG. 3, DIG. 43, DIG. 65;
98/29, 31.5-31.6, 38.4-38.9, 40.2, 40.21,
40.24-40.25, 42.12, 42.16, 42.18, 88.1,
94.1-94.2, 99.8, 100.5, 101-108, 110

[56] References Cited

U.S. PATENT DOCUMENTS

D. 185,700	7/1959	Egan	D23/141
D. 244,856	6/1977	Haufe et al.	D23/141
2,472,748	6/1949	Labus	98/40.28
2,936,693	5/1960	Sweedyk	98/40.28

OTHER PUBLICATIONS

Electrical Merchandising Week, 9/26/1960, pp. 42-43, Fedders Air conditioner.

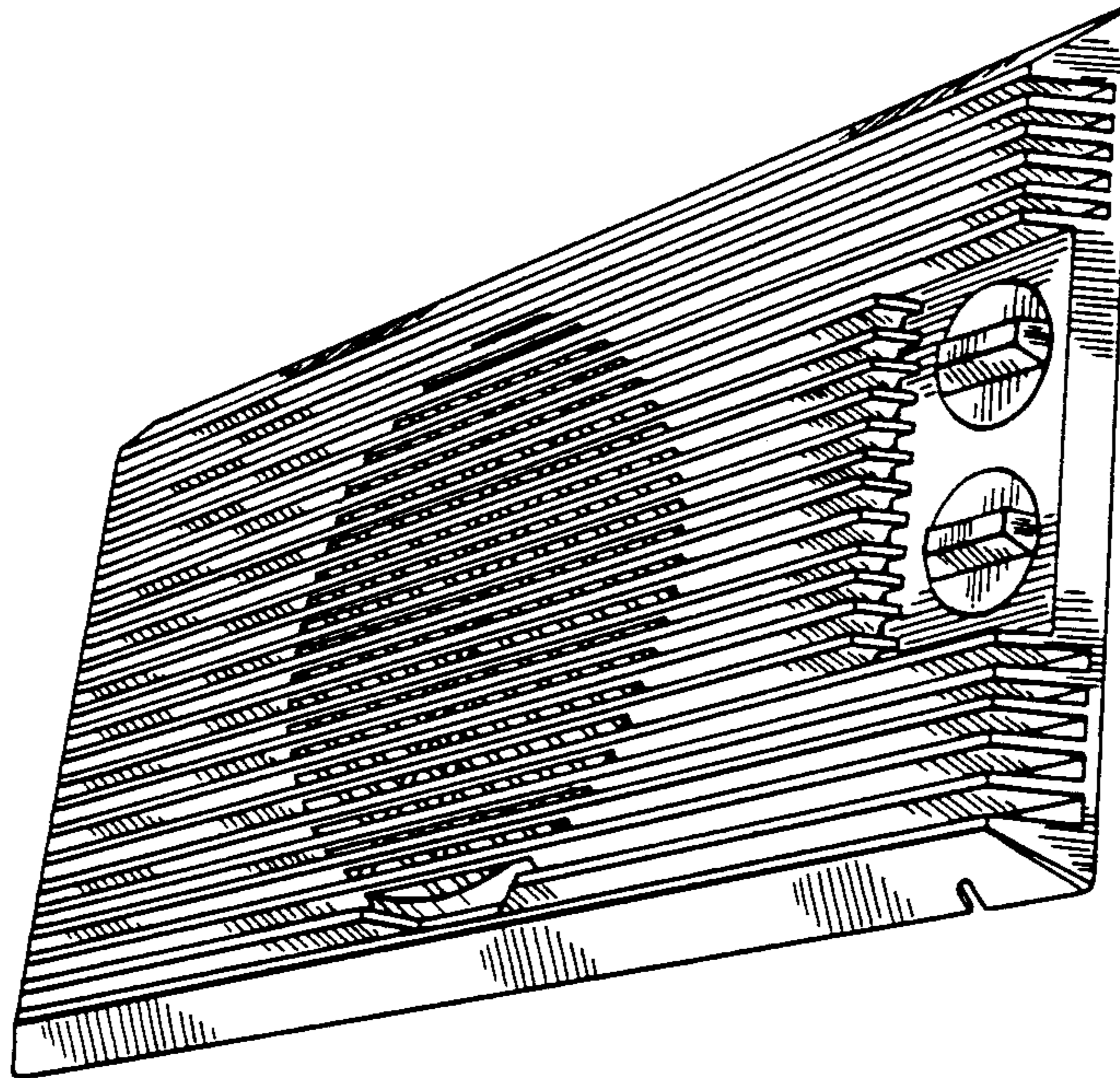
Primary Examiner—Wallace R. Burke
Assistant Examiner—Brian N. Vinson
Attorney, Agent, or Firm—Brown, Martin, Haller & Meador

[57] CLAIM

The ornamental design for front panel for an air conditioner, substantially as shown and described.

DESCRIPTION

FIG. 1 is a front perspective view of a front panel for an air conditioner showing my new design; and FIG. 2 is a rear perspective view thereof.



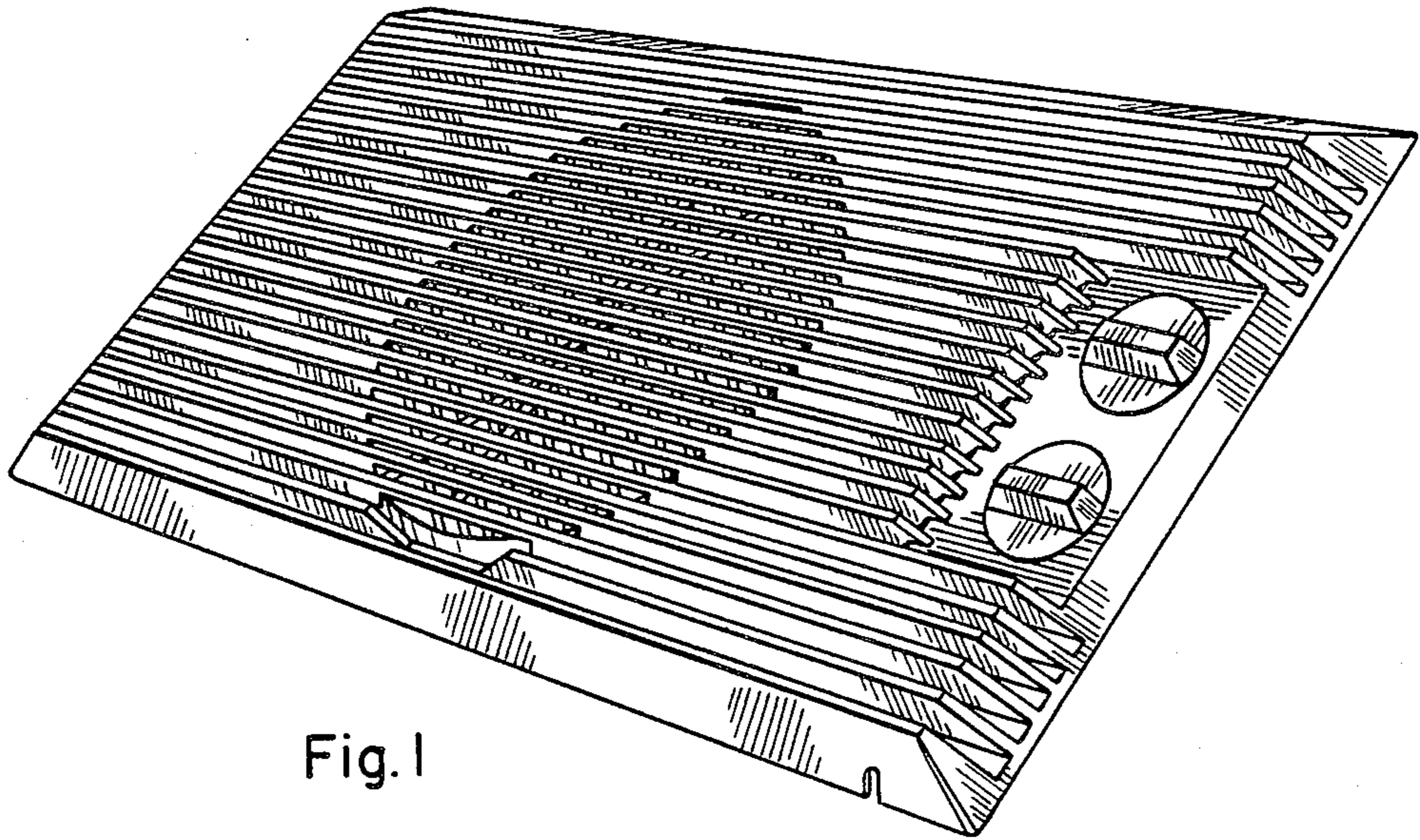


Fig. 1

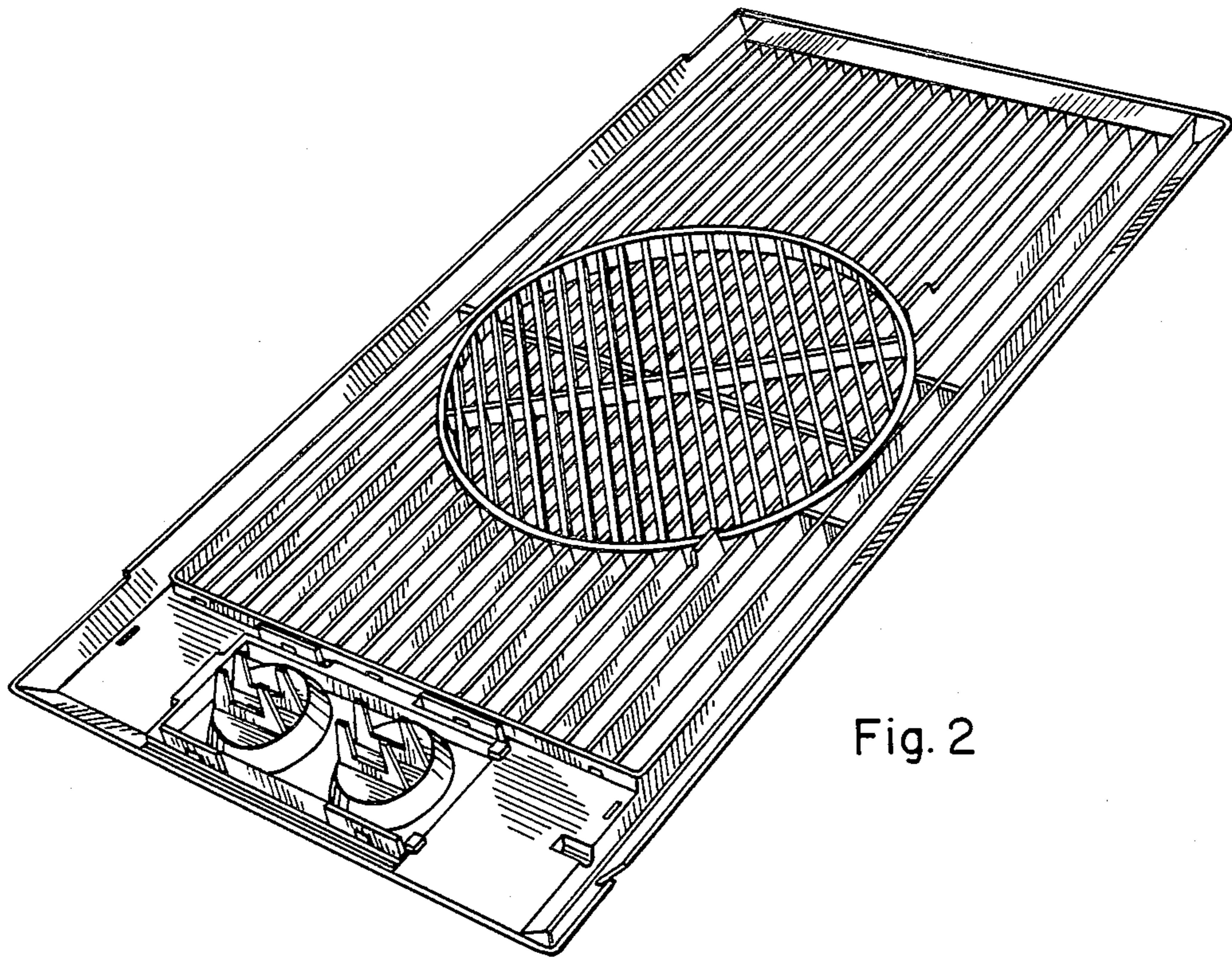


Fig. 2