

**United States Patent** [19]  
**Steinel et al.**

[11] **Patent Number: Des. 293,020**  
[45] **Date of Patent: \*\* Dec. 1, 1987**

[54] **HOT AIR BLOWER**

[75] **Inventors:** Heinrich W. Steinel, Herzebrock;  
Jurgen Greubel, Heidenrad, both of  
Fed. Rep. of Germany

[73] **Assignee:** Steinel GmbH & Co KG, Fed. Rep. of  
Germany

[\*] **Notice:** The portion of the term of this patent  
subsequent to Mar. 17, 2001 has been  
disclaimed.

[\*\*] **Term:** 14 Years

[21] **Appl. No.:** 548,157

[22] **Filed:** Nov. 2, 1983

[30] **Foreign Application Priority Data**

May 3, 1983 [DE] Fed. Rep. of Germany ..... MR 1669  
[52] **U.S. Cl.** ..... D23/332; D28/13  
[58] **Field of Search** ..... D23/72, 77, 162;  
D28/13; 219/368, 369, 370, 373; 34/96-101,  
243 R

[56] **References Cited**

**U.S. PATENT DOCUMENTS**

D. 232,554 8/1974 Benjamin ..... D23/162  
D. 274,551 7/1984 Benjamin et al. .... D23/77

D. 276,941 12/1984 Stansbury, Jr. .... D28/13  
D. 279,814 7/1985 Gaines ..... D23/77  
3,209,127 9/1965 Graves ..... 219/370  
3,209,988 10/1965 Fox et al. .... 219/370 X  
3,211,890 10/1965 Graves ..... 219/370  
3,492,462 1/1970 Schumacher ..... 219/368 X  
3,668,370 6/1972 Pattison ..... 219/370 X  
4,135,080 1/1979 Wells, Jr. .... 219/370  
4,366,368 12/1982 Stephens, III ..... 219/370 X

**FOREIGN PATENT DOCUMENTS**

0056188 7/1982 European Pat. Off. .... 219/370  
599521 6/1934 Fed. Rep. of Germany ..... 219/373  
1203480 1/1960 France ..... 219/370  
413788 5/1946 Italy ..... 219/370  
0040755 3/1979 Japan ..... 219/370

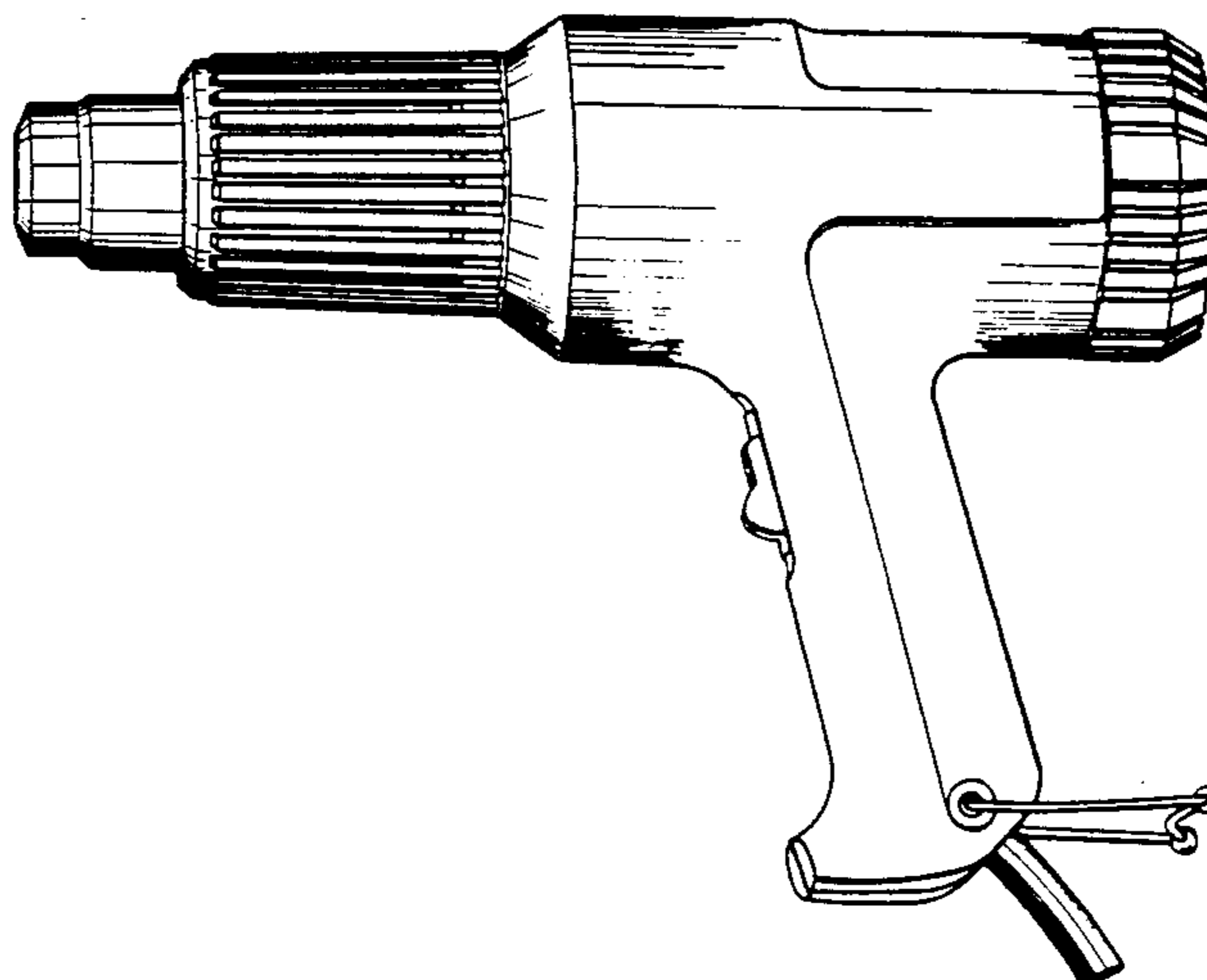
*Primary Examiner*—Catherine E. Kemper  
*Attorney, Agent, or Firm*—Darby & Darby

[57] **CLAIM**

The ornamental design for hot air blower, as shown and  
described.

**DESCRIPTION**

FIG. 1 is a side elevational view of a hot air blower,  
showing our new design;  
FIG. 2 is a perspective view thereof.  
The side of the hot air blower which is not shown is a  
mirror image of the side which is shown.



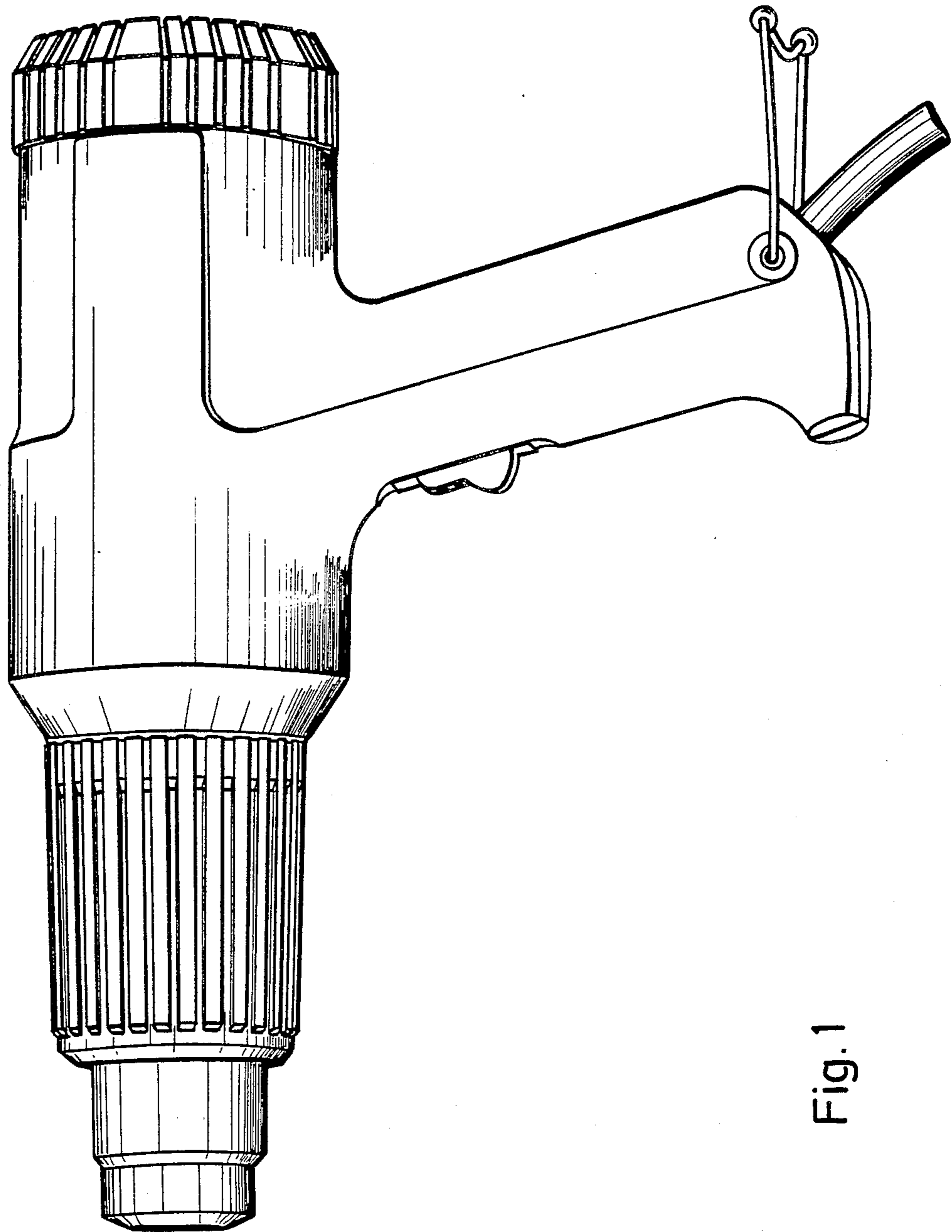


Fig. 1

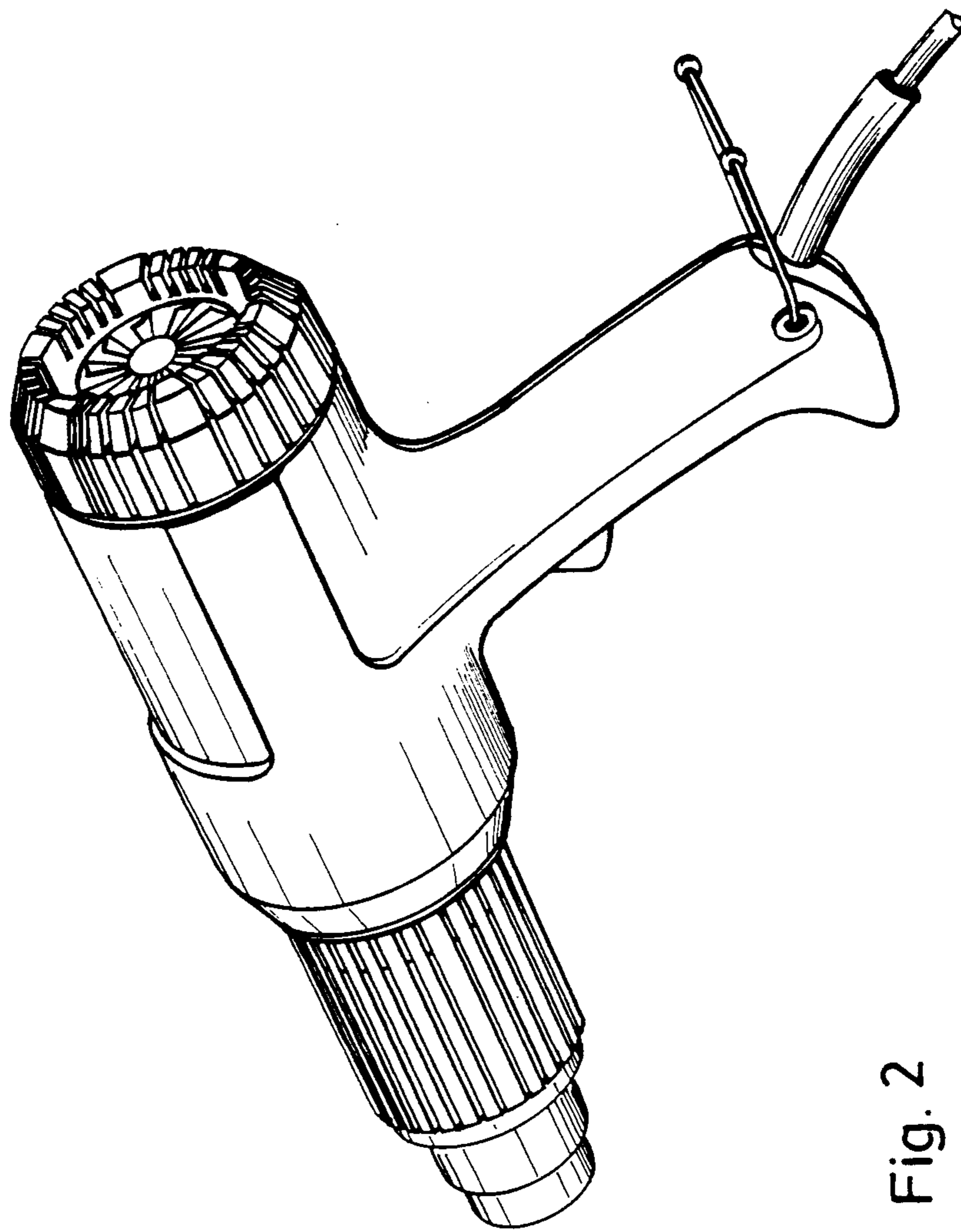


Fig. 2