

[54] SKI COASTER

[76] Inventor: Laurent R. Fortin, 6 - 28 Albanel Street, Hull, Quebec, Canada, J8Z 1P9

[**] Term: 14 Years

[21] Appl. No.: 793,758

[22] Filed: Nov. 1, 1985

[30] Foreign Application Priority Data

Oct. 29, 1985 [CA] Canada 29-10-85-3

[52] U.S. Cl. D21/227; D21/81; D21/229

[58] Field of Search D21/227, 229, 230, 81; 280/87.01 R, 1.1 R, 1.1 A, 87.04 A, 87.04, 11.19-11.28

[56] References Cited

U.S. PATENT DOCUMENTS

D. 226,490 3/1973 Mimeur D21/229

D. 242,735 12/1976 Candler D21/227
D. 246,920 1/1978 Koblick D21/229
3,378,272 4/1968 Lewis D21/230
3,567,239 3/1971 Kitterman D21/230

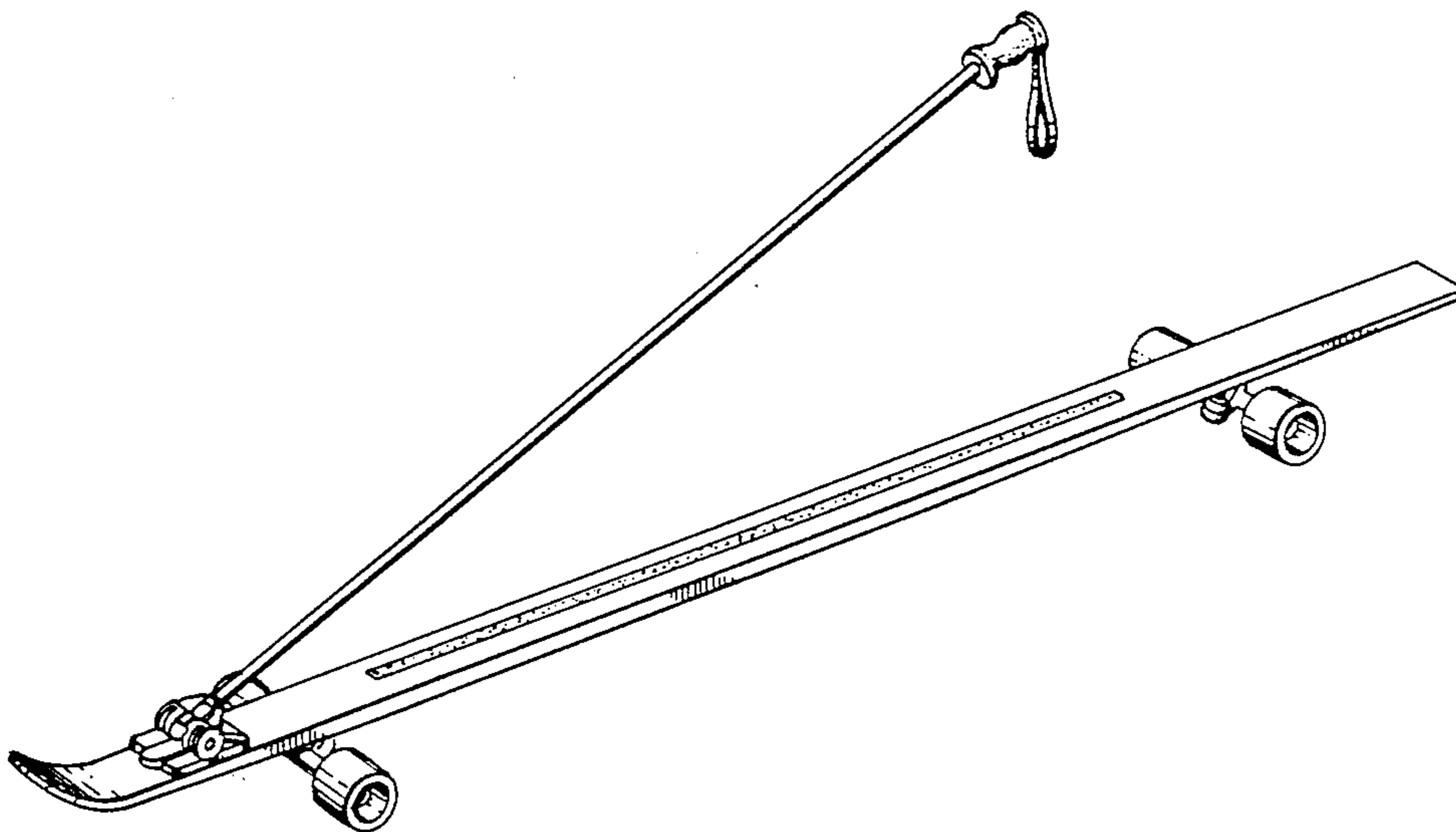
Primary Examiner—Charles A. Rademaker
Attorney, Agent, or Firm—Michael M. Sakovich

[57] CLAIM

The ornamental design for a ski coaster, as shown and described.

DESCRIPTION

FIG. 1 is a perspective view of a ski coaster showing my new design;
FIG. 2 is a front elevational view thereof;
FIG. 3 is a rear elevational view thereof;
FIG. 4 is a side elevational view thereof, the side opposite being a mirror image;
FIG. 5 is a top plan view thereof;
FIG. 6 is a bottom plan view thereof; and
FIG. 7 is another front perspective view thereof shown partially in fragment and on an enlarged scale.



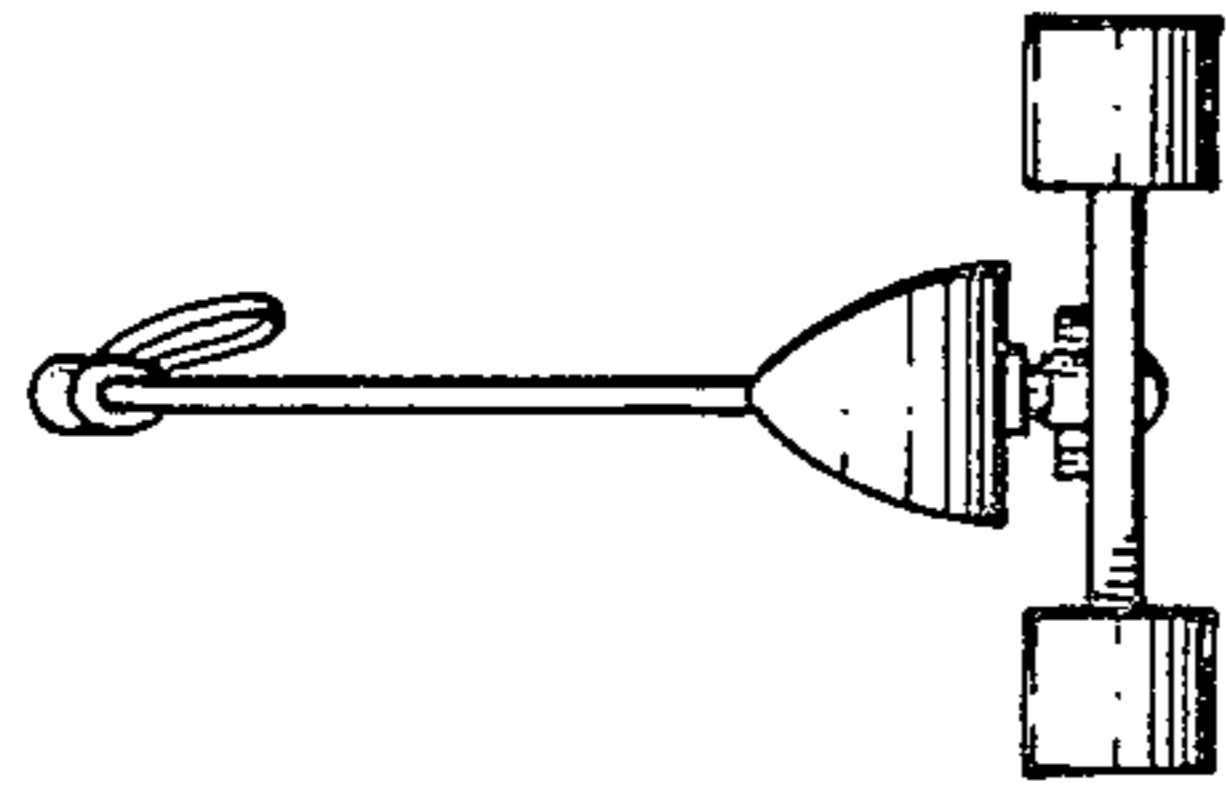


FIG. 2

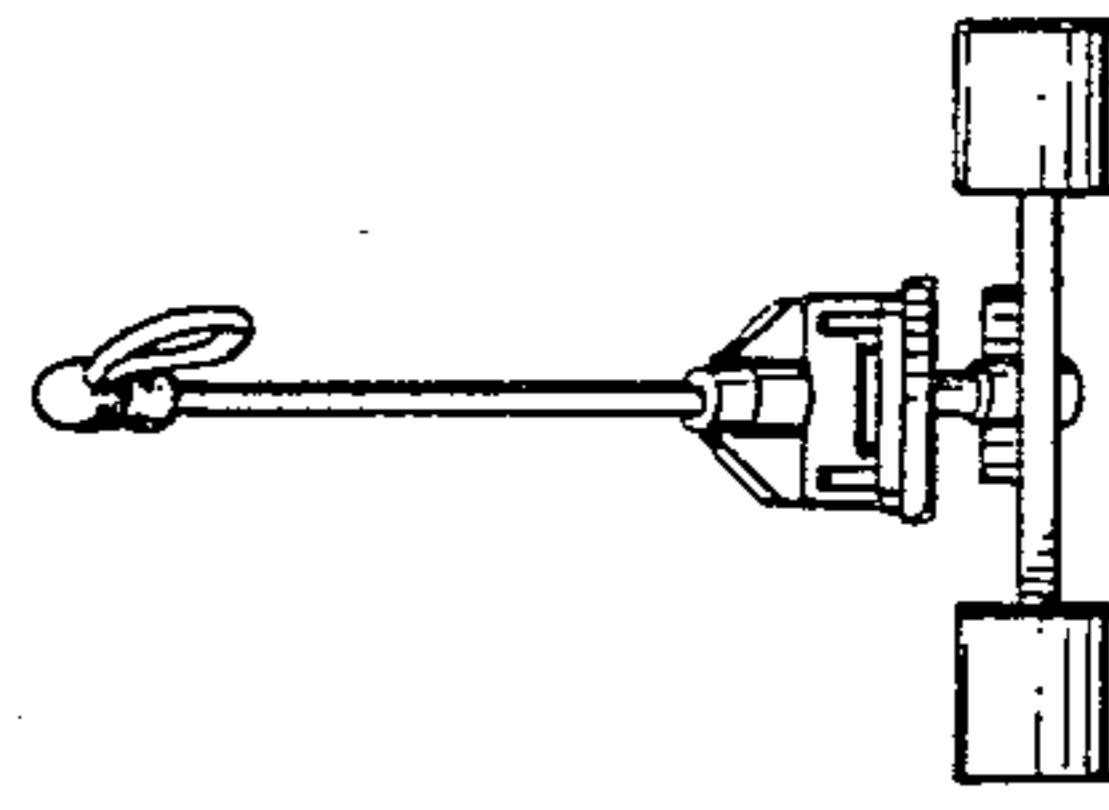


FIG. 3

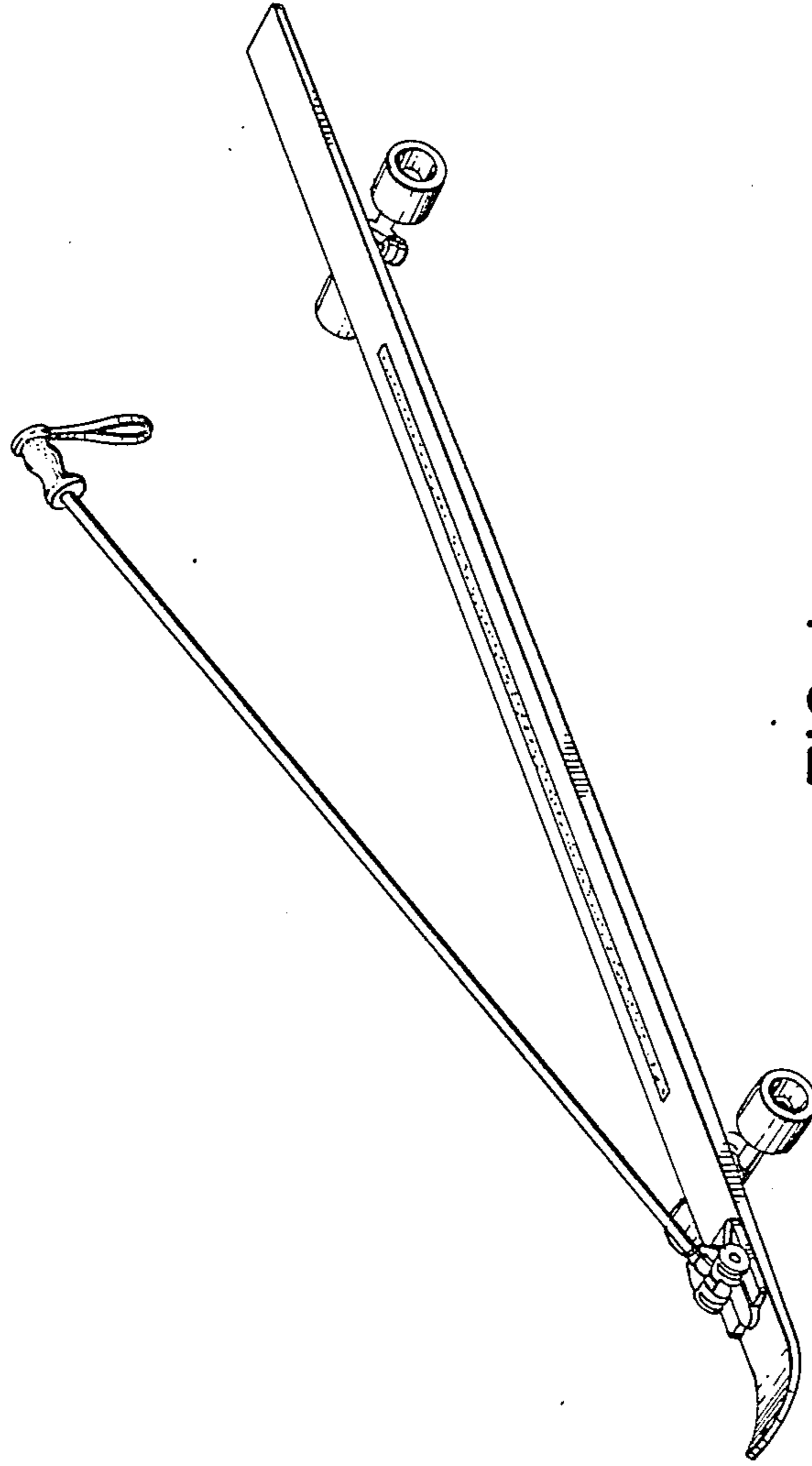


FIG. 1

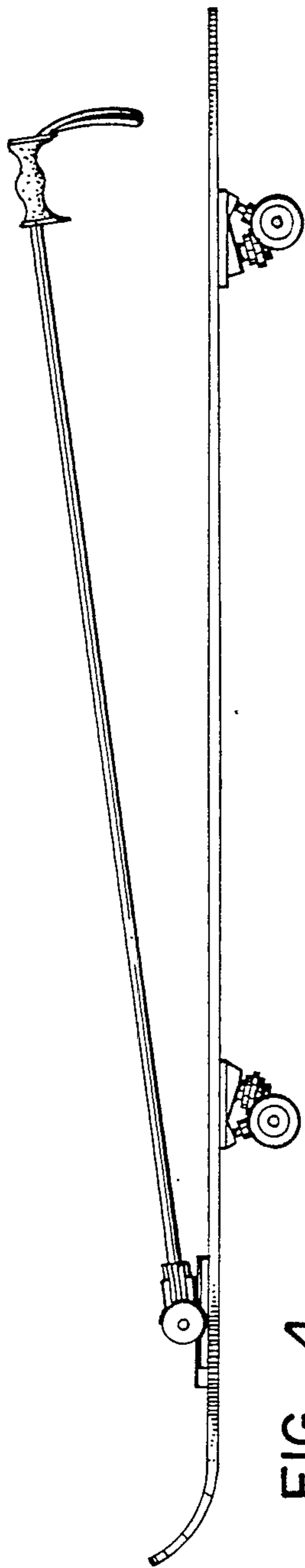


FIG. 4

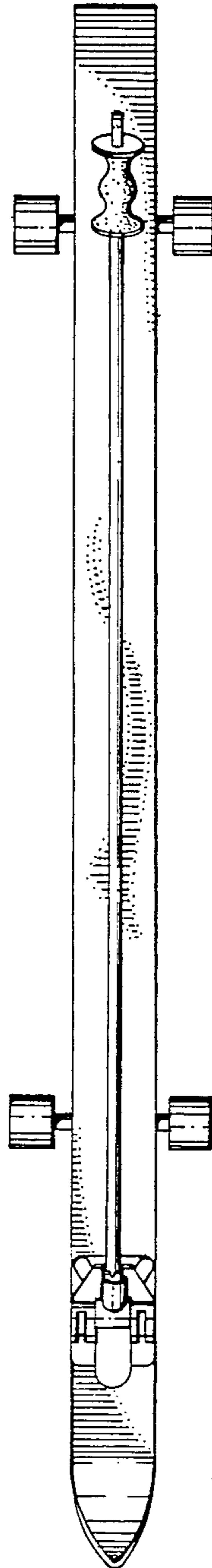


FIG. 5

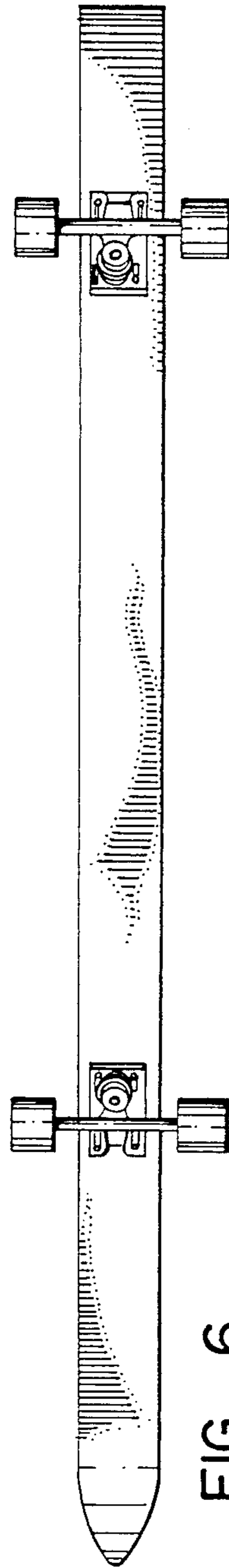


FIG. 6

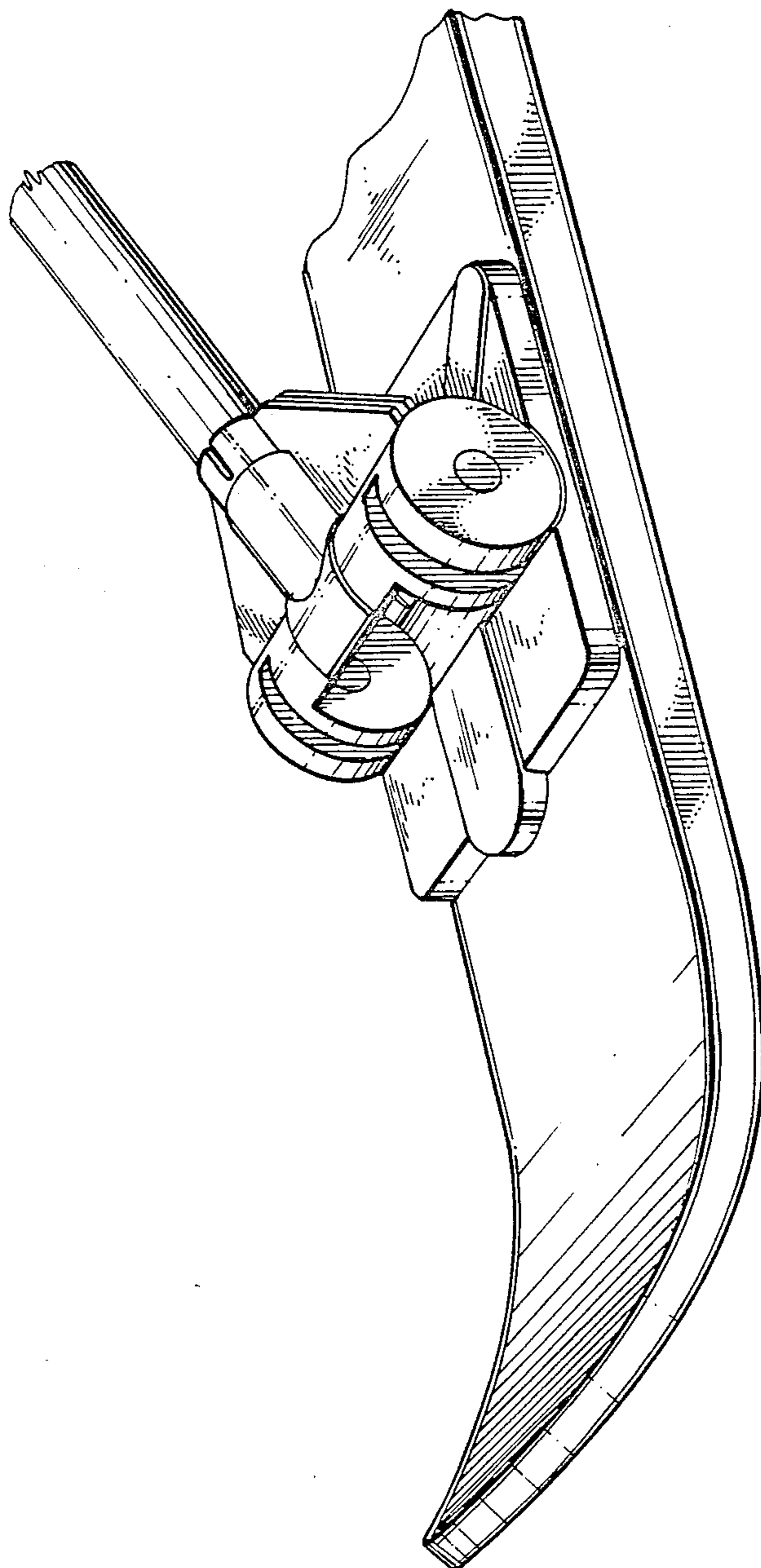


FIG. 7