

[54] **STARTING-BLOCK**

[76] **Inventor:** Esa Pieniniemi, Jalohaukantie 6 E 21,  
SF-90250 Oulu 25, Finland

[\*\*] **Term:** 14 Years

[21] **Appl. No.:** 671,784

[22] **Filed:** Nov. 15, 1984

[30] **Foreign Application Priority Data**

May 17, 1984 [FI] Finland ..... 517/84

[52] **U.S. Cl.** ..... **D21/199**

[58] **Field of Search** ..... D21/199, 191; 272/105

[56] **References Cited**

**U.S. PATENT DOCUMENTS**

3,401,931 9/1968 McCafferty et al. .... 272/105  
3,724,843 4/1973 Fichter et al. .... 272/105

**FOREIGN PATENT DOCUMENTS**

125753 10/1947 Australia ..... 272/105

*Primary Examiner*—Melvin B. Feifer

*Attorney, Agent, or Firm*—Cushman, Darby & Cushman

[57] **CLAIM**

The ornamental design for starting-block, as shown and described.

**DESCRIPTION**

FIG. 1 is a perspective side view of a starting-block showing my new design;

FIG. 2 is a side elevational view thereof;

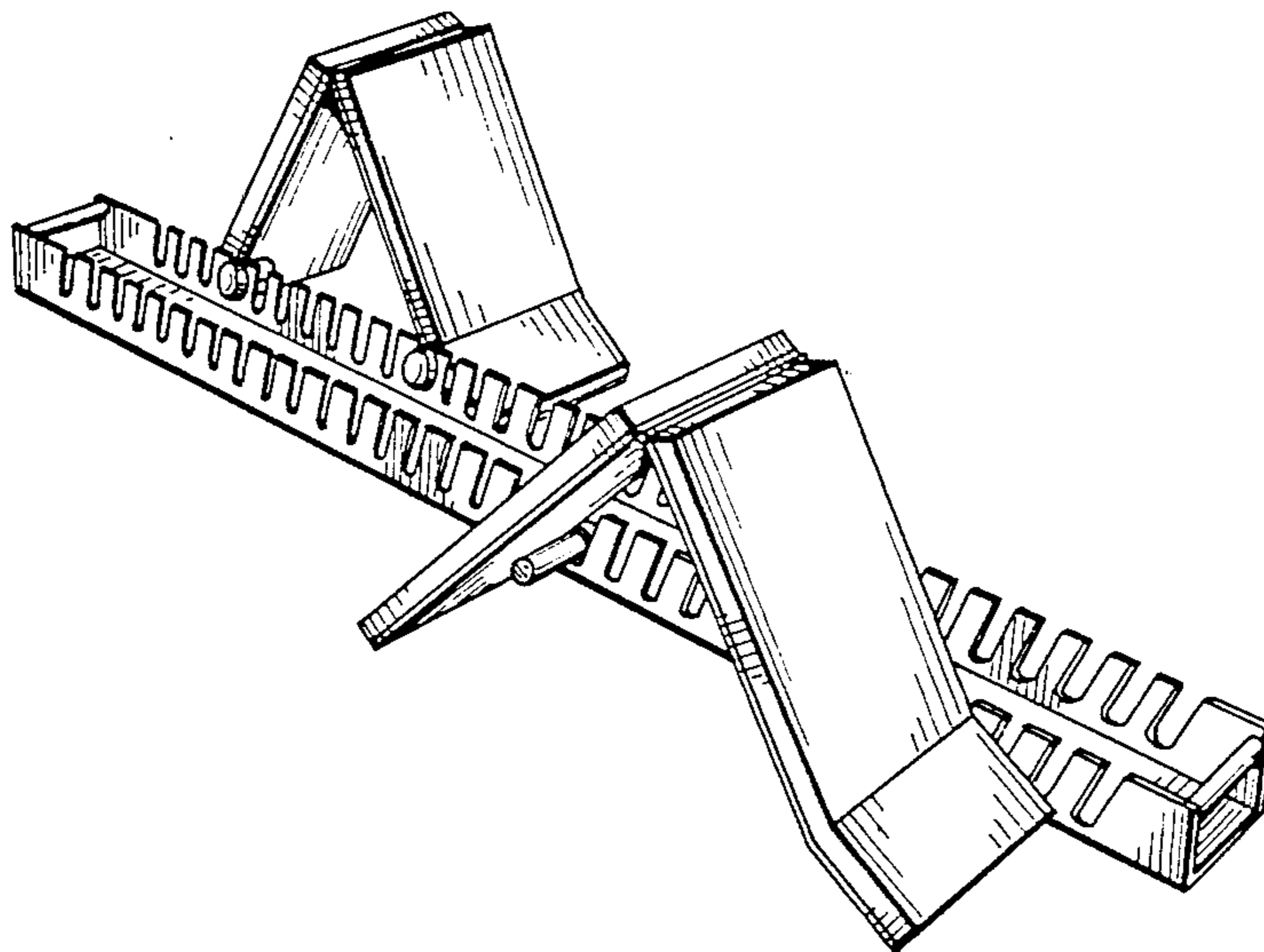
FIG. 3 is an elevational view of the opposite side thereof;

FIG. 4 is a top view thereof;

FIG. 5 is a bottom view thereof;

FIG. 6 is an end view thereof; and

FIG. 7 is a view of the opposite end thereof.



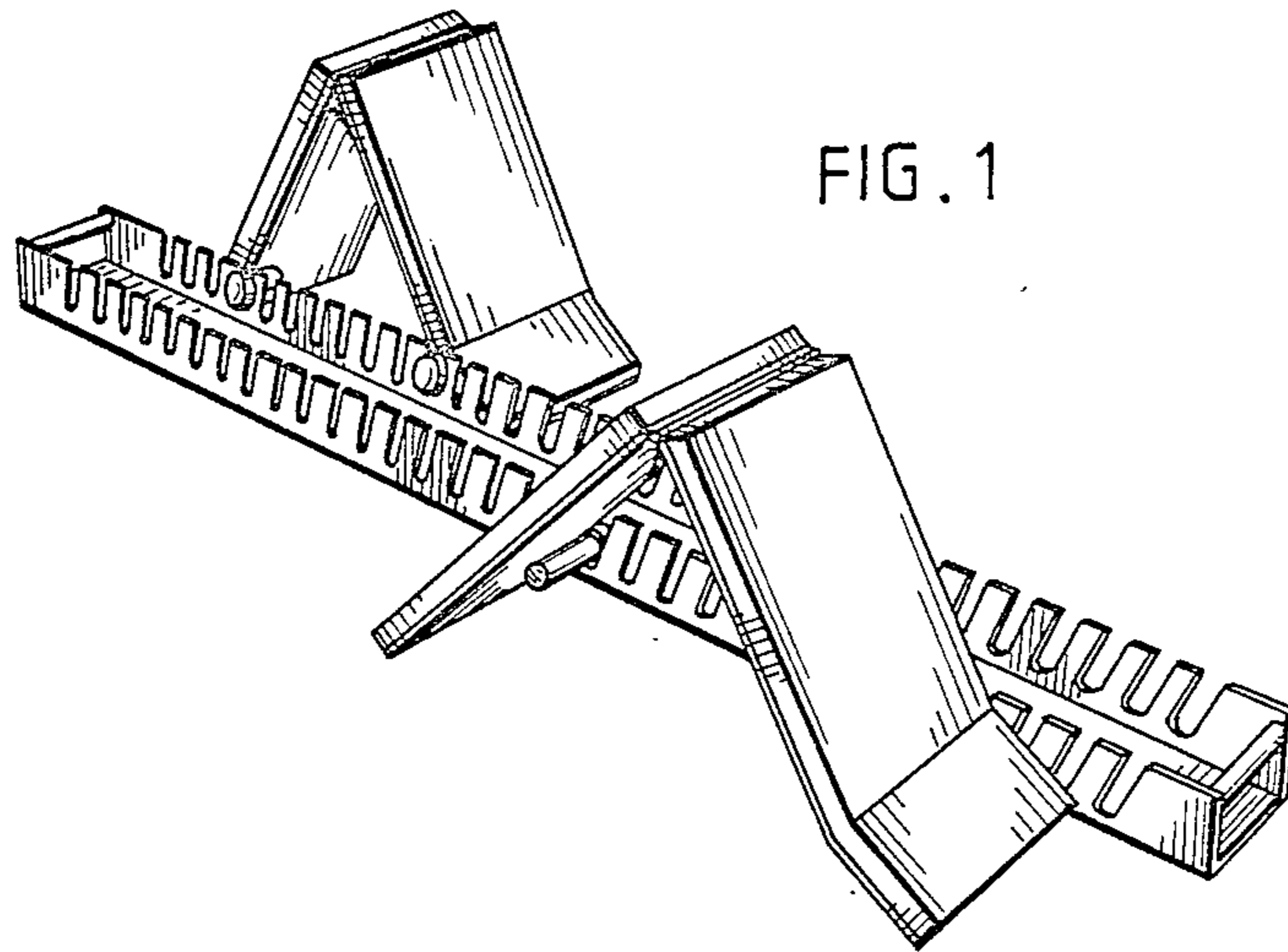


FIG. 1

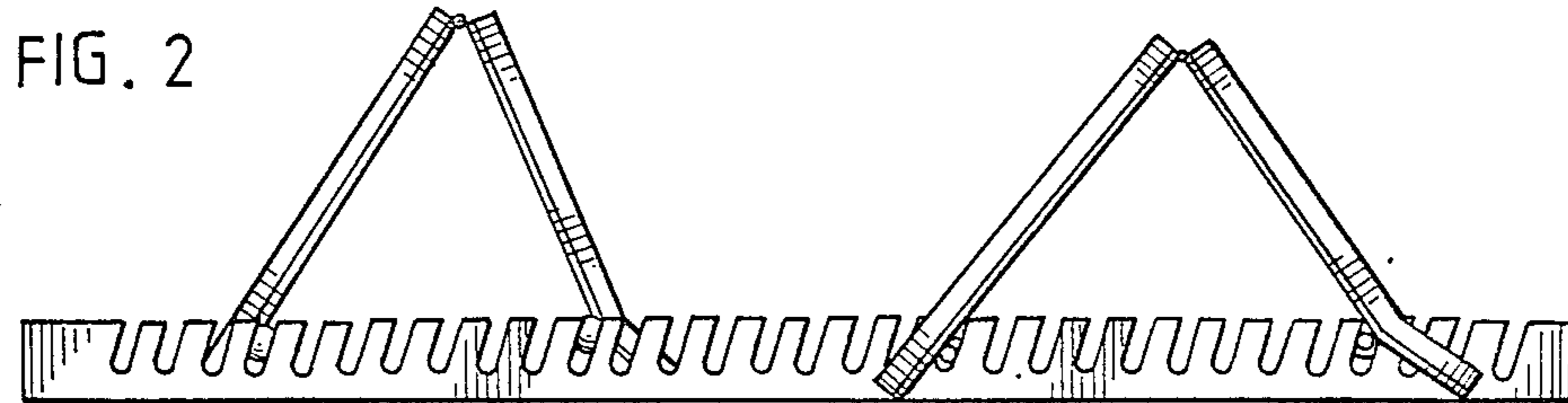


FIG. 2

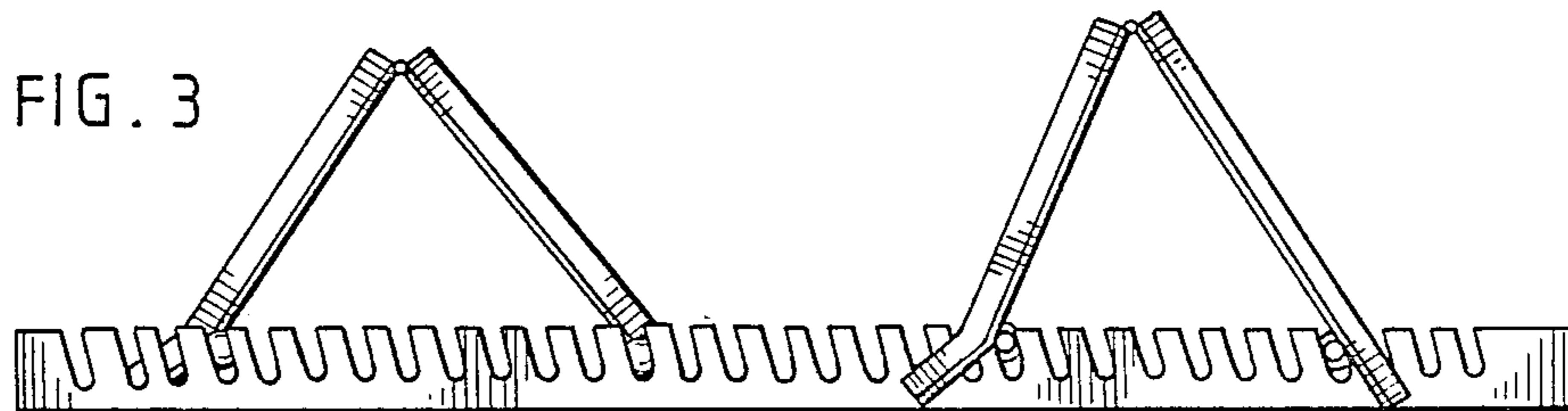


FIG. 3

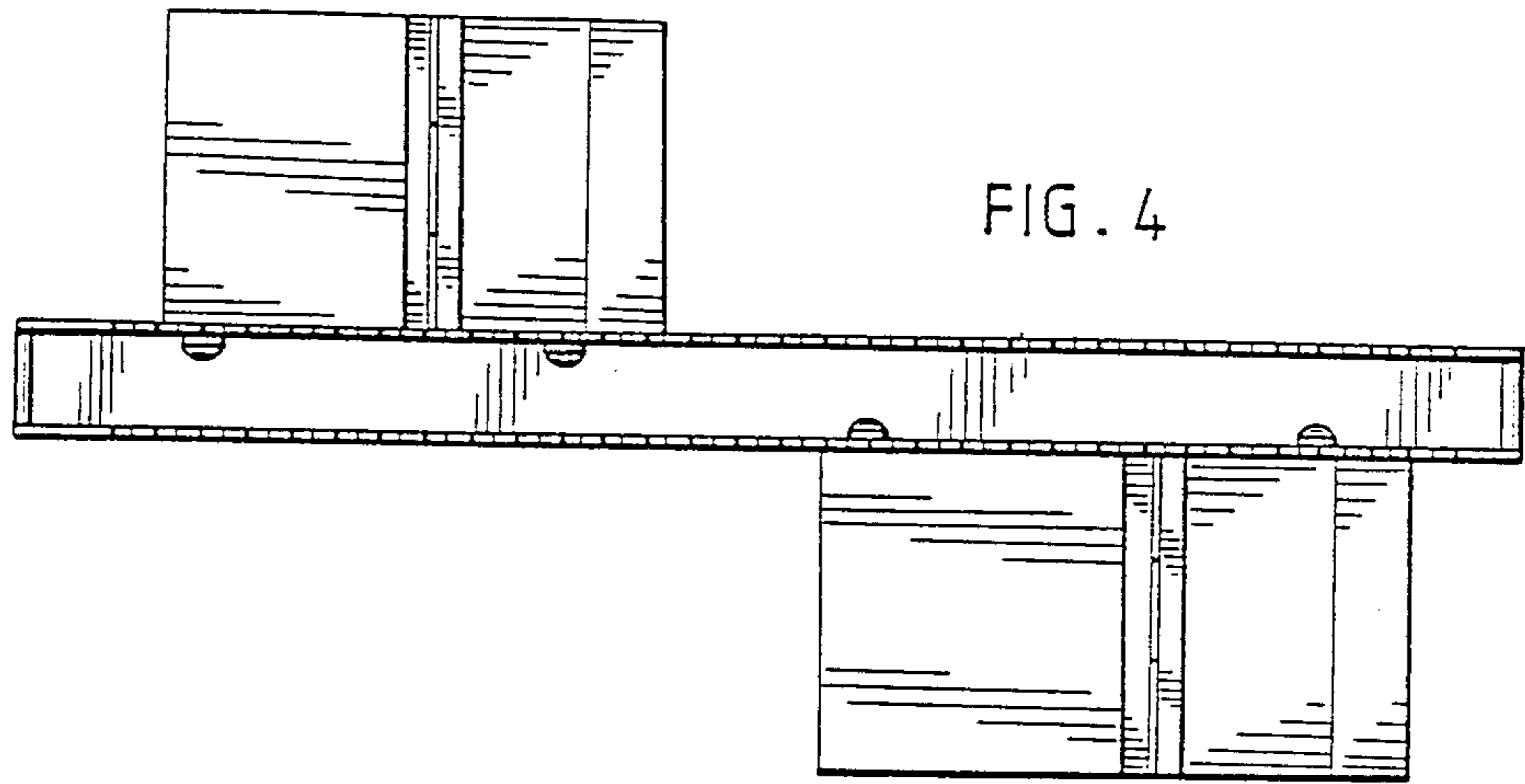


FIG. 4

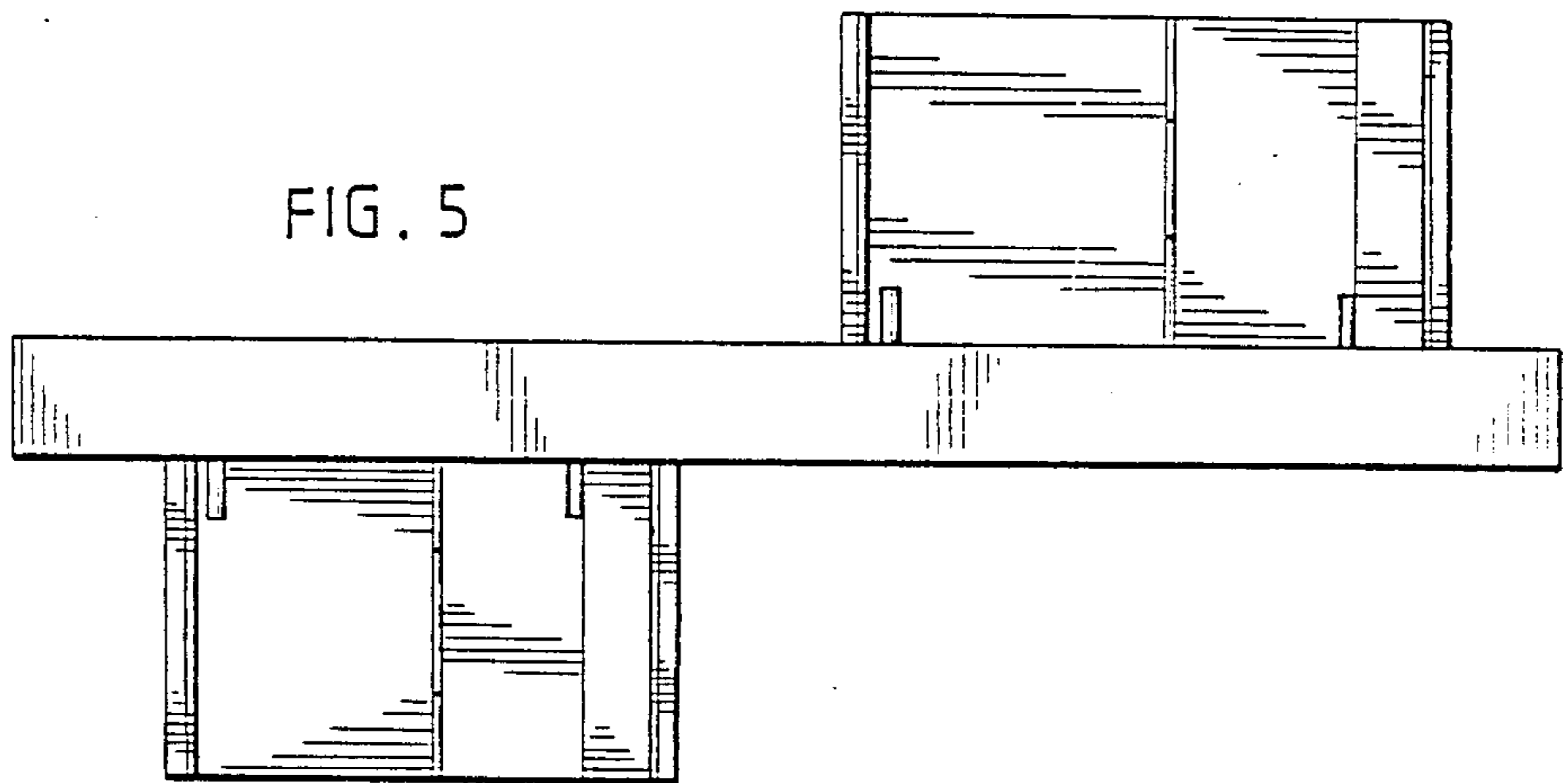


FIG. 5

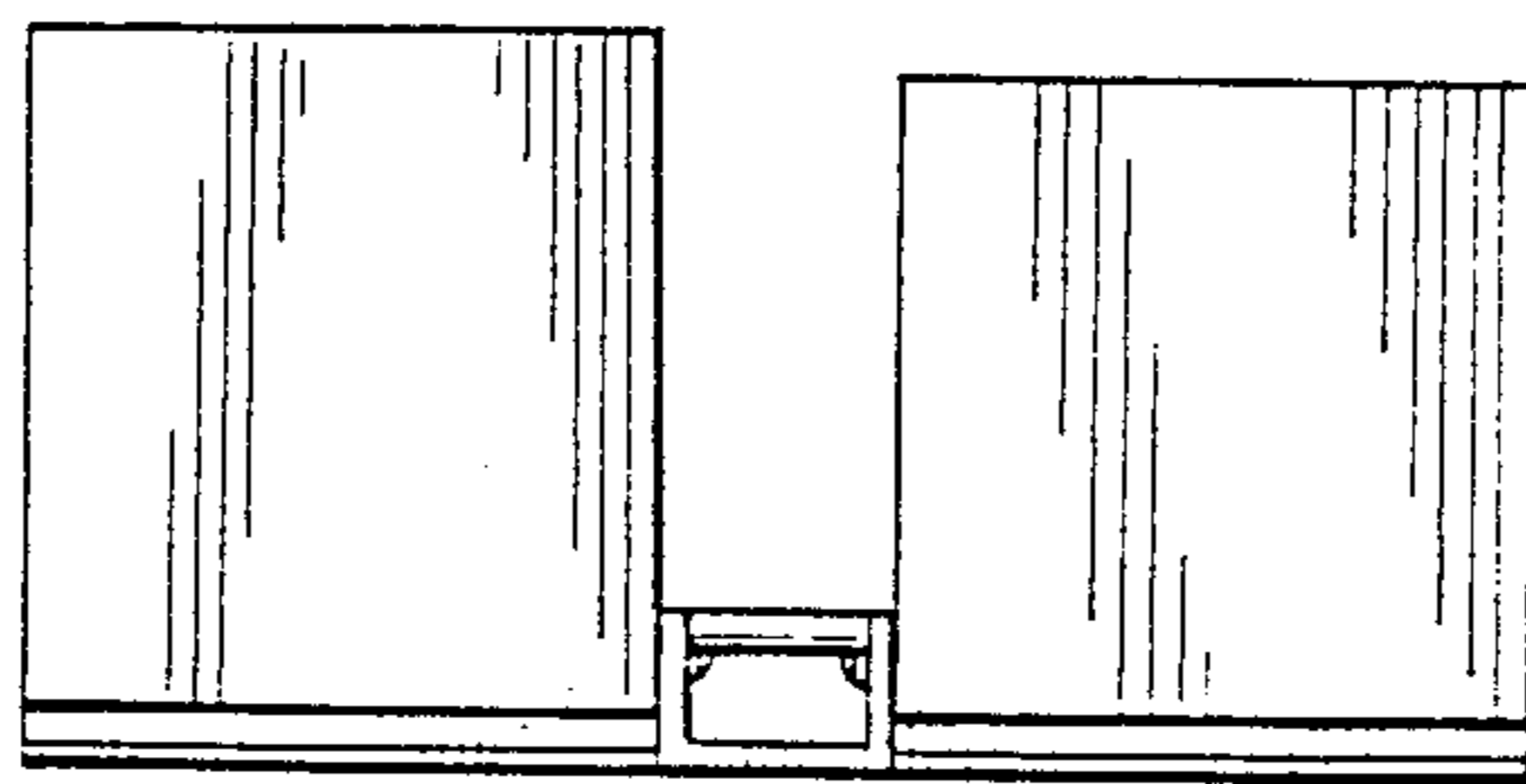


FIG. 6

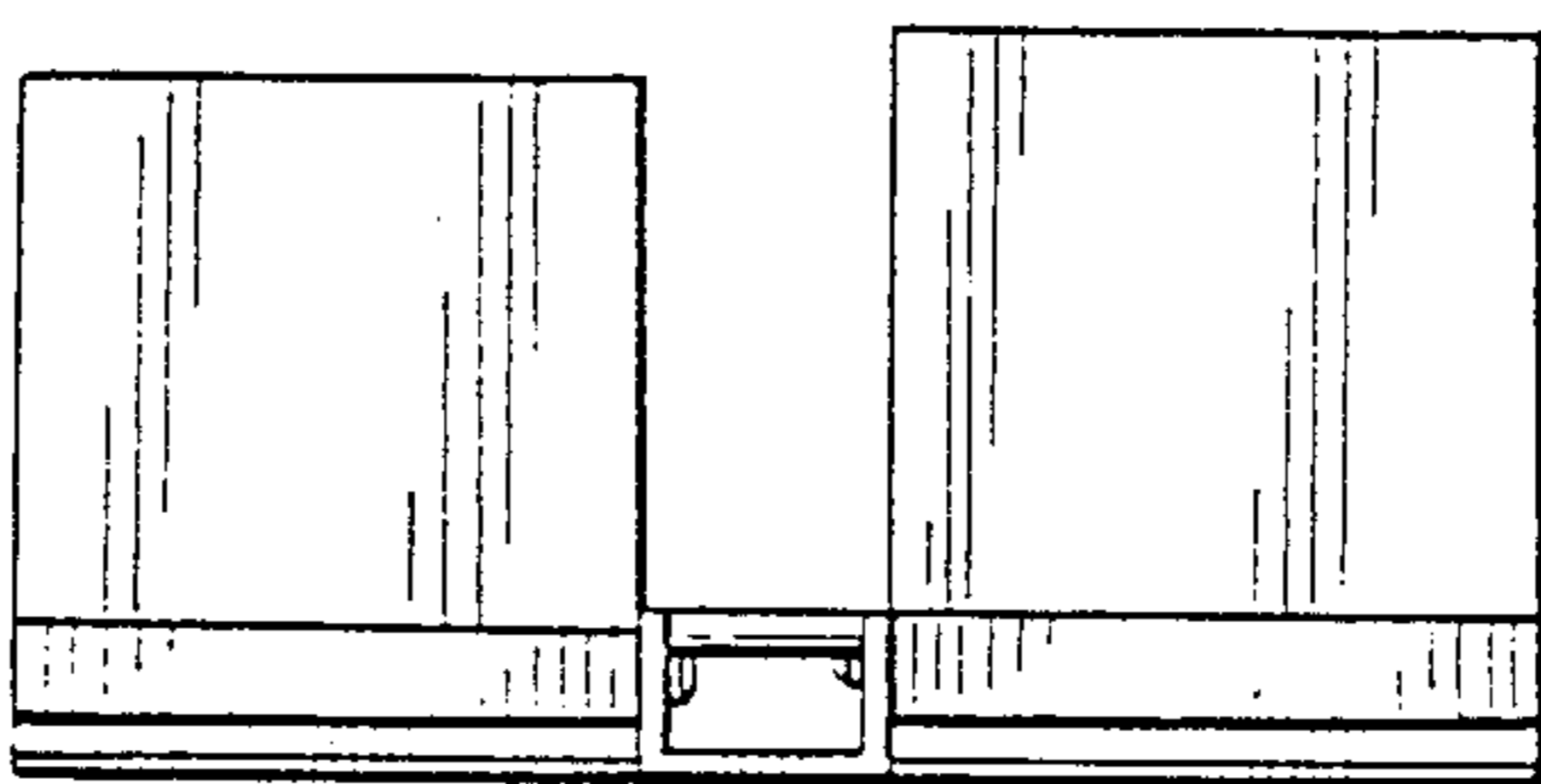


FIG. 7