

United States Patent [19]
Suzuki

[11] **Patent Number: Des. 293,001**

[45] **Date of Patent: ** Dec. 1, 1987**

[54] **TOY VEHICLE**

[75] **Inventor: Tatsuya Suzuki, Tokyo, Japan**

[73] **Assignee: Tomy Kogyo Co., Inc., Tokyo, Japan**

[**] **Term: 14 Years**

[21] **Appl. No.: 803,896**

[22] **Filed: Nov. 6, 1985**

[30] **Foreign Application Priority Data**

May 17, 1985 [JP] Japan 60-20437
[52] **U.S. Cl.** **D21/87**
[58] **Field of Search** D21/59, 87, 82, 77,
D21/124, 128; D12/343, 342; 446/71, 76, 95,
487, 30

[56] **References Cited**

U.S. PATENT DOCUMENTS

D. 167,211 7/1952 Huffman D12/343
D. 253,542 11/1979 Ogawa D21/87
D. 279,804 7/1985 Ohno D21/87
D. 287,378 12/1986 Ohno D21/87

Primary Examiner—Charles A. Rademaker
Attorney, Agent, or Firm—Staas & Halsey

[57] **CLAIM**

The ornamental design for a toy vehicle, as shown.

DESCRIPTION

FIG. 1 is a front elevational view of a toy vehicle showing my new design;
FIG. 2 is a rear elevational view thereof;
FIG. 3 is a right side elevational view thereof;
FIG. 4 is a left side elevational view thereof;
FIG. 5 is a top plan view thereof; and
FIG. 6 is a bottom plan view thereof.

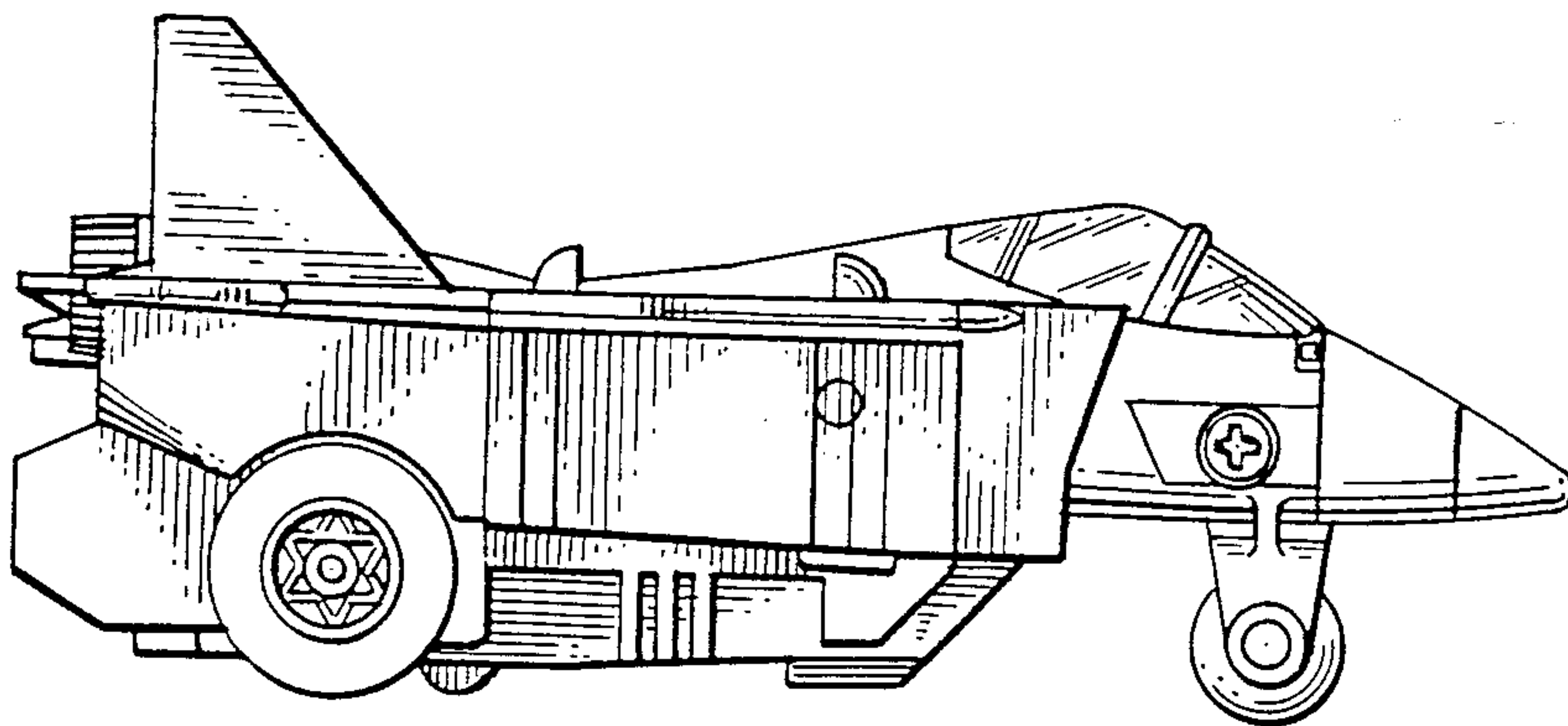


FIG. 1.

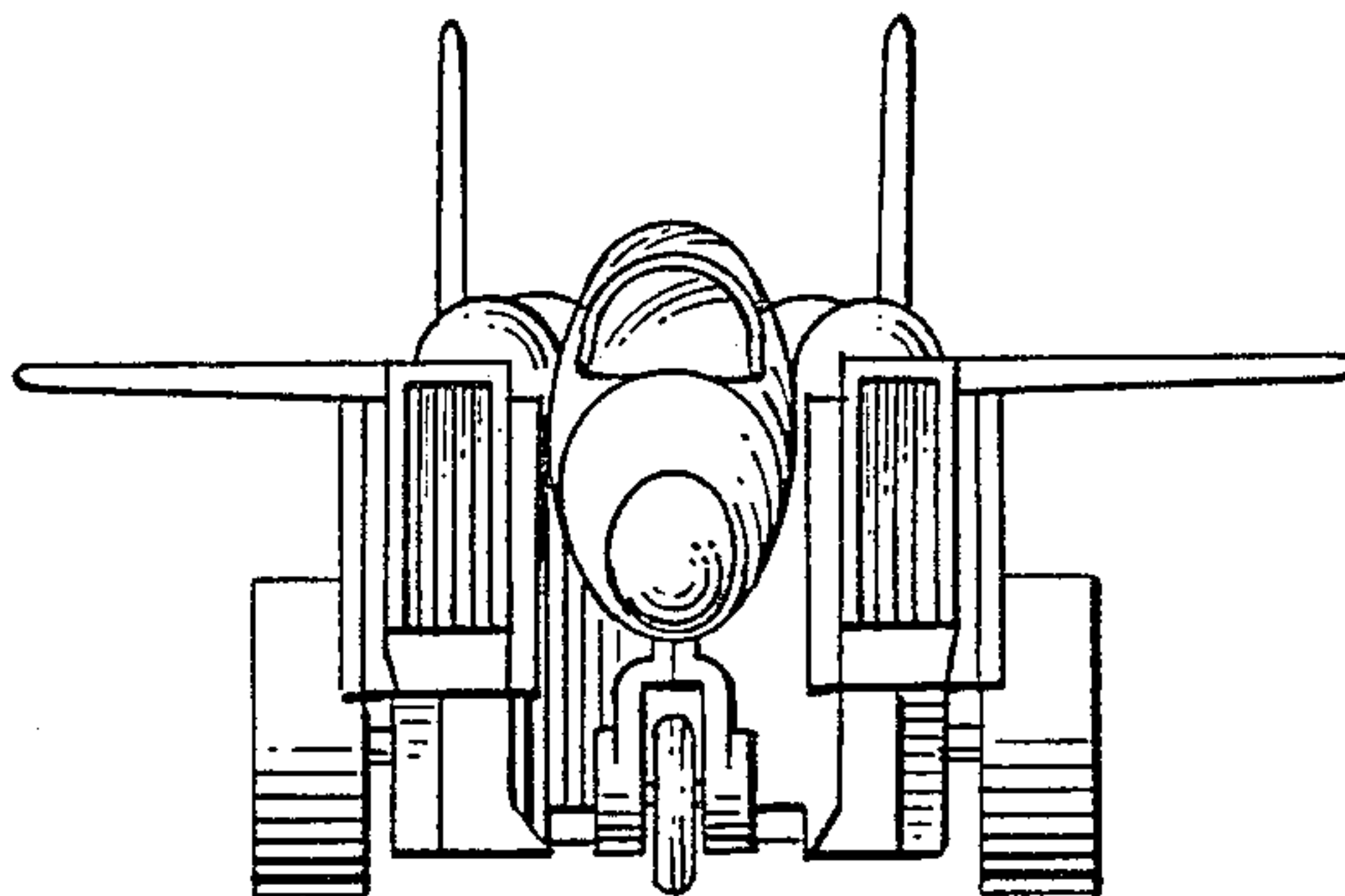


FIG. 2.

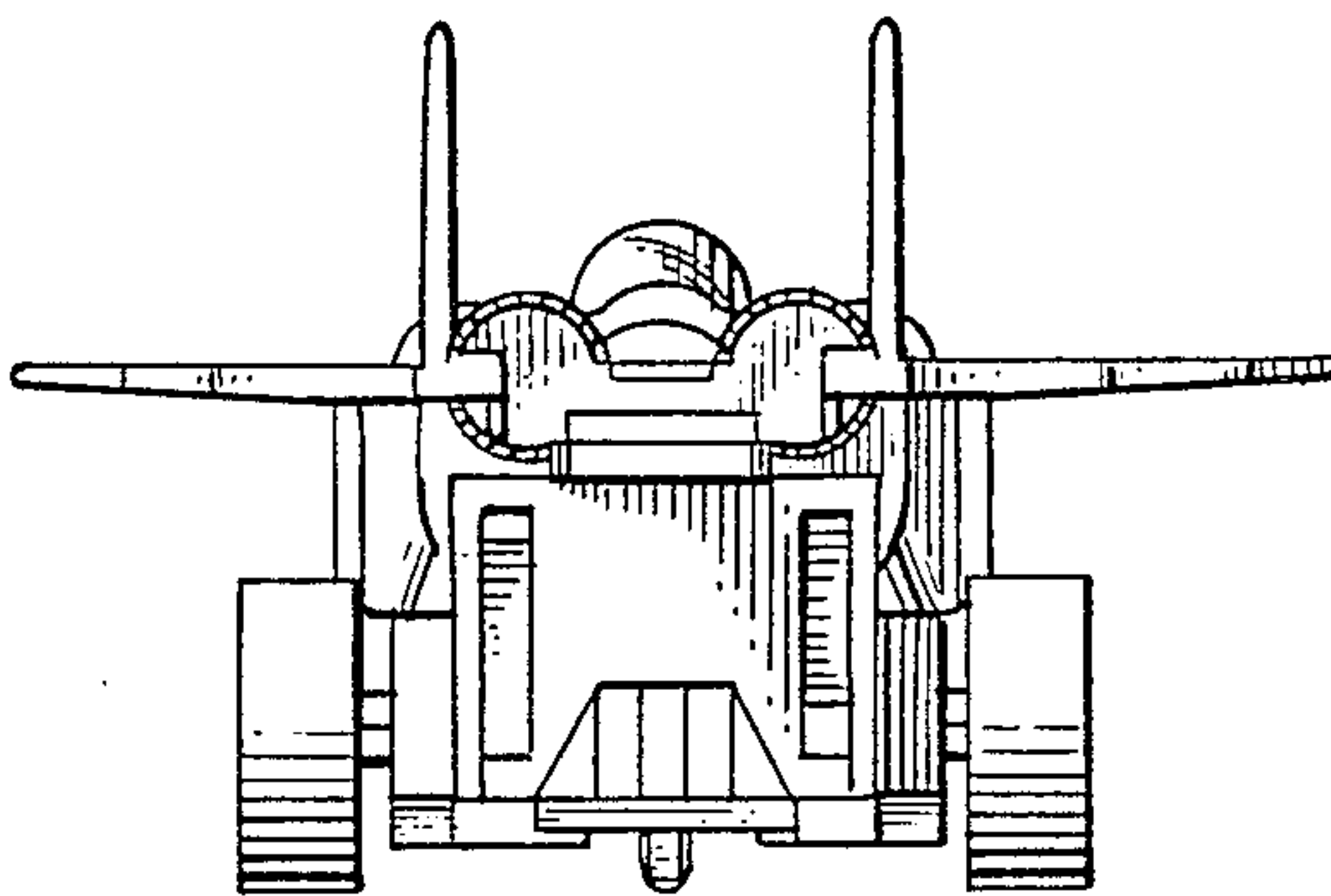


FIG. 3.

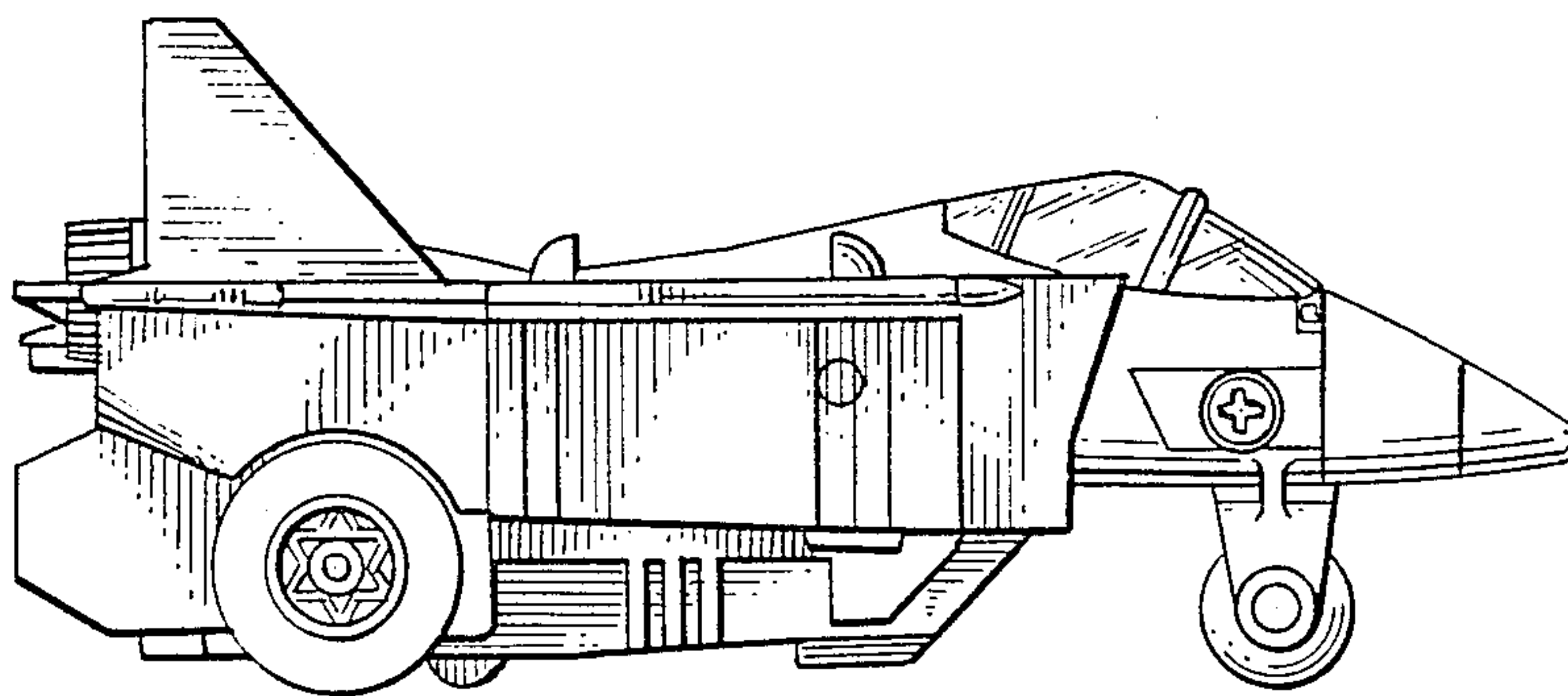


FIG. 4.

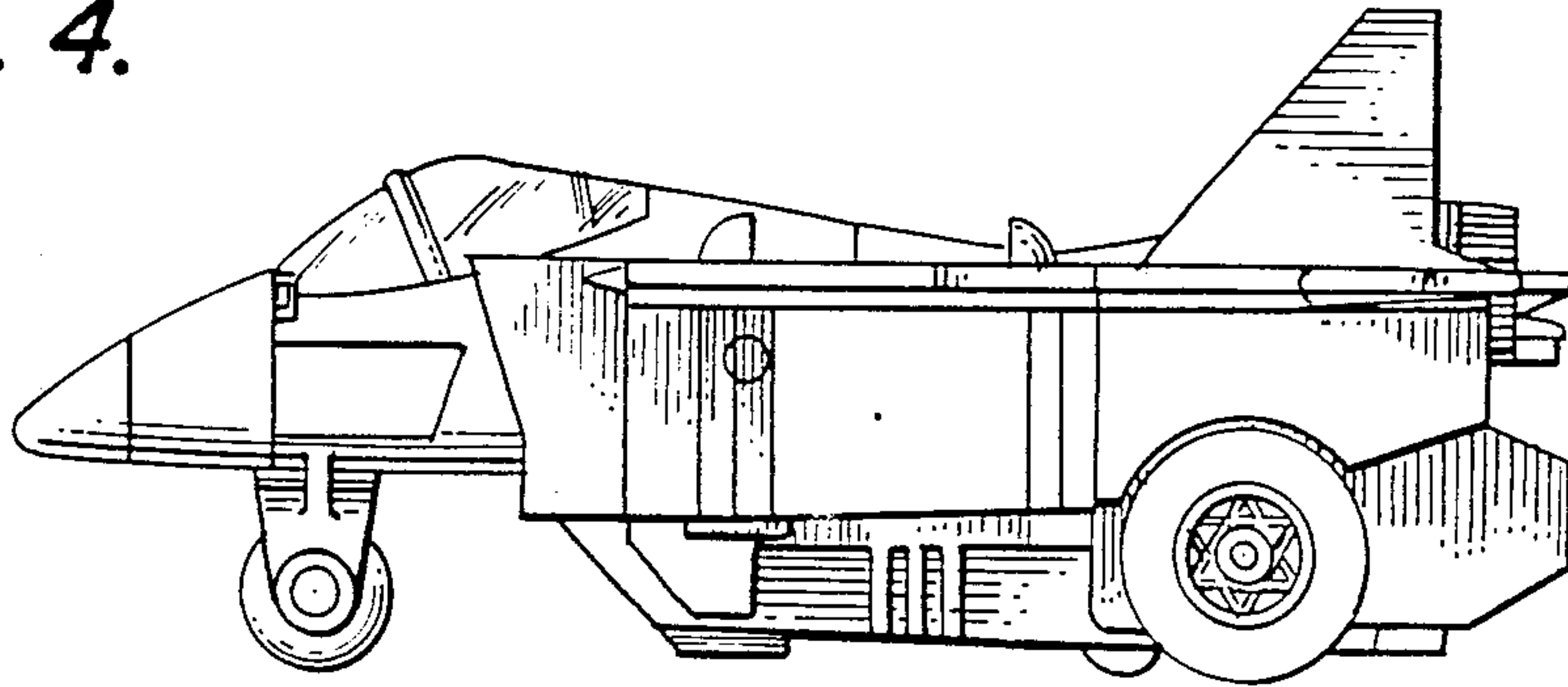


FIG. 5.

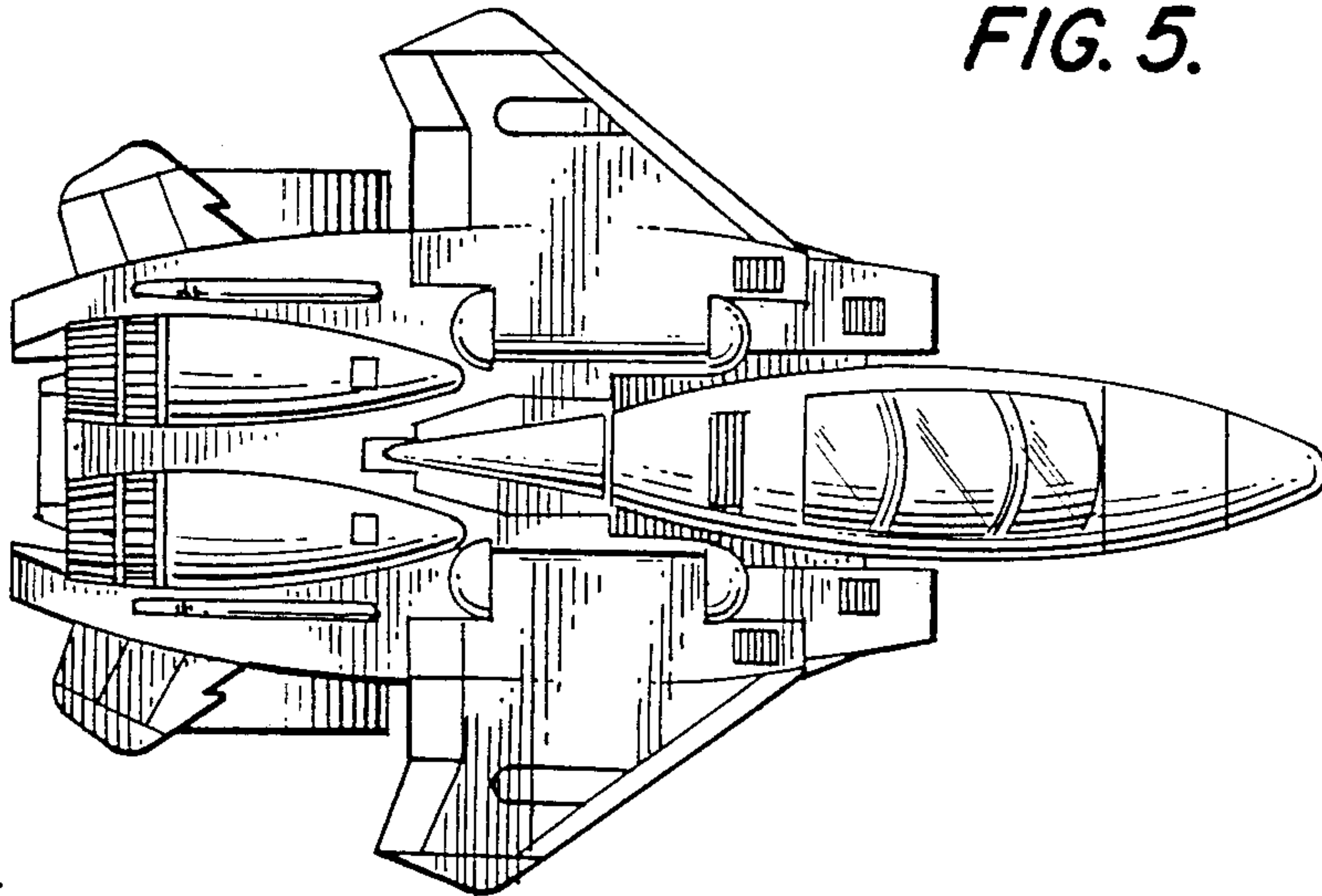


FIG. 6.

