

United States Patent [19]

Morgan, Jr. et al.

[11] Patent Number: Des. 292,993

[45] Date of Patent: ** Dec. 1, 1987

[54] ISLAND VENDING MACHINE

[75] Inventors: Annis R. Morgan, Jr.; Eddie W. King;
J. Henry Brandes, all of Atlanta;
James N. Lettera, Mableton, all of
Ga.

[73] Assignee: The Coca-Cola Company, Atlanta,
Ga.

[**] Term: 14 Years

[21] Appl. No.: 596,997

[22] Filed: Apr. 5, 1984

Related U.S. Application Data

[63] Continuation-in-part of Ser. No. 309,470, Oct. 7, 1981.
[52] U.S. Cl. D20/5; D20/4
[58] Field of Search D20/1-9;
194/1 R, 12, DIG. 5; 222/2, 25, 39

[56] References Cited

U.S. PATENT DOCUMENTS

D. 39,158	2/1908	Hagen	D20/4
D. 81,993	9/1930	Pelzer	D20/4
D. 89,112	1/1933	Katz	D20/4
D. 141,097	5/1945	Pinanski	D20/1 X
D. 266,337	9/1982	Bachmann et al.	D20/5
D. 267,498	1/1983	Bachmann et al.	D20/5
D. 275,019	8/1984	Morgan, Jr. et al.	D20/5
2,792,920	5/1957	Sutphen et al.	222/2 X
2,978,085	4/1961	Stayton et al.	D20/5 X

Primary Examiner—George P. Word
Assistant Examiner—Linda Titolo
Attorney, Agent, or Firm—Birch, Stewart, Kolasch &
Birch

[57] CLAIM

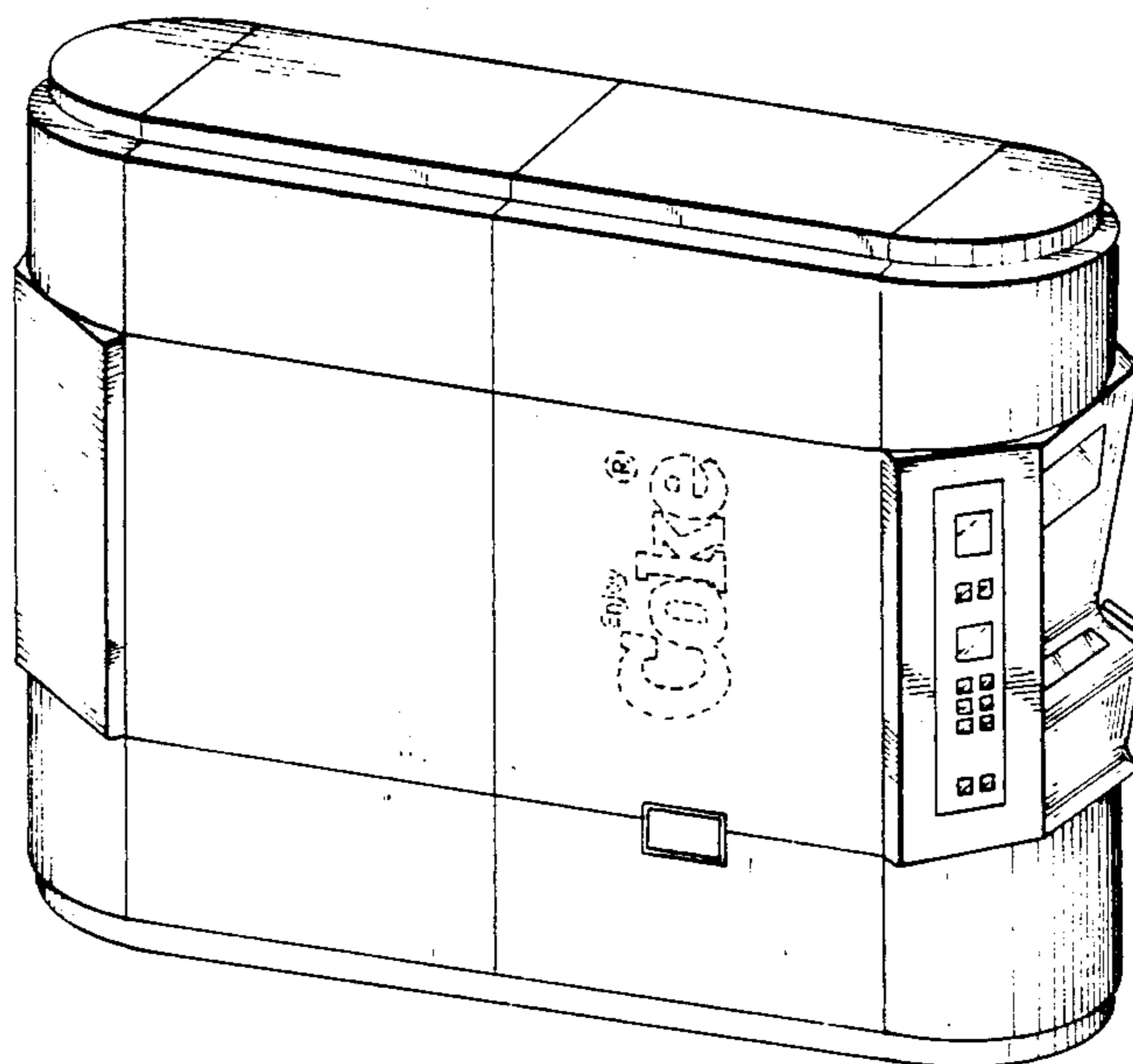
The ornamental design for an island vending machine,
as shown and described.

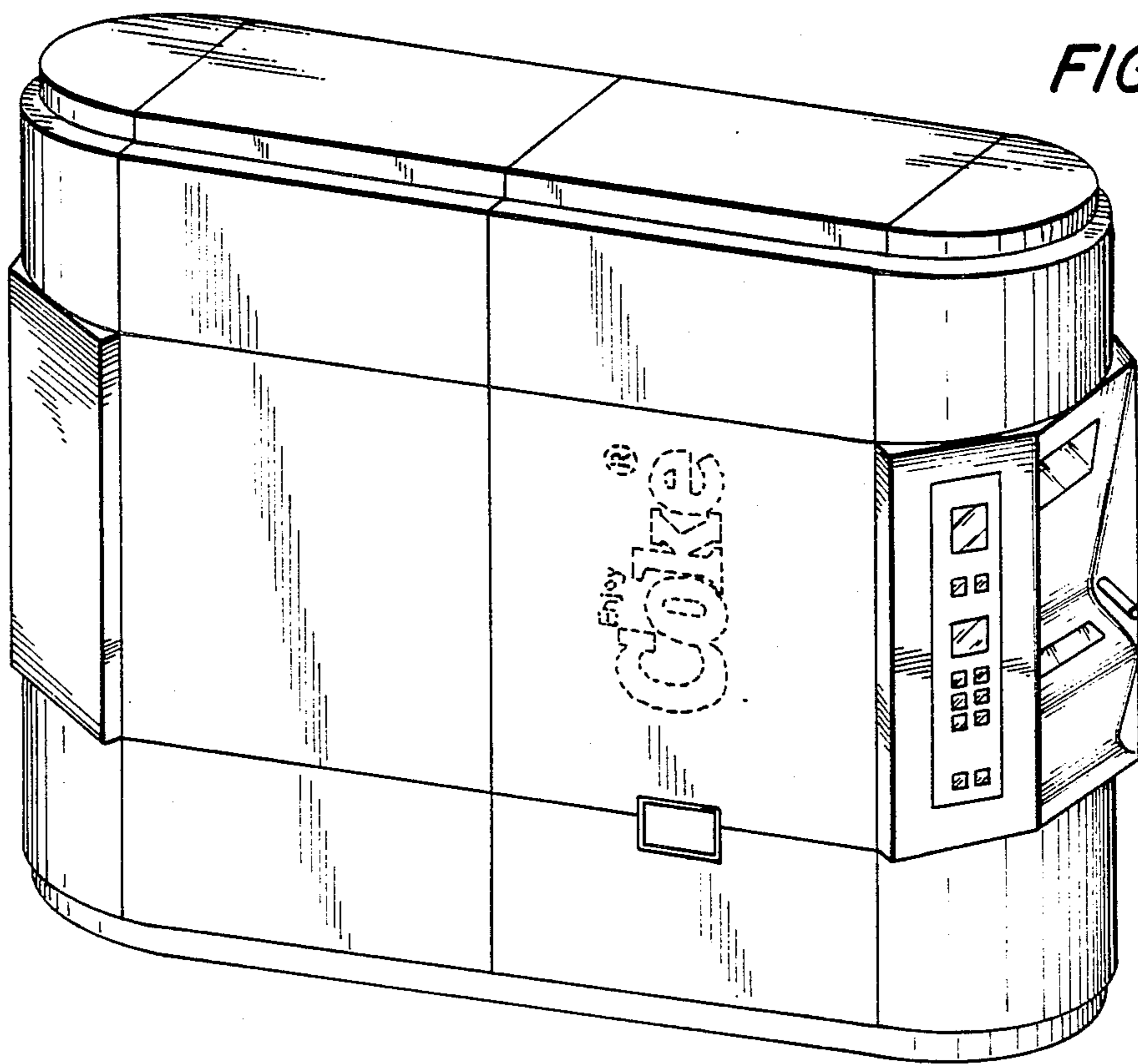
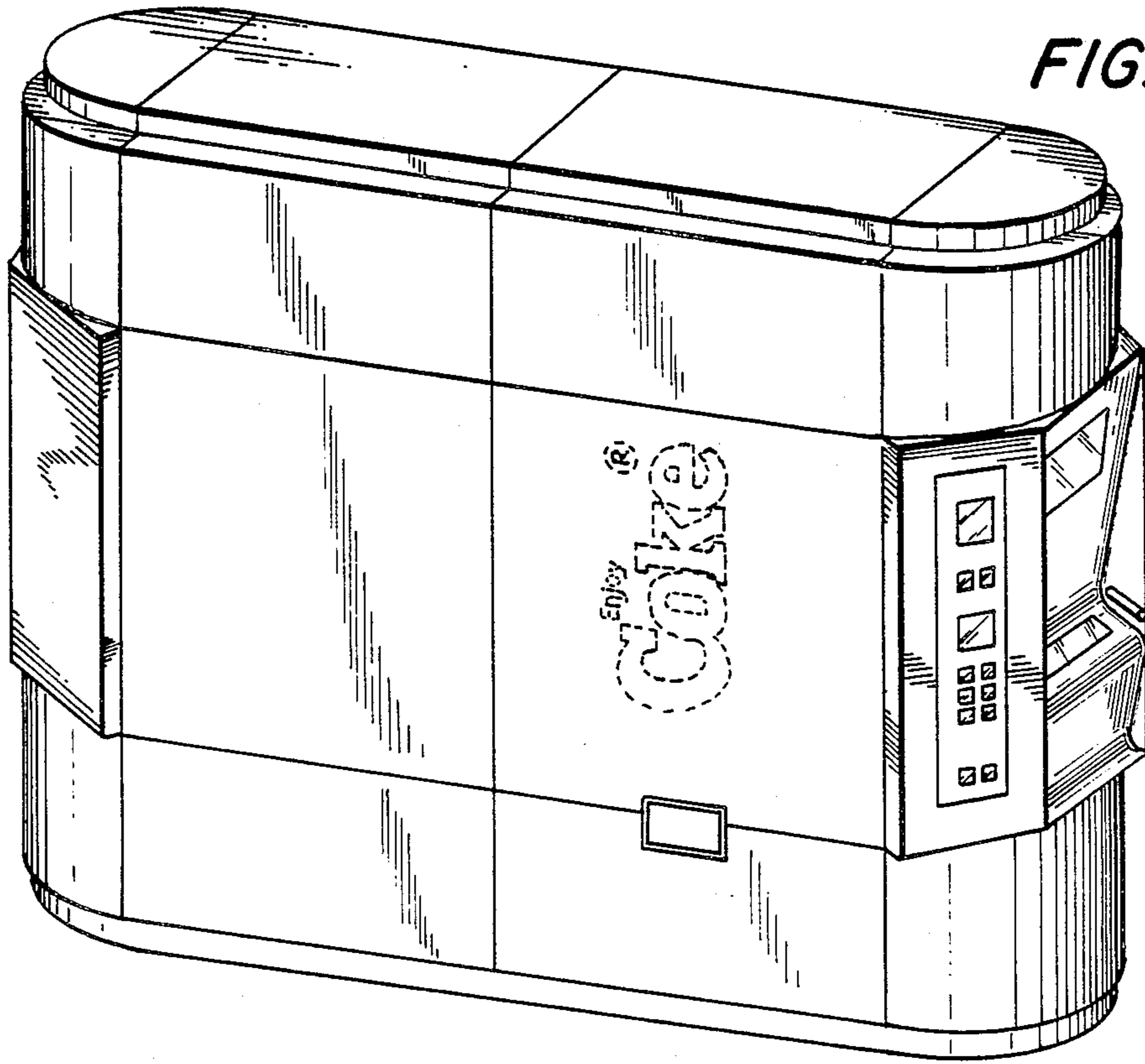
DESCRIPTION

FIG. 1 is a top front and right side perspective view of an island vending machine, showing out new design; FIG. 2 is a top rear left side perspective view thereof; FIG. 3 is a top plan view thereof; FIG. 4 is a end elevational view thereof; FIG. 5 is a top front and right side perspective view of a second embodiment of that shown in FIG. 1, the rear perspective view being an identical image thereof; FIG. 6 is a top front and right side perspective view of a third embodiment of that shown in FIG. 1, the rear perspective view being an identical image thereof; FIG. 7 is a top front and right side perspective view of a fourth embodiment of that shown in FIG. 1, the rear perspective view being an identical image thereof; and FIG. 8 is a top plan view thereof.

The end elevational views of embodiments 2-4 are substantially the same as that shown in FIG. 4. The top plan views of embodiments 2 and 3 are the same as that shown in FIG. 3.

The broken lines indicating indicia in FIGS. 1-2 and 5-7 are shown for illustrative purposes only.





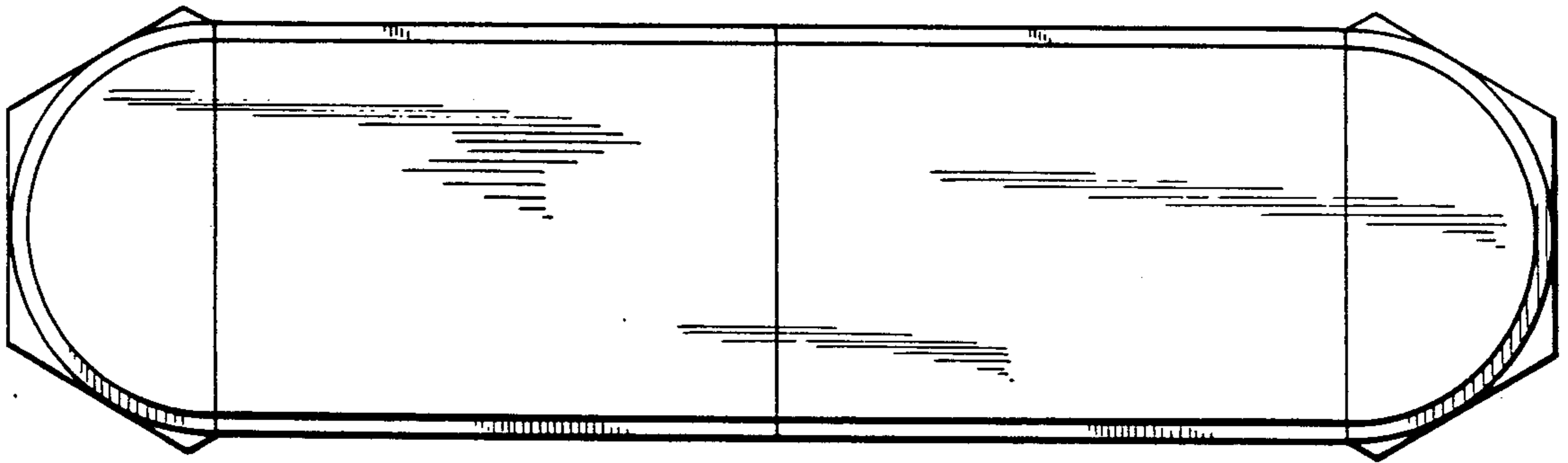


FIG. 3

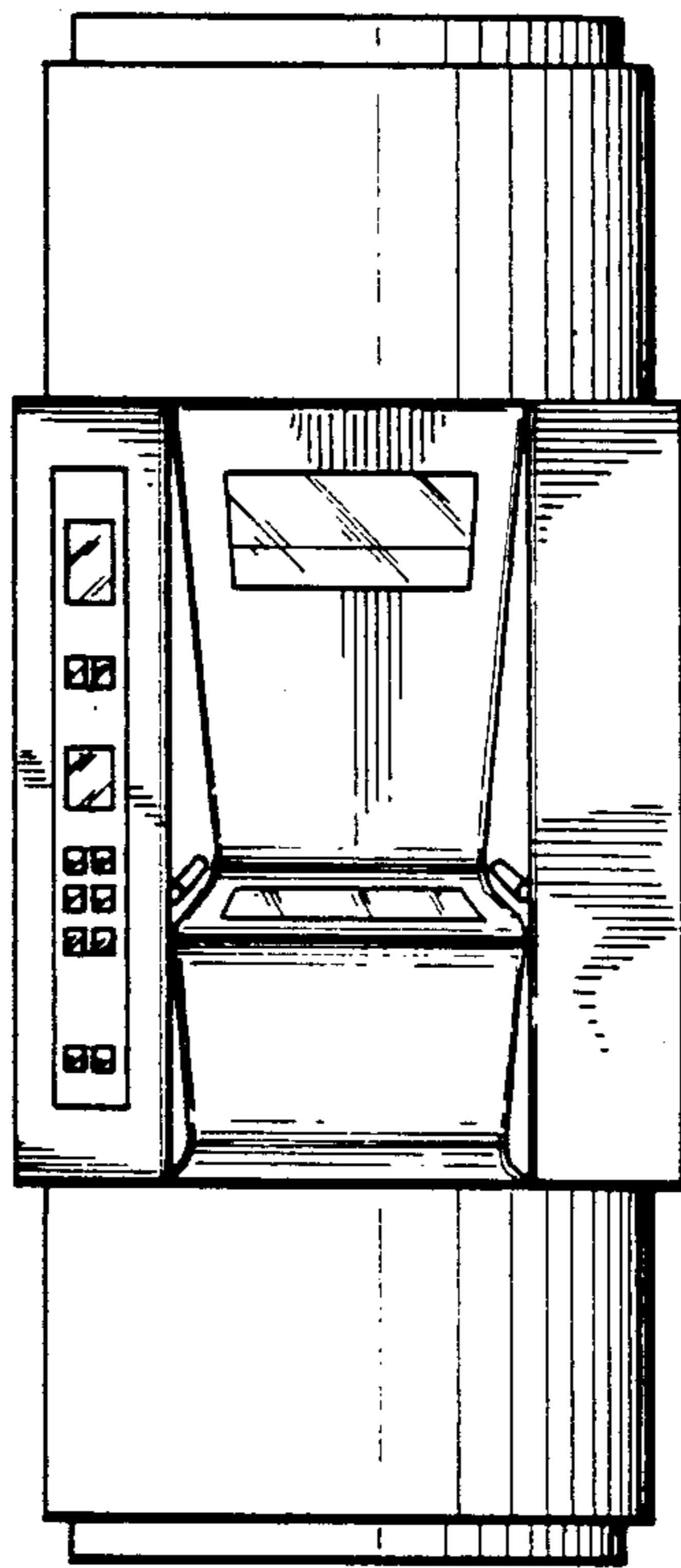


FIG. 4

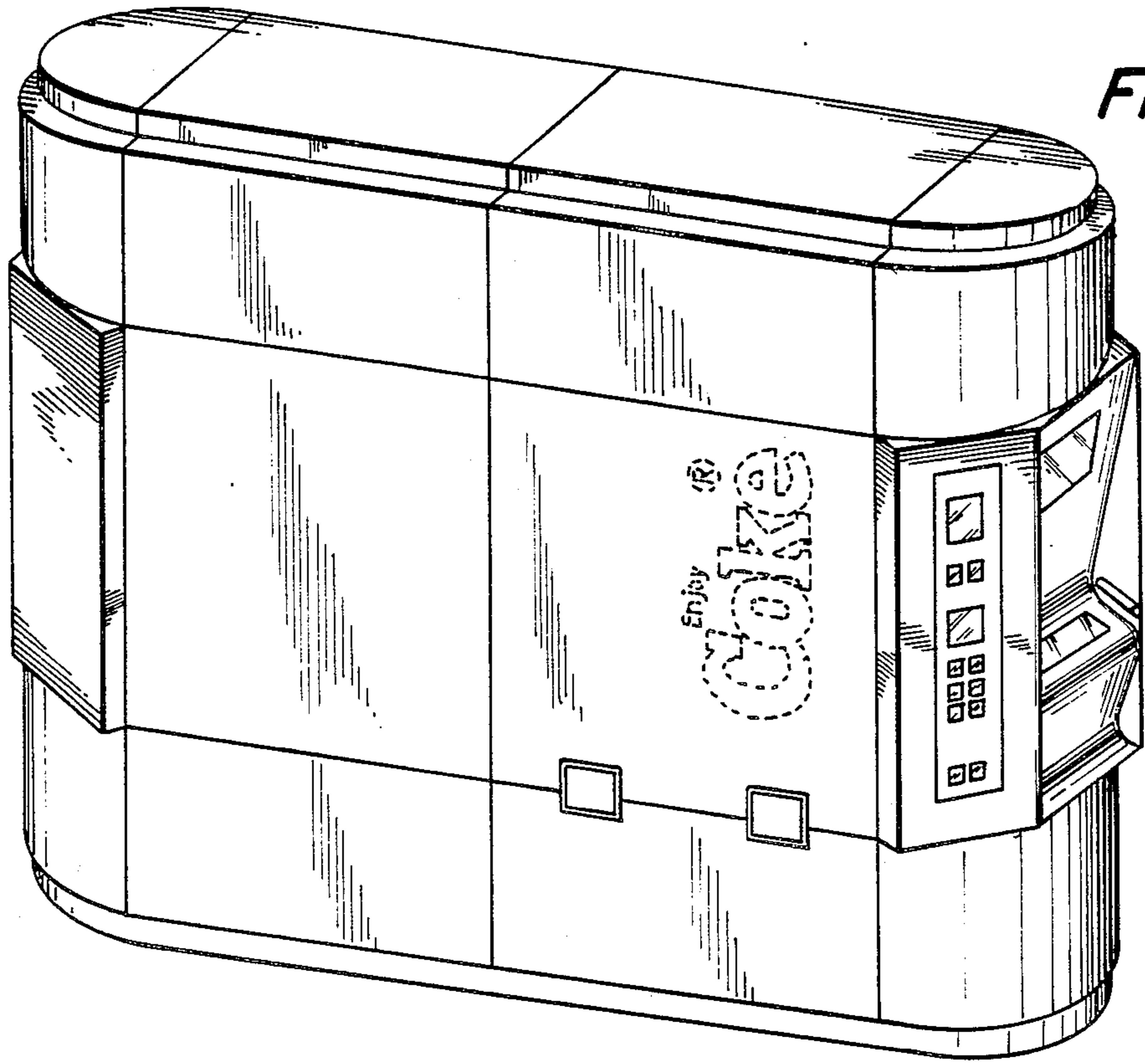


FIG. 5

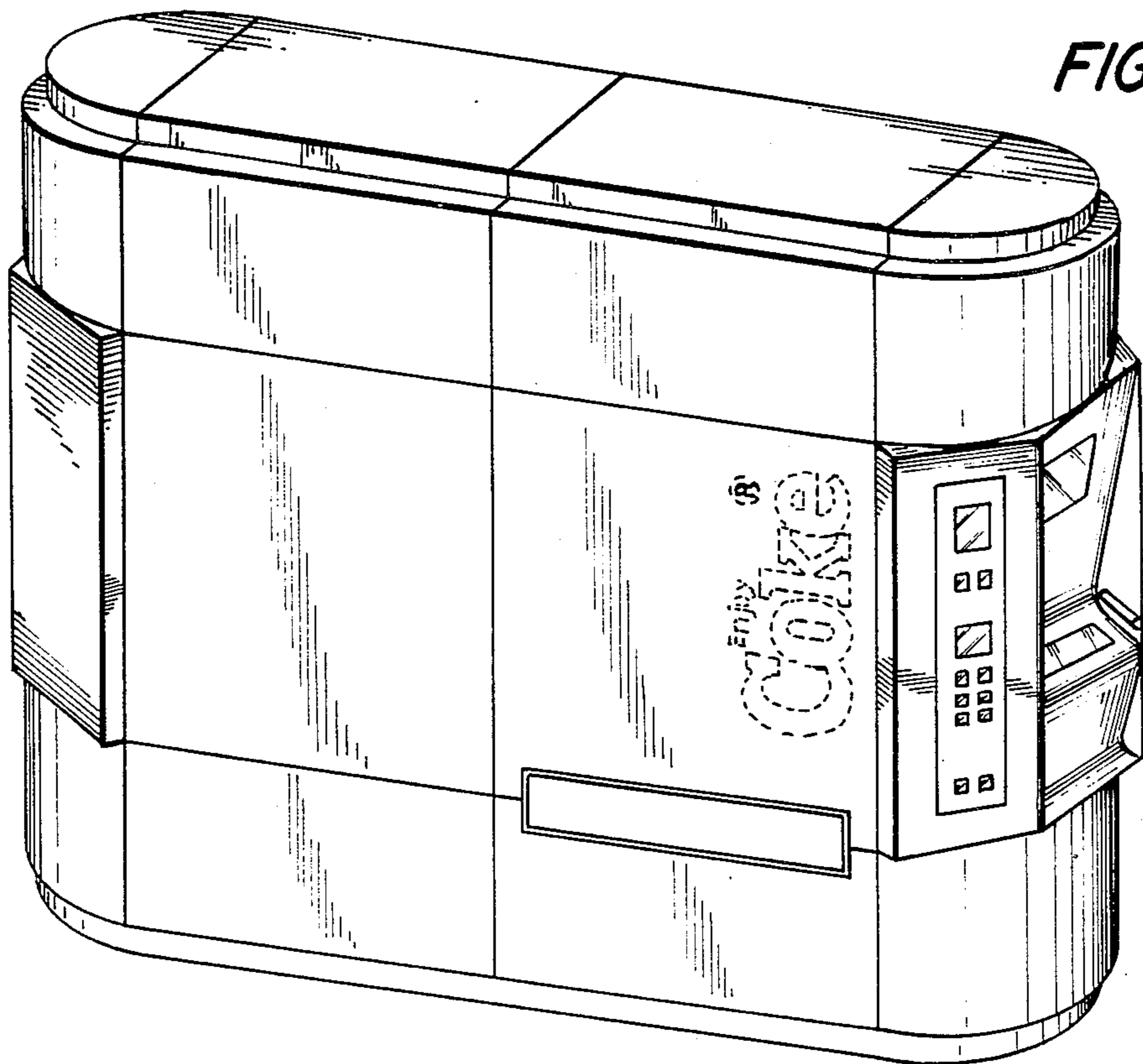


FIG. 6

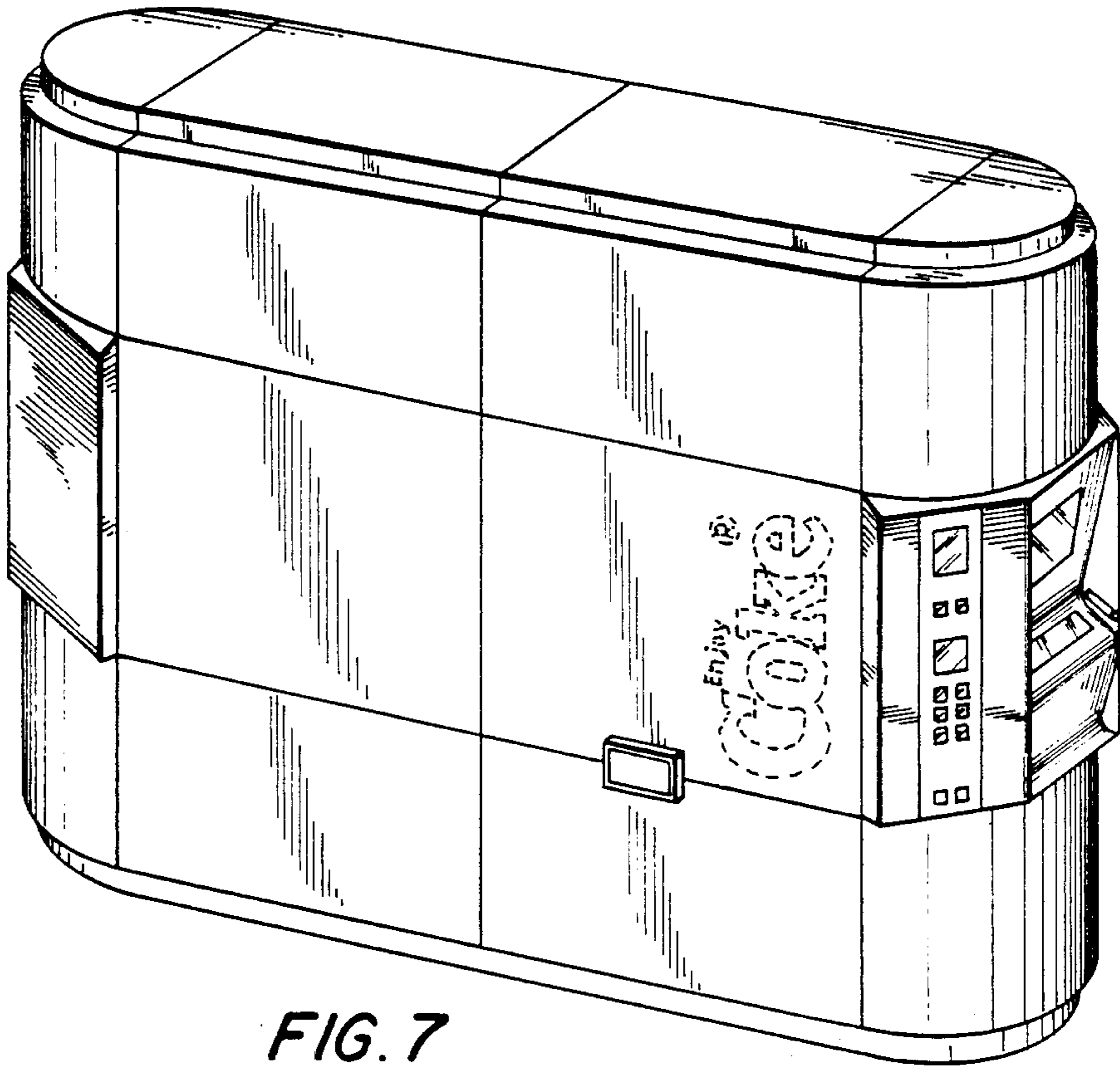


FIG. 7

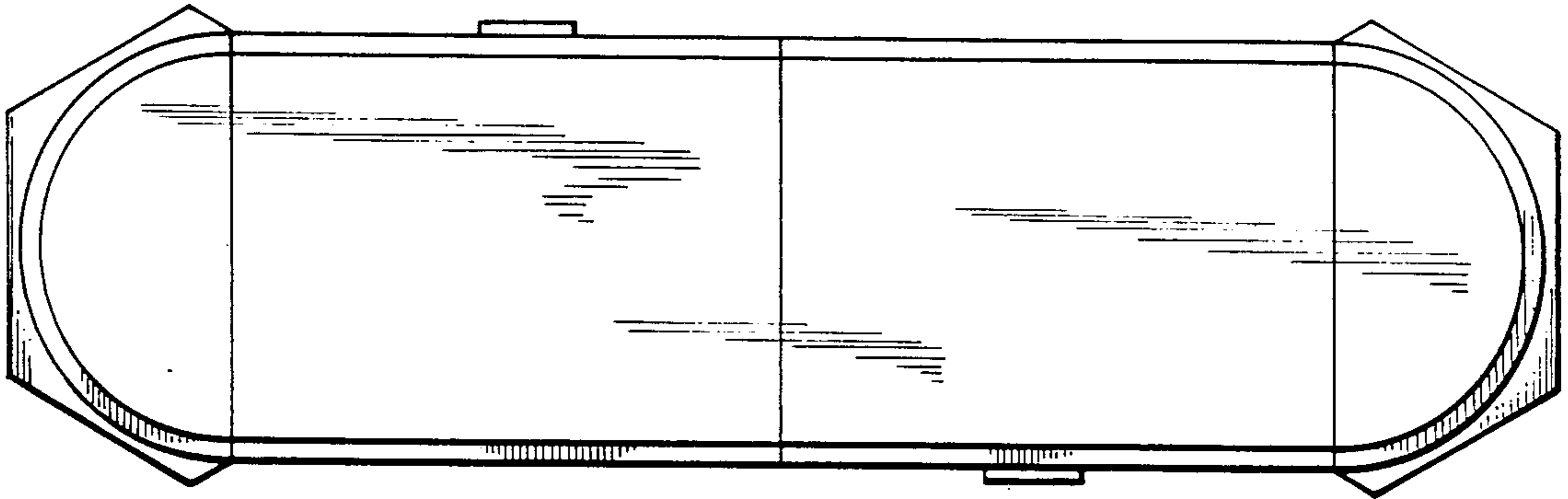


FIG. 8