

[54] **DESK SET**

- [76] **Inventor: Jack F. Staley, 1304 Cardinal Dr.,
Warsaw, Ind. 46580**
- [**] **Term: 14 Years**
- [21] **Appl. No.: 720,385**
- [22] **Filed: Apr. 5, 1985**
- [52] **U.S. Cl. D19/75; D19/82;
D19/85; D19/97**
- [58] **Field of Search D19/21, 23, 75, 77-85,
D19/97; 211/69.1, 69.5, 69.6; D18/9**

[56]

References Cited

U.S. PATENT DOCUMENTS

- D. 70,173 5/1926 Holtz D19/97
D. 145,809 10/1946 Lewis D19/77
D. 250,201 11/1978 Pierce D19/77

OTHER PUBLICATIONS

The Frederick Post Co., cat. 1936, p. 180, item No. 1459.
Sheaffers Decorator Design Desk Sets ©1961, p. 7, item 113c.

Primary Examiner—George P. Word
Attorney, Agent, or Firm—Thomas J. Dodd

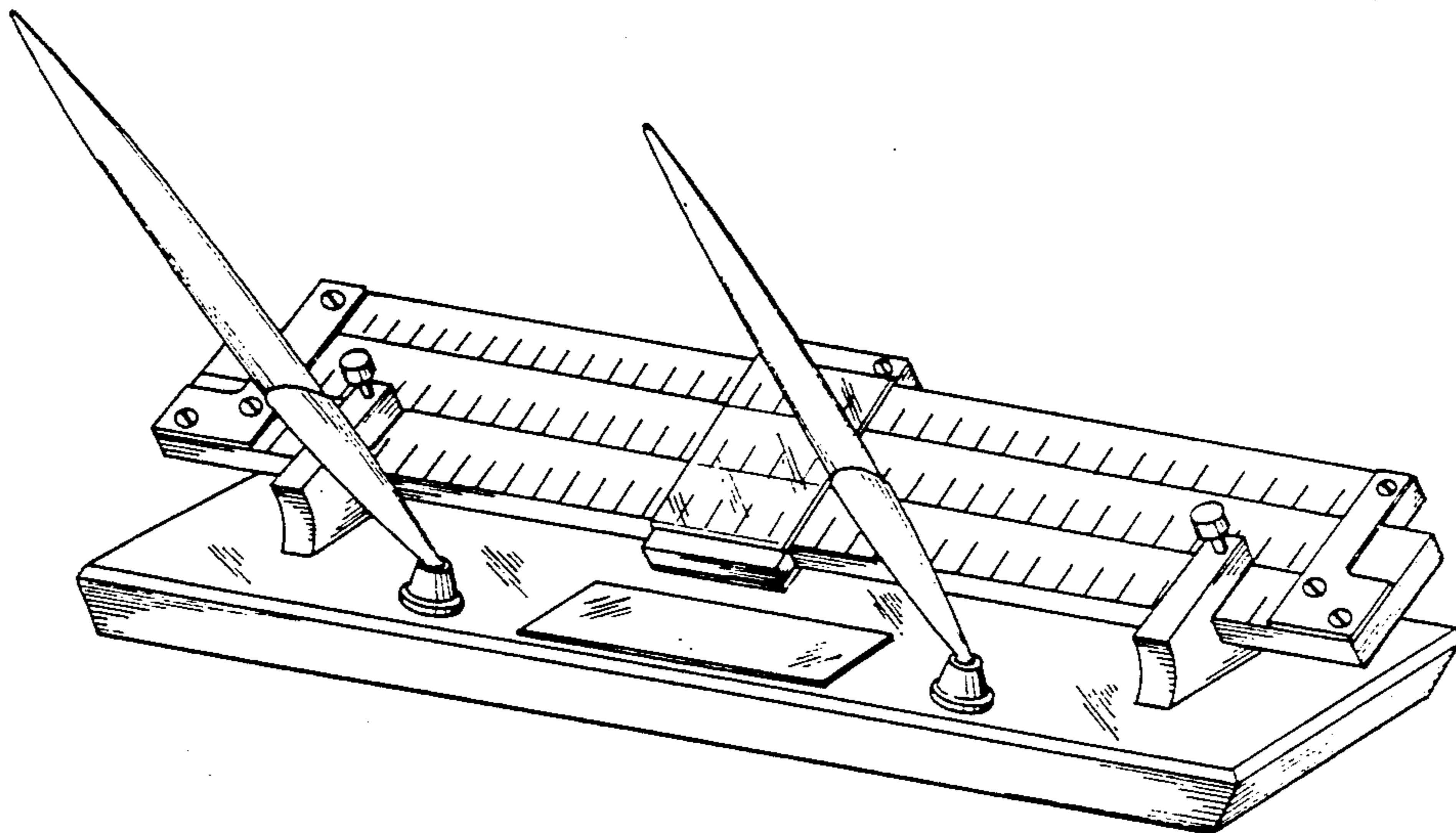
[57]

CLAIM

The ornamental design for a desk set, as shown and described.

DESCRIPTION

FIG. 1 is a perspective view of a desk set showing my new design;
FIG. 2 is a front elevational view thereof;
FIG. 3 is a rear elevational view thereof;
FIG. 4 is a right side elevational view, the opposite side being substantially a mirror image thereof;
FIG. 5 is a top plan view thereof; and
FIG. 6 is a bottom plan view thereof.



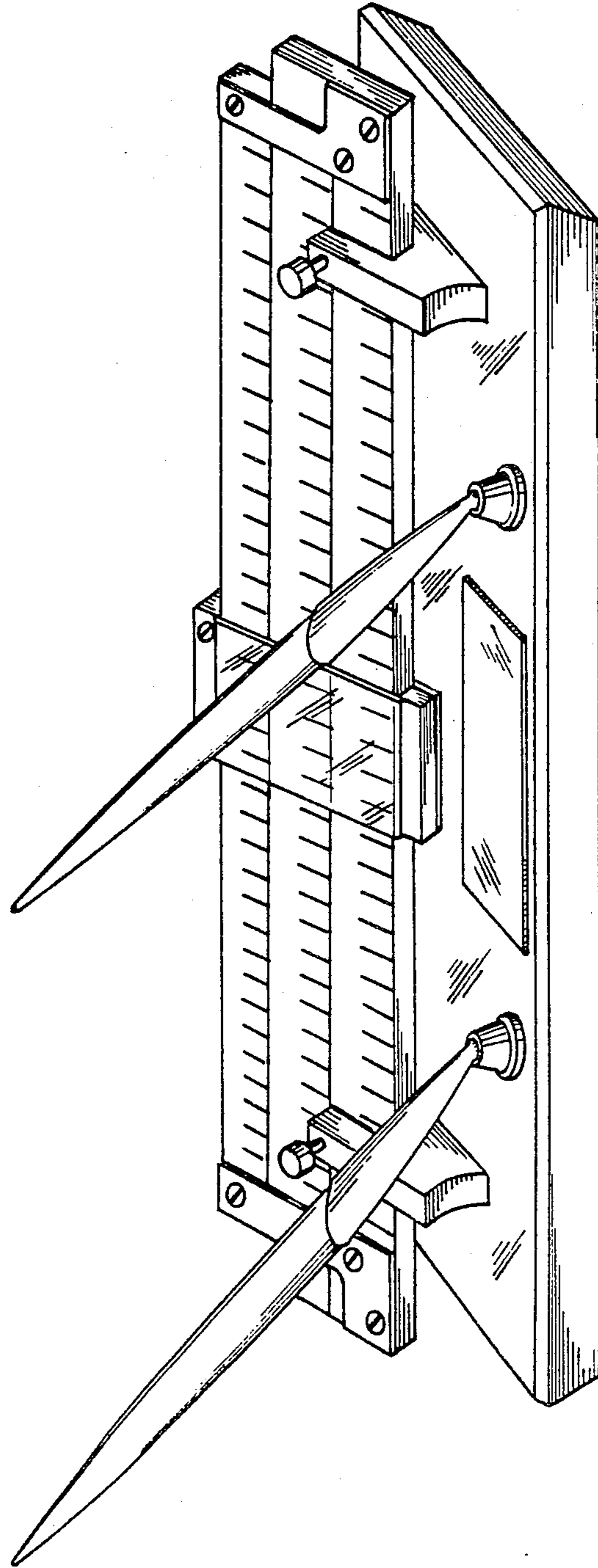


FIG. 1

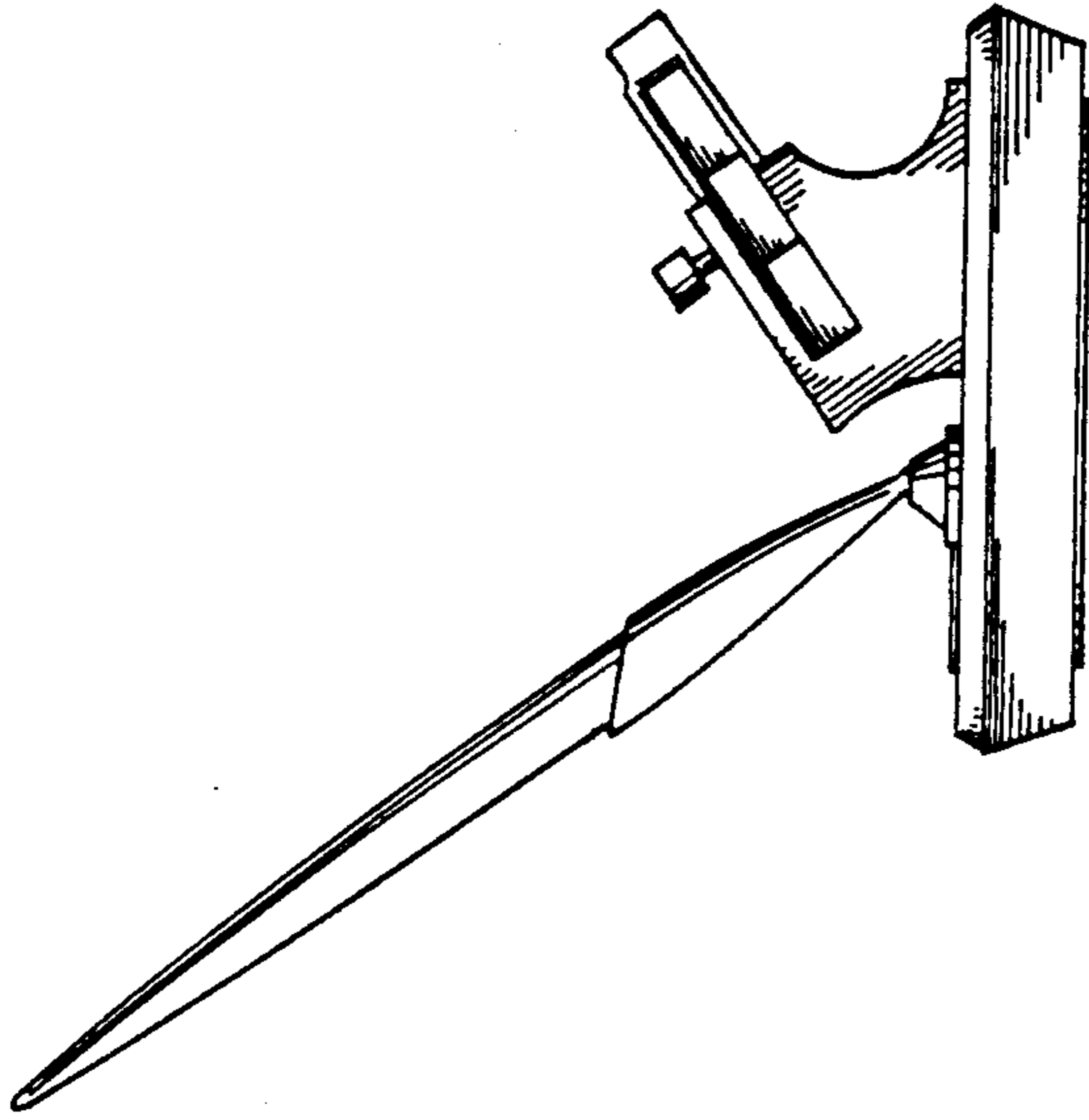


FIG. 4

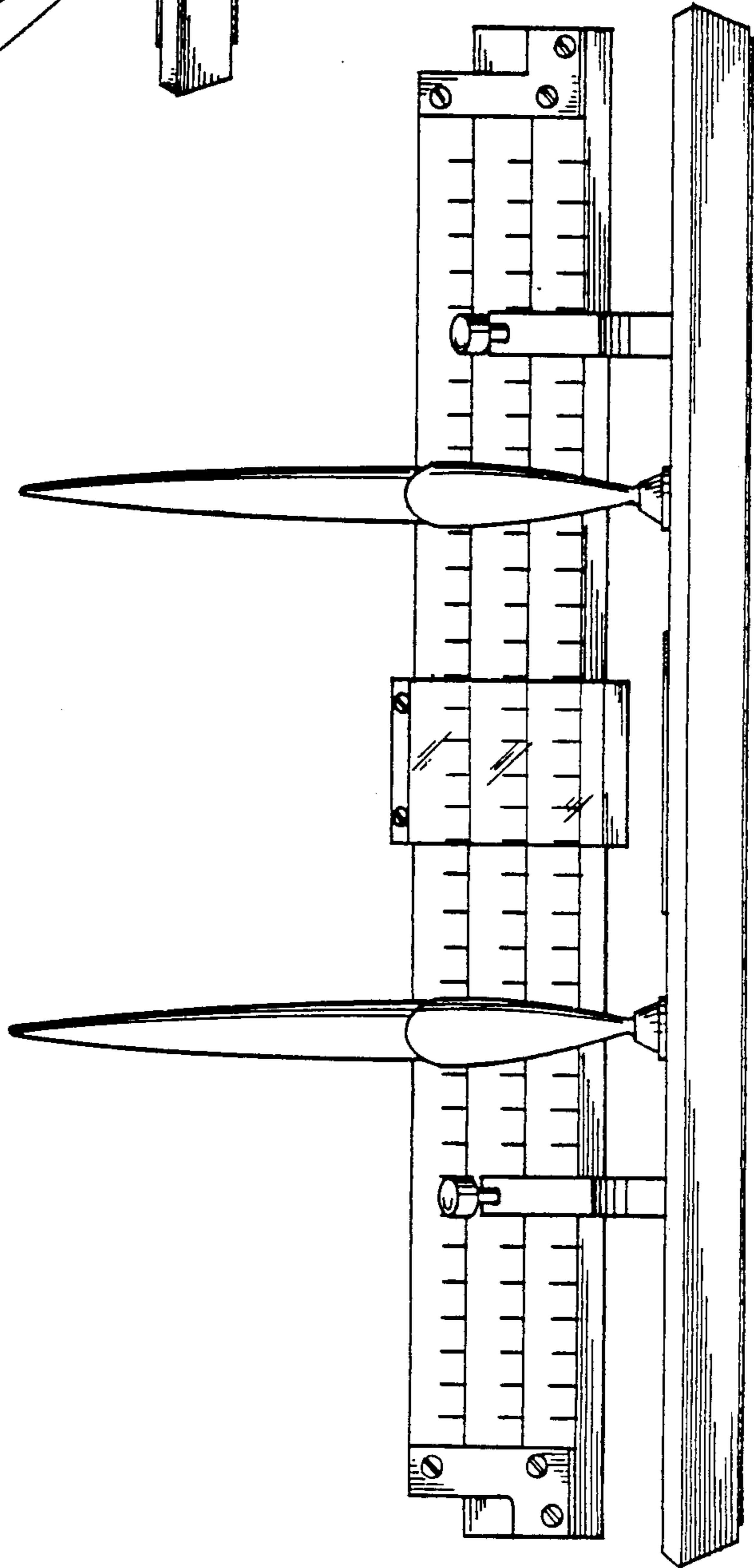


FIG. 2

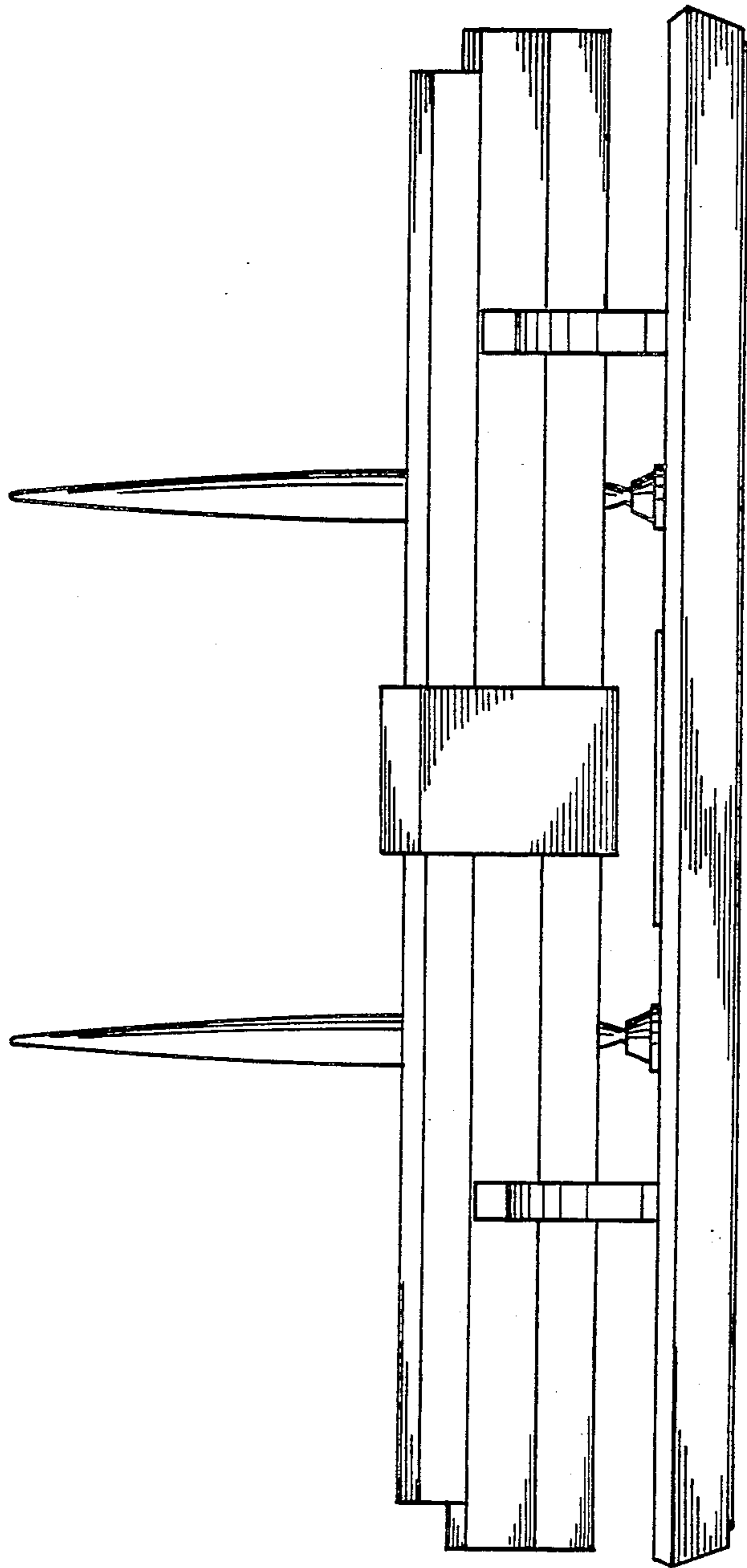


FIG. 3

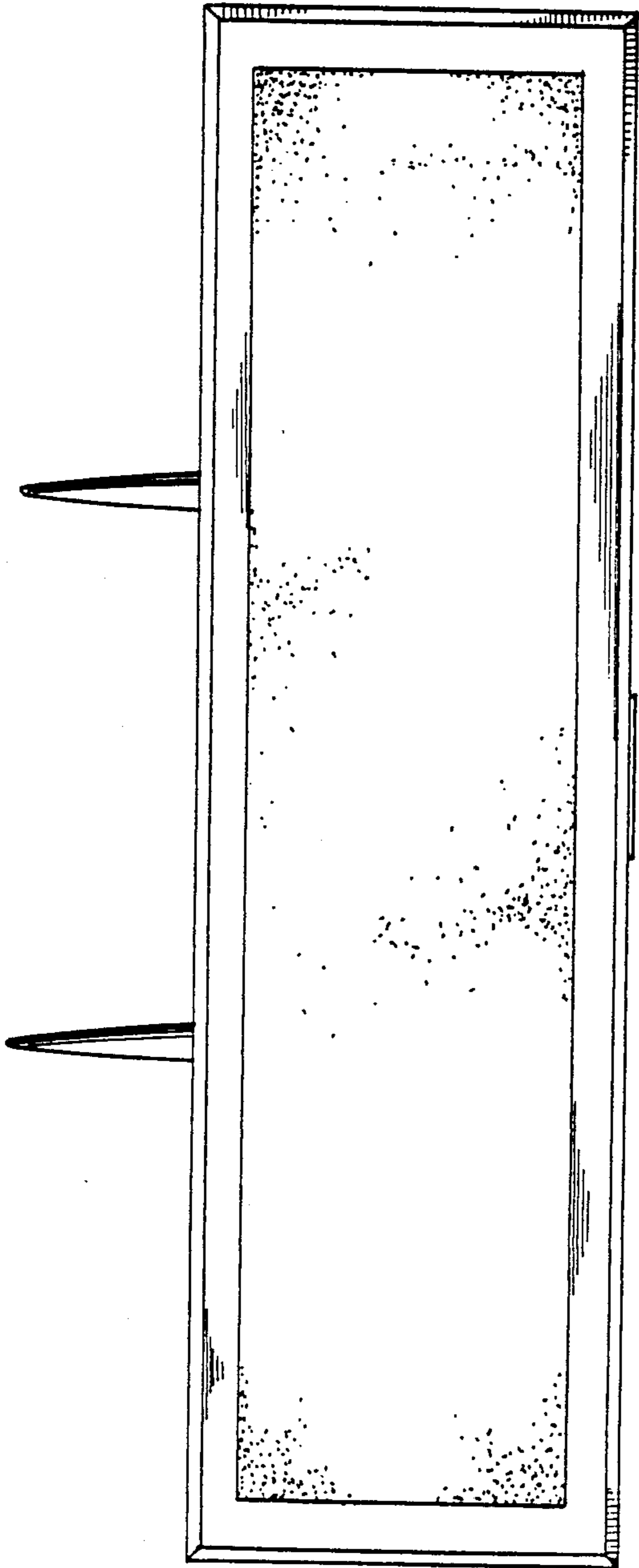


FIG 6

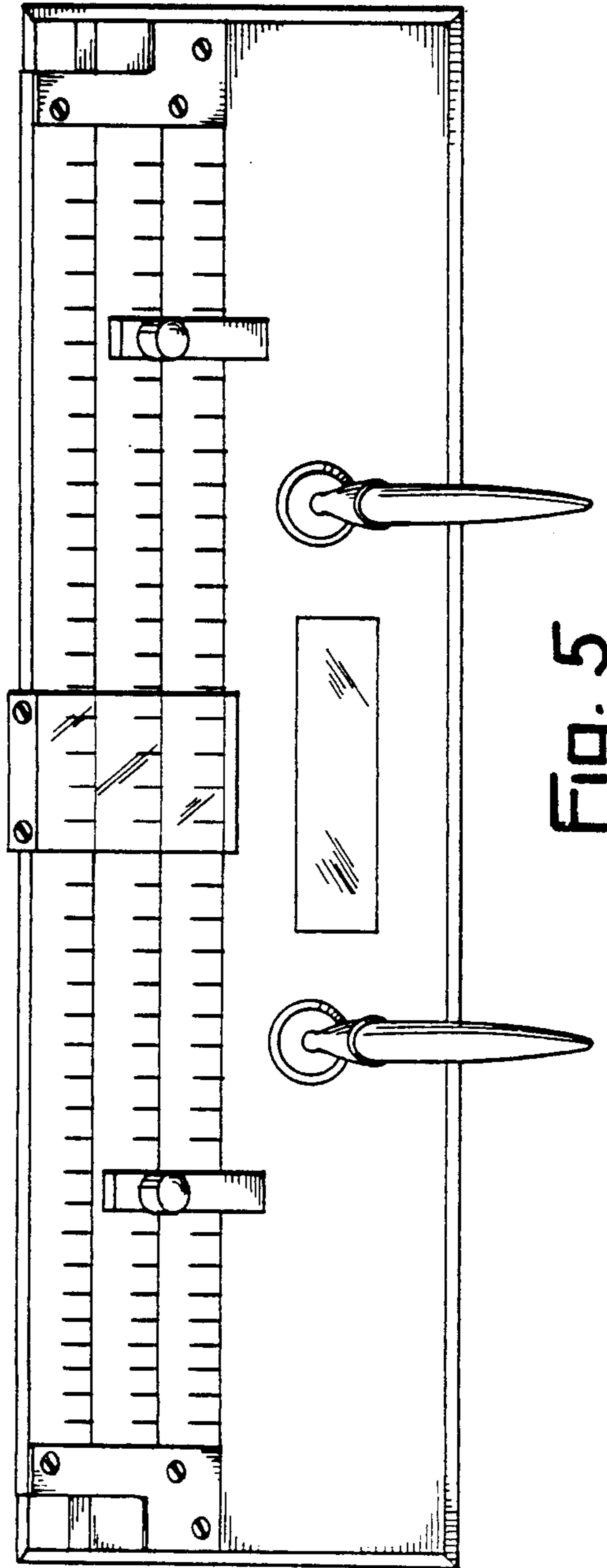


FIG. 5