

# United States Patent [19]

Johnson, Jr.

[11] Patent Number: Des. 292,987

[45] Date of Patent: \*\* Dec. 1, 1987

[54] ELECTRICAL GUITAR

[76] Inventor: Frederick C. Johnson, Jr., 10550  
Pepper Brook La., San Diego, Calif.  
92131

[\*\*] Term: 14 Years

[21] Appl. No.: 714,563

[22] Filed: Mar. 21, 1985

[52] U.S. Cl. .... D17/18; 84/291

[58] Field of Search ..... D14/14-21,  
D14/99; 84/1.16, 267, 291, 293

[56] References Cited

## U.S. PATENT DOCUMENTS

D. 206,554 12/1966 Smith ..... D17/14  
D. 254,011 1/1980 Cohen ..... D17/14

D. 282,851 3/1986 Tornese ..... D17/18  
3,769,871 11/1973 Cawthorn ..... 84/267 X

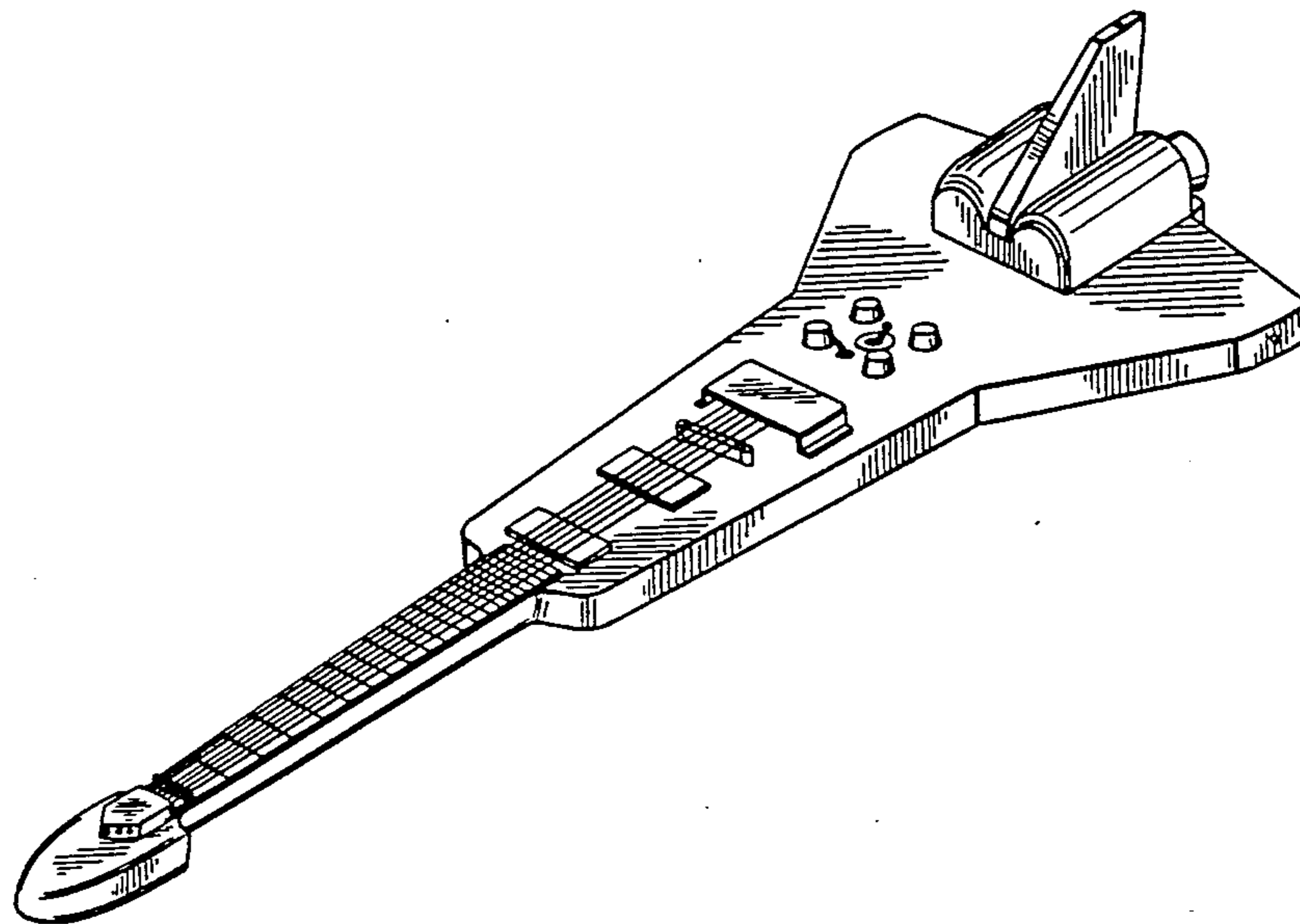
*Primary Examiner*—Bernard Ansher  
*Assistant Examiner*—Theodore M. Shooman  
*Attorney, Agent, or Firm*—Brown, Martin, Haller &  
Meador

[57] CLAIM

The ornamental design for an electrical guitar, as shown.

## DESCRIPTION

FIG. 1 is a top, front and right side perspective view of an electrical guitar showing my new design; FIG. 2 is a rear elevational view thereof; FIG. 3 is a left side elevational view thereof; FIG. 4 is a bottom plan view thereof; and FIG. 5 is a front elevational view thereof.



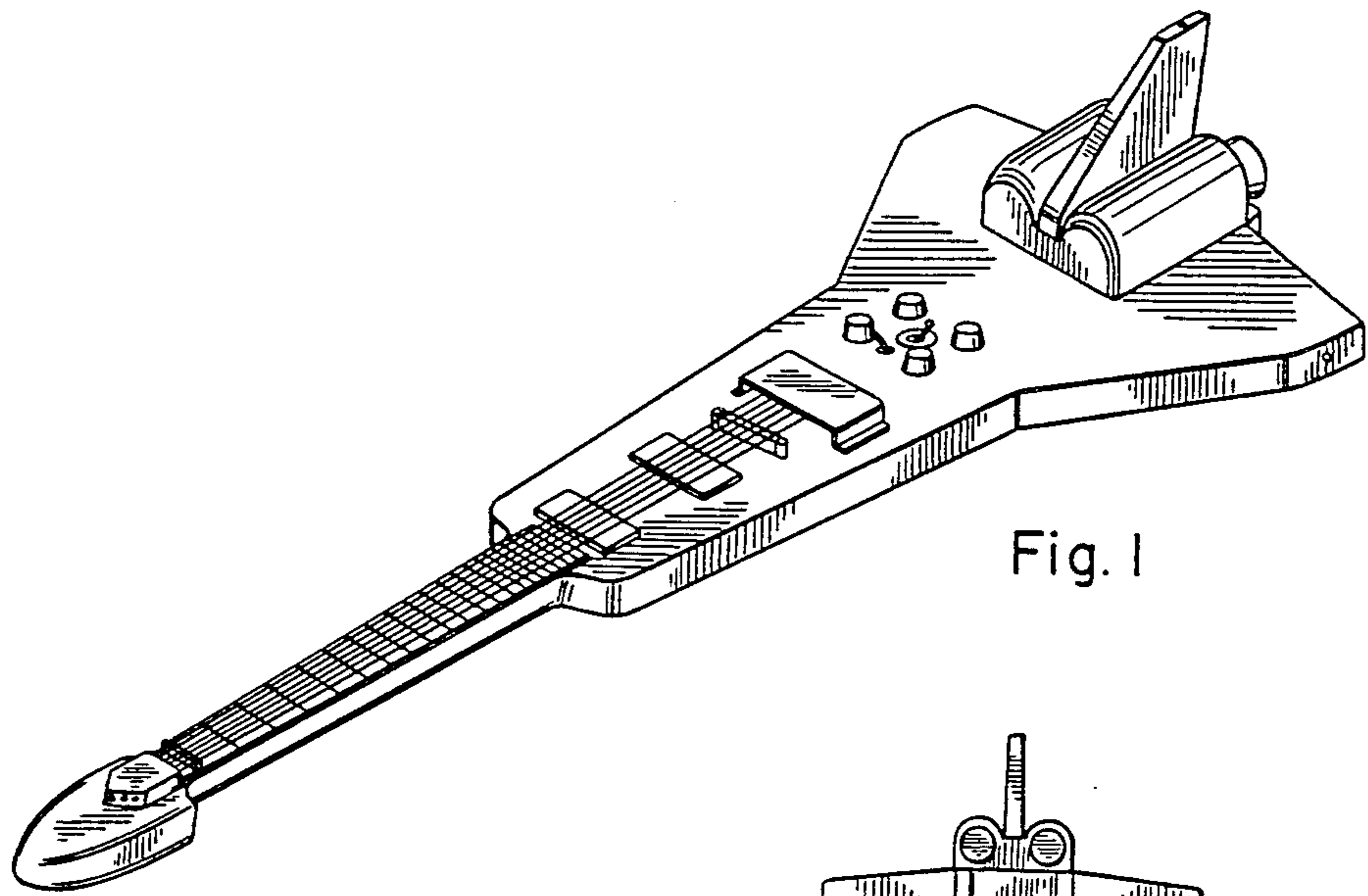


Fig. 1

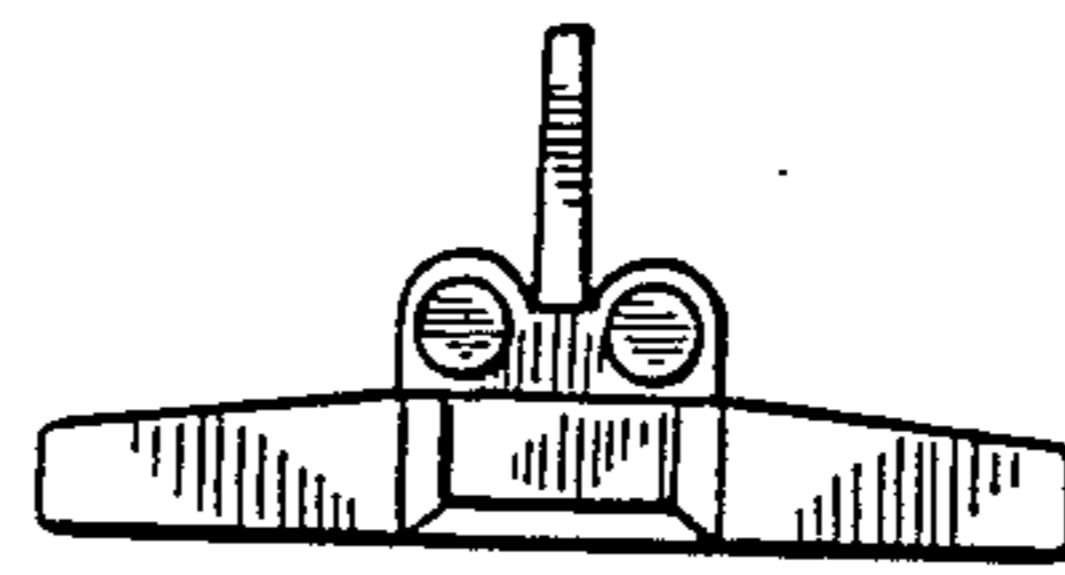


Fig. 2

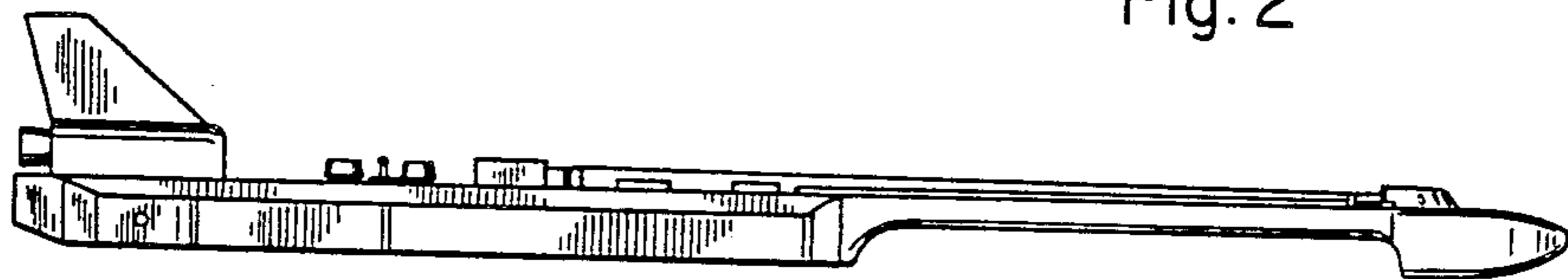


Fig. 3

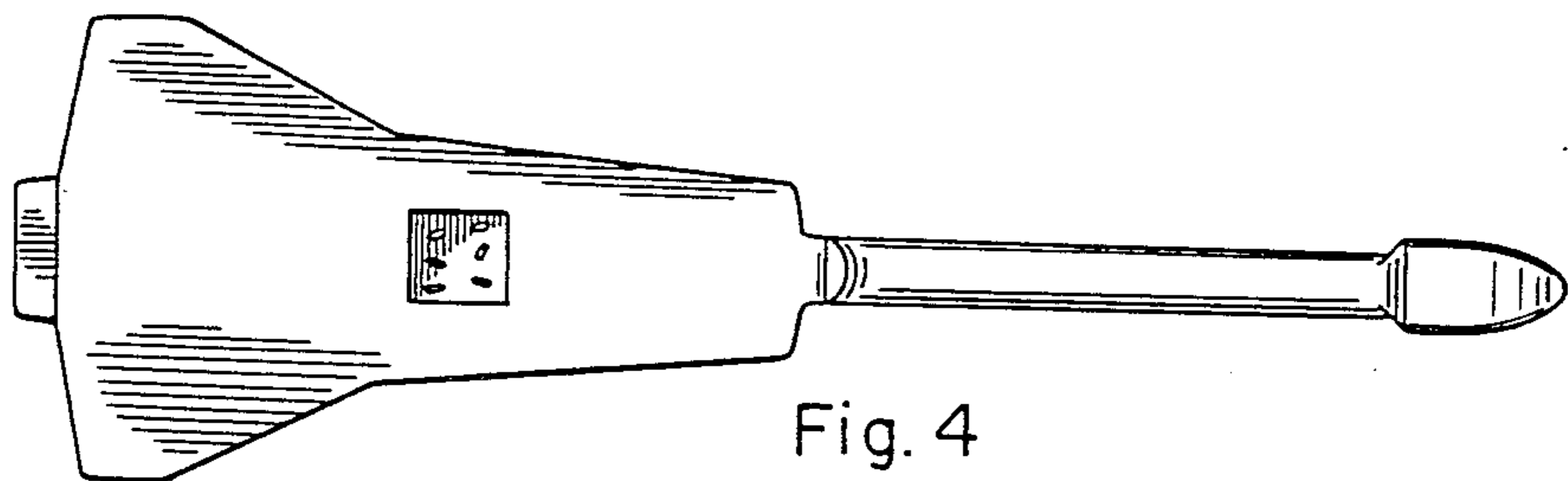


Fig. 4

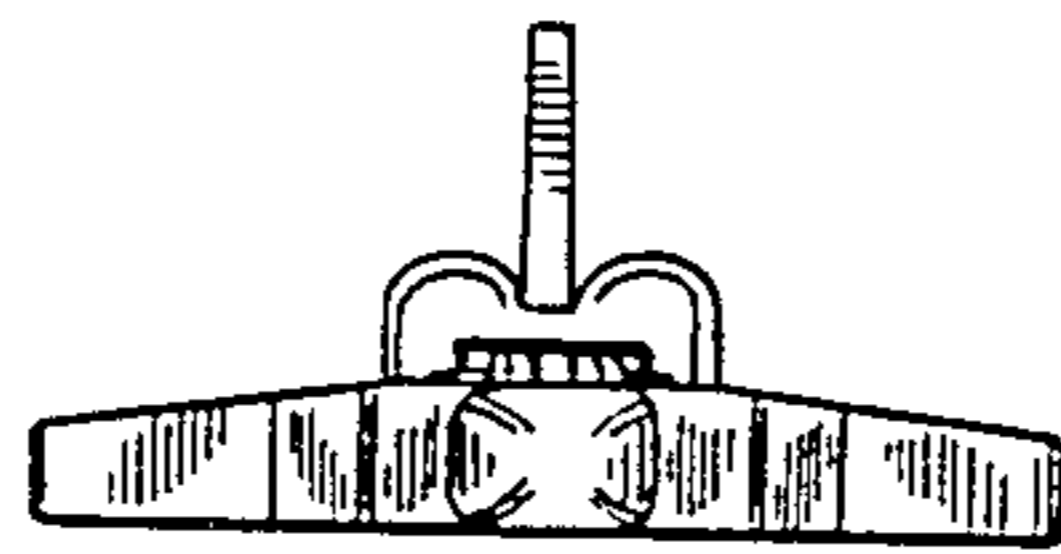


Fig. 5