

United States Patent [19]

Nakatani

[11] Patent Number: Des. 292,982

[45] Date of Patent: ** Dec. 1, 1987

[54] PAN HEAD ASSEMBLY

[75] Inventor: Koma Nakatani, Tokyo, Japan

[73] Assignee: Velbon International Corp.,
Torrance, Calif.

[**] Term: 14 Years

[21] Appl. No.: 643,833

[22] Filed: Aug. 23, 1984

[52] U.S. Cl. D16/46

[58] Field of Search D16/44, 45, 46, 47;
248/178-180, 183-185, 278, 284; 354/293, 294

[56] **References Cited**

U.S. PATENT DOCUMENTS

D. 246,528	11/1977	Miller	D16/46
2,556,598	6/1951	Rasine	248/179
2,563,389	8/1951	Blum	248/180
2,882,001	4/1959	Ries	248/183
3,163,387	12/1964	Thomas	248/183

3,712,571	1/1973	Miller	248/183
3,870,265	3/1975	Osborne	248/183
4,562,985	1/1986	Nakatani	248/183

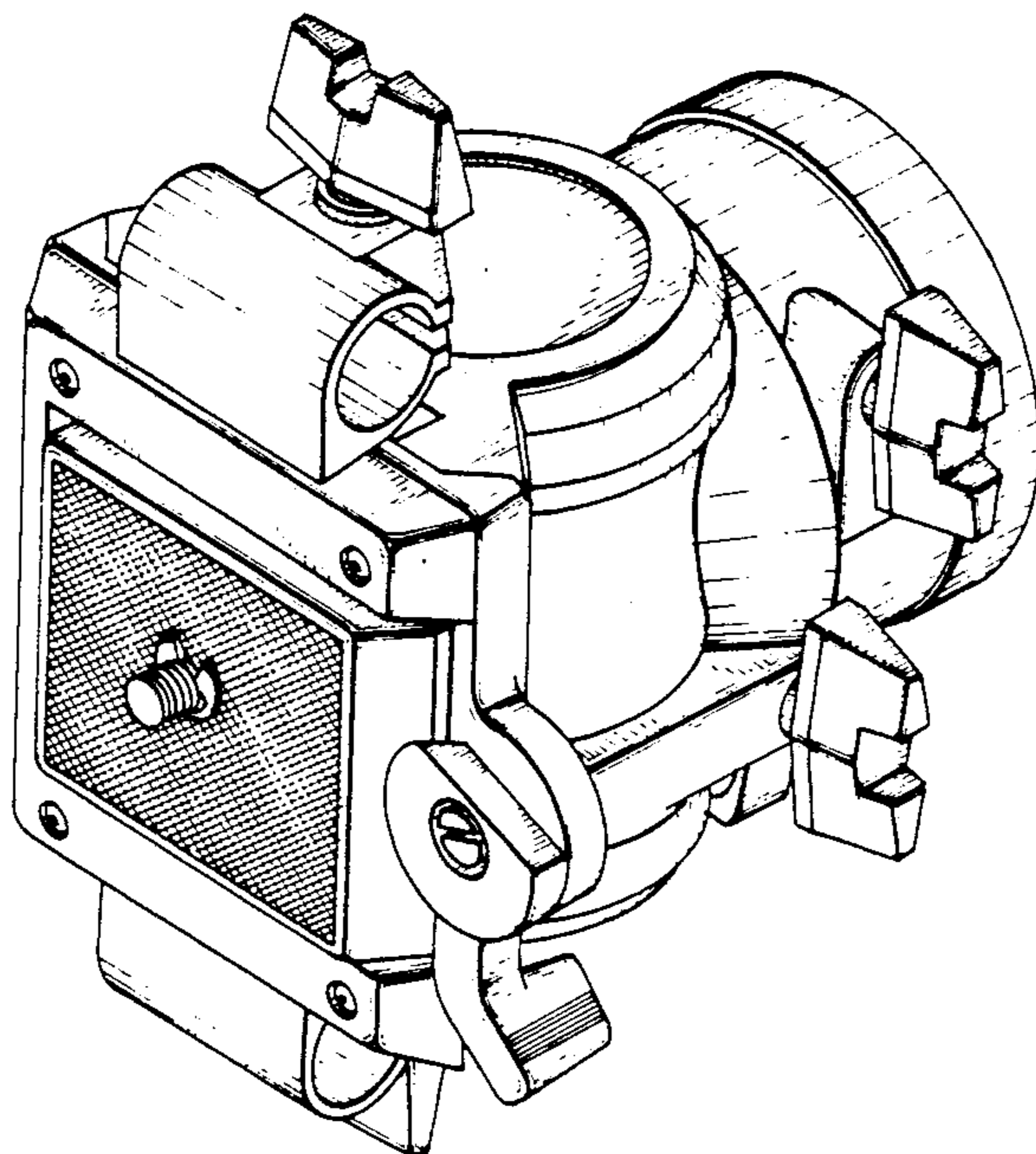
Primary Examiner—Nelson C. Holtje
Attorney, Agent, or Firm—Beehler, Pavitt, Siegemund,
Jagger, Martella & Dawes

[57] **CLAIM**

The design for a pan head assembly, substantially as shown and described.

DESCRIPTION

FIG. 1 is a front and top-right perspective view of a pan head assembly showing my new design;
FIG. 2 is a rear and top-left perspective view thereof;
FIG. 3 is a bottom plan view thereof;
FIG. 4 is a right side elevational view thereof;
FIG. 5 is a front and top-right perspective view thereof, the broken-line showings of handles are for illustrative purposes only and form no part of the claimed design;
FIG. 6 is a front elevational view thereof;
FIG. 7 is a rear elevational view thereof.



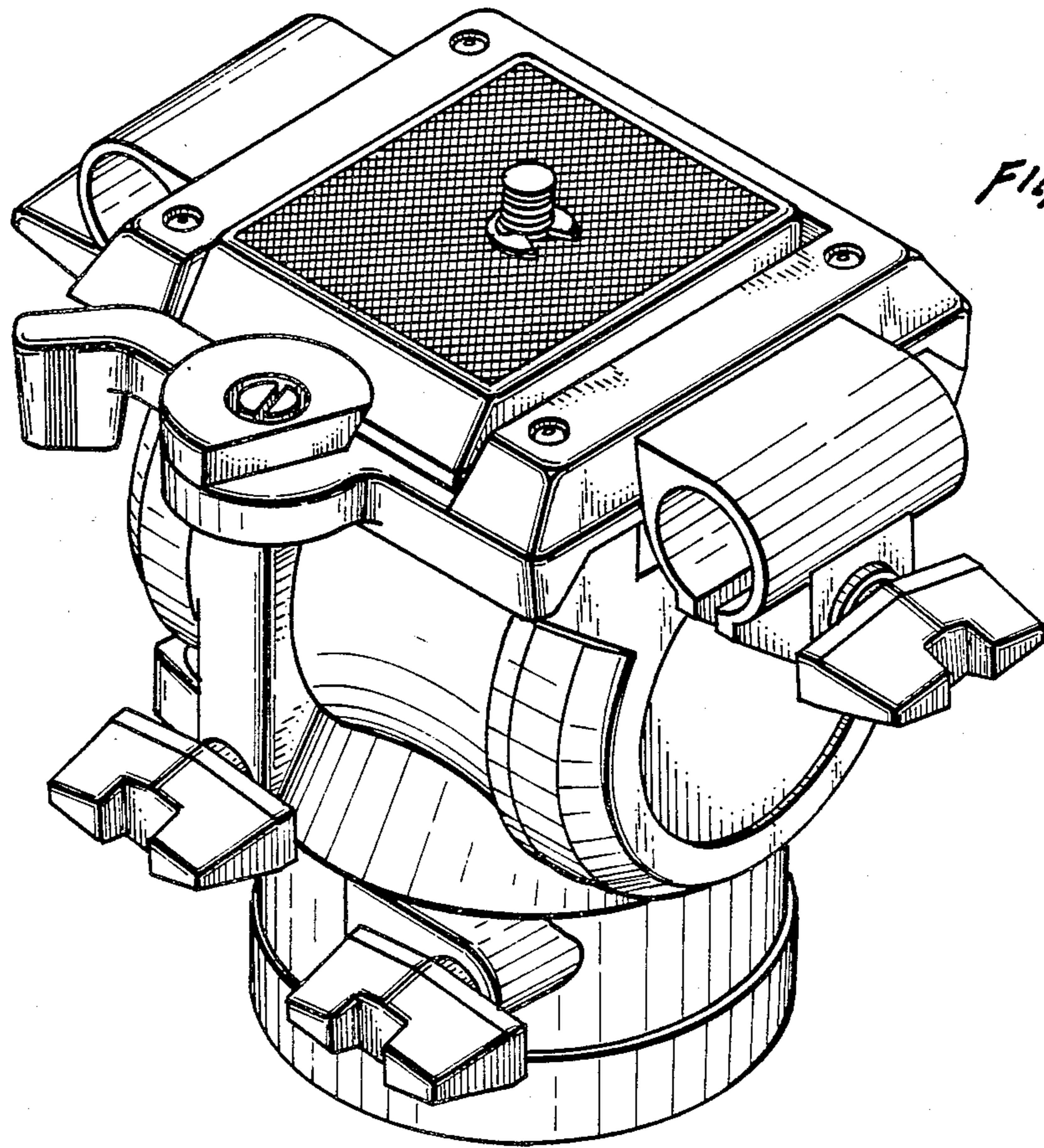


Fig. 1

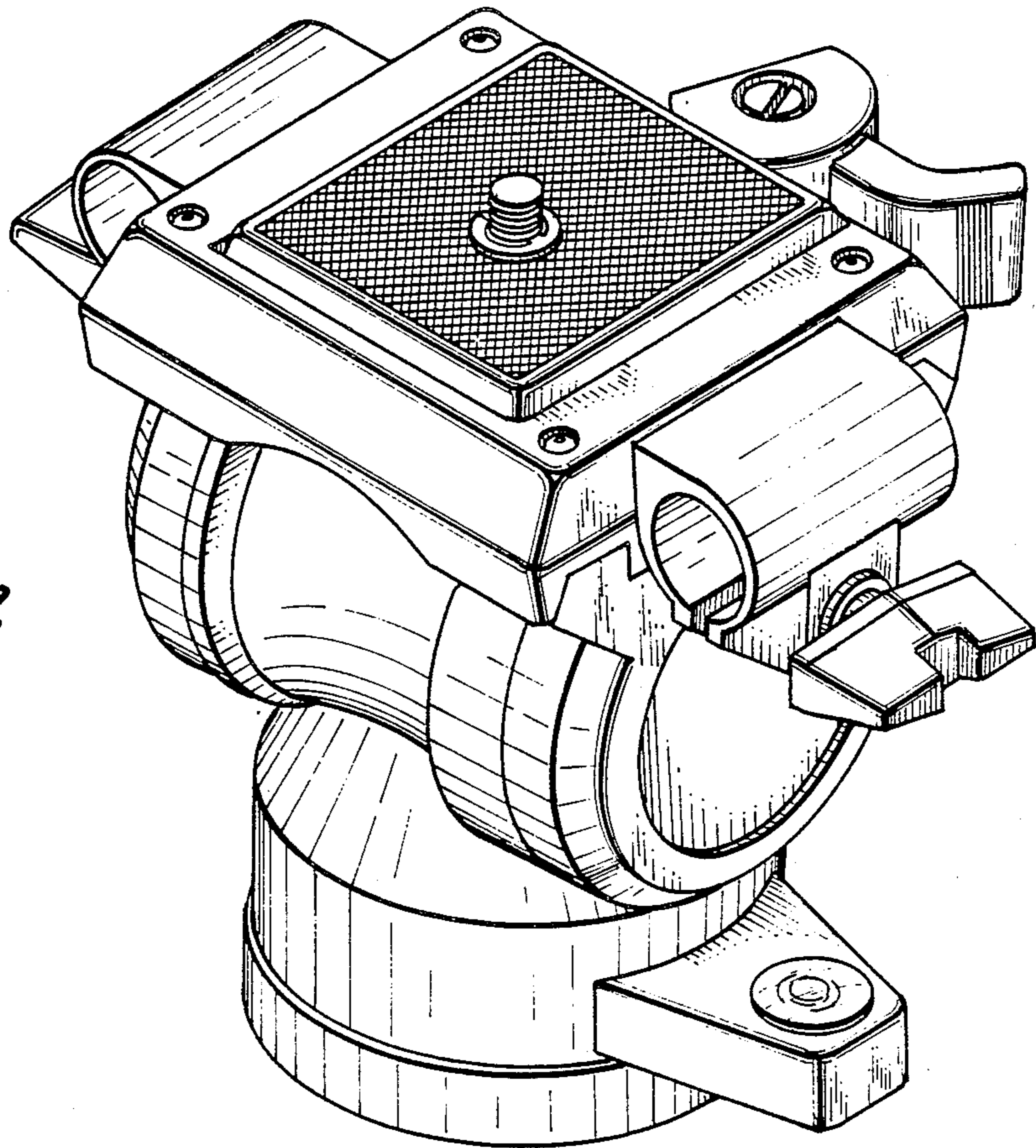


Fig. 2

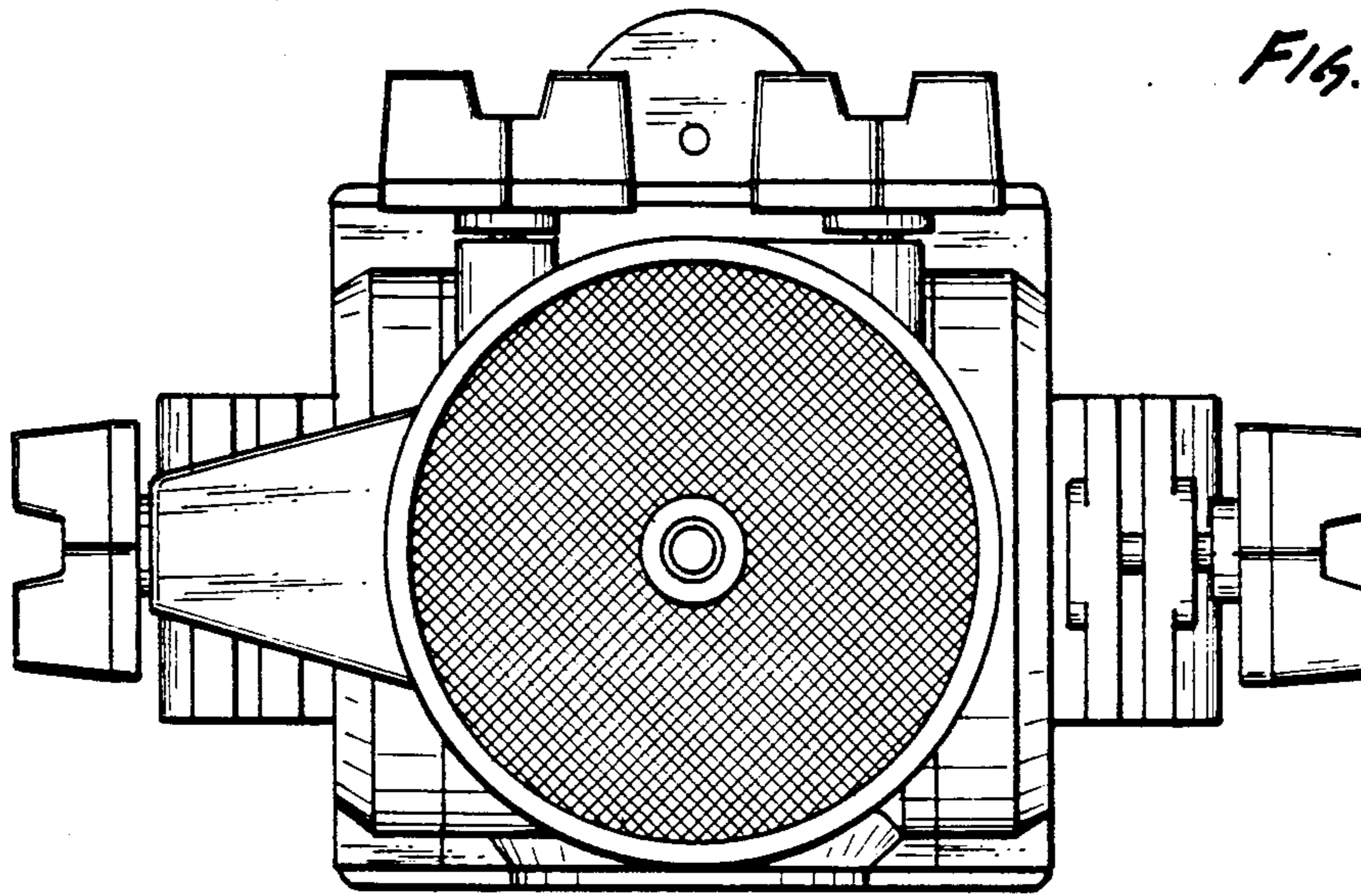


Fig. 3

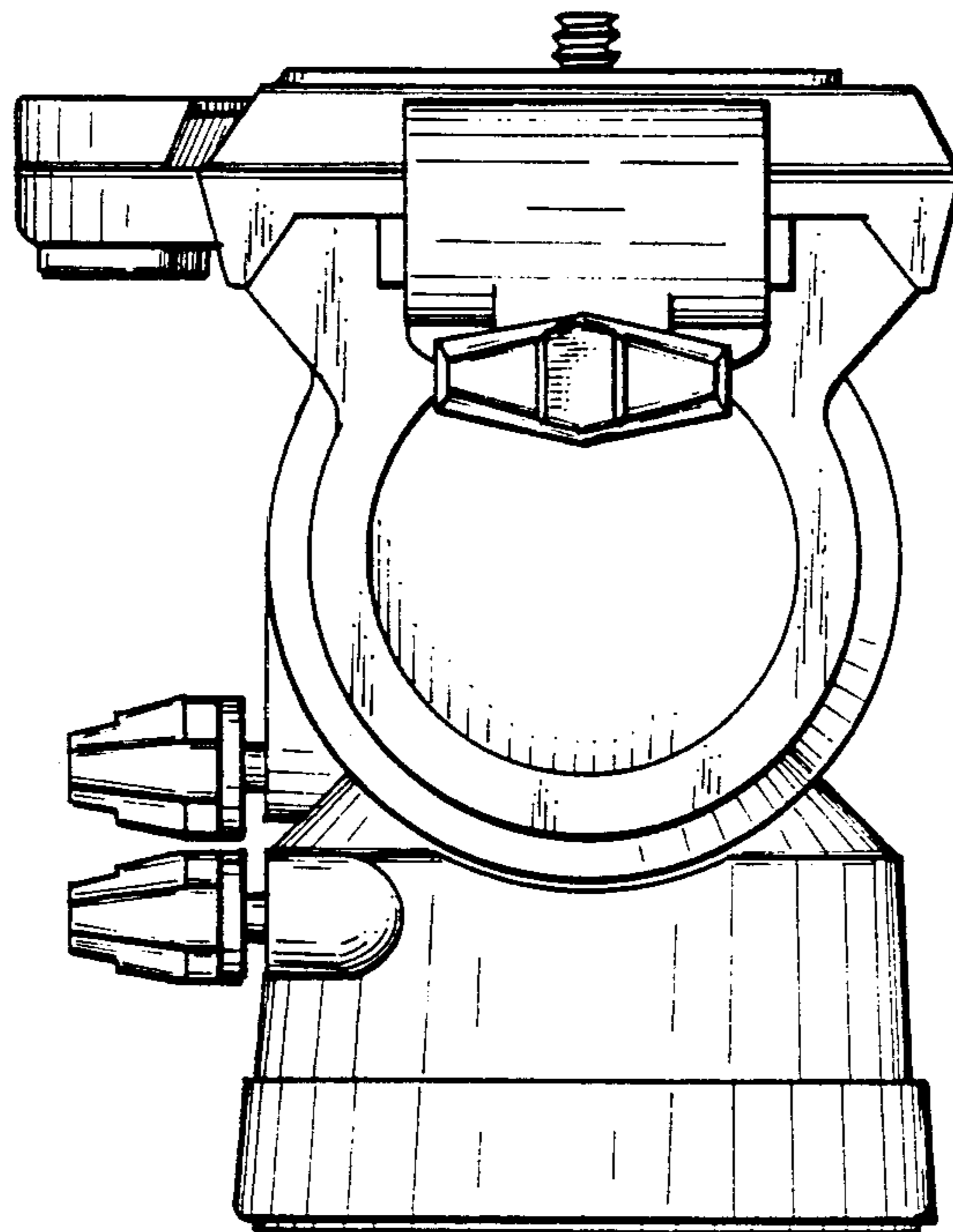


Fig. 4

