

# United States Patent [19]

Skoog et al.

[11] Patent Number: **Des. 292,981**

[45] Date of Patent: **\*\* Dec. 1, 1987**

[54] **ROBOT**

[75] Inventors: **Hans-Olov Skoog; Ulf J. Holmqvist; Leif K. Telldén**, all of Västerås, Fed. Rep. of Germany

[73] Assignee: **ASEA AB, Västerås, Sweden**

[\*\*] Term: **14 Years**

[21] Appl. No.: **670,966**

[22] Filed: **Nov. 13, 1984**

[30] **Foreign Application Priority Data**

May 18, 1984 [SE] Sweden ..... 84-1560

[52] U.S. Cl. .... **D15/199; D15/122**

[58] Field of Search ..... **D15/122, 199; 901/42, 901/14, 16; 414/728, 749, 729, 732, 738**

[56] **References Cited**

## U.S. PATENT DOCUMENTS

D. 268,587 4/1983 Kono et al. .... D15/199

D. 279,572 7/1985 Yasuoka et al. .... D15/122

3,884,365 5/1975 Thomson ..... 414/728

4,061,062 12/1977 Peltier ..... 414/728

4,229,642 10/1980 Sakurai et al. .... 901/42

4,255,643 3/1981 Balfanz ..... 901/42

*Primary Examiner*—B. J. Bullock

*Attorney, Agent, or Firm*—Young & Thompson

[57] **CLAIM**

The ornamental design for a robot, as shown and described.

## DESCRIPTION

FIG. 1 is a top, front and right side perspective view of a robot showing our new design;

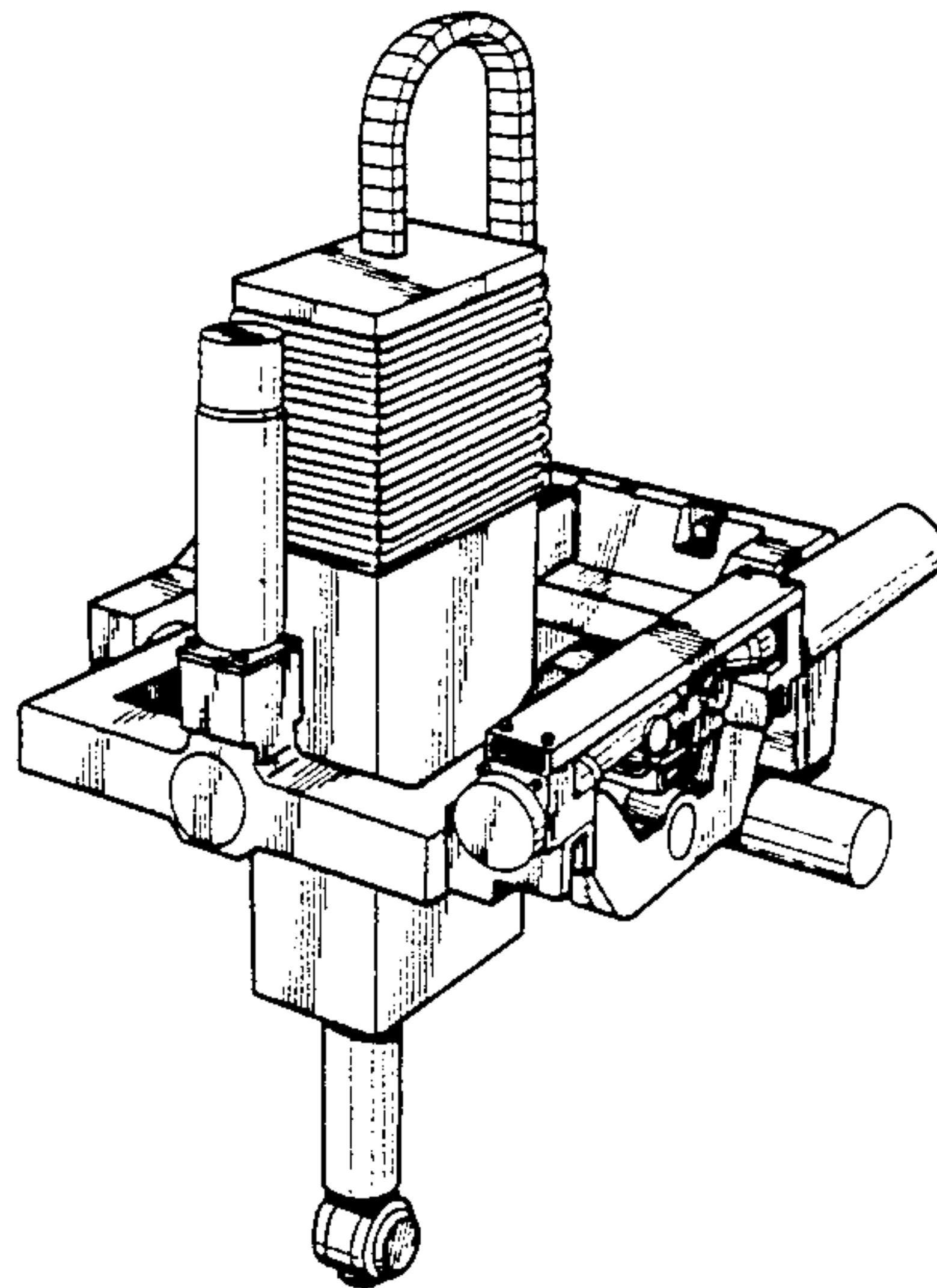
FIG. 2 is a top, front and left side perspective view thereof;

FIG. 3 is a bottom, front and right side perspective view thereof;

FIG. 4 is a bottom, rear and left side perspective view thereof;

FIG. 5 is a top plan view thereof; and

FIG. 6 is a bottom plan view thereof.



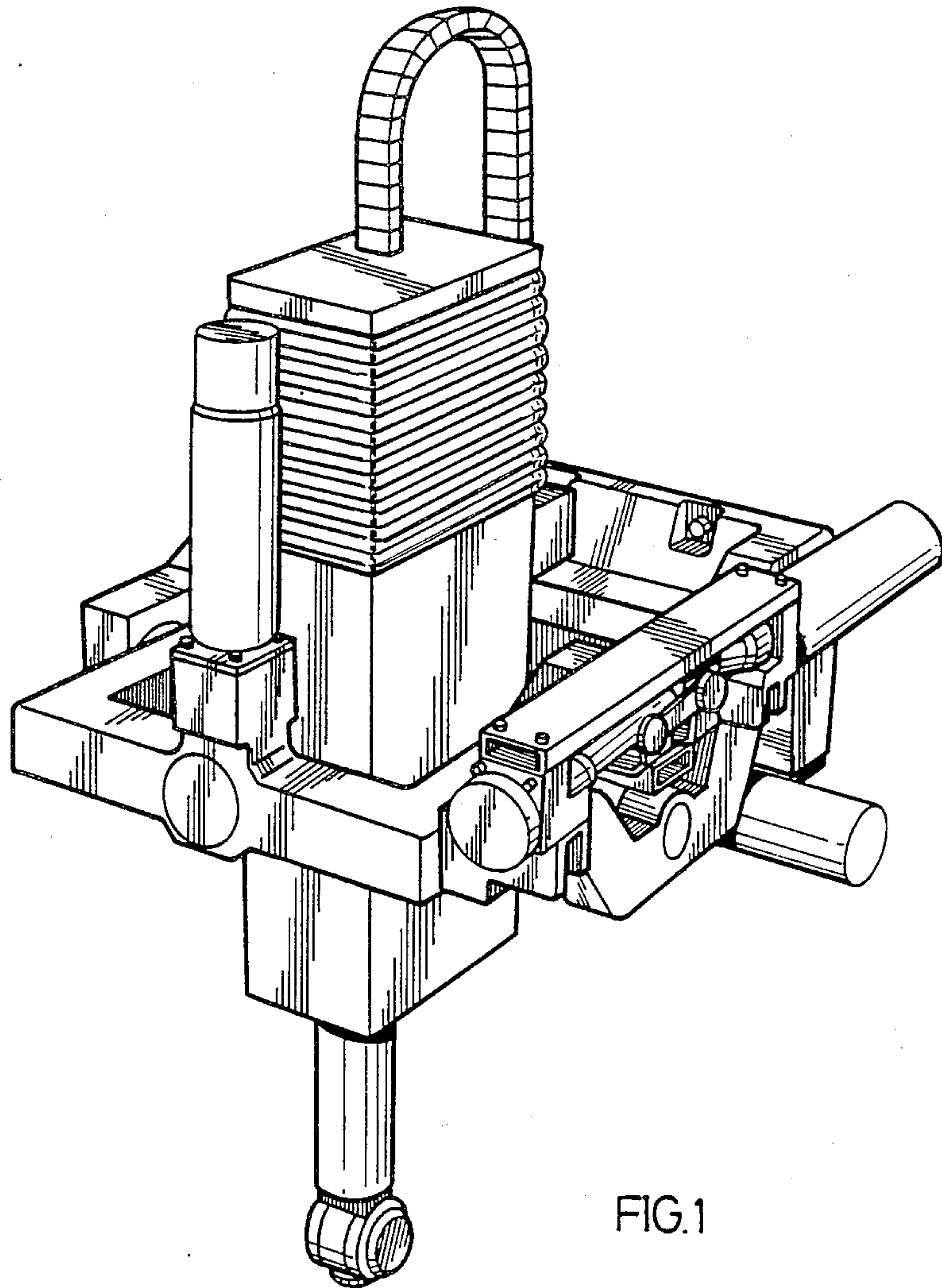


FIG.1

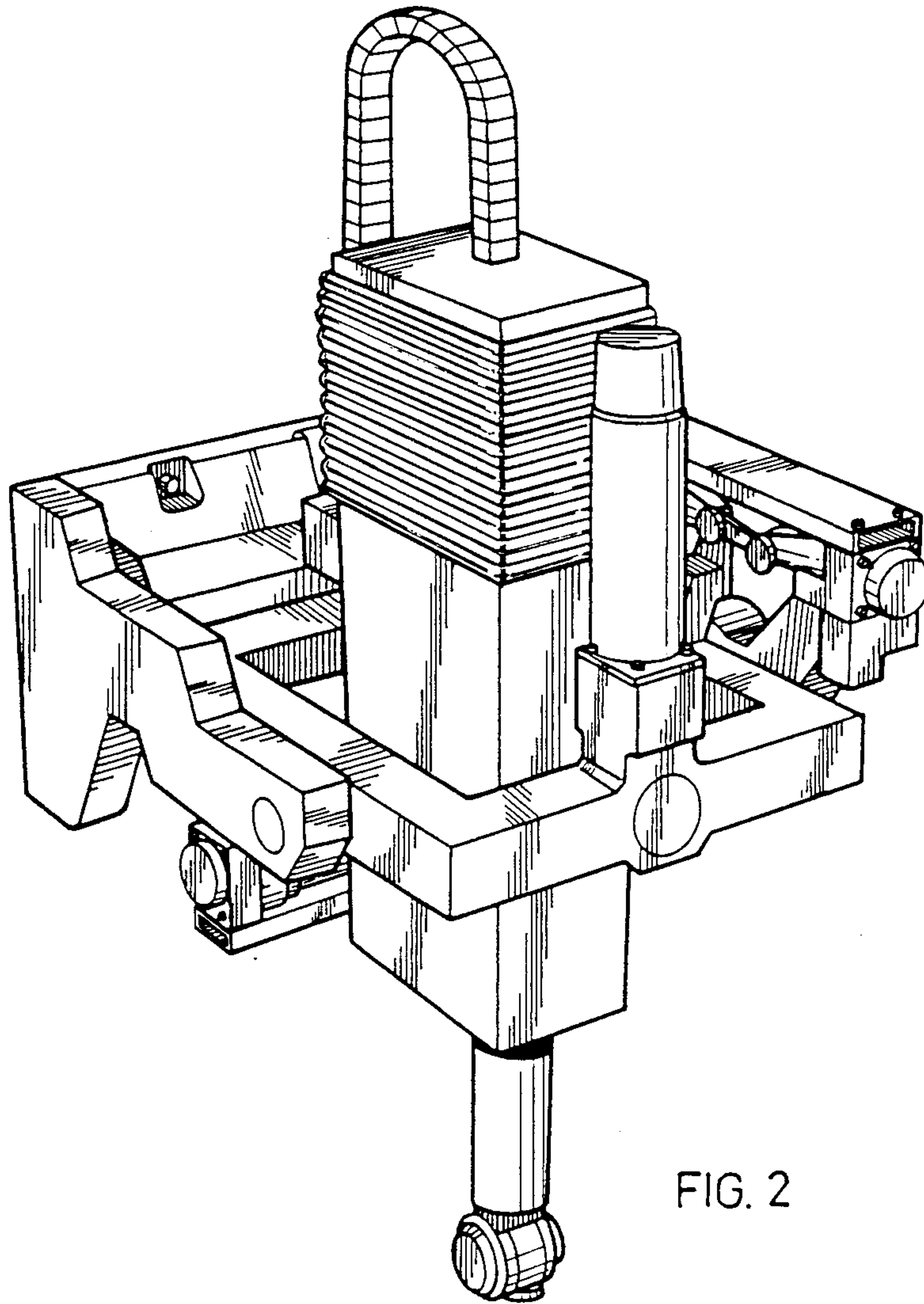


FIG. 2

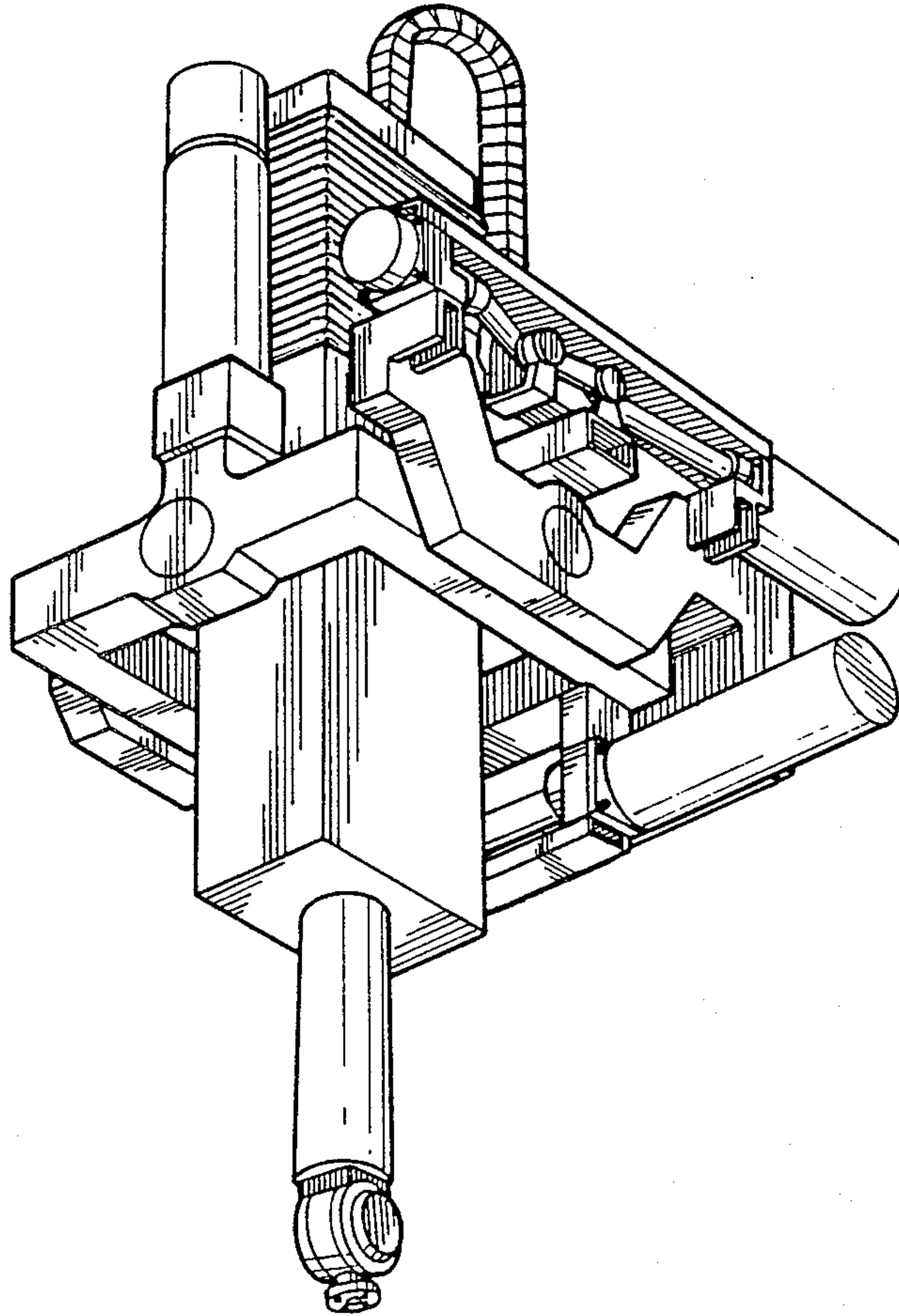


FIG. 3

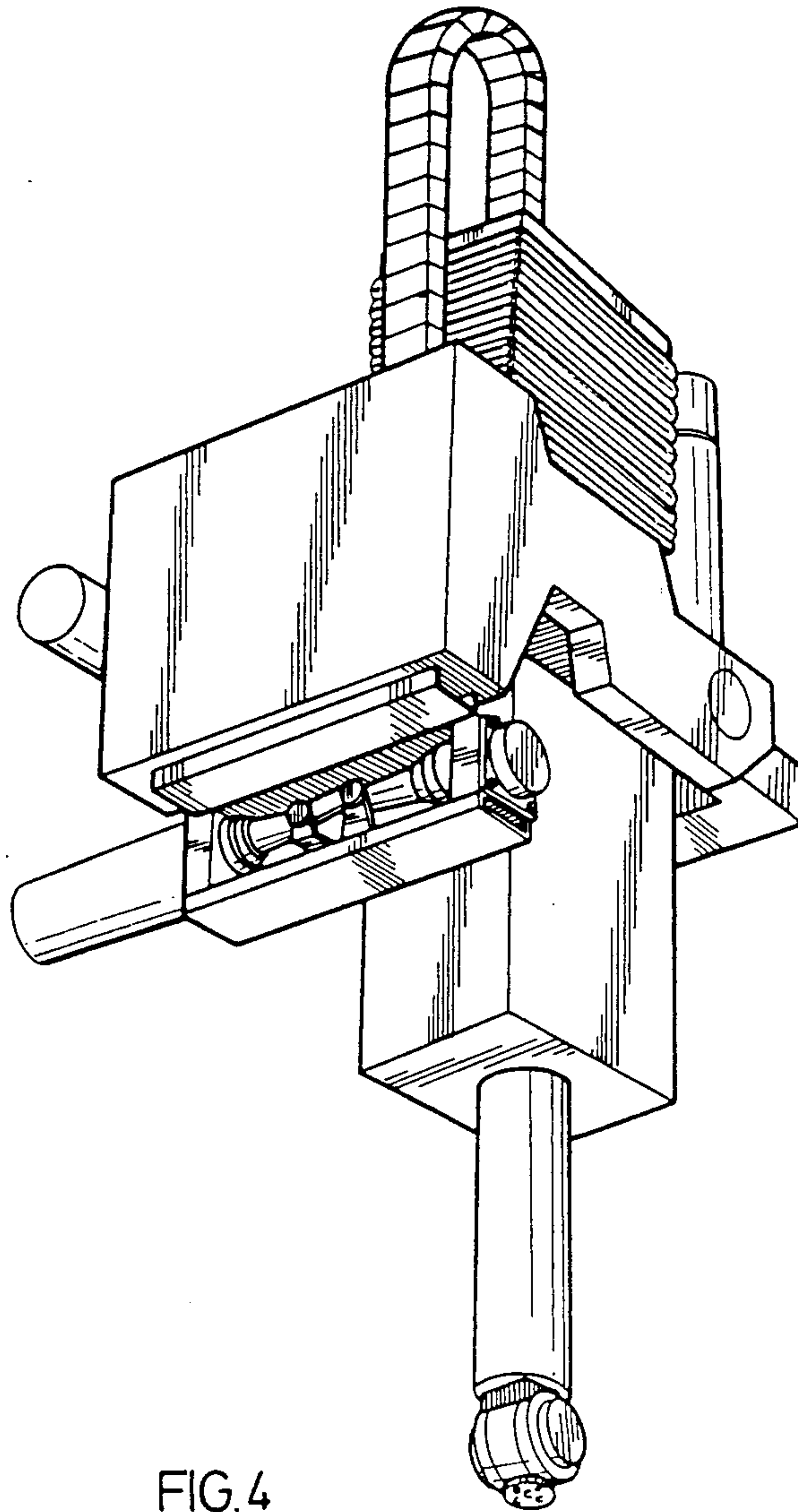


FIG. 4



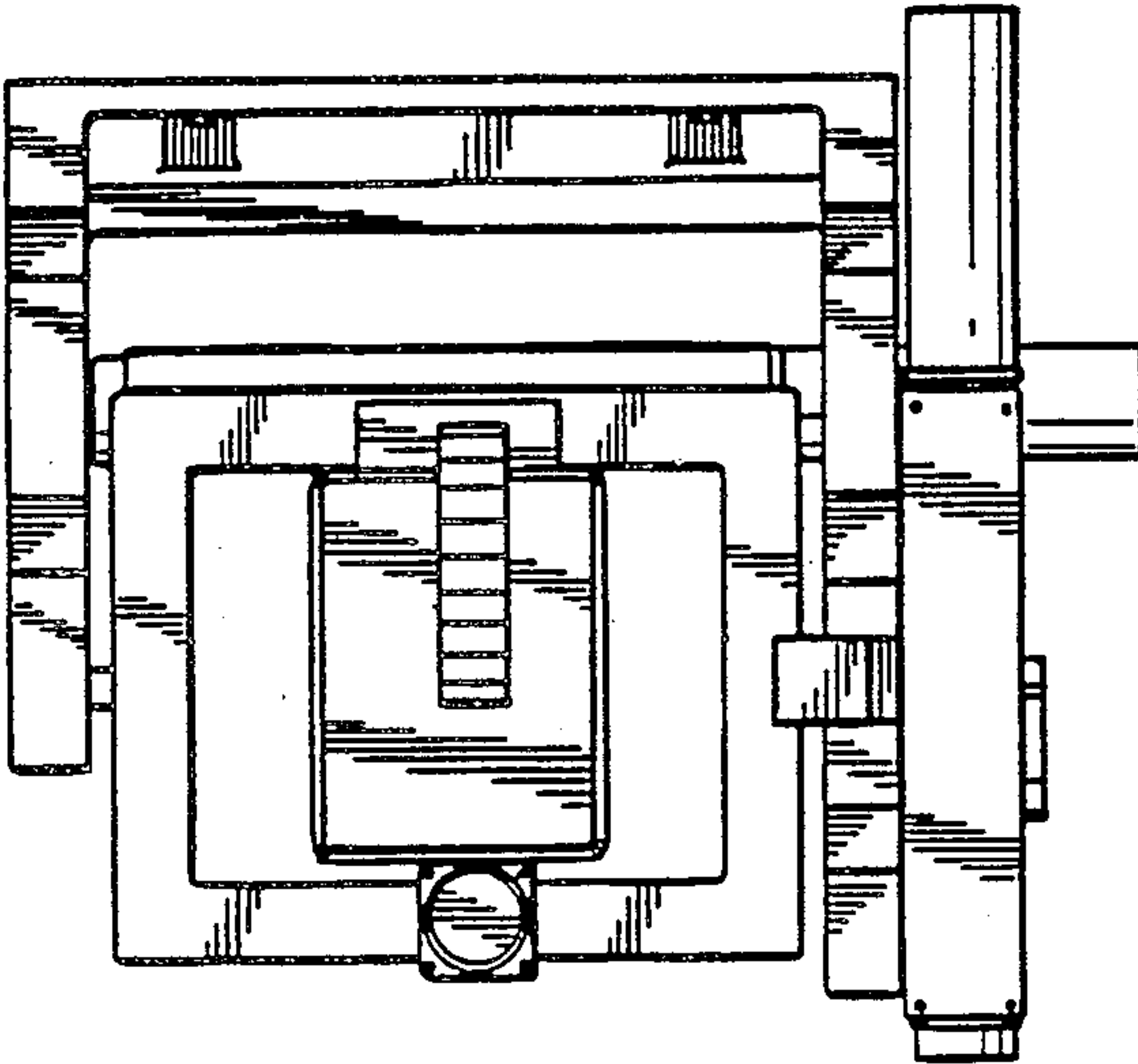


FIG. 5

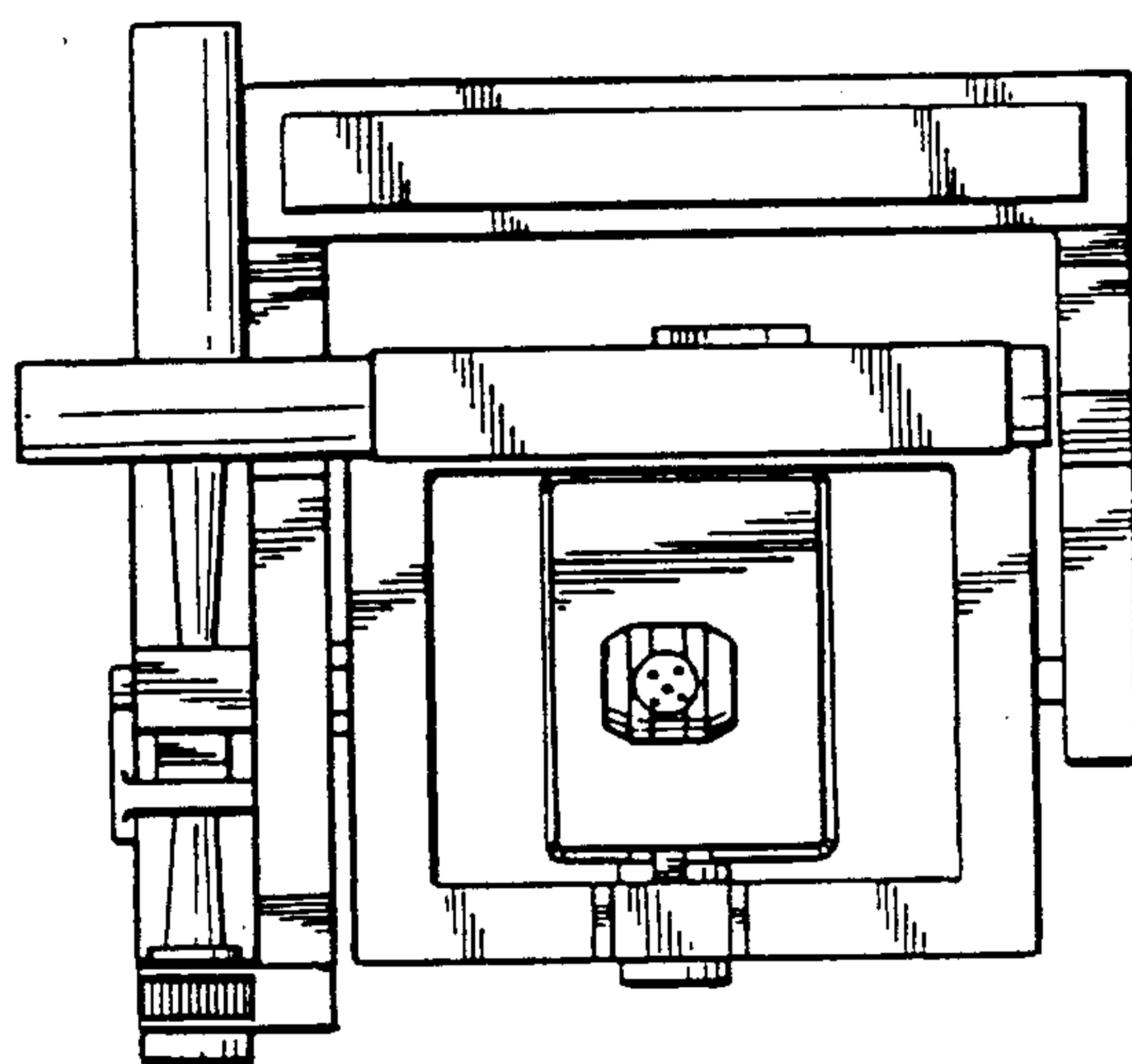


FIG. 6