

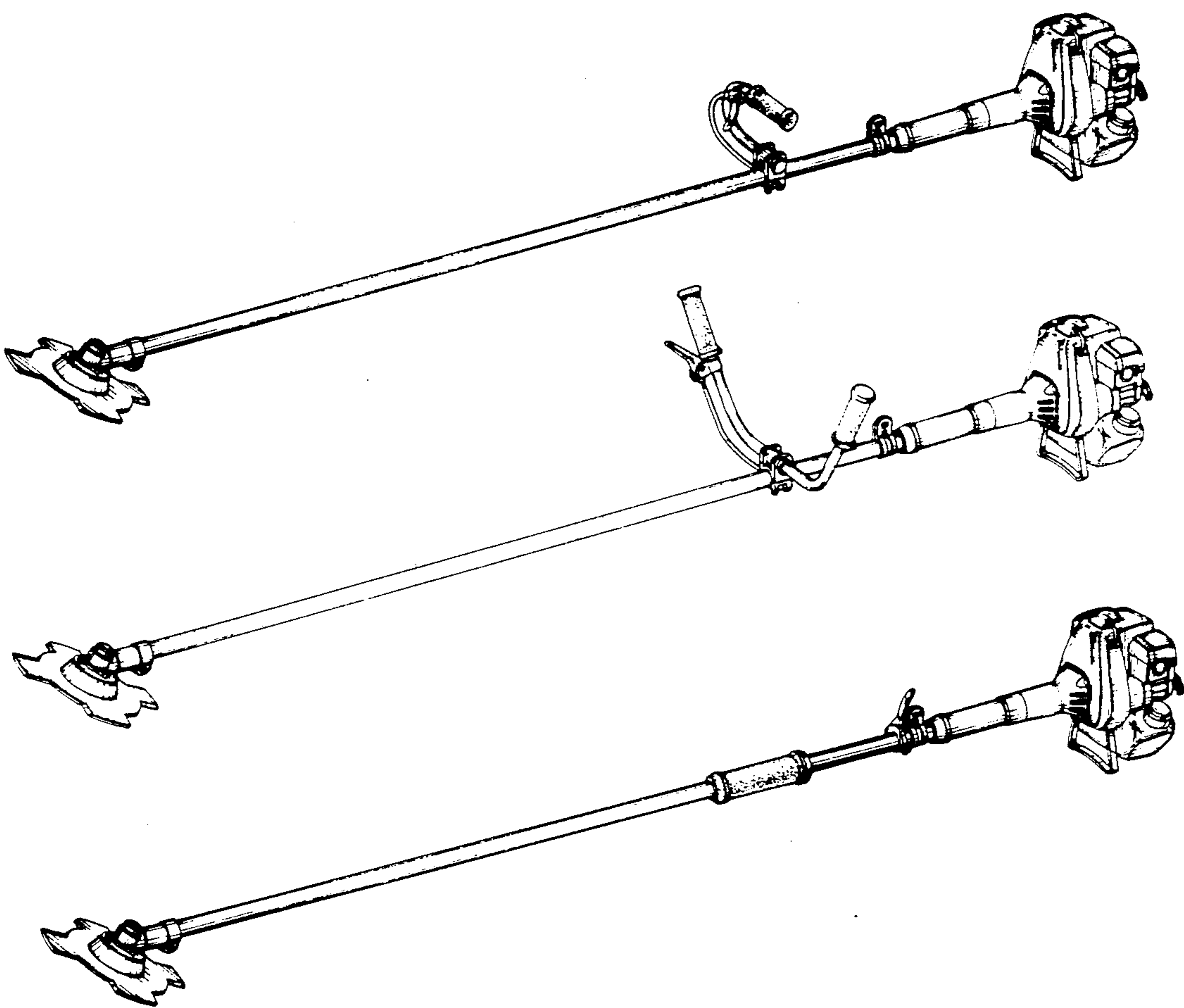
[54] **BUSH CUTTER**
 [75] **Inventors: Hiroshi Tomita; Hiroaki Hatano,**
 both of Numazu, Japan
 [73] **Assignee: Fuji Robin Kabushiki Kaisha,** Tokyo,
 Japan
 [**] **Term: 14 Years**
 [21] **Appl. No.: 710,182**
 [22] **Filed: Mar. 11, 1985**
 [52] **U.S. Cl. D15/16**
 [58] **Field of Search D15/10-11,**
 D15/16, 22, 26, 28-29; 56/167-168, 233,
 235-237, 239, 255, 295, 320.1, DIG. 7, DIG.
 20, 12.7; 30/276, 318, DIG. 5, 388-390,
 263-264; D8/64-67

[56] **References Cited**
U.S. PATENT DOCUMENTS
 3,581,832 6/1971 Heermann et al. 30/388
 4,188,719 2/1980 Hoff 30/276
 4,236,310 12/1980 Muller 30/276
 4,501,332 2/1985 Straayer 30/276
FOREIGN PATENT DOCUMENTS
 2828425 10/1980 Fed. Rep. of Germany 30/276
 8215249 3/1983 France 56/295

Primary Examiner—Wallace R. Burke
Assistant Examiner—Ruth Takemoto
Attorney, Agent, or Firm—Martin A. Farber

[57] **CLAIM**
 The ornamental design for a bush cutter, as shown and described.

DESCRIPTION
 FIG. 1 is a perspective view of a bush cutter showing our new design;
 FIG. 2 is a perspective view of a second embodiment thereof;
 FIG. 3 is a perspective view of a third embodiment thereof;
 FIG. 4 is an enlarged side elevational view of the motor housing;
 FIG. 5 is an enlarged side elevational view of the blade holder;
 FIG. 6 is an enlarged side elevational view of the opposite side of FIG. 4;
 FIG. 7 is an enlarged side elevational view of the opposite side of FIG. 5;
 FIG. 8 is an enlarged rear elevational view thereof;
 FIG. 9 is an enlarged front elevational view thereof, with the blade and handles omitted;
 FIG. 10 is an enlarged top plan view of the motor;
 FIG. 11 is an enlarged top plan view of the blade holder;
 FIG. 12 is an enlarged bottom plan view of the motor;
 FIG. 13 is an enlarged bottom plan view of the blade holder.
 FIGS. 4-13 are views of the motor and blade holder shown in FIGS. 1-3 and are enlarged and shown separately for clarity of illustration only.



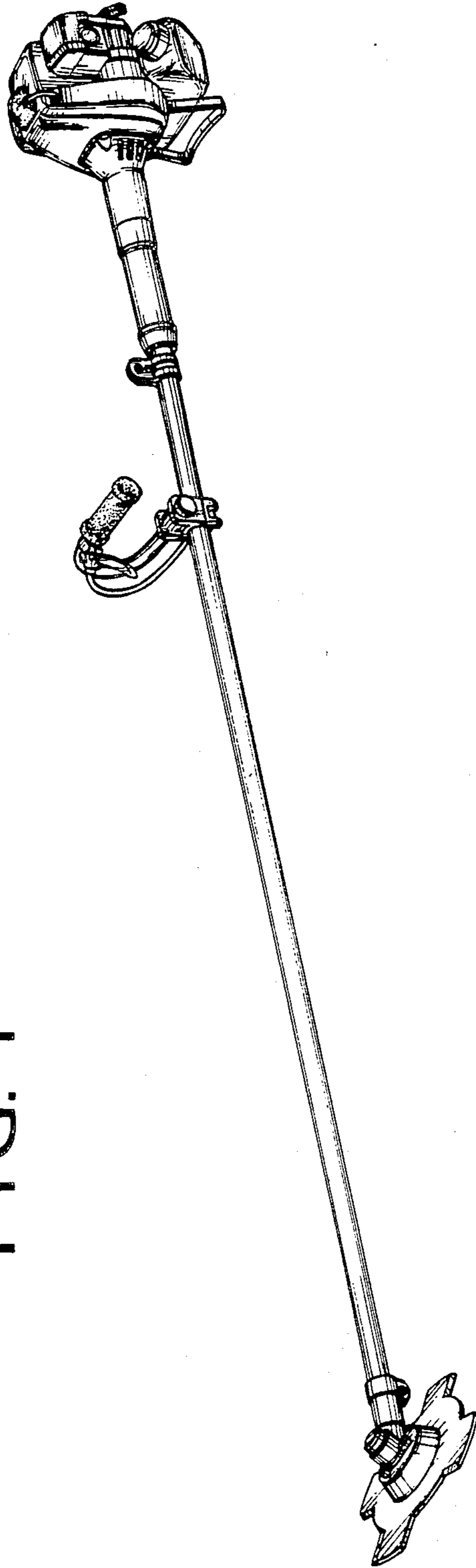


FIG. 1

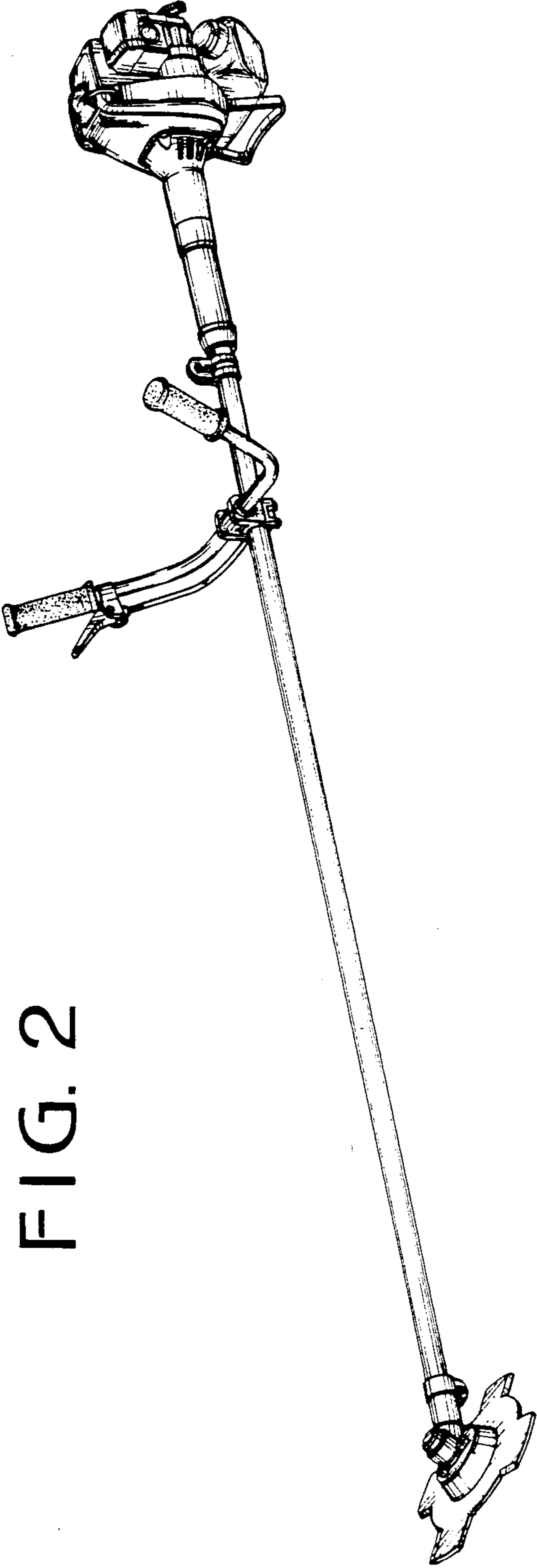


FIG. 2

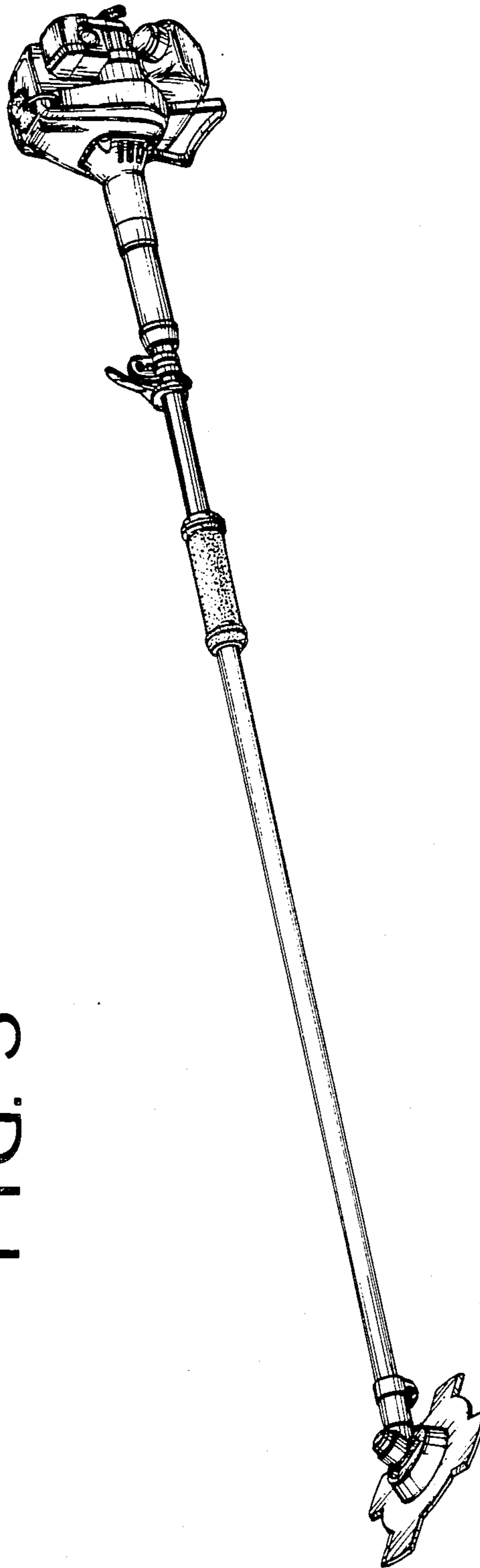


FIG. 3

FIG. 4

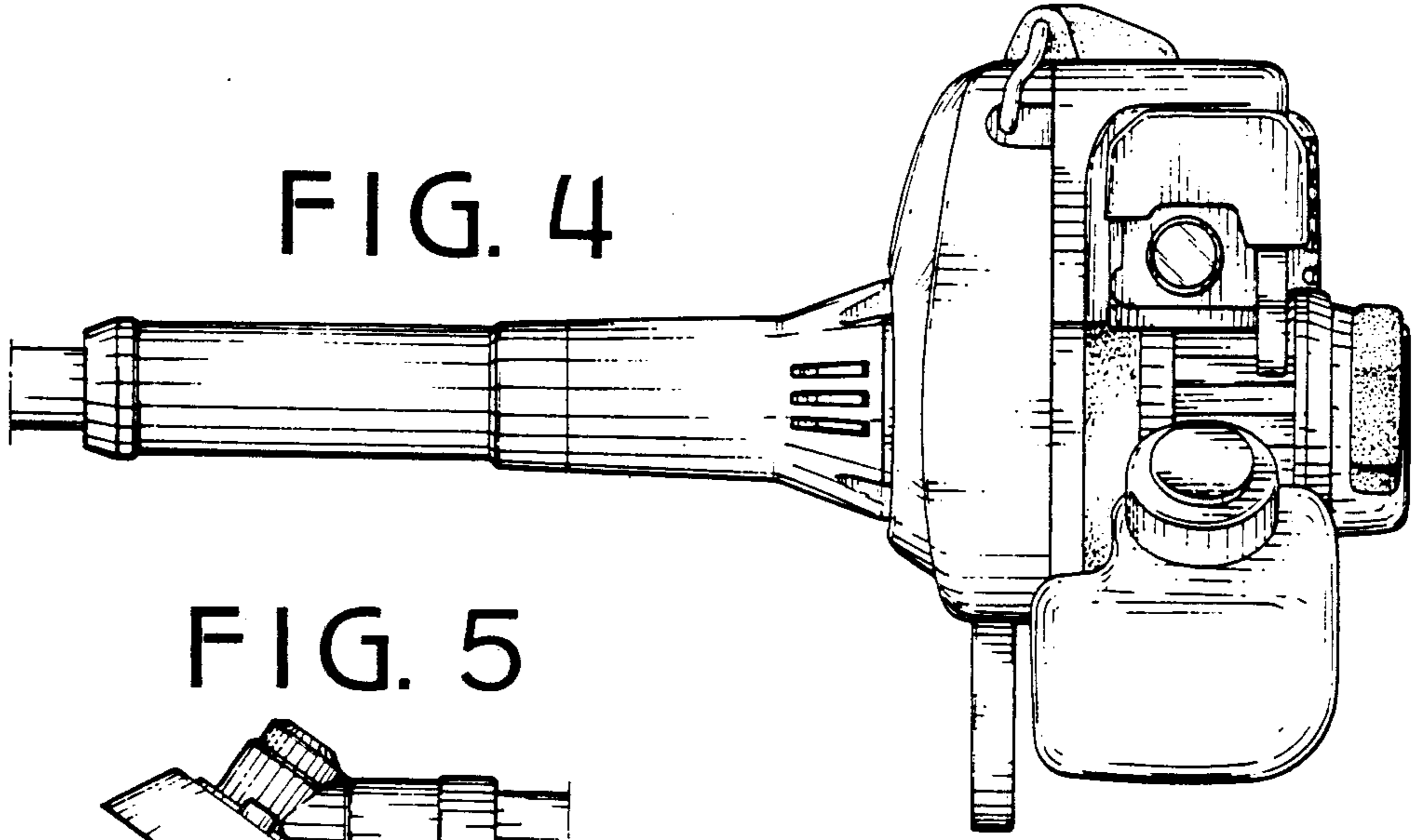


FIG. 5

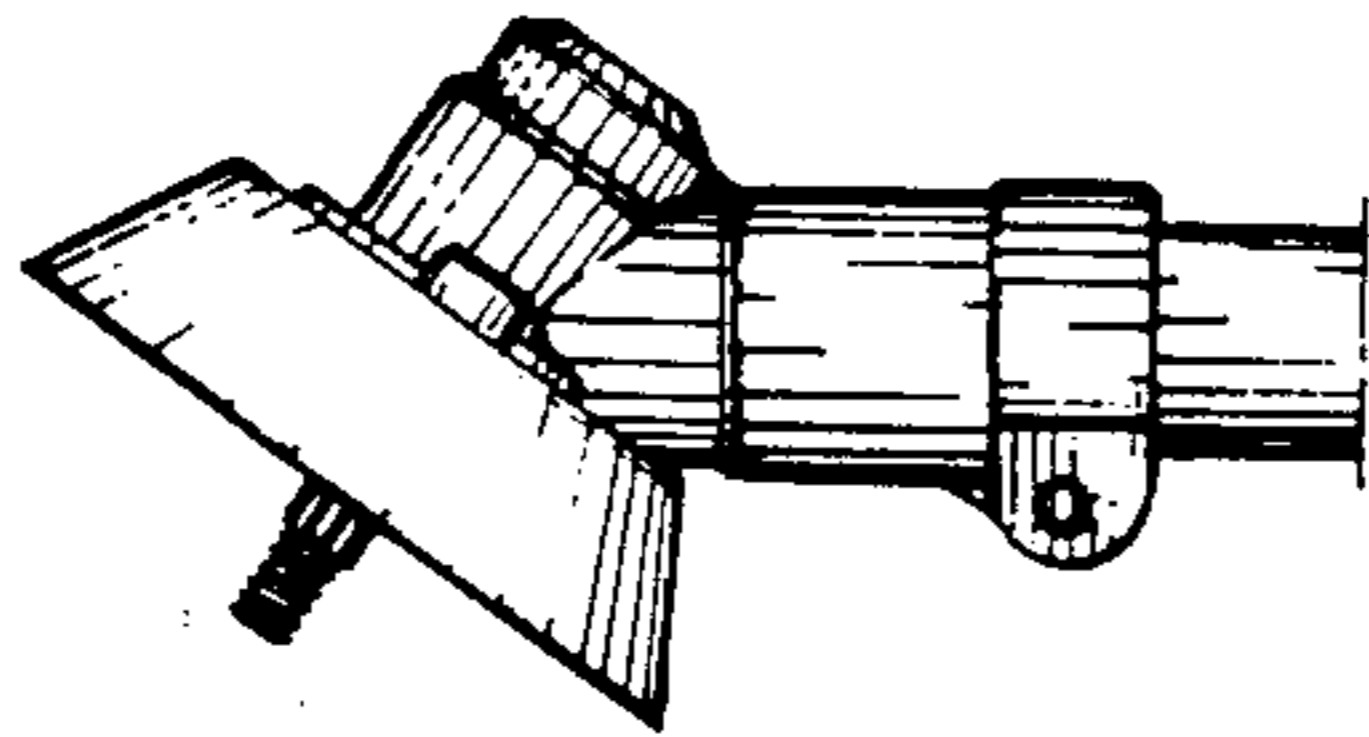


FIG. 6

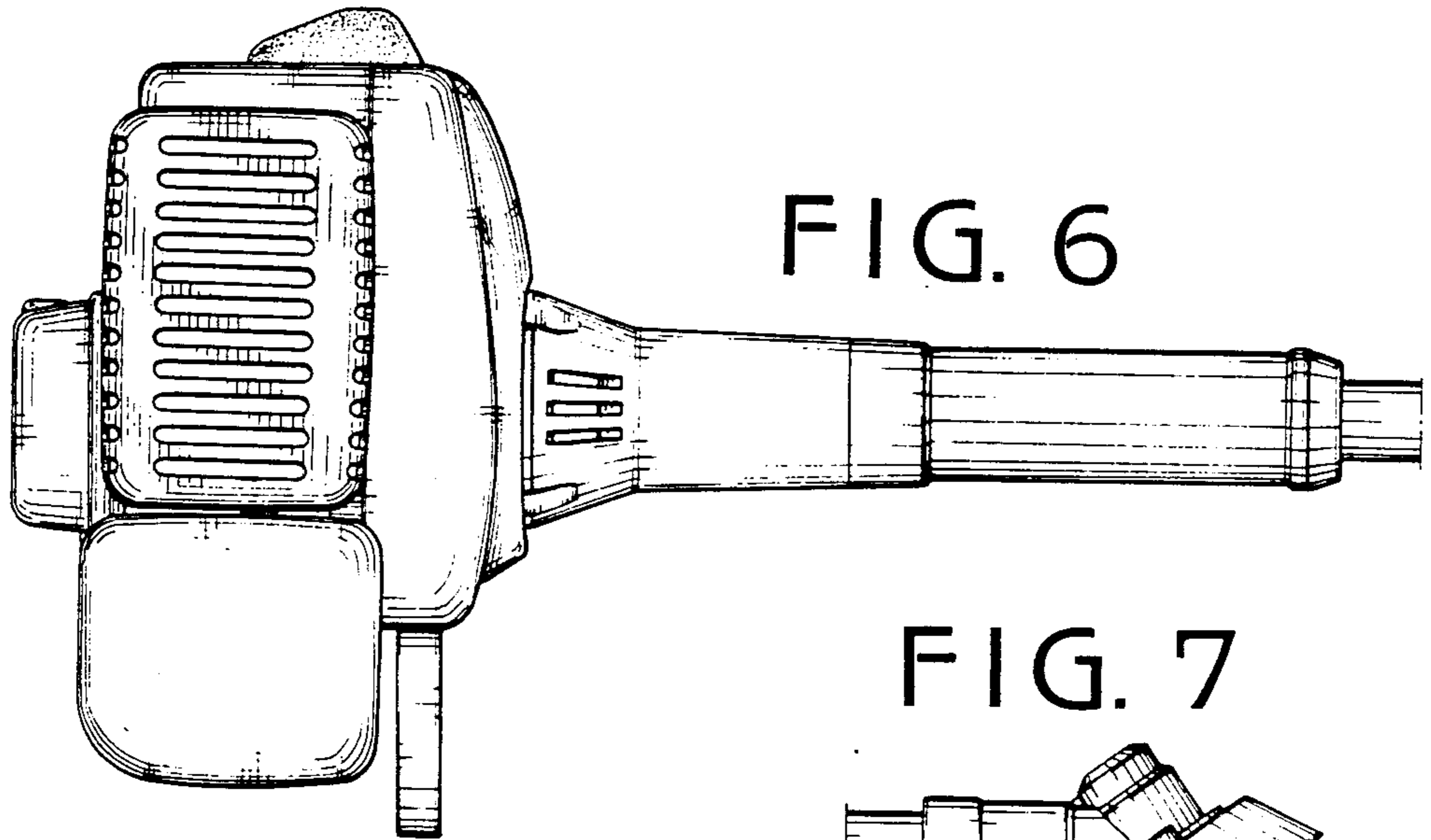


FIG. 7

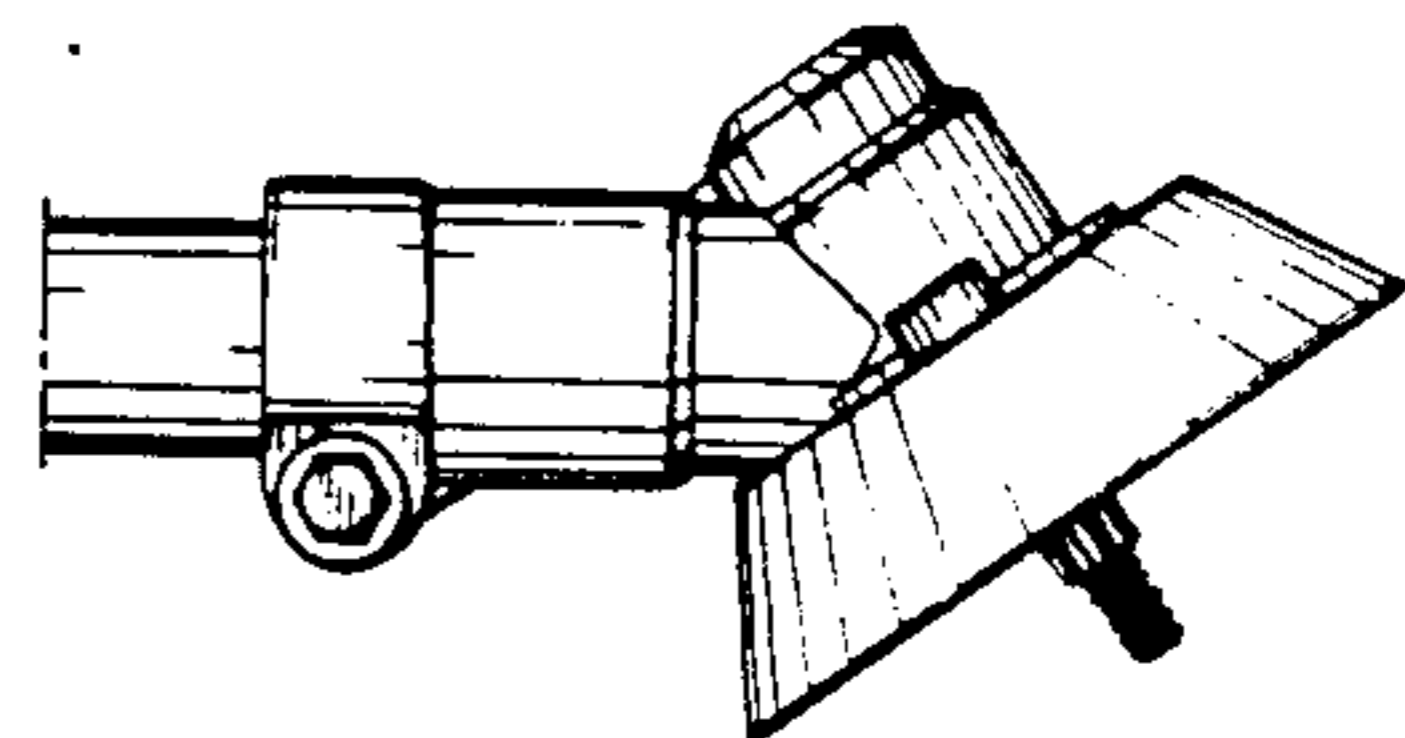


FIG. 8

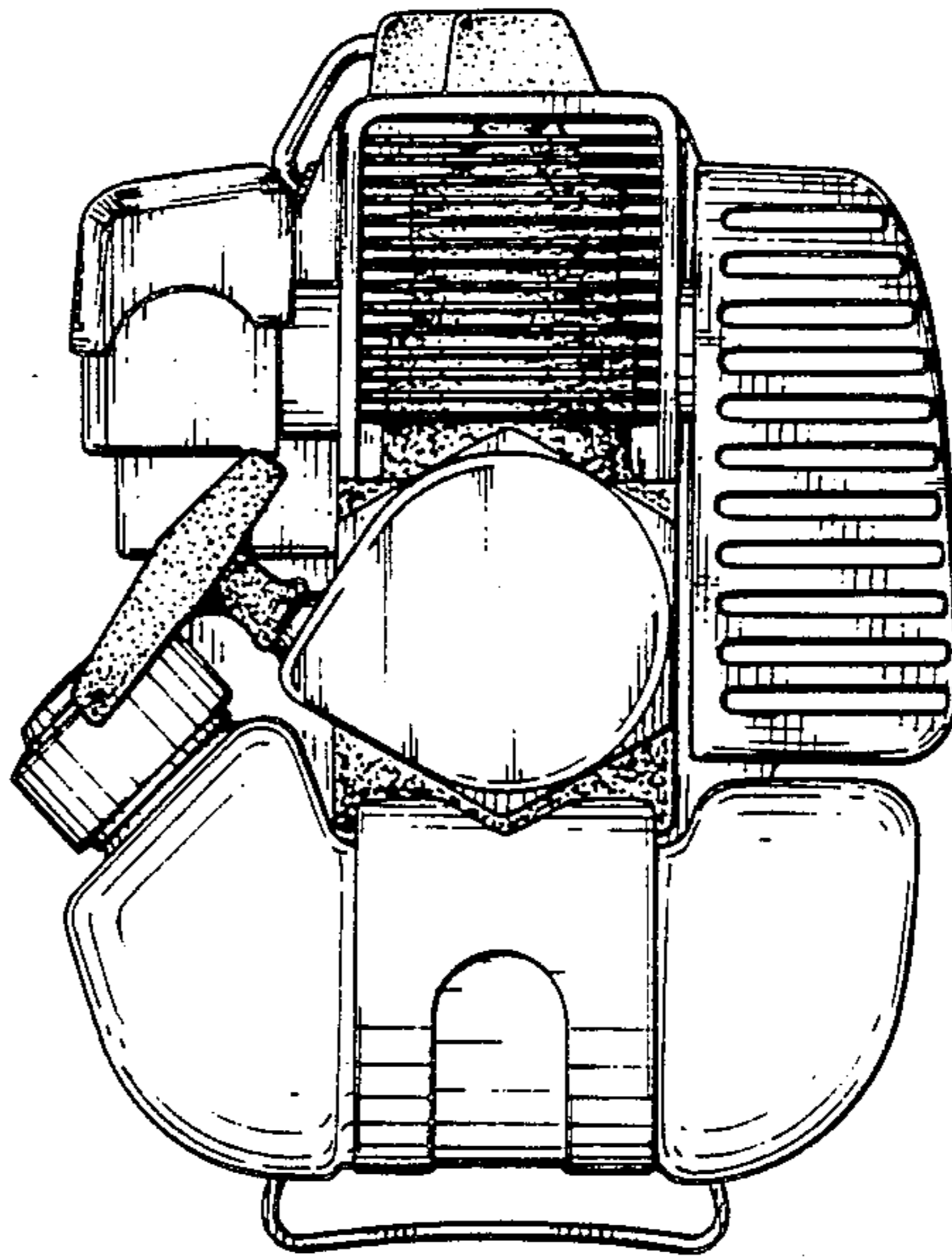


FIG. 9

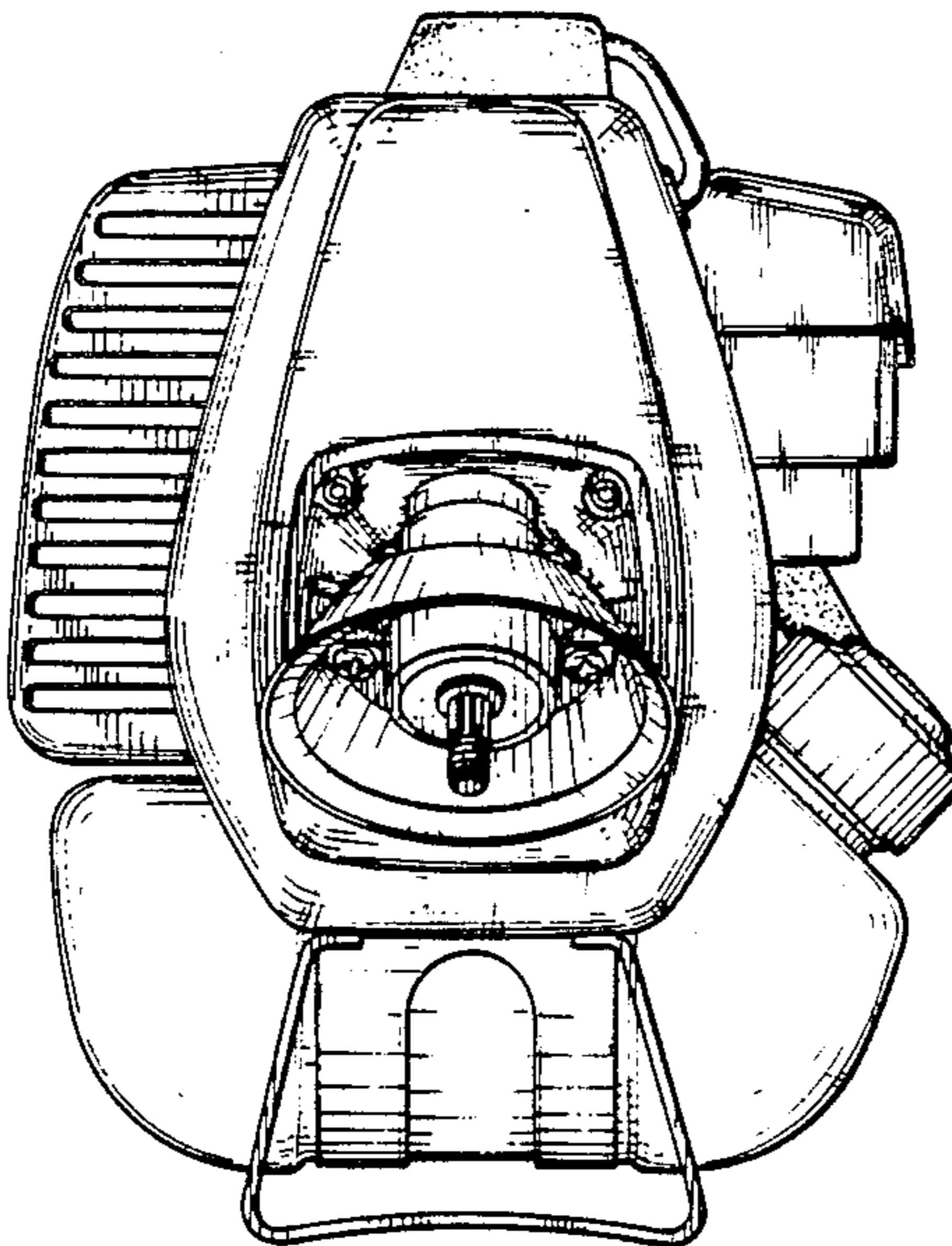


FIG. 10

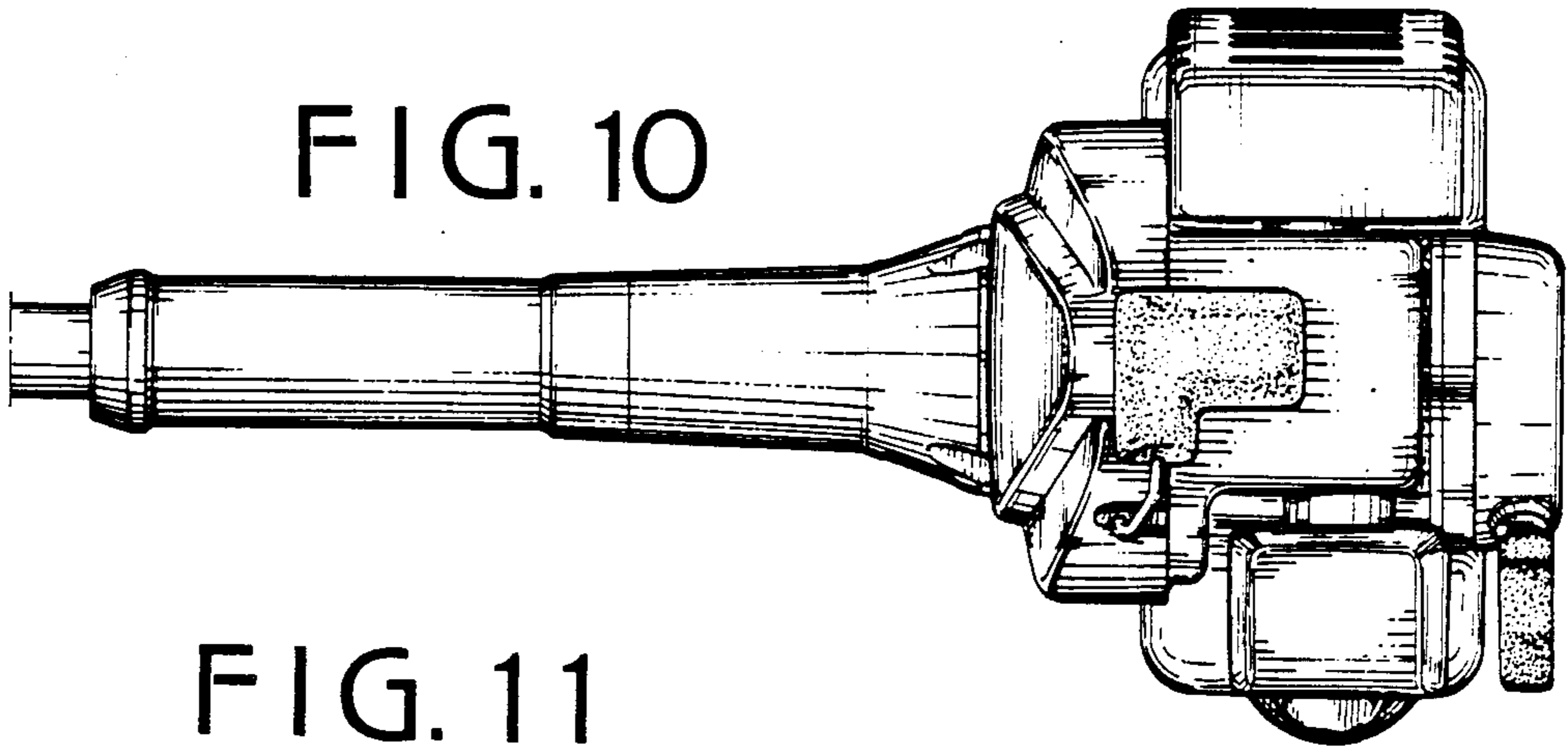


FIG. 11

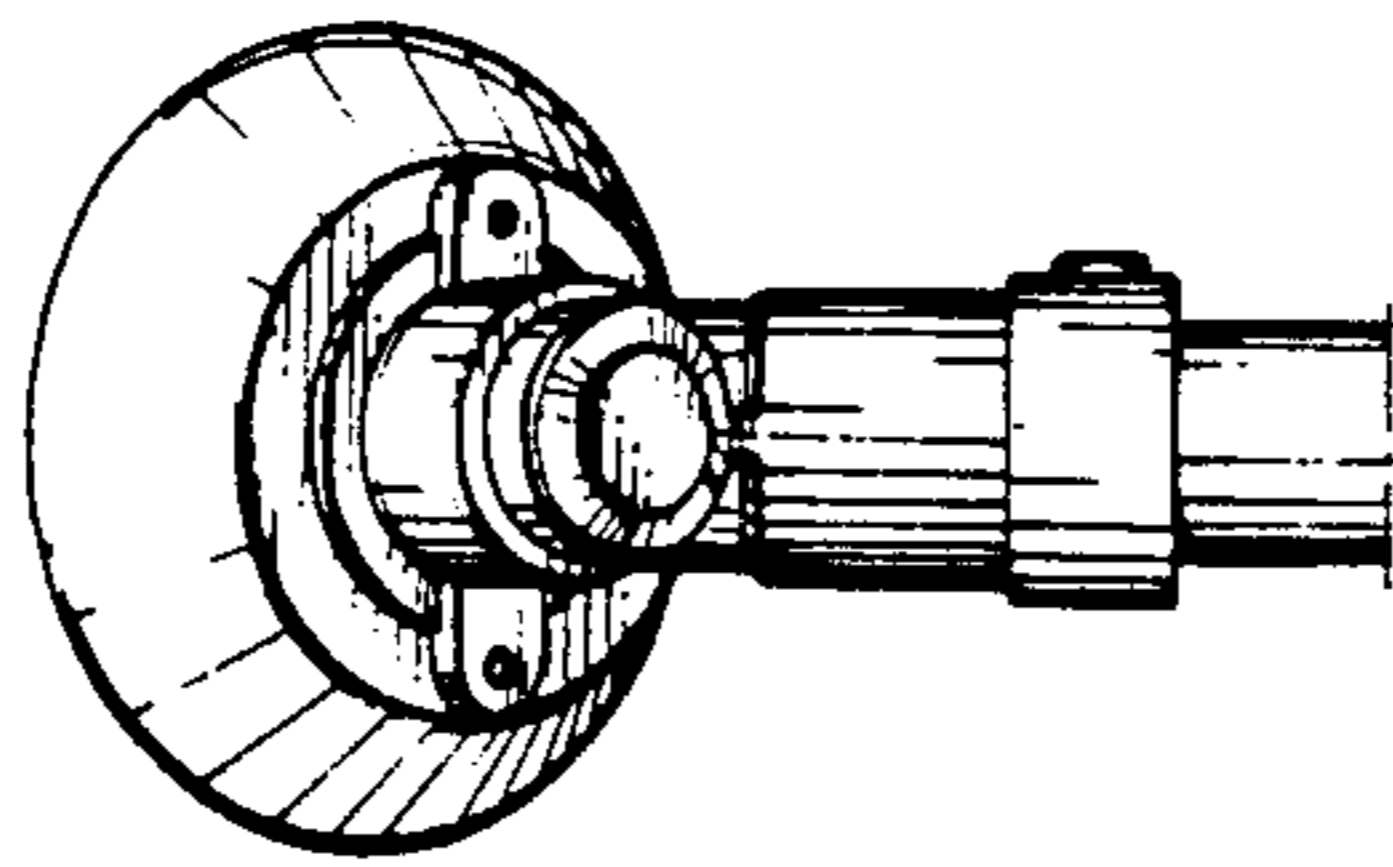


FIG. 12

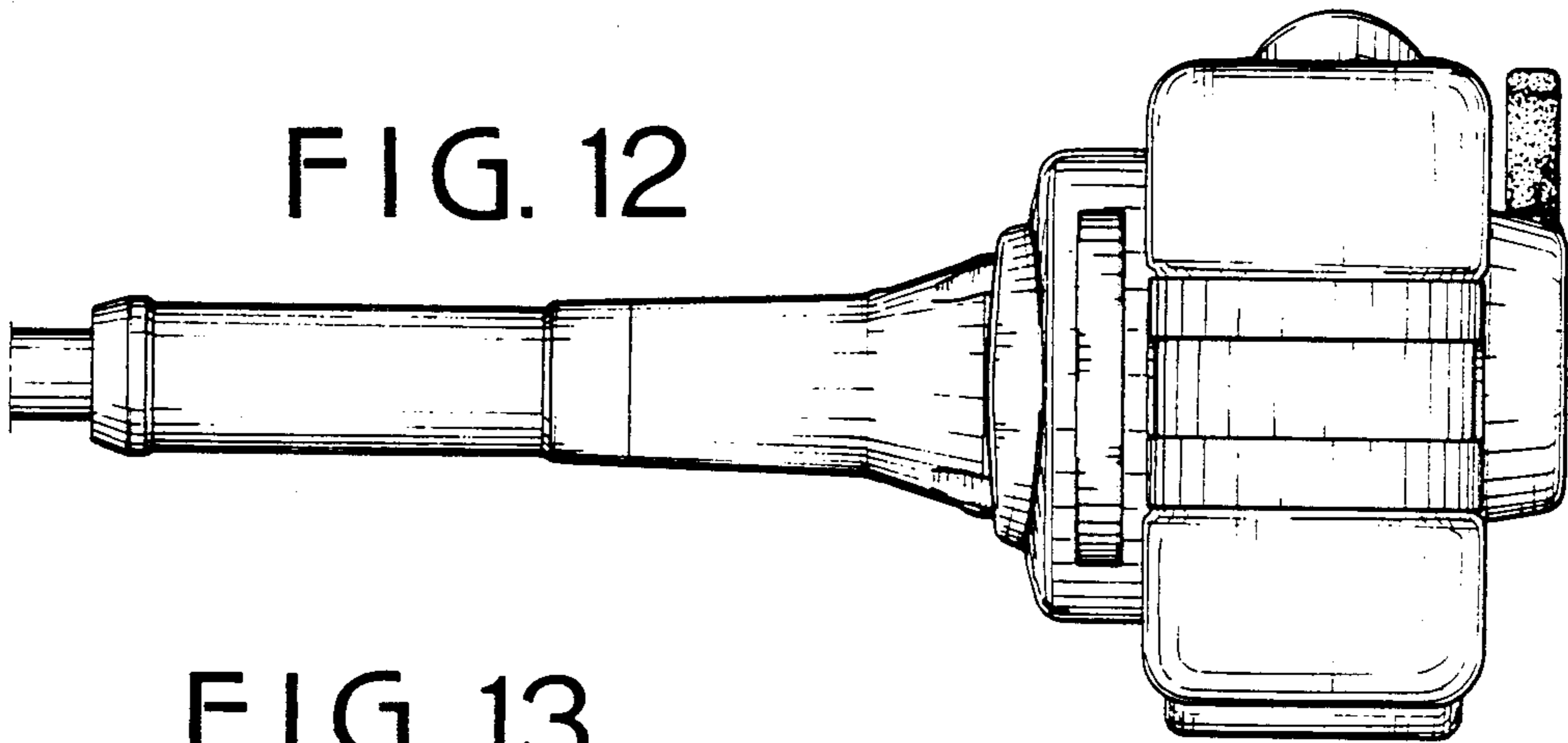


FIG. 13

