

# United States Patent [19]

Hansen et al.

[11] Patent Number: Des. 292,978

[45] Date of Patent: \*\* Dec. 1, 1987

[54] HORIZONTAL VARIABLE SPEED TURBINE PUMP

[75] Inventors: Donald J. Hansen; Gary G. Read, both of Aurora, Ill.

[73] Assignee: General Signal Corporation, Stamford, Conn.

[\*\*] Term: 14 Years

[21] Appl. No.: 768,584

[22] Filed: Aug. 23, 1985

[52] U.S. Cl. .... D15/7

[58] Field of Search ..... D15/7, 9; 417/405-409; 418/40; 415/219 R, DIG. 6

[56] **References Cited**

**U.S. PATENT DOCUMENTS**

- D. 190,052 4/1961 Bartholomew ..... D15/7
- D. 220,133 3/1971 Knapp et al. .... D15/9

3,733,095 5/1973 Sinclair et al. .... 417/321 X

*Primary Examiner*—Wallace R. Burke  
*Assistant Examiner*—Brian N. Vinton  
*Attorney, Agent, or Firm*—Jeffrey S. Mednick; Harold Huberfeld

[57] **CLAIM**

The ornamental design for a horizontal variable speed turbine pump, as shown.

**DESCRIPTION**

FIG. 1 is a front elevational view of a horizontal variable speed turbine pump showing our new design; FIG. 2 is a rear elevational view thereof; FIG. 3 is a top plan view thereof; FIG. 4 is a bottom plan view thereof; FIG. 5 is an enlarged left side elevational view thereof; and, FIG. 6 is an enlarged right side elevational view thereof.

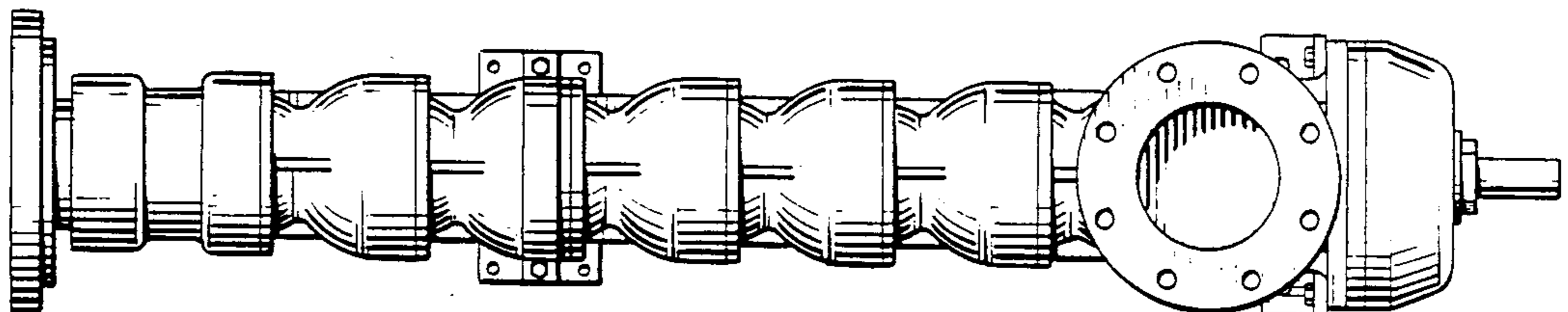
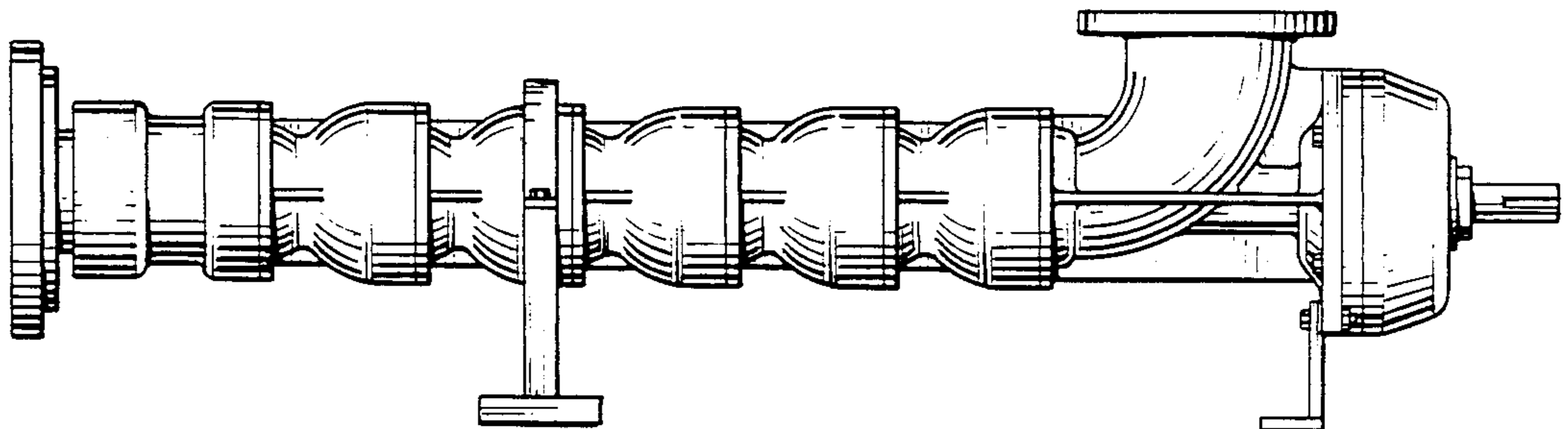


Fig. 1.

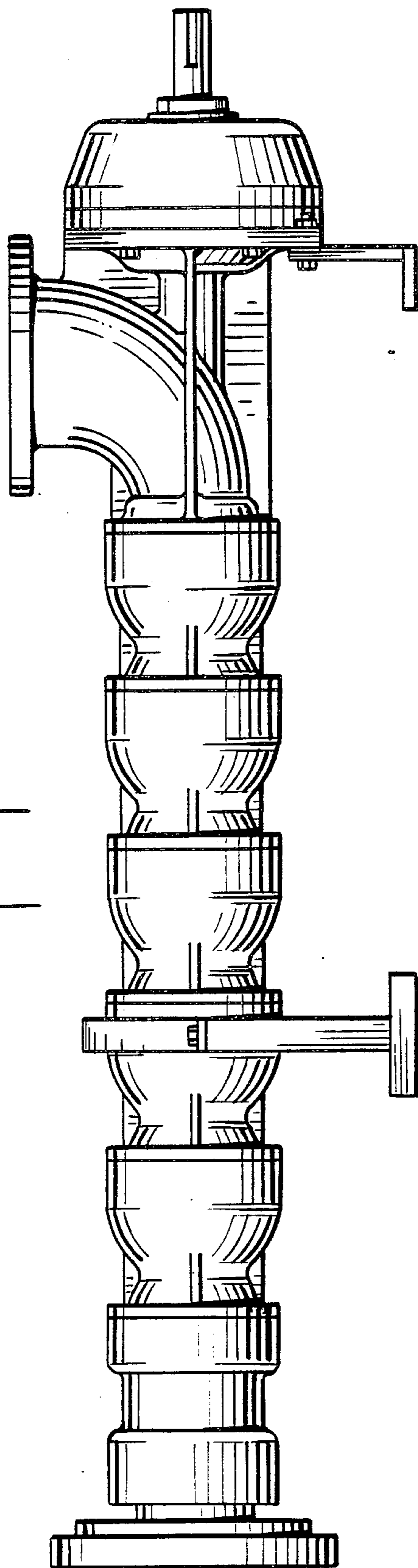
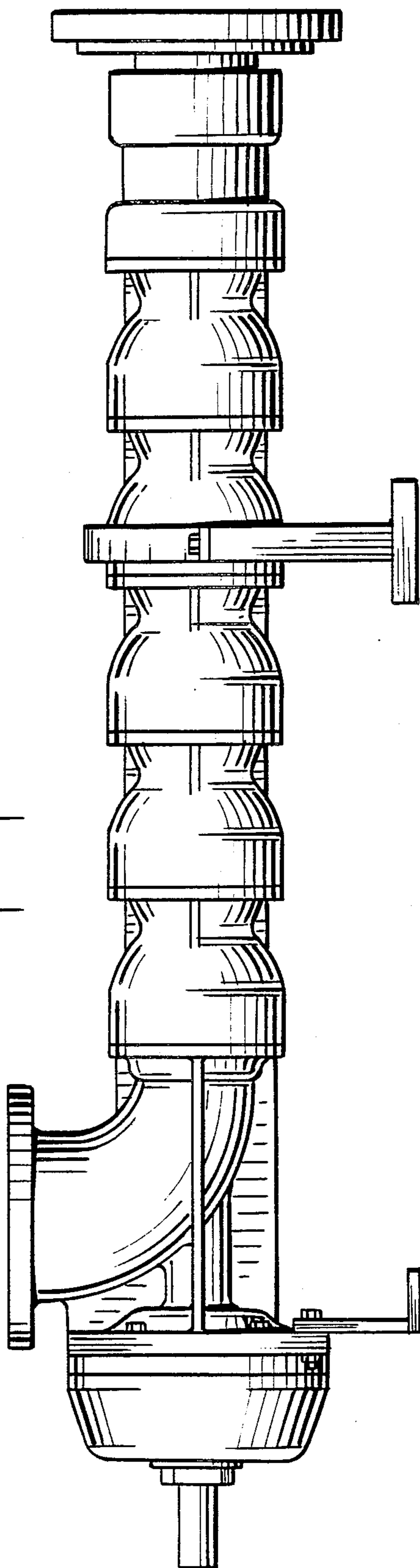


Fig. 2.



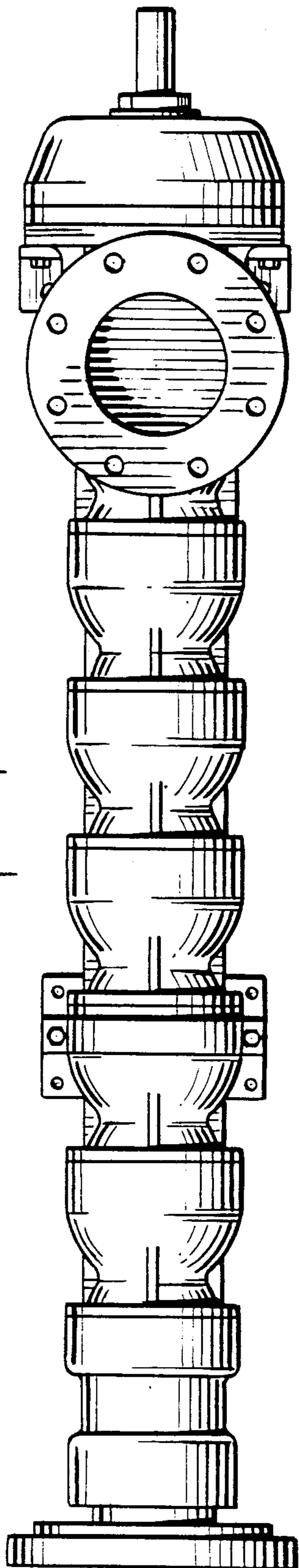


Fig. 3.

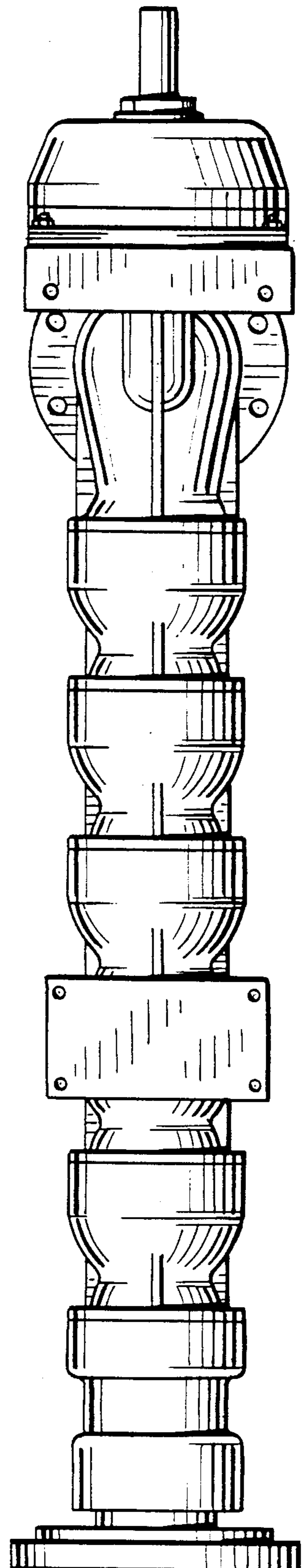


Fig. 4.

Fig. 6.

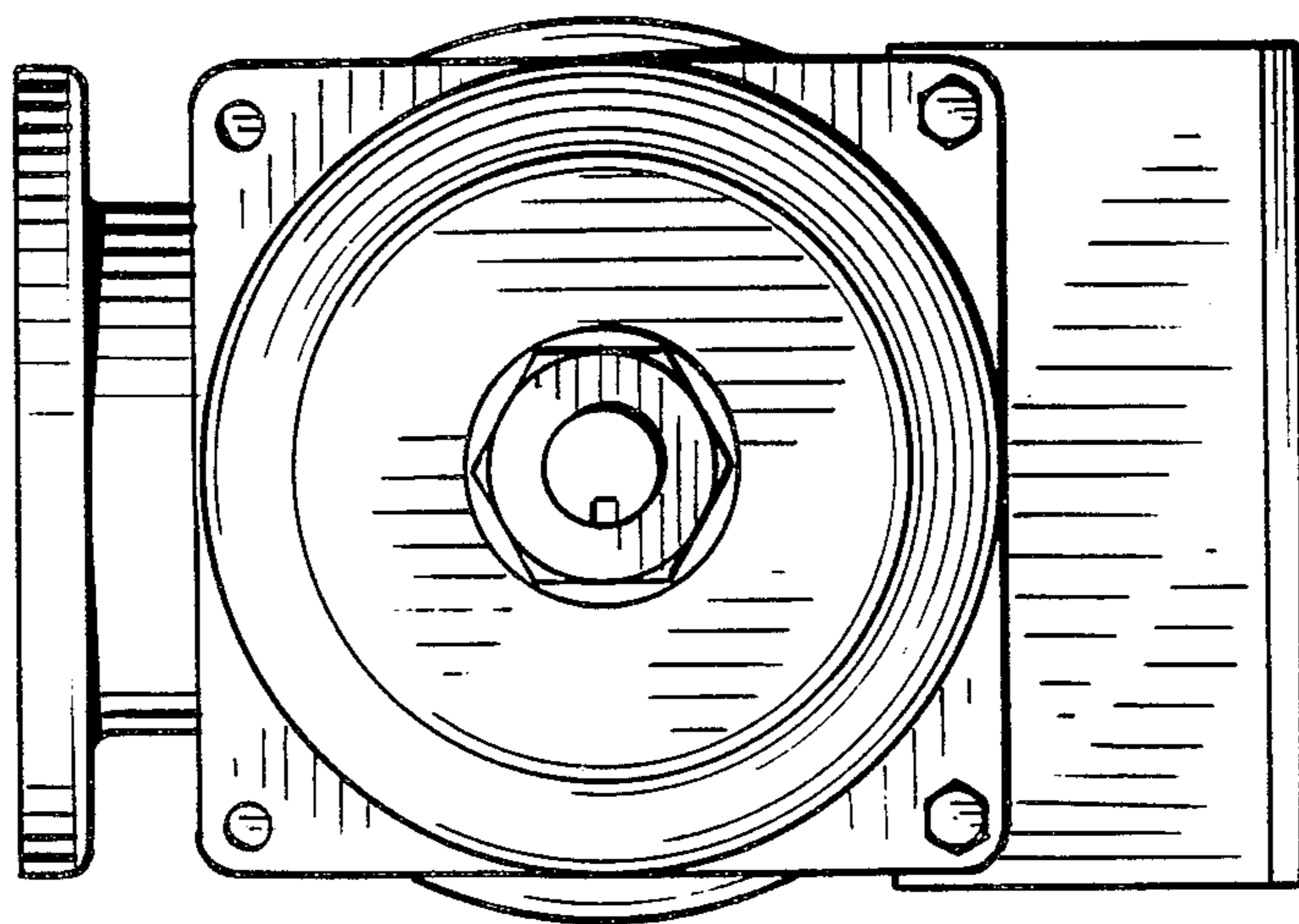


Fig. 5.

