

# United States Patent [19]

Kobayashi

[11] Patent Number: Des. 292,975

[45] Date of Patent: \*\* Dec. 1, 1987

[54] COMBINED CARRYING CASE AND BATTERY PACK FOR A CORDLESS TELEPHONE SET

[75] Inventor: Fumiyuki Kobayashi, Tokyo, Japan

[73] Assignee: NEC Corporation, Tokyo, Japan

[\*\*] Term: 14 Years

[21] Appl. No.: 836,617

[22] Filed: Feb. 26, 1986

[30] Foreign Application Priority Data

Aug. 27, 1985 [JP] Japan ..... 60-36364

[52] U.S. Cl. .... D14/65; D3/30.1; 294/903

[58] Field of Search ..... D8/303, 300, 69, 71; D14/65; D3/30.1; 294/149, 902, 903

[56] References Cited

### U.S. PATENT DOCUMENTS

D. 153,336 4/1949 Carter ..... D32/69  
D. 181,749 12/1957 Price et al. .... D8/300  
D. 275,048 8/1984 Bannigan ..... D3/30.1 X  
D. 282,169 1/1986 Larson ..... D14/65 X  
2,666,340 1/1954 Hunt ..... D8/303 X

2,778,668 1/1957 Tomek et al. .... 294/903 X  
3,546,822 12/1970 Hutchins ..... D8/62 X  
3,820,837 6/1974 Fredrickson ..... 294/903 X  
4,032,181 6/1977 Money, Sr. .... 294/903 X  
4,055,364 10/1977 Breite ..... 294/903 X

Primary Examiner—Wallace R. Burke  
Assistant Examiner—Horace B. Fay  
Attorney, Agent, or Firm—Sughrue, Mion, Zinn, Macpeak and Seas

### [57] CLAIM

The ornamental design for a combined carrying case and battery pack for a cordless telephone set, as shown and described.

### DESCRIPTION

FIG. 1 is a front elevational view of a combined carrying case and battery pack for a cordless telephone set, as shown in my new design;  
FIG. 2 is a right side elevational view thereof;  
FIG. 3 is a rear elevational view thereof;  
FIG. 4 is a left side elevational view thereof;  
FIG. 5 is a top plan view thereof;  
FIG. 6 is a bottom plan view thereof; and  
FIG. 7 is a front, top and left side perspective view thereof.

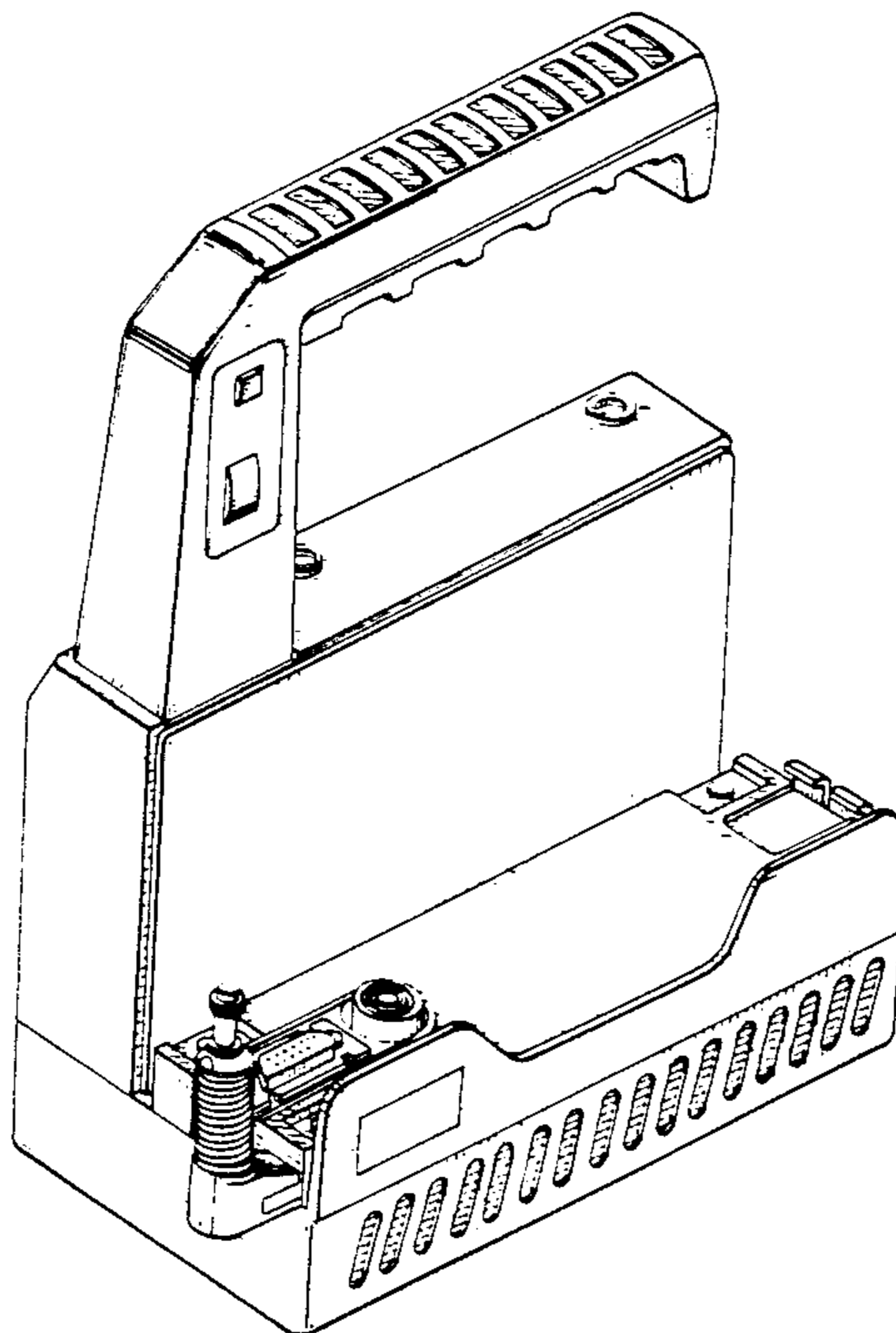


FIG. 1

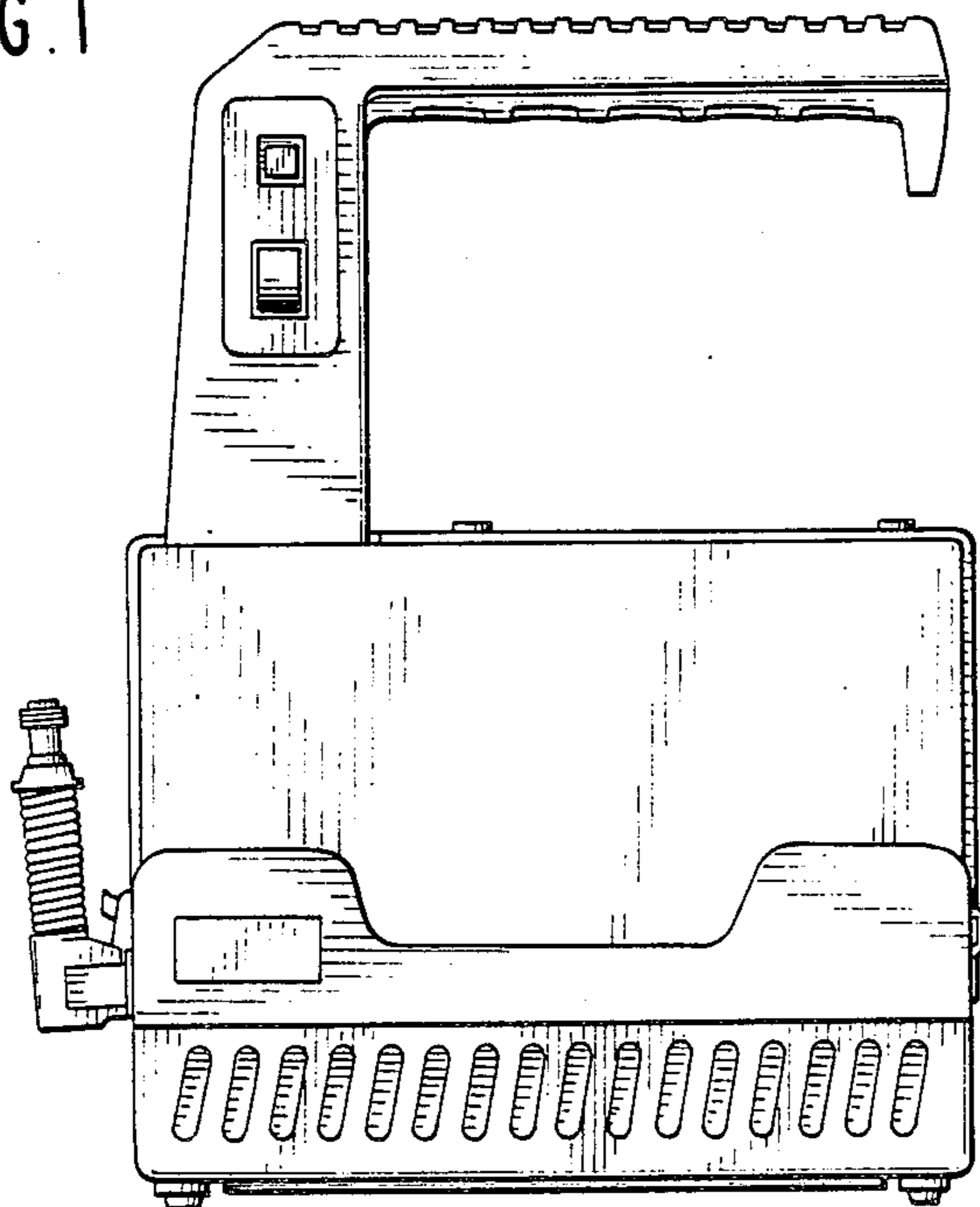


FIG. 2

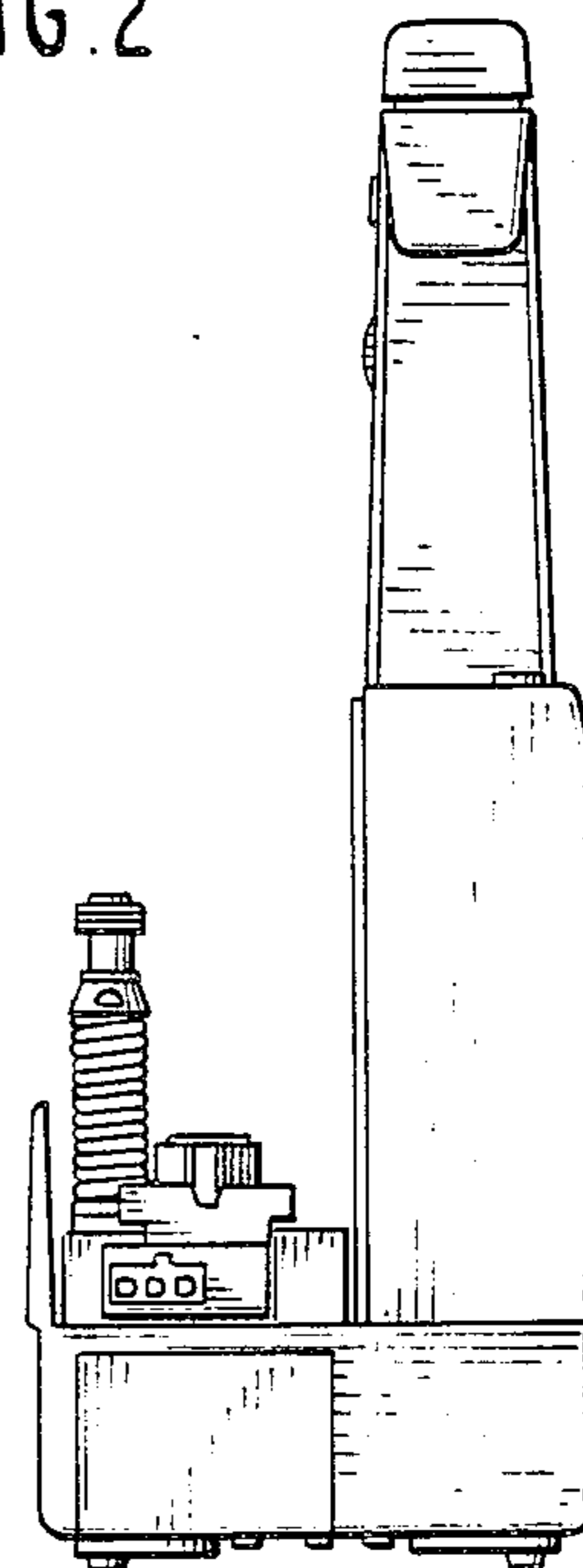


FIG. 3

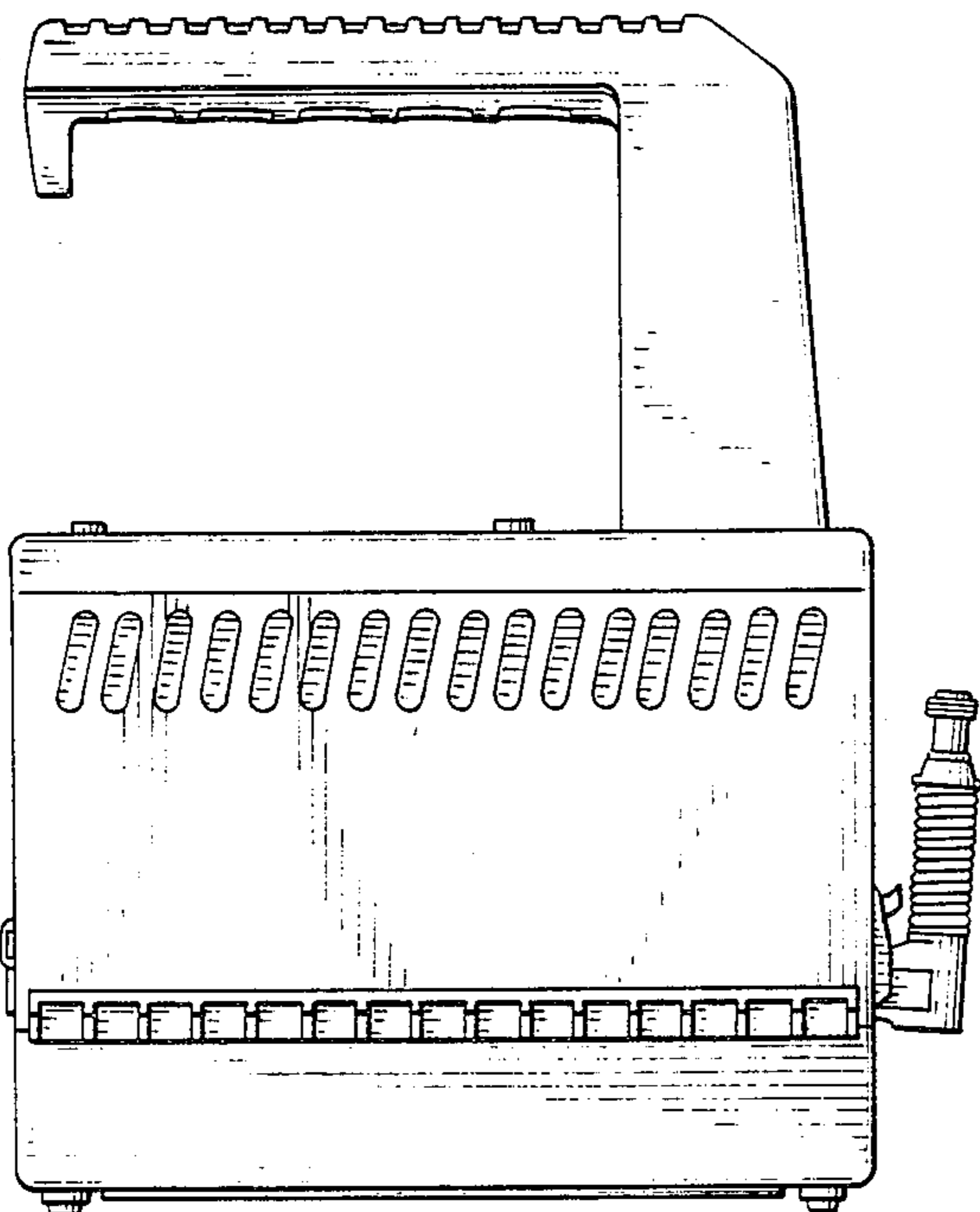


FIG. 4

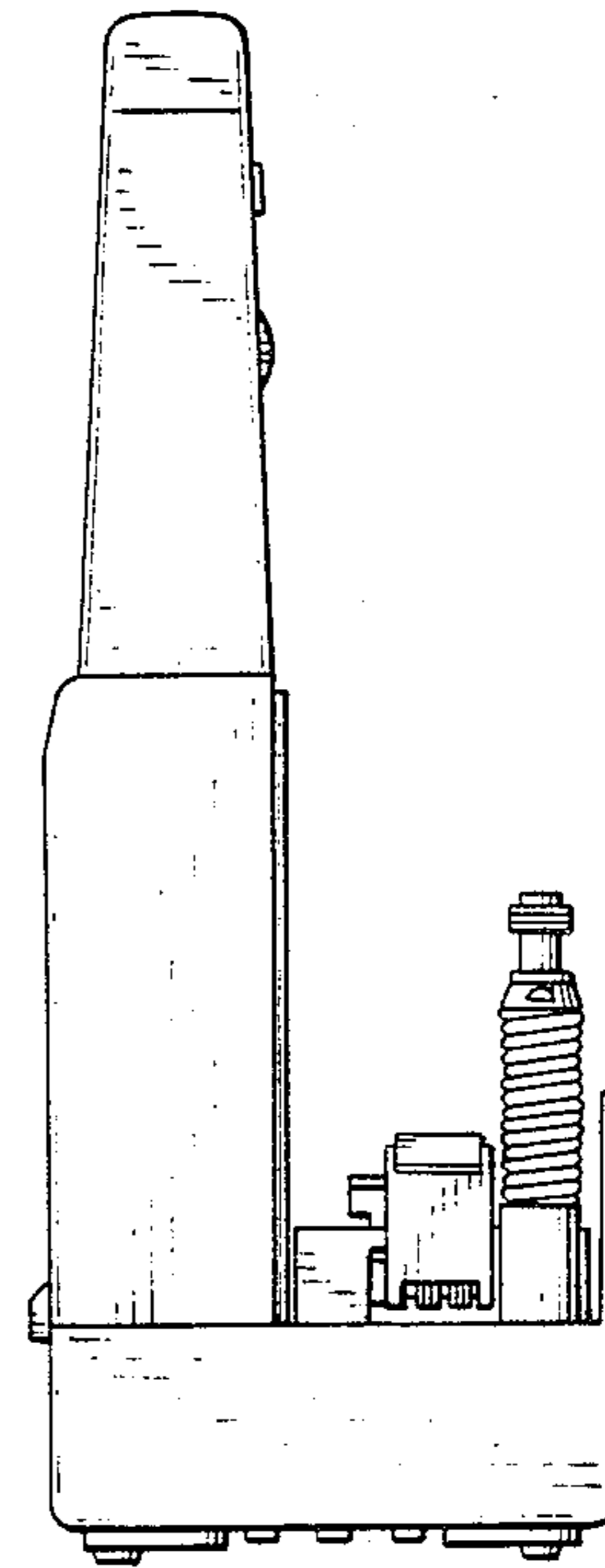


FIG. 5

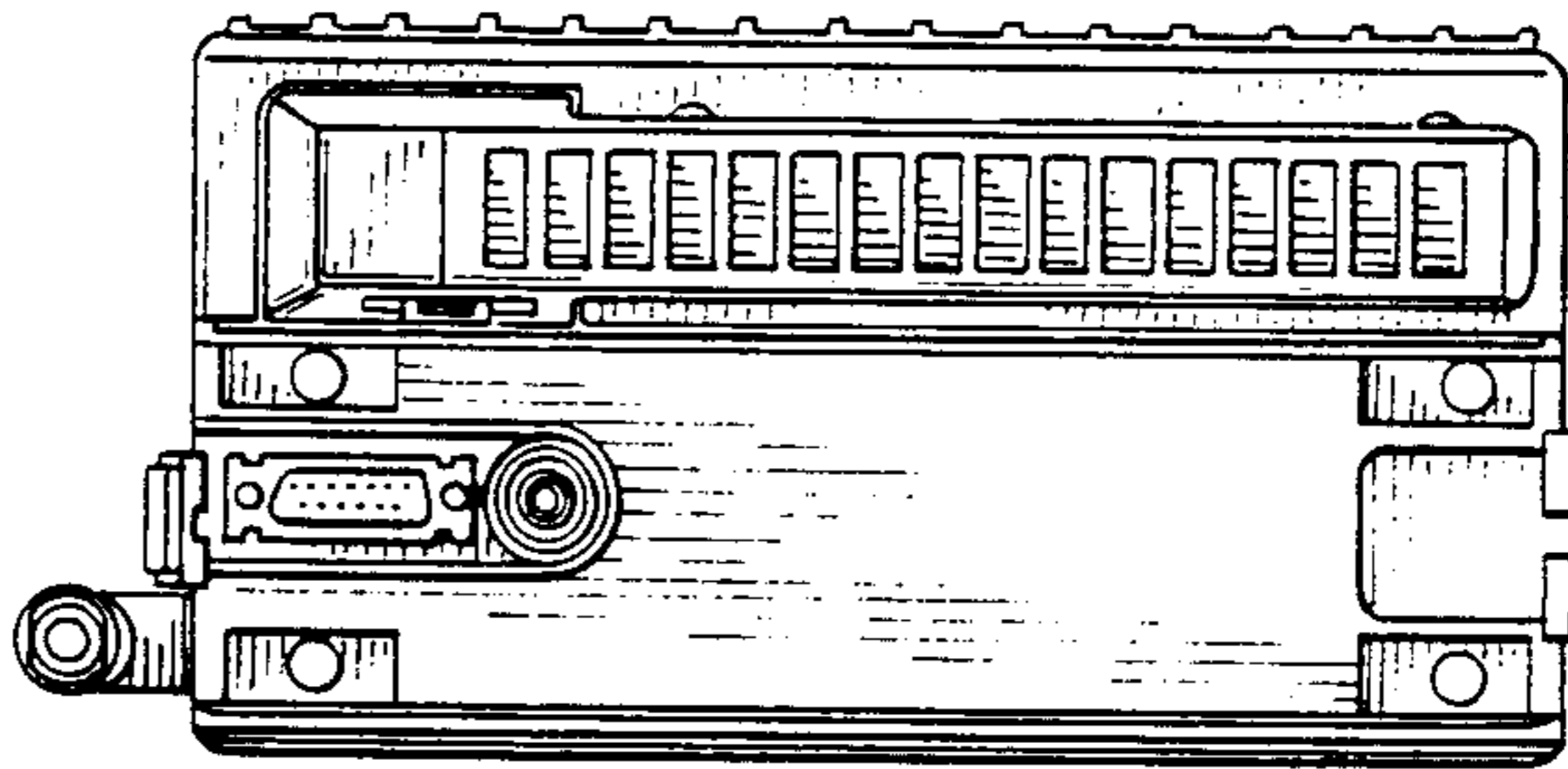


FIG. 6

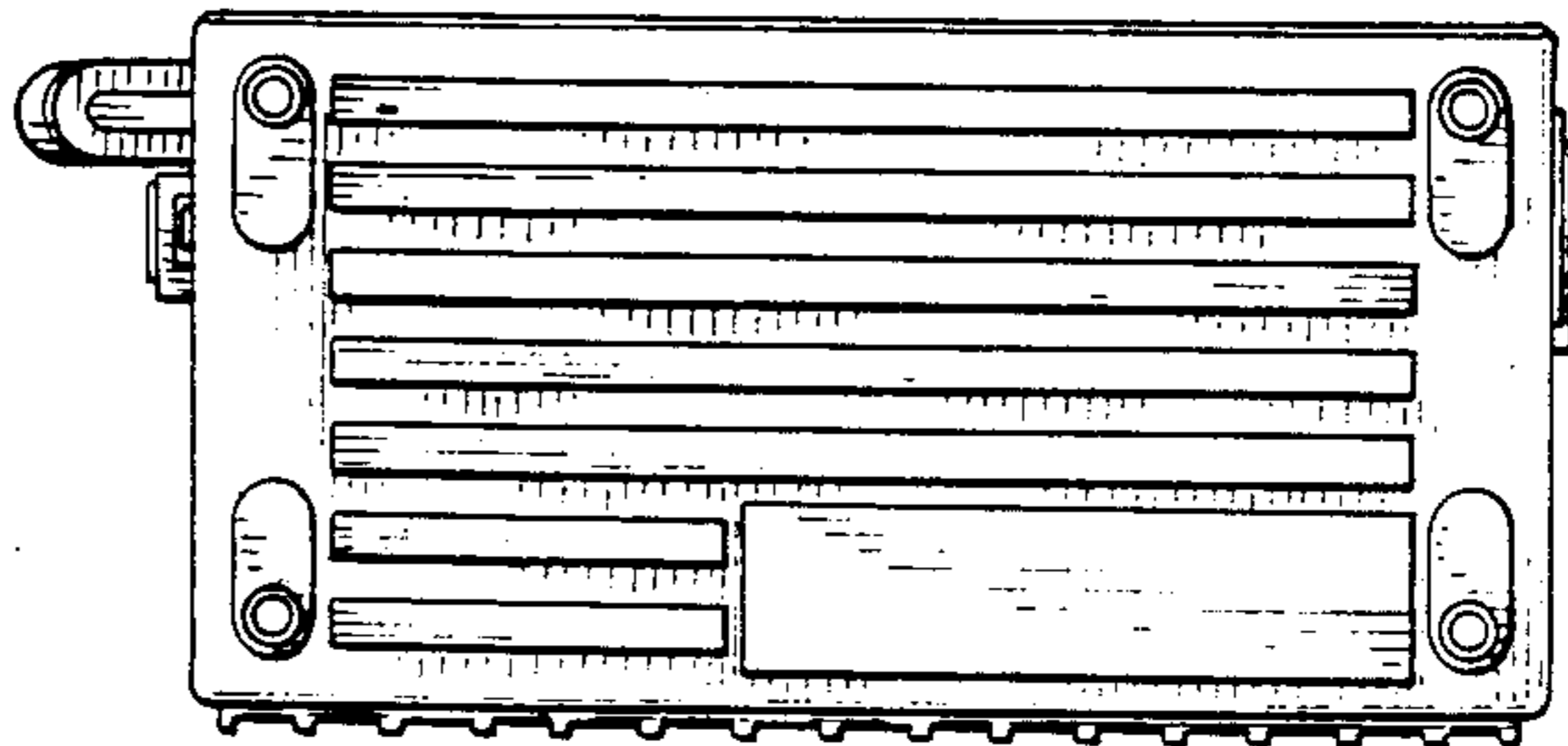
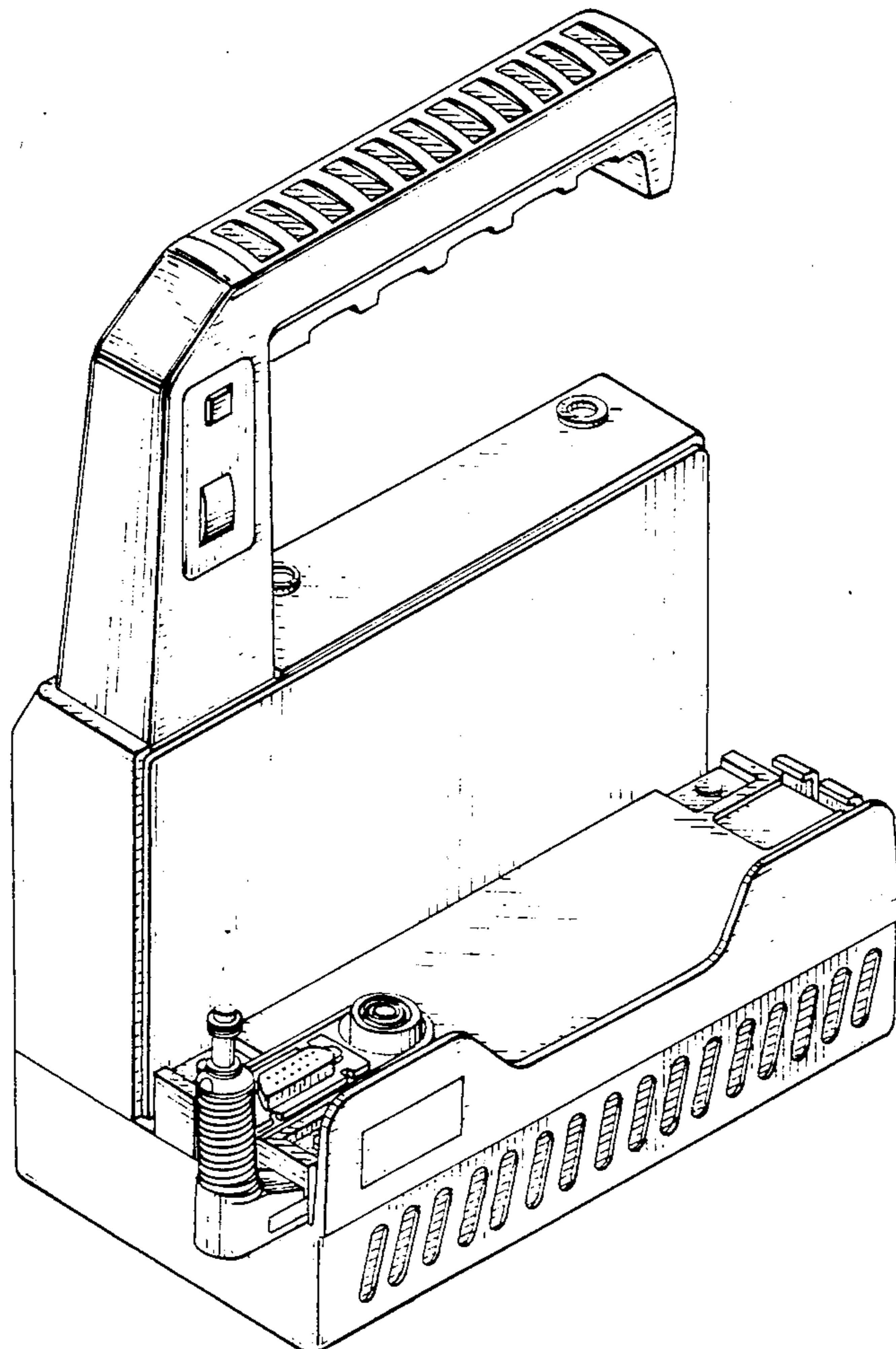


FIG. 7



UNITED STATES PATENT AND TRADEMARK OFFICE  
CERTIFICATE OF CORRECTION

PATENT NO. : Des. 292,975  
DATED : December 1, 1987  
INVENTOR(S) : Fumiyuki Kobayashi

It is certified that error appears in the above—identified patent and that said Letters Patent is hereby corrected as shown below:

Change Figure 1 description to read as follows:  
--FIG. 1 is a front elevational view of a combined carrying case and battery pack for a cordless telephone set, showing my new design;--

Signed and Sealed this  
Fourteenth Day of March, 1989

*Attest:*

*Attesting Officer*

DONALD J. QUIGG

*Commissioner of Patents and Trademarks*