

[54] CABLE TRAY

[75] Inventors: James M. Kenning; William K. McErlane, both of Cincinnati, Ohio; Barry R. Schuster, Union, Ky.

[73] Assignee: Square D Company, Palatine, Ill.

[\*\*] Term: 14 Years

[21] Appl. No.: 651,506

[22] Filed: Sep. 17, 1984

[52] U.S. Cl. .... D13/40

[58] Field of Search ..... D13/40-41, D13/99; 403/300; 269/903; 206/557, 558, 562, 563; 248/49.1, 58, 61, 68.1; 211/182; D25/74; 52/731-732; D9/414, 424, 432; 174/68 C, 68 R, 70 C, 70 A, 72 R, 97

[56] References Cited

U.S. PATENT DOCUMENTS

2,863,683	12/1958	Peterson et al. ....	403/300
2,905,416	9/1959	Wiegand .....	248/58
3,521,843	7/1970	Ogle .....	174/68 C
3,598,349	8/1971	Drake .....	174/68 C
3,791,613	2/1974	Nollen .....	174/68 C

OTHER PUBLICATIONS

Electrical Consultant, Sep.-Oct. 1983, vol. 63, p. 54, Fiberglass Cable Tray.

Dahlstrom Metal Mouldings & Shapes, Cat. 12, 1969, p. 19, Channels.

Electrical Construction & Maintenance, Mar. 1978, p. 147, Cable Tray.

Electrical Consulting, vol. 60, Mar.-Apr. 1980, p. 41, Chalfont Cable Tray.

Electrical Consultant, vol. 60, 1980, Nov.-Dec., p. 45, Robroy Fiberglass Cable Tray.

Electrical Consultant, vol. 61, Sep.-Oct. 1981, pp. 66-67, Chalfont Steel Cable Tray.

Primary Examiner—Wallace R. Burke

Assistant Examiner—Ruth E. Takemoto

Attorney, Agent, or Firm—Larry I. Golden; Richard T. Guttman; Mary R. Jankousky

[57] CLAIM

The ornamental design for a cable tray, substantially as shown and described.

DESCRIPTION

FIG. 1 is a perspective view of a cable tray showing our new design;

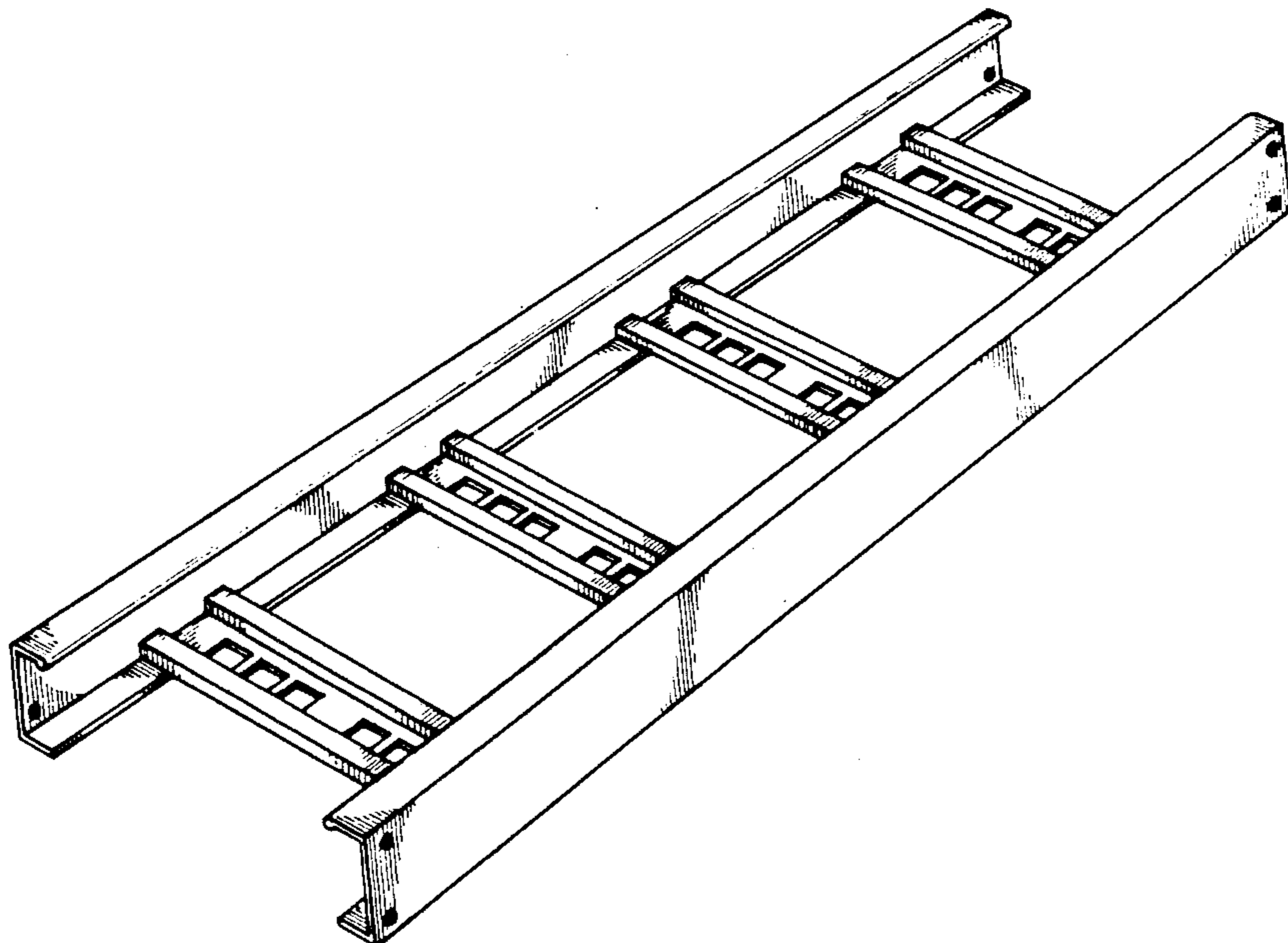
FIG. 2 is a side elevational view thereof, the opposite side being identical;

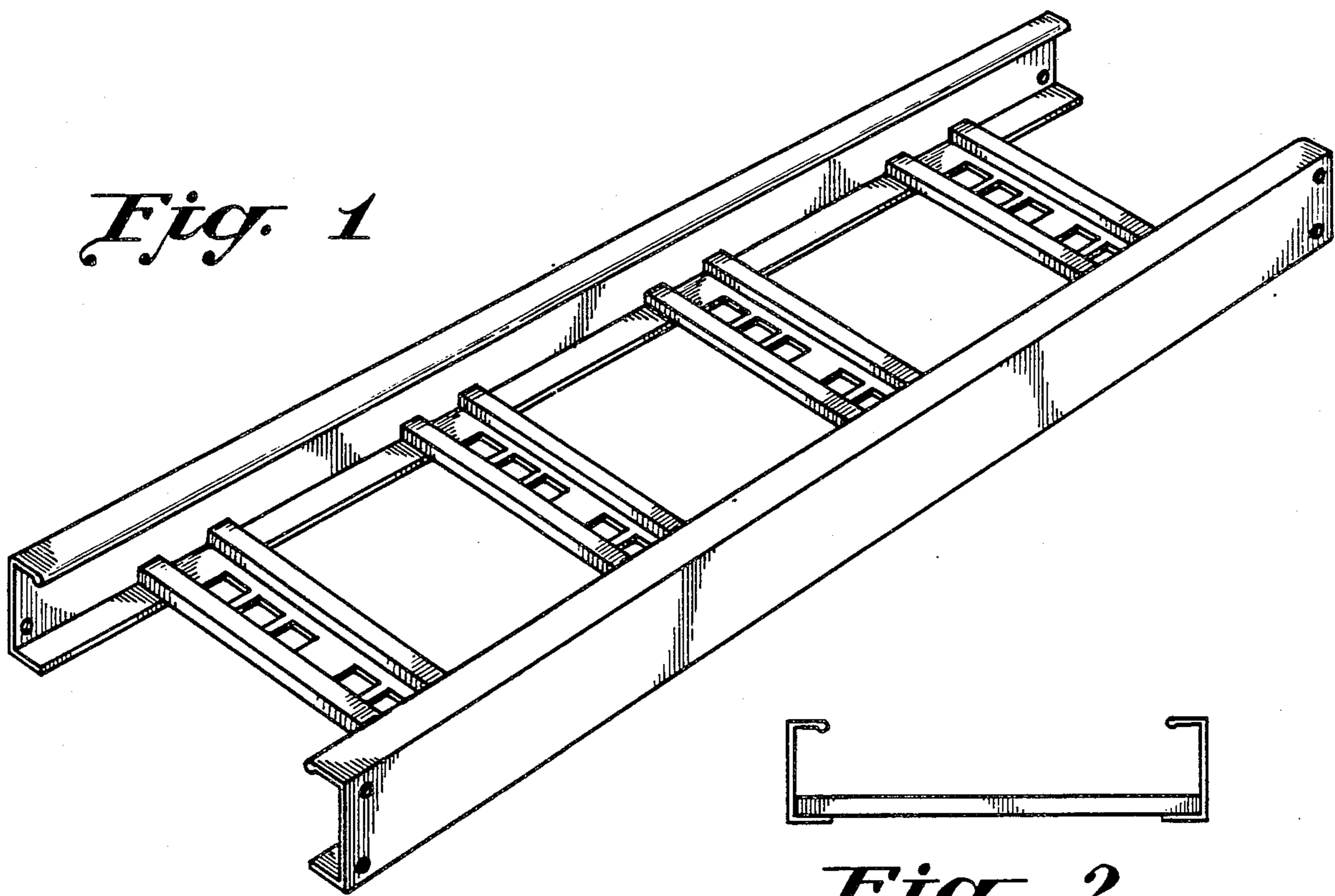
FIG. 3 is a front elevational view thereof, the rear view being identical; and

FIG. 4 is a top plan view thereof.

The rungs of the undisclosed bottom are U-shaped, with each leg of the U turned outwards at the top then downwards to form a snake-like sectional profile.

The rungs of the undisclosed bottom are substantially the same as that shown in FIG. 1.





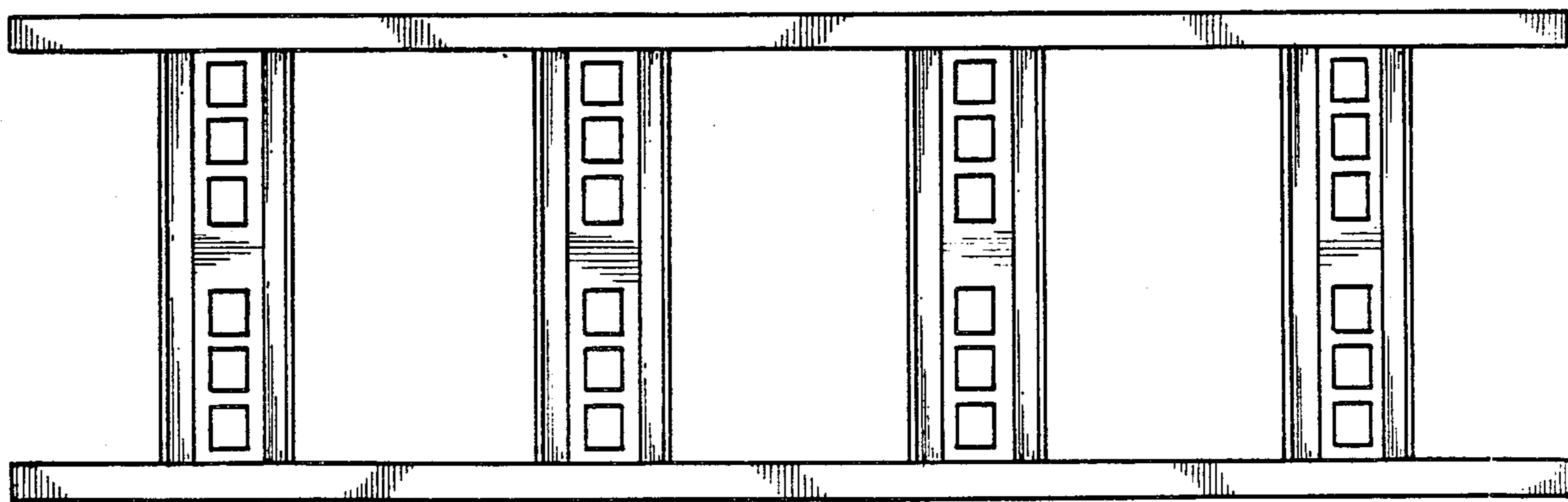
*Fig. 1*



*Fig. 2*



*Fig. 3*



*Fig. 4*