

- [54] **COMBINED BULB AND CAP FOR A DROPPER APPLICATOR**
 [75] **Inventor: James F. Gager, New York, N.Y.**
 [73] **Assignee: Estee Lauder Inc., New York, N.Y.**
 [**] **Term: 14 Years**
 [21] **Appl. No.: 565,155**
 [22] **Filed: Dec. 23, 1983**
 [52] **U.S. Cl. D9/436**
 [58] **Field of Search D9/436, 338, 301, 434, D9/439, 443, 499; 141/24, 26**

- [56] **References Cited**
U.S. PATENT DOCUMENTS
- | | | | | |
|------------|---------|-----------------|-------|----------|
| D. 186,569 | 11/1959 | Greene | | D2/3 |
| D. 191,481 | 10/1961 | Conley | | D74/1 |
| D. 194,419 | 1/1963 | Whitton | | D83/12 |
| D. 195,238 | 5/1963 | Mitchell | | D83/1 |
| D. 195,611 | 7/1963 | Mitchell | | D83/1 |
| D. 199,154 | 9/1964 | Koch | | D58/17 |
| D. 204,353 | 4/1966 | Magers | | D83/12 |
| D. 206,039 | 10/1966 | Cronin | | D83/12 |
| D. 209,871 | 1/1968 | Grebow | | D58/26 |
| D. 225,838 | 1/1973 | Flider | | D9/7 |
| D. 240,462 | 7/1976 | Dash | | D24/4 |
| D. 240,464 | 7/1976 | Dash | | D24/2 |
| D. 243,122 | 1/1977 | Dash | | D83/12 A |
| D. 246,321 | 11/1977 | Lofman | | D24/24 |
| D. 249,329 | 9/1978 | Schacher et al. | | D9/45 |
| D. 253,374 | 11/1979 | Bonk | | D24/63 |
| D. 260,614 | 9/1981 | Peterson | | D9/447 |
| D. 269,706 | 7/1983 | Green | | D24/63 |
| D. 274,128 | 6/1984 | Bennett | | D9/301 |
| 2,154,393 | 4/1939 | Bates | | 221/77 |
| 2,299,572 | 10/1942 | Estenes | | 15/136 |
| 2,311,367 | 2/1943 | Chambers | | 221/147 |
| 2,353,153 | 7/1944 | Ferrel | | 128/232 |
| 2,546,754 | 3/1951 | Jones | | 128/260 |
| 2,667,165 | 1/1954 | Smith | | 128/216 |
| 2,717,598 | 9/1955 | Krasno | | 123/216 |
| 2,738,107 | 3/1956 | Graham | | 222/211 |
| 2,764,319 | 9/1956 | Weimer | | 222/215 |
| 2,780,378 | 2/1957 | Romano | | 215/11 |
| 2,784,882 | 3/1957 | Du Bois | | 222/215 |
| 2,825,492 | 3/1958 | Krasno | | 222/209 |
| 2,833,448 | 5/1958 | Lerner | | 222/209 |
| 2,935,067 | 5/1960 | Bouet | | 128/216 |

- | | | | | |
|-----------|---------|----------------|-------|---------|
| 2,950,717 | 8/1960 | Bouet | | 128/218 |
| 3,083,877 | 4/1963 | Gash | | 222/107 |
| 3,095,009 | 6/1963 | Conley | | 137/453 |
| 3,124,171 | 3/1964 | Mitchell | | 141/26 |
| 3,143,429 | 8/1964 | Swanson et al. | | 99/171 |
| 3,154,116 | 10/1964 | Mitchell | | 141/24 |
| 3,154,116 | 10/1964 | Mitchell | | 141/24 |
| 3,171,446 | 3/1965 | Koch | | 141/24 |
| 3,172,577 | 3/1965 | Hartung | | 222/206 |
| 3,190,619 | 6/1965 | Penney et al. | | 259/54 |
| 3,201,111 | 8/1965 | Afton | | 267/1 |
| 3,214,066 | 10/1965 | Shirley et al. | | 222/209 |
| 3,215,171 | 11/1965 | Mitchell | | 141/24 |
| 3,223,289 | 12/1965 | Bouet | | 222/209 |
| 3,249,262 | 5/1966 | Barr et al. | | 222/193 |
| 3,266,532 | 8/1966 | Stewart | | 141/24 |
| 3,298,577 | 1/1967 | Chlystun | | 222/529 |
| 3,301,293 | 1/1967 | Santelli | | 150/5 |
| 3,323,689 | 6/1967 | Elmore | | 222/385 |

(List continued on next page.)

FOREIGN PATENT DOCUMENTS

- 798338 7/1958 United Kingdom .

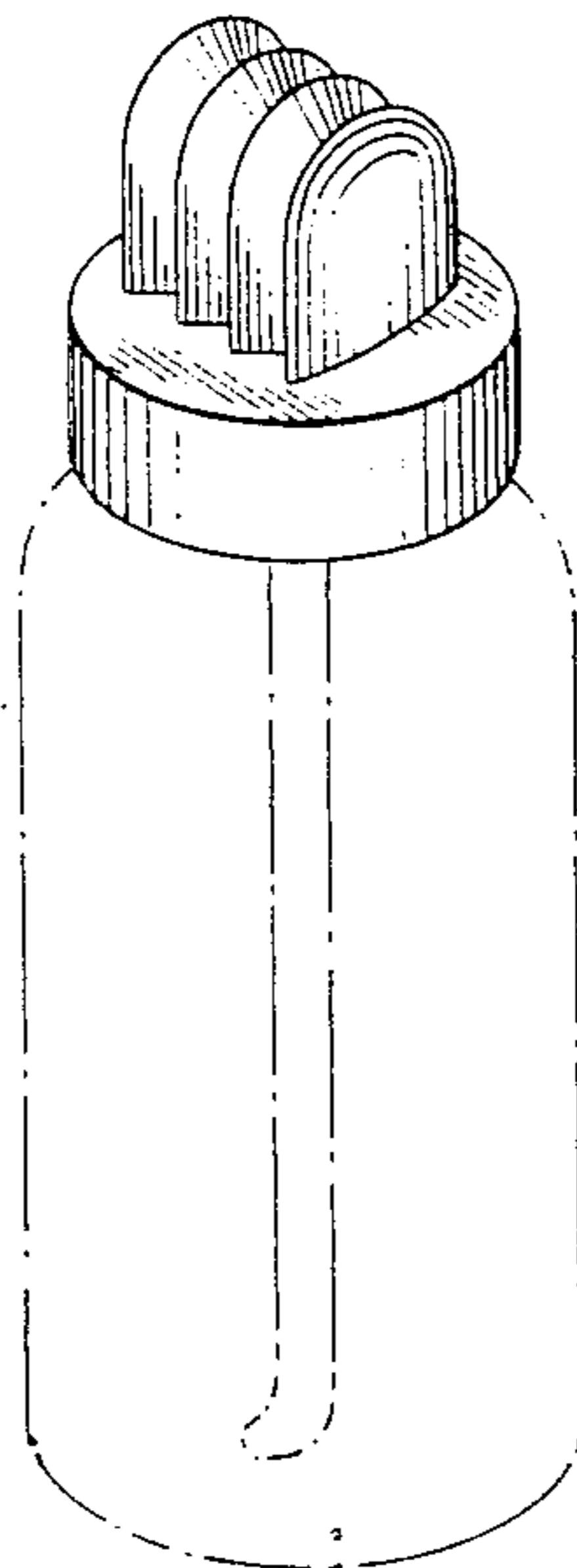
Primary Examiner—Bernard Ansher
Assistant Examiner—Linda Titolo
Attorney, Agent, or Firm—Richard M. Barnes; Paul H. Ginsburg

[57] **CLAIM**

The ornamental design for a combined bulb and cap for a dropper applicator, substantially as shown and described.

DESCRIPTION

FIG. 1 is a top front perspective view of a combined bulb and cap for a dropper applicator, showing my new design, the broken lines indicating a container and dropper barrel are shown for illustrative purposes only.
 FIG. 2 is a bottom rear perspective view thereof.
 FIG. 3 is a front elevational view thereof, the rear view being a mirror image thereof.
 FIG. 4 is a right side elevational view thereof, the left side being a mirror image thereof.
 FIG. 5 is a top plan view thereof.
 FIG. 6 is a bottom plan view thereof.



U.S. PATENT DOCUMENTS

3,340,869	9/1967	Bane	128/2	3,512,524	5/1970	Drewe	128/216
3,379,196	4/1968	Mitchell	128/233	3,557,788	1/1971	Swartz	128/232
3,387,610	6/1968	Richmond	128/278	3,596,687	8/1971	Forgeron	141/24
3,390,821	7/1968	Mullan	222/212	3,802,435	4/1974	Claasen	128/232
3,454,007	7/1969	Salis	128/232	3,844,284	10/1974	Schoenfeld et al.	128/232
3,459,335	8/1969	Cohen et al.	222/146	3,938,514	2/1976	Boucher	128/232
3,506,163	4/1970	Rauh et al.	222/212	4,254,769	3/1981	Sneider	128/227

FIG. 1

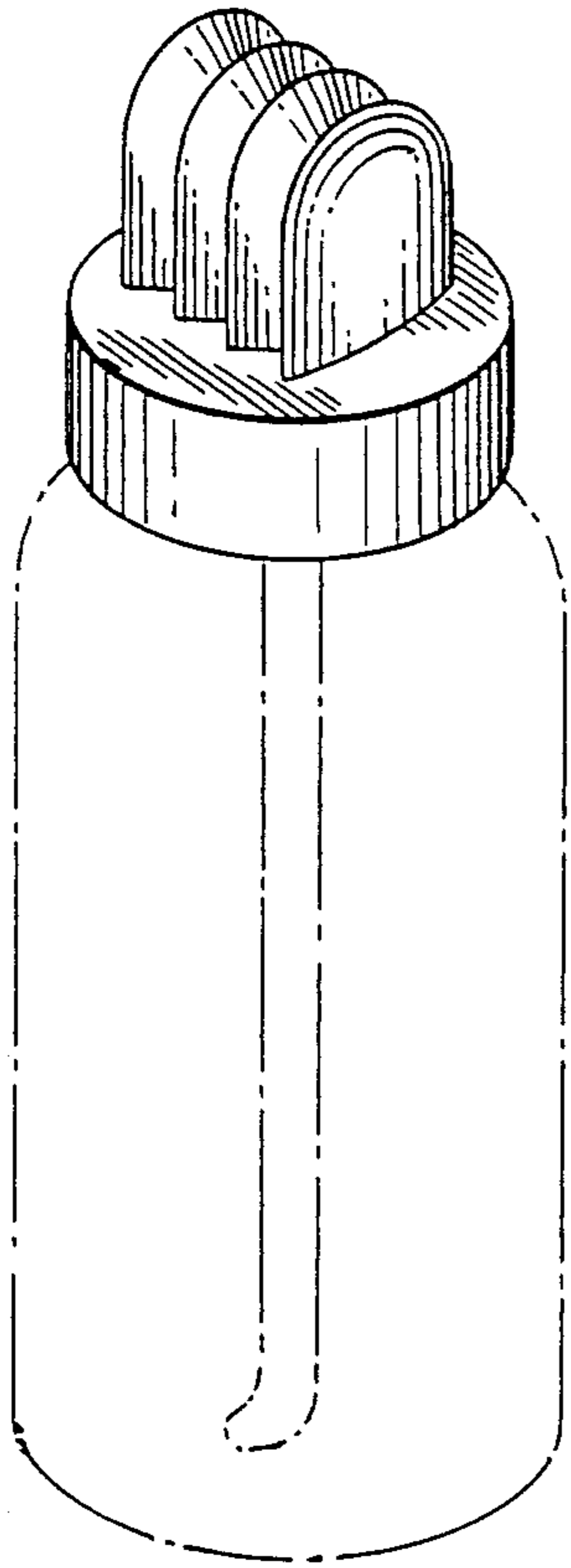


FIG. 2

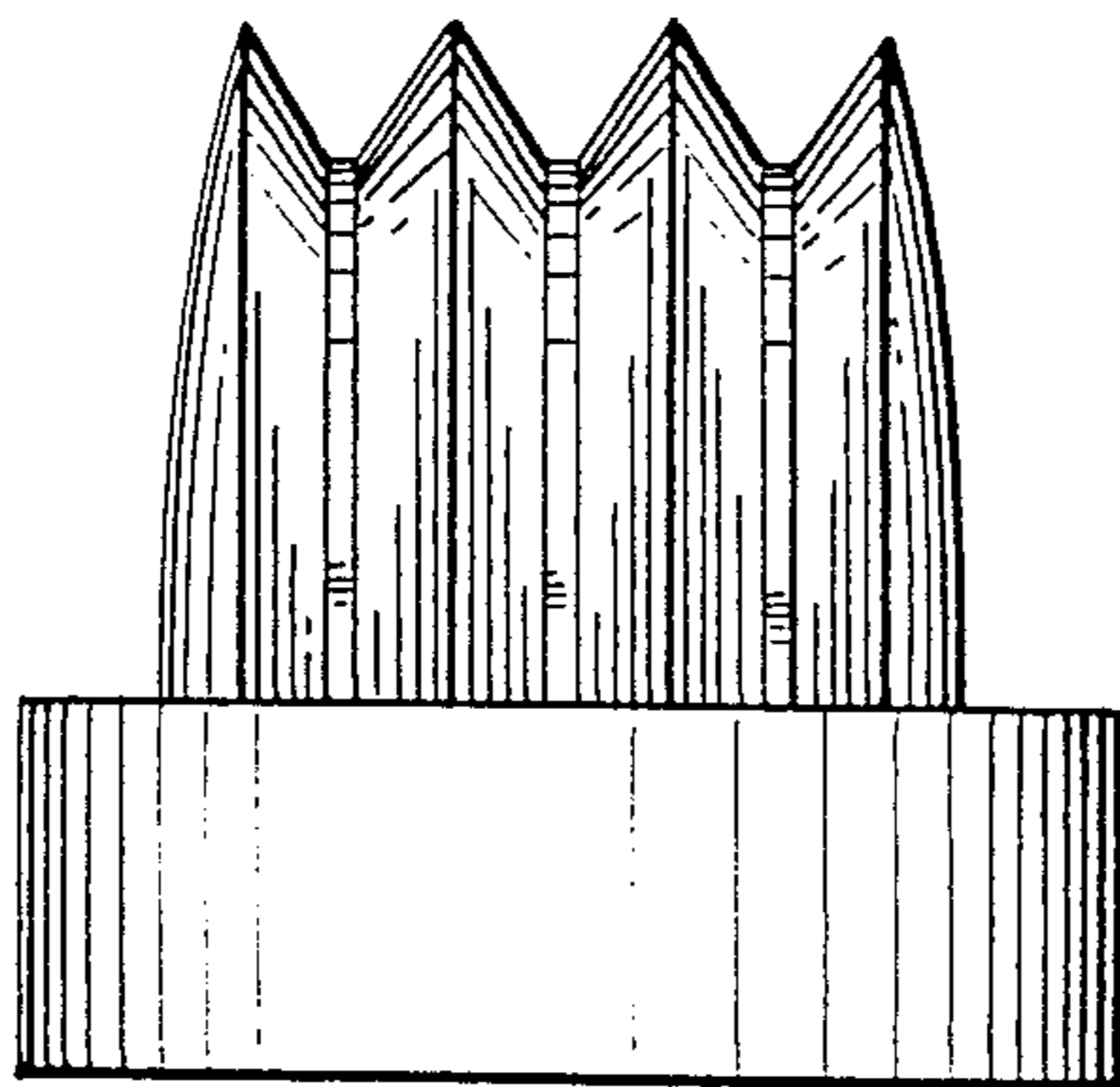
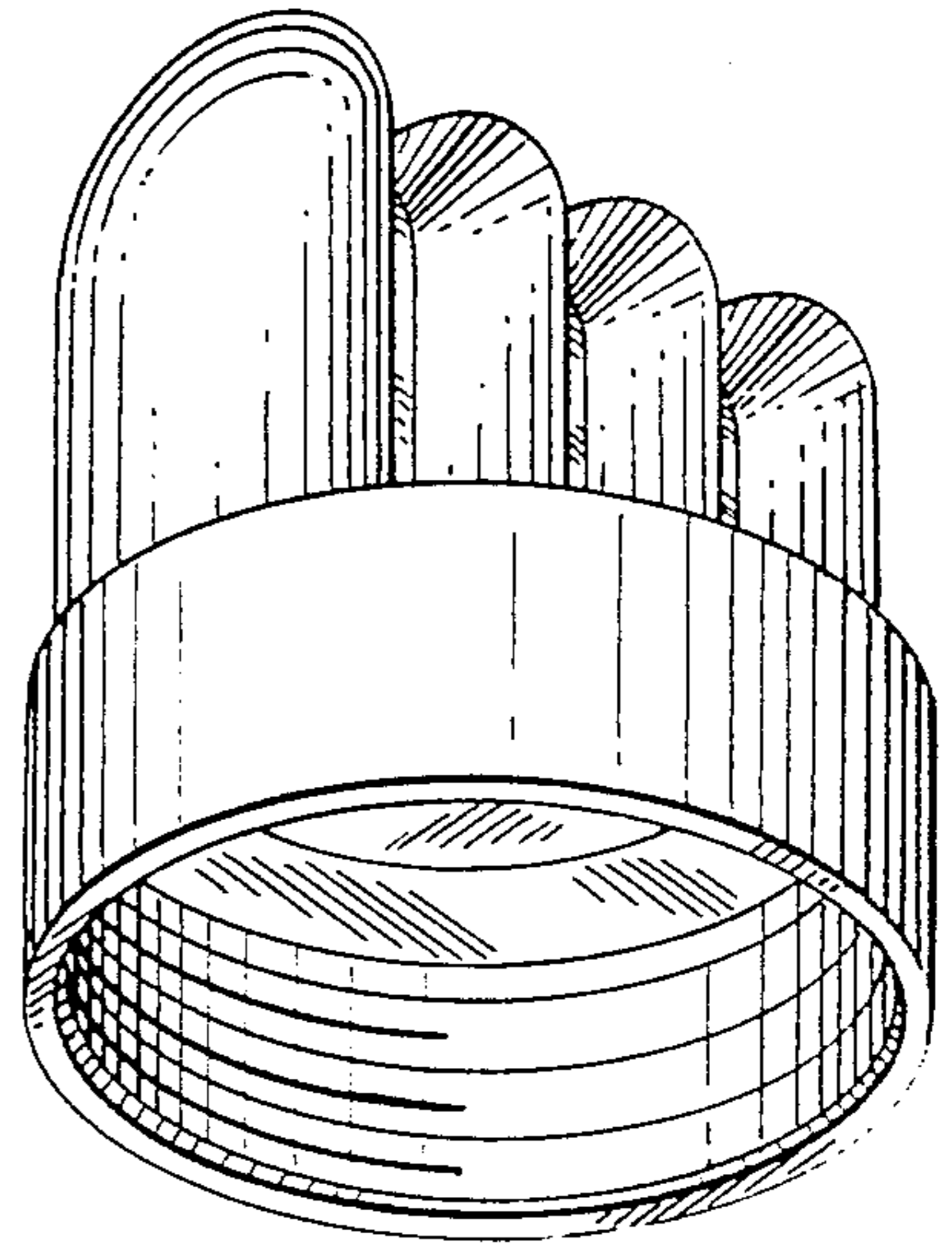


FIG. 3

FIG. 5

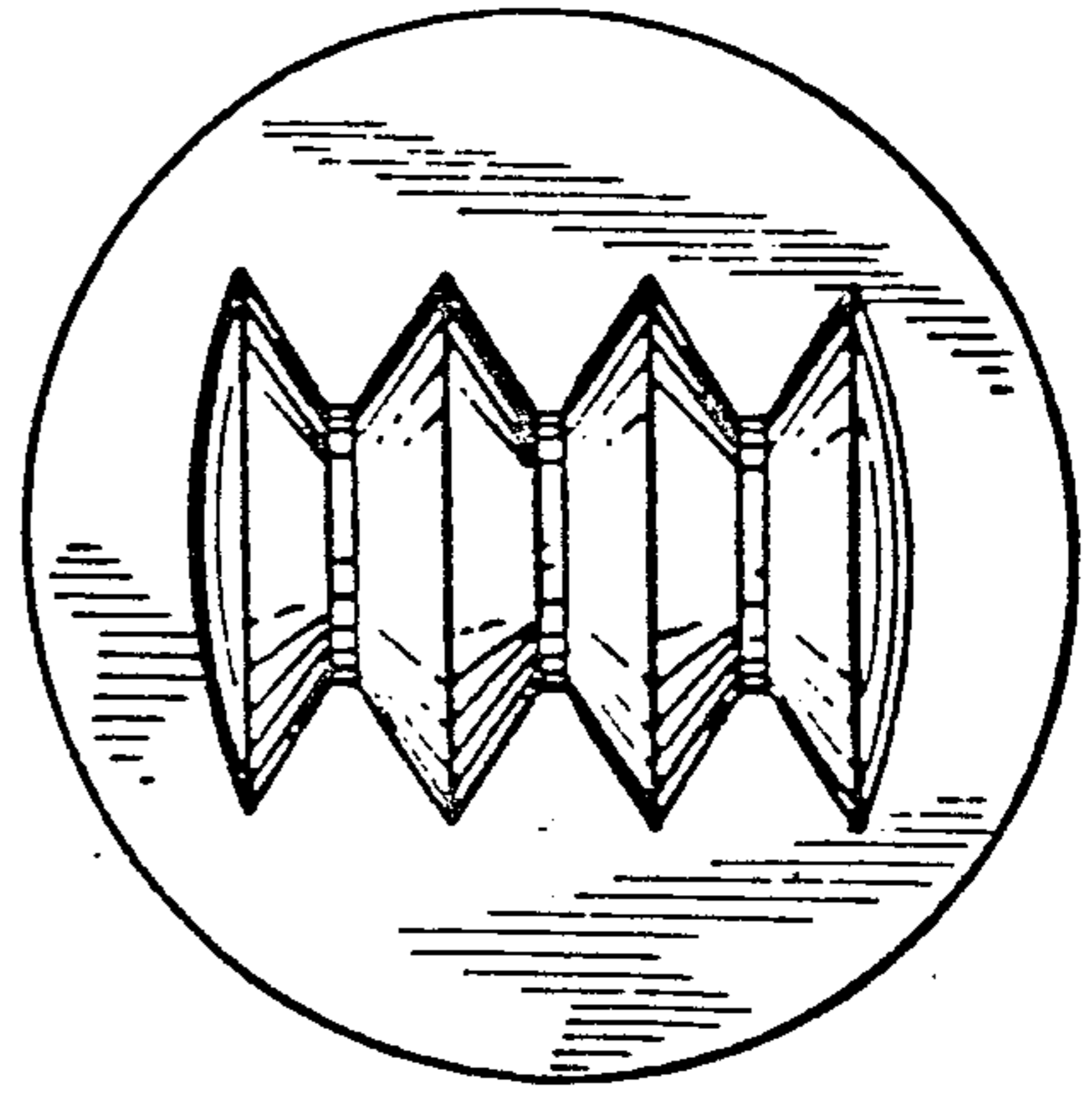


FIG. 4

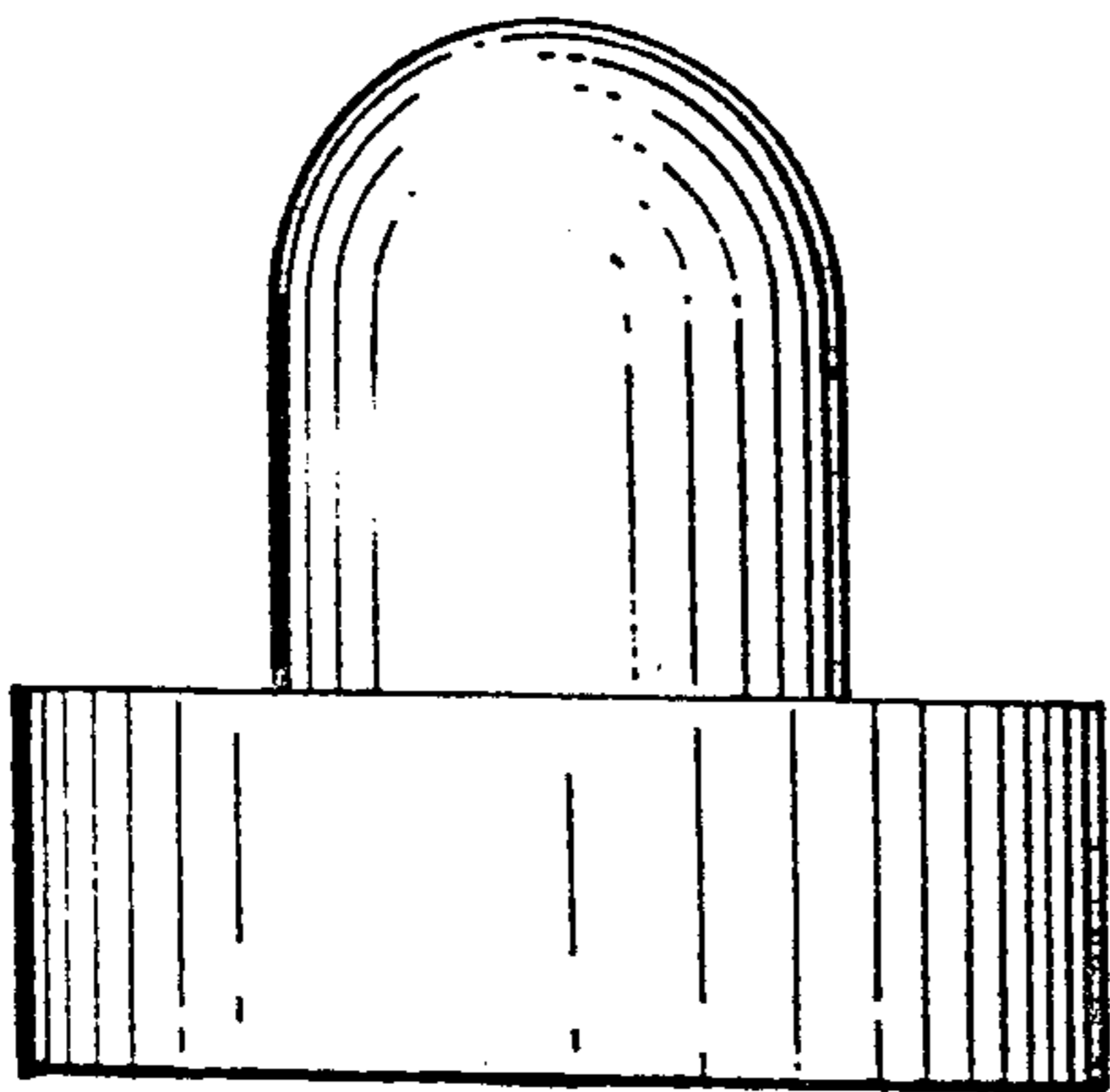


FIG. 6

