

United States Patent [19]
Leszczak

[11] **Patent Number: Des. 292,962**
[45] **Date of Patent: ** Dec. 1, 1987**

[54] **STAPLER**
[75] **Inventor: John Leszczak, Roselle Park, N.J.**
[73] **Assignee: The Bates Manufacturing Company, Hackettstown, N.J.**
[**] **Term: 14 Years**
[21] **Appl. No.: 718,847**
[22] **Filed: Apr. 2, 1985**
[52] **U.S. Cl. D8/50**
[58] **Field of Search D8/49, 50; 227/120, 227/128**

[56] **References Cited**
U.S. PATENT DOCUMENTS
D. 233,306 10/1974 Power D8/50
D. 275,727 10/1984 Rosenblad D8/50

Primary Examiner—Bernard Ansher
Assistant Examiner—Terry Pfeffer
Attorney, Agent, or Firm—Edward R. Weingram

[57] **CLAIM**
The ornamental design for a stapler, substantially as shown and described.

DESCRIPTION
FIG. 1 is a top front right side perspective view of a stapler showing my new design;
FIG. 2 is a front elevational view thereof;
FIG. 3 is a rear elevational view thereof;
FIG. 4 is a top plan view thereof;
FIG. 5 is a left side view elevational view thereof which is a mirror image of the right elevational view thereof;
and
FIG. 6 is a bottom plan view thereof.

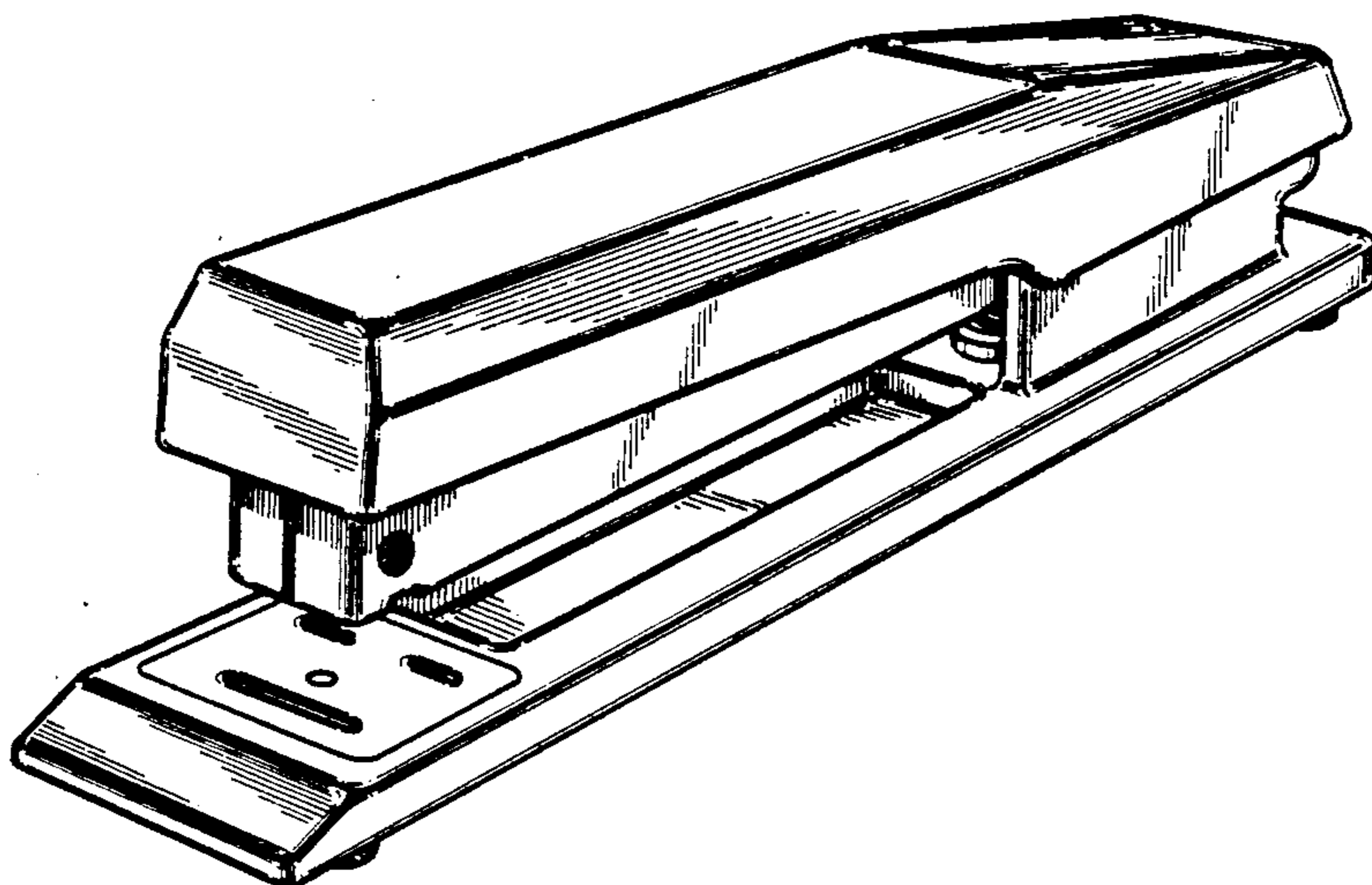


FIG-1

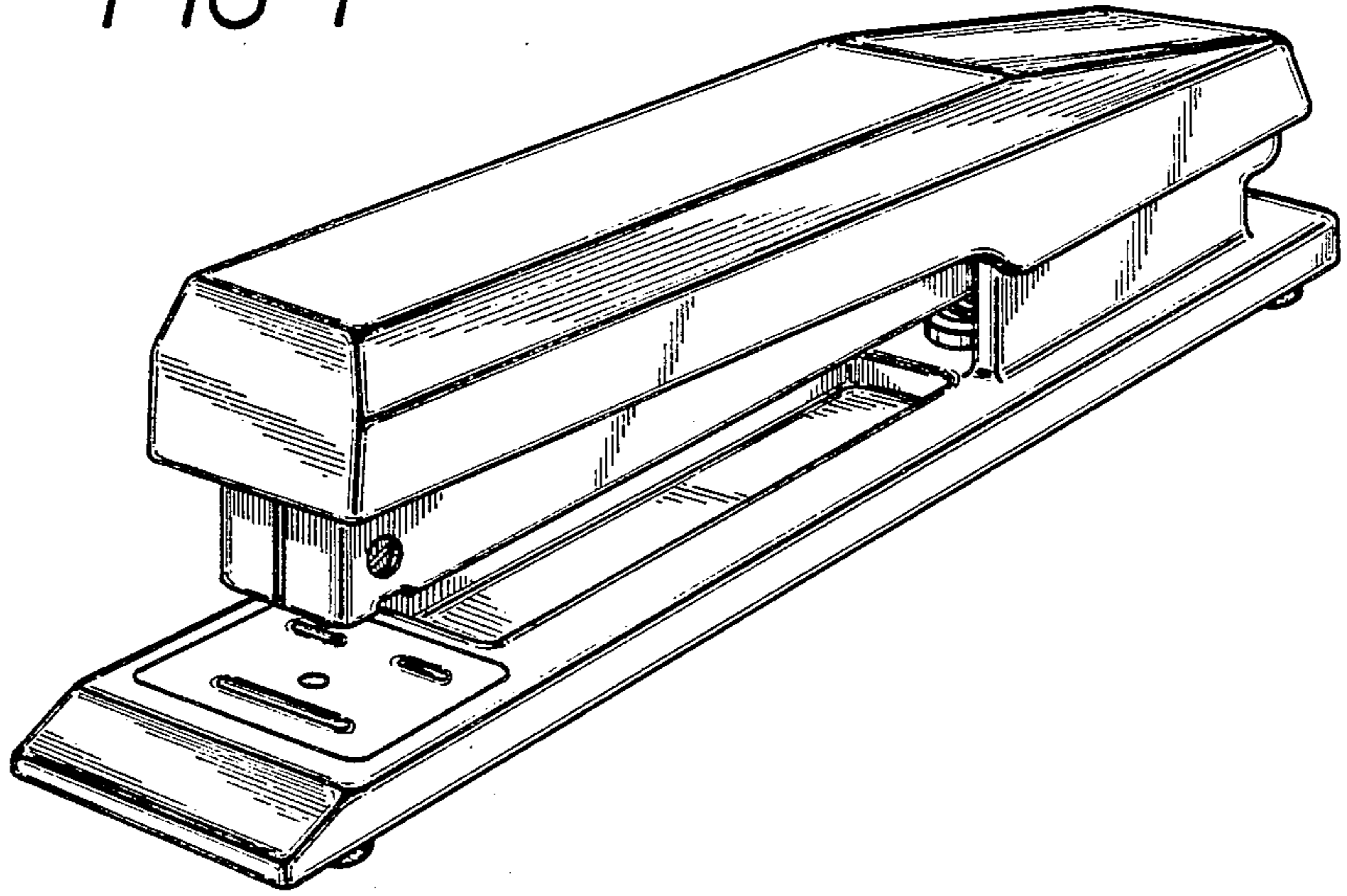


FIG-2

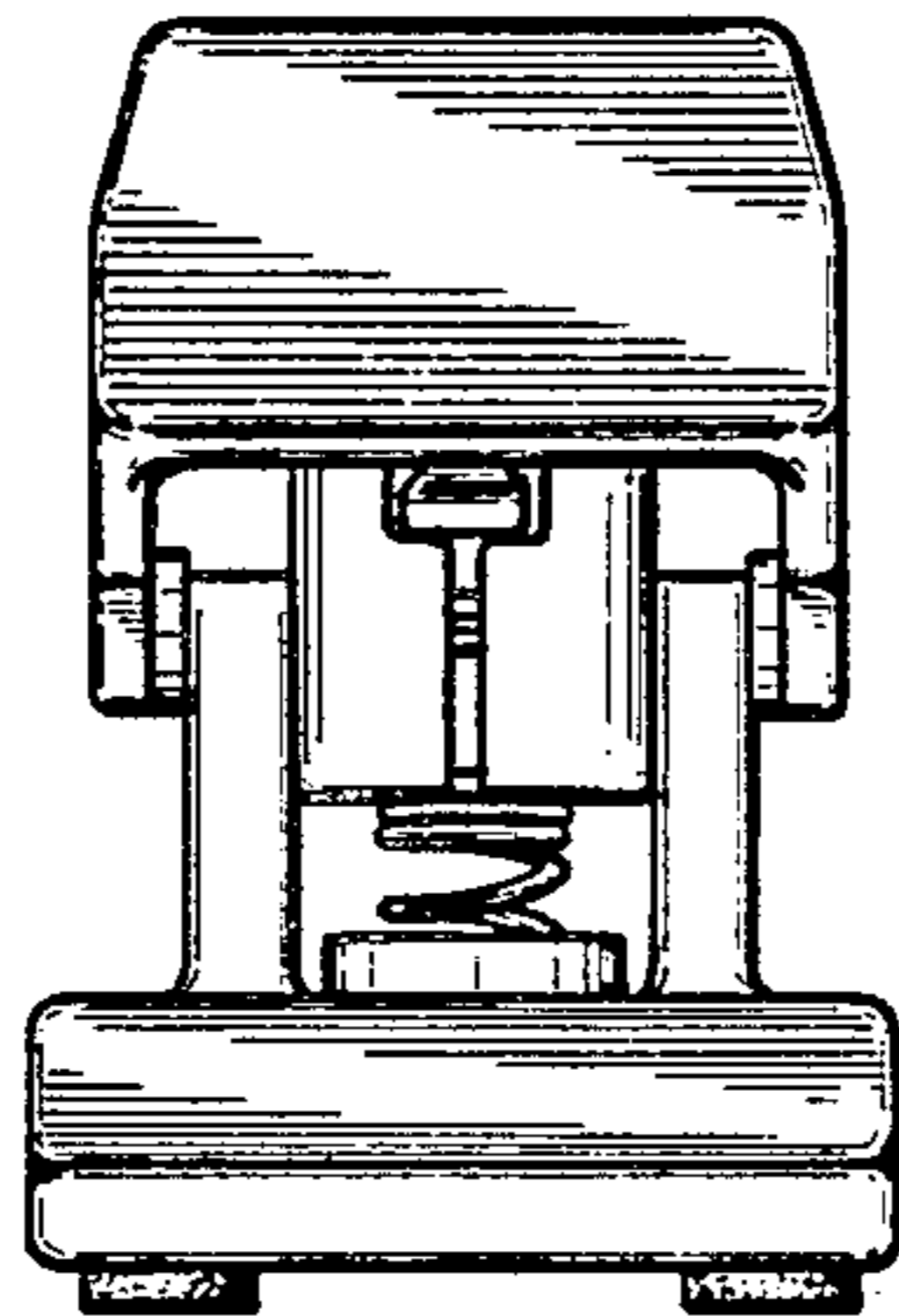


FIG-3

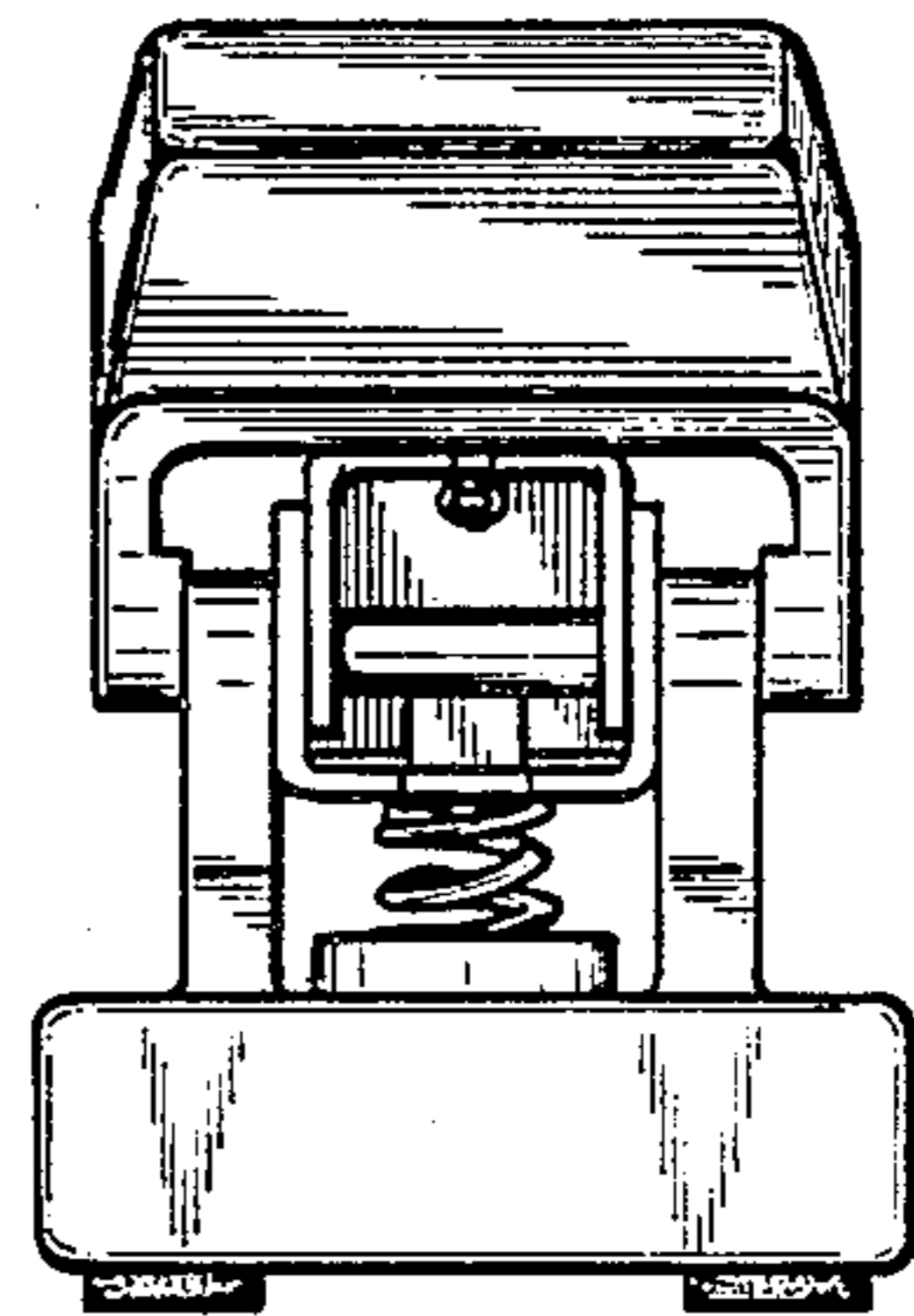


FIG-4

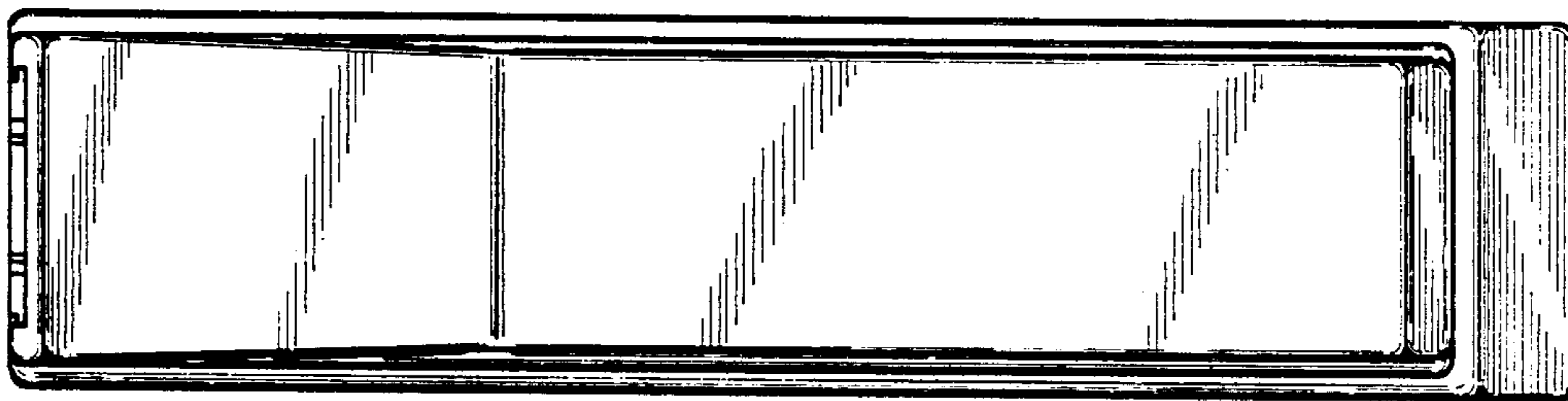


FIG-5

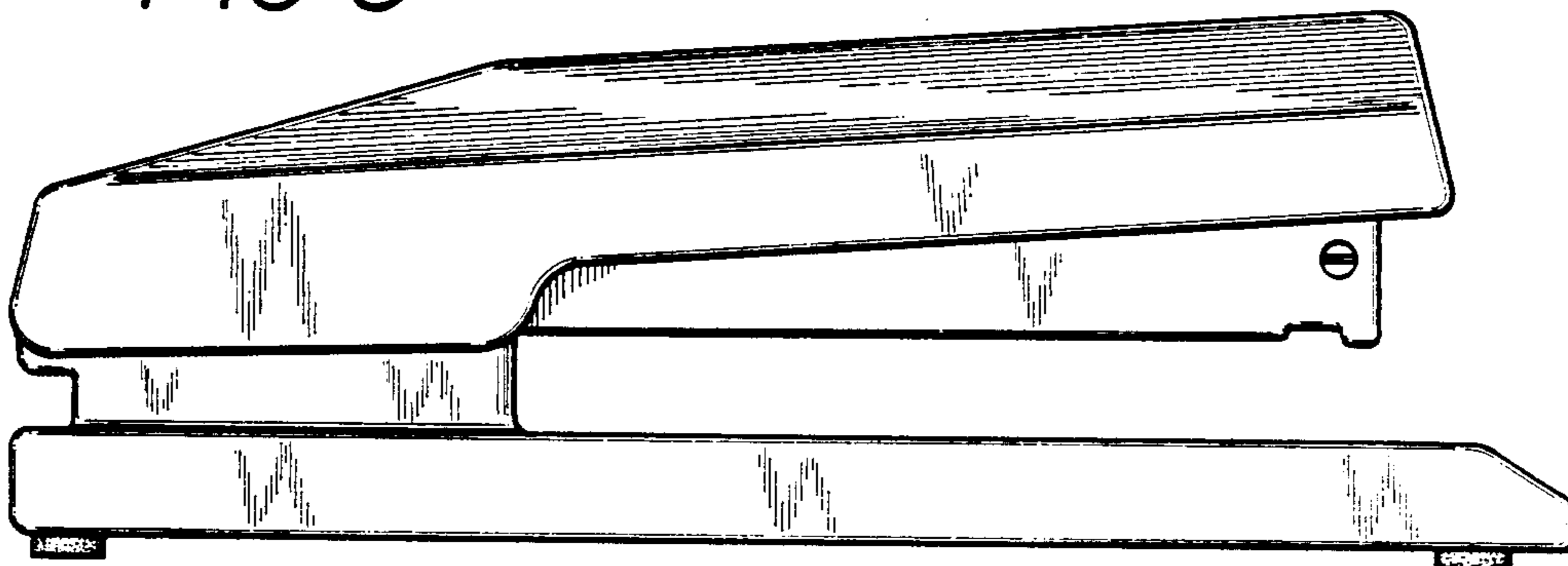


FIG-6

