

[54] CONTROL DESK FOR USE IN CONTROLLING AN INDUSTRIAL ROBOT

[75] Inventors: Akifumi Inoue, Hamamatsu; Koshiro Takeda, Hamamatsuoshi, both of Japan

[73] Assignee: Nippon Gakki Seizo Kabushiki Kaisha, Japan

[**] Term: 14 Years

[21] Appl. No.: 731,800

[22] Filed: May 8, 1985

[30] Foreign Application Priority Data

Nov. 20, 1984 [JP] Japan 59-47657

[52] U.S. Cl. D6/449; D6/397; D6/400; D6/418; D6/484

[58] Field of Search D6/397, 400, 418, 421-428, D6/477, 480, 484

[56] References Cited

U.S. PATENT DOCUMENTS

- D. 266,467 10/1982 Ylänkö D6/431
- D. 283,094 3/1986 Strand et al. D6/478
- D. 288,509 3/1987 van de Oudeweetering ... D6/431 X
- D. 288,750 3/1987 Friedman D6/431 X

Primary Examiner—Bruce W. Dunkins
Attorney, Agent, or Firm—Ostrolenk, Faber, Gerb & Soffen

[57] CLAIM

The ornamental design for a control desk for use in controlling industrial robot.

DESCRIPTION

FIG. 1 is a perspective view of a control desk for use in controlling an industrial robot showing our new design; FIG. 2 is a front view thereof; FIG. 3 is a right-side view thereof; FIG. 4 is a plan view thereof; FIG. 5 is a rear view thereof; and FIG. 6 is a left-side view thereof.

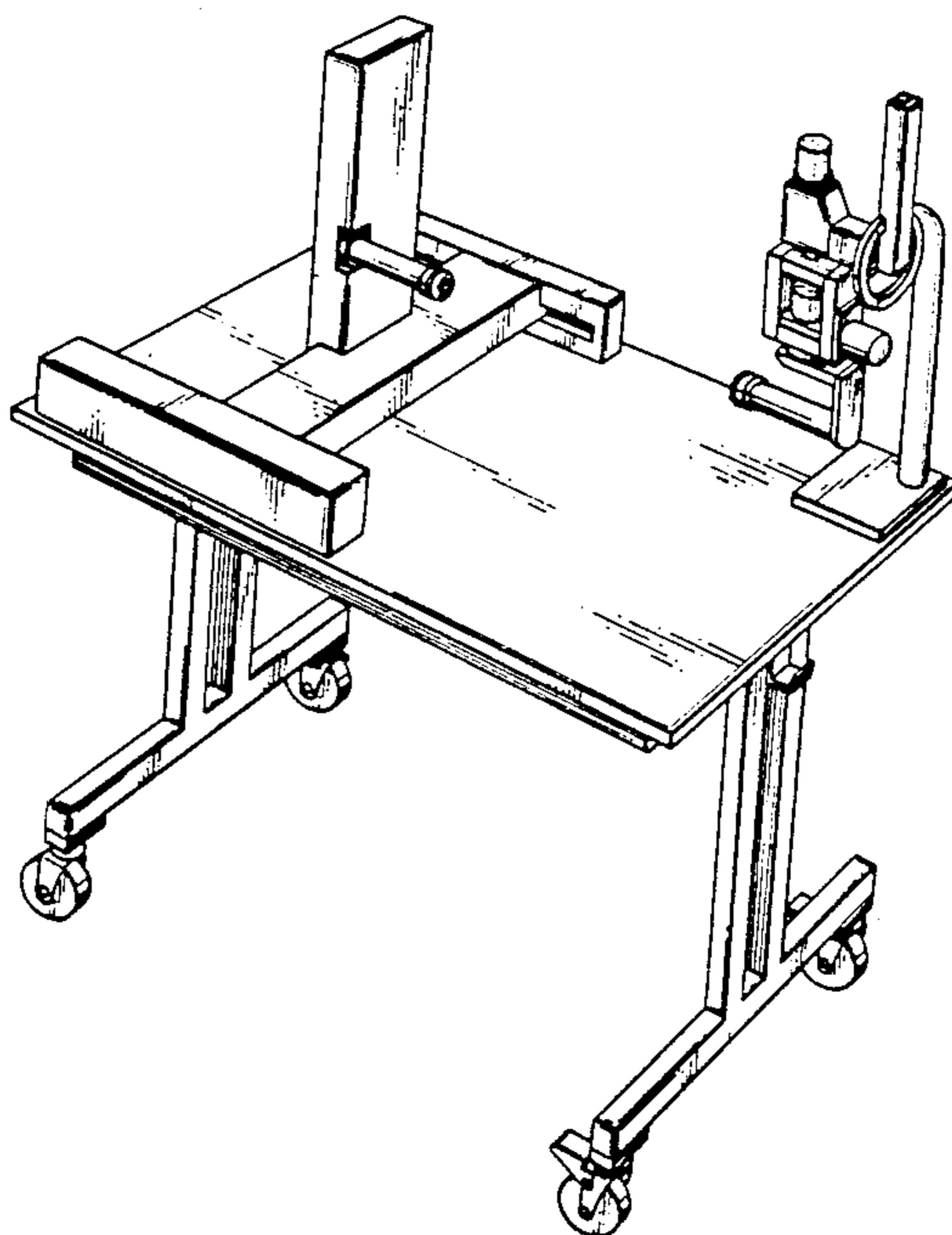


FIG. 1

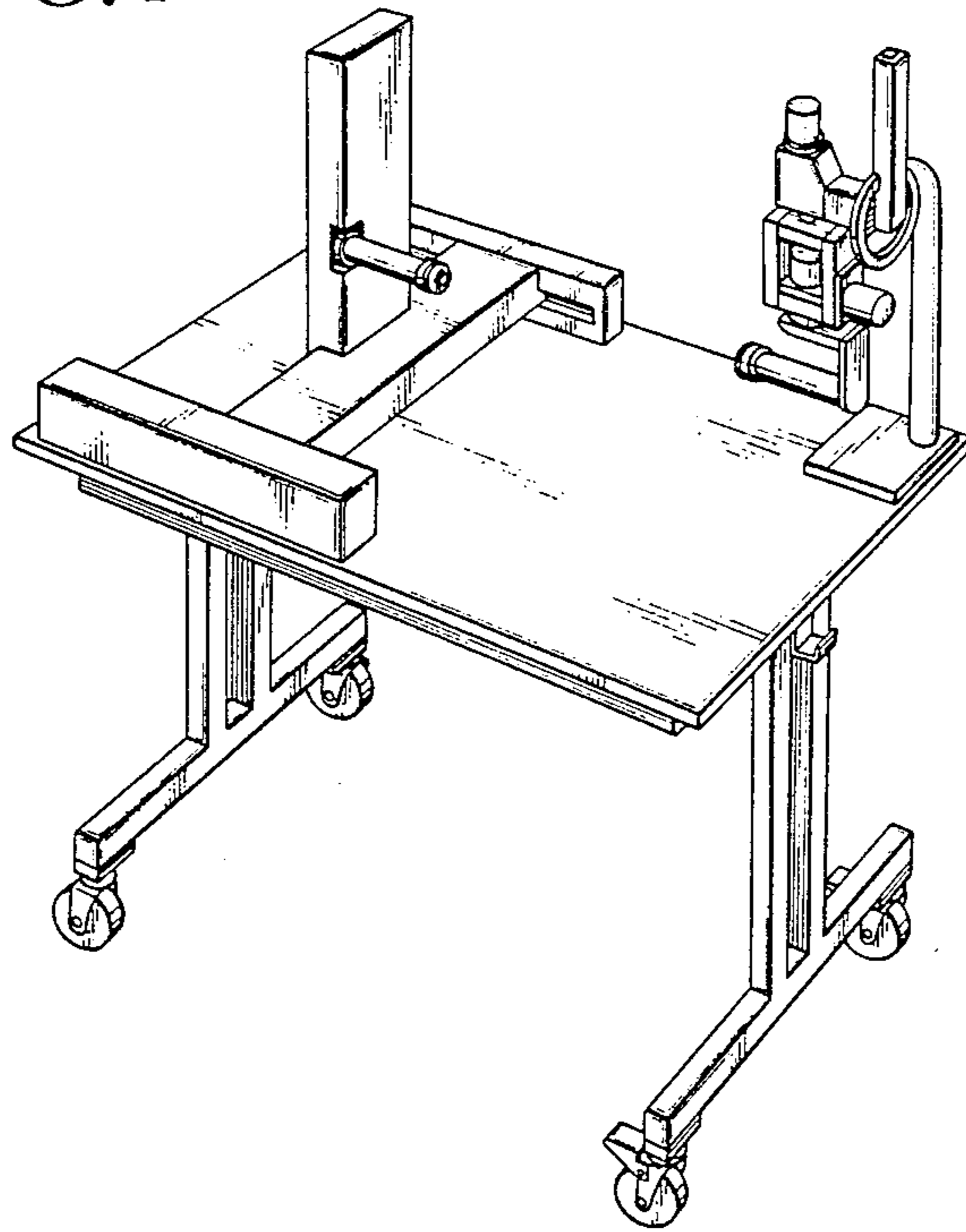


FIG. 2

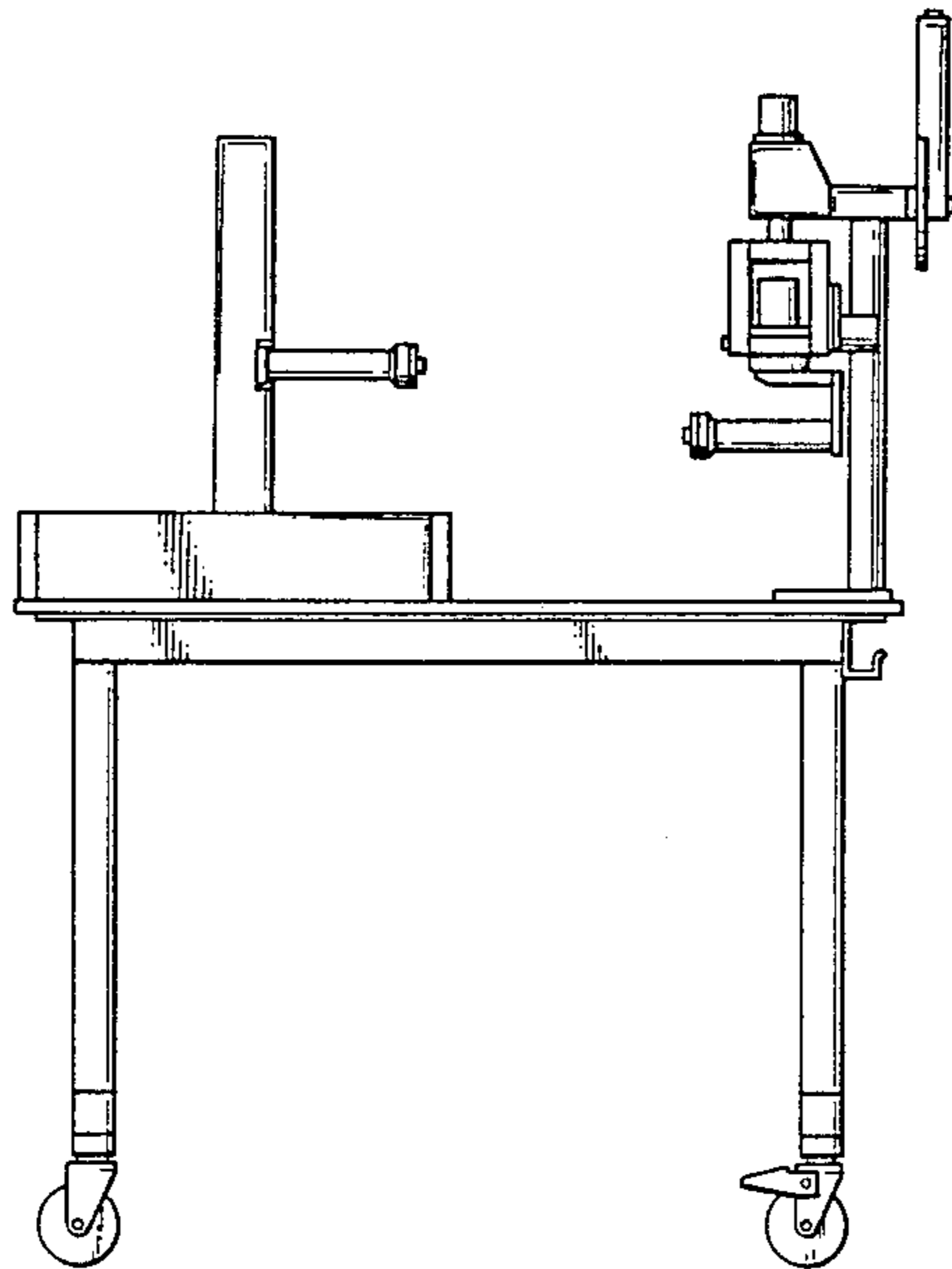


FIG. 3

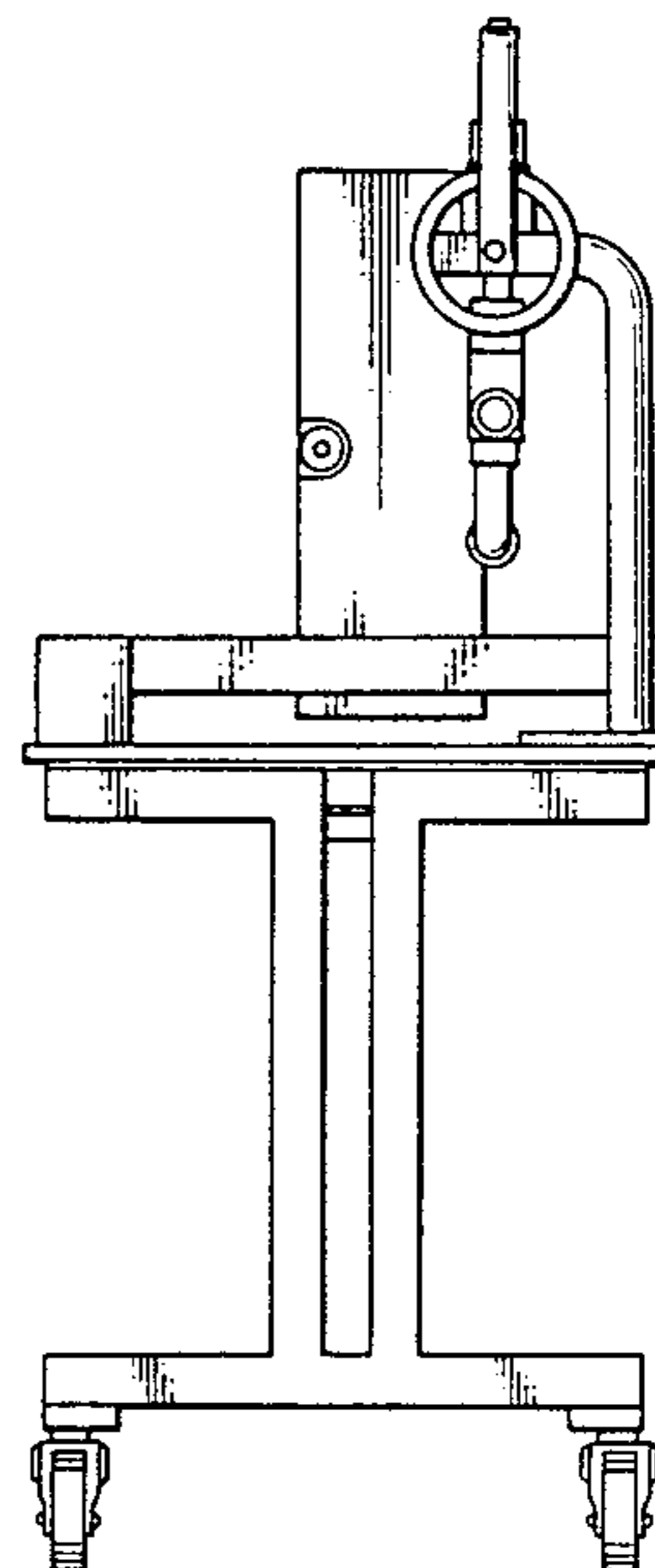


FIG. 4

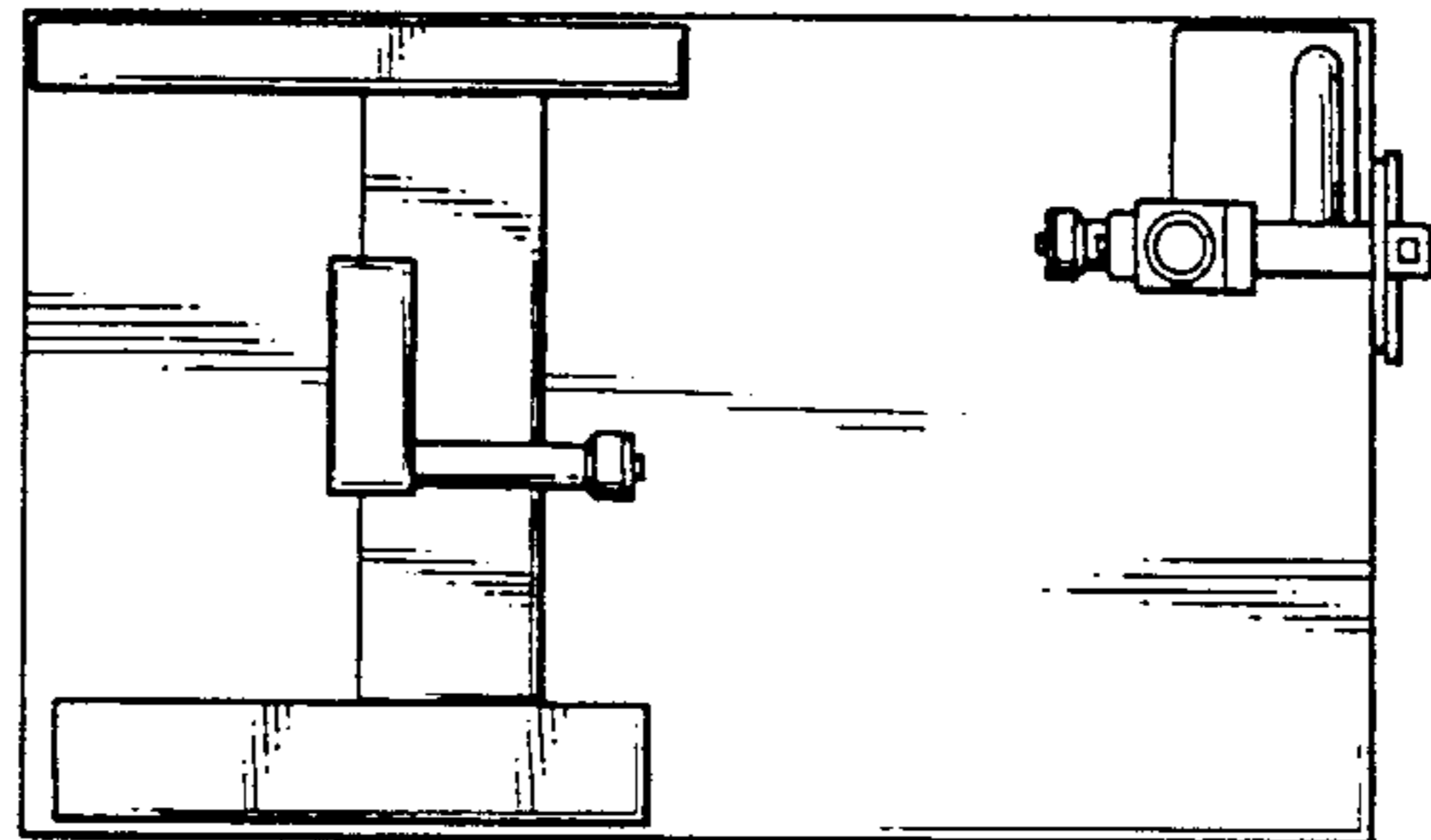


FIG. 5

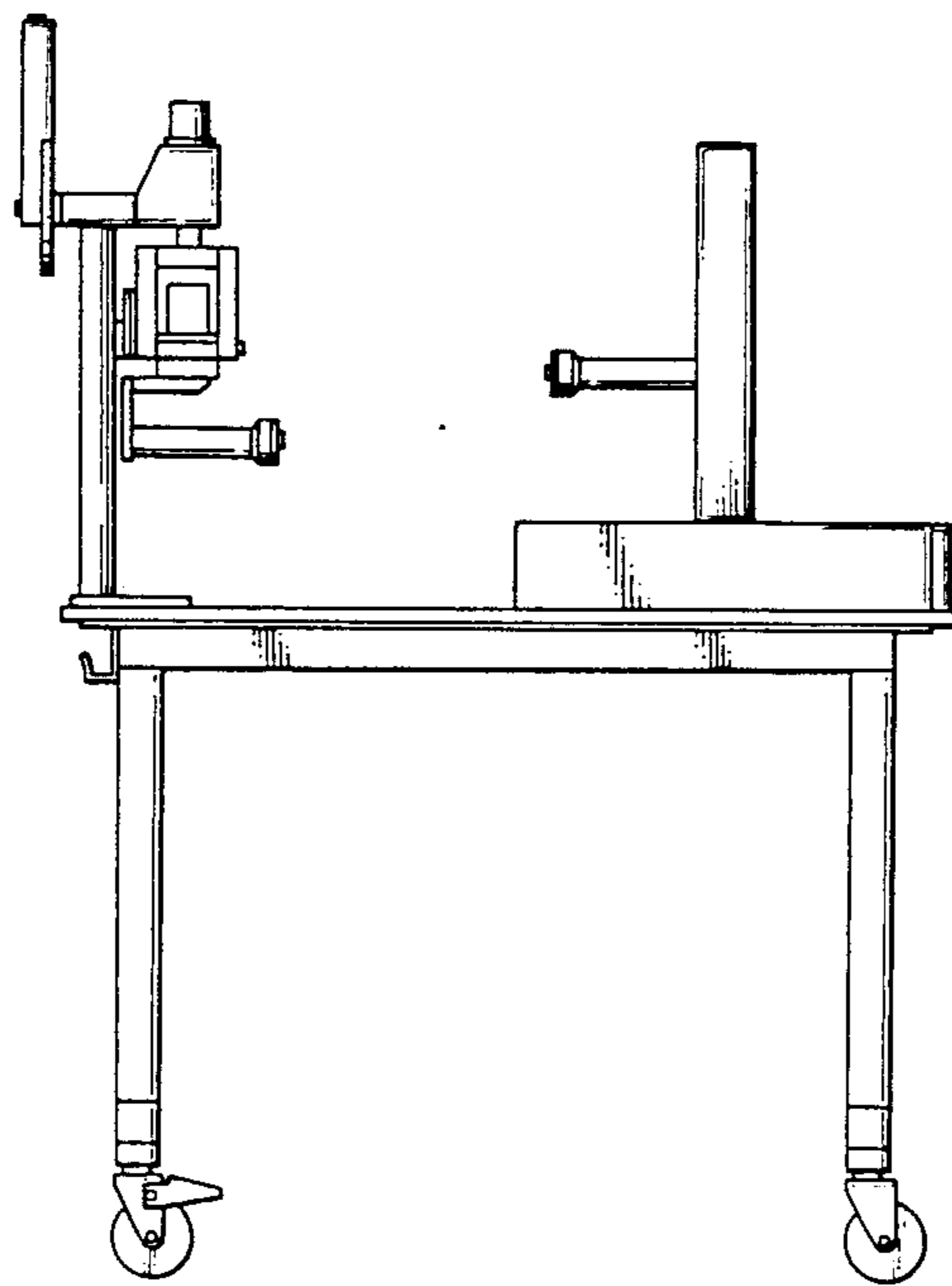


FIG. 6

