

United States Patent [19] Knight

[11] Patent Number: Des. 292,955

[45] Date of Patent: ** Dec. 1, 1987

[54] CARPET DISPLAY STAND

2,946,454 7/1960 Asher 211/45

[76] Inventor: James L. Knight, Rte. 7, Cumming,
Ga. 30130

Primary Examiner—Carmen H. Vales
Attorney, Agent, or Firm—B. J. Powell

[**] Term: 14 Years

[57] CLAIM

[21] Appl. No.: 699,121

The ornamental design for a carpet display stand, substantially as shown and described.

[22] Filed: Feb. 6, 1985

[52] U.S. Cl. D6/409

[58] Field of Search D6/409; 211/45

DESCRIPTION

[56] References Cited

U.S. PATENT DOCUMENTS

D. 112,512	12/1938	Best	D6/409
D. 185,528	6/1959	Best	D6/409
D. 194,381	1/1963	Chenot	D6/409
D. 220,664	5/1971	Wagoner	D6/409
D. 232,399	8/1974	Miles, Jr.	D6/409

FIG. 1 is a perspective view of a carpet display stand showing my new design;

FIG. 2 is a front elevational view thereof;

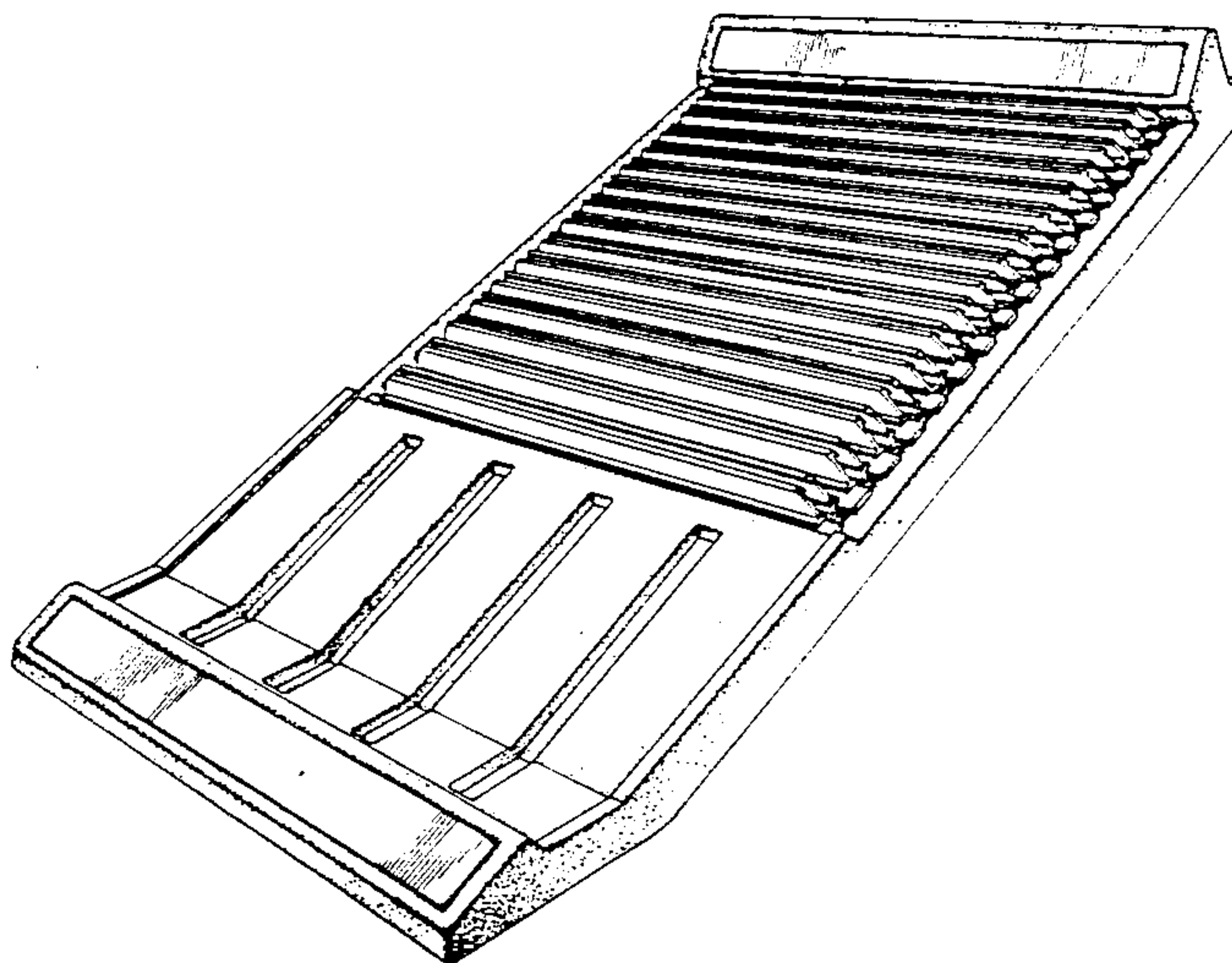
FIG. 3 is a side elevational view, the opposite side being a mirror image thereof;

FIG. 4 is a bottom plan view thereof;

FIG. 5 is a rear elevational view thereof;

FIG. 6 is a top plan view thereof; and

FIG. 7 is a cross-sectional view taken along line 7—7 of FIG. 5.



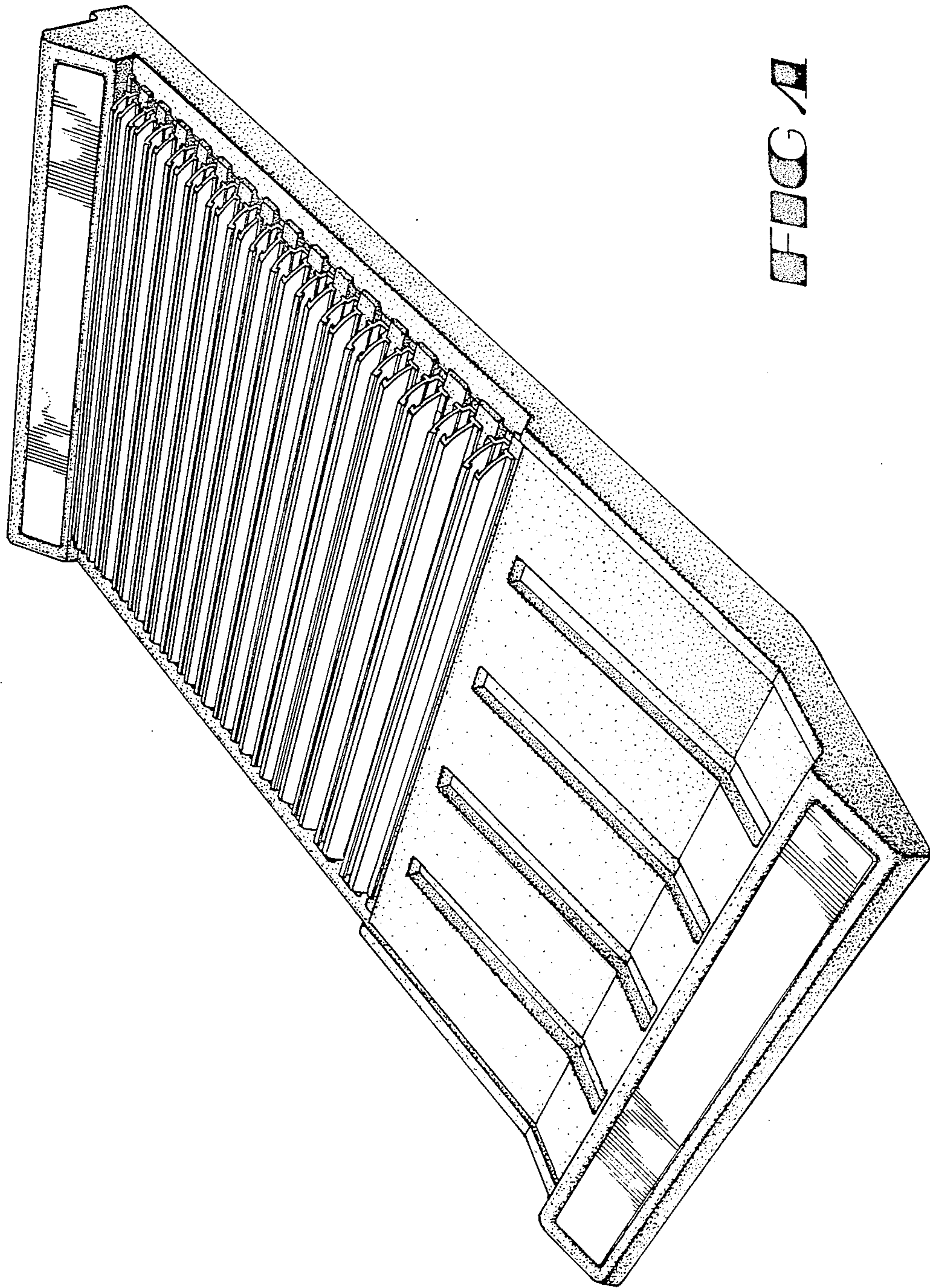


FIG. 1

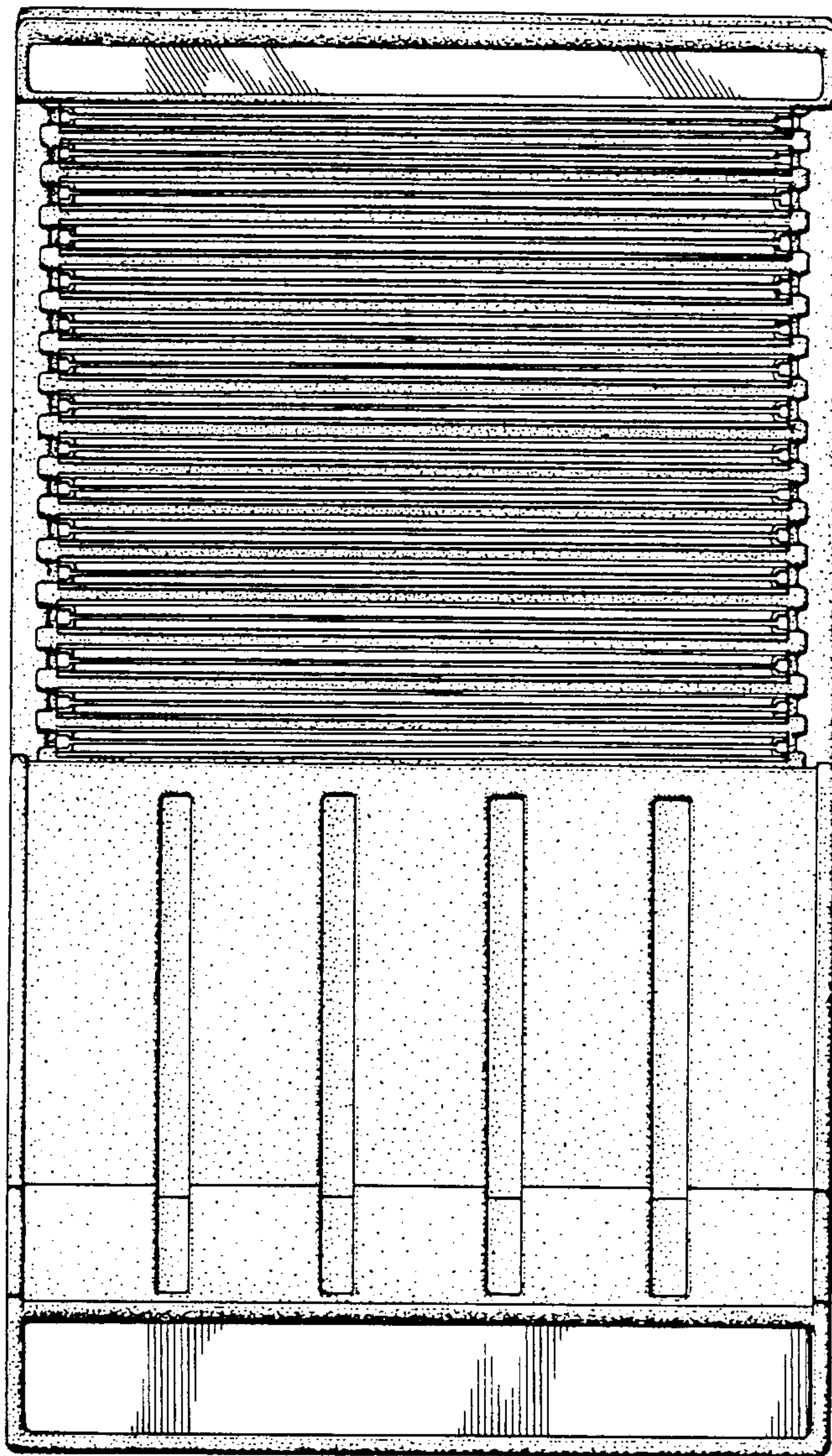


FIG 2

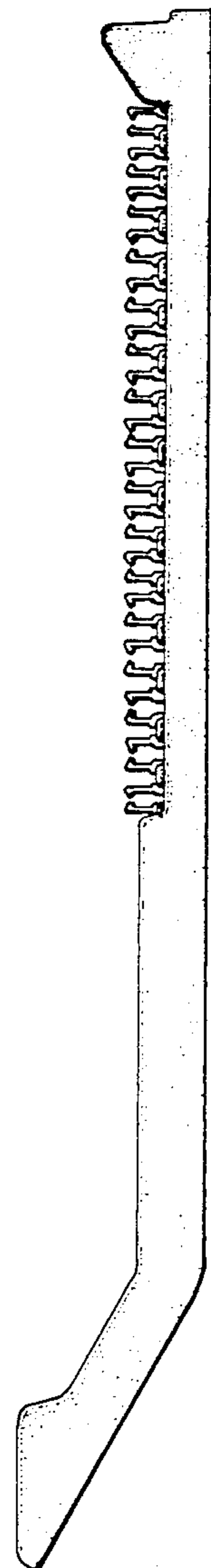


FIG 3

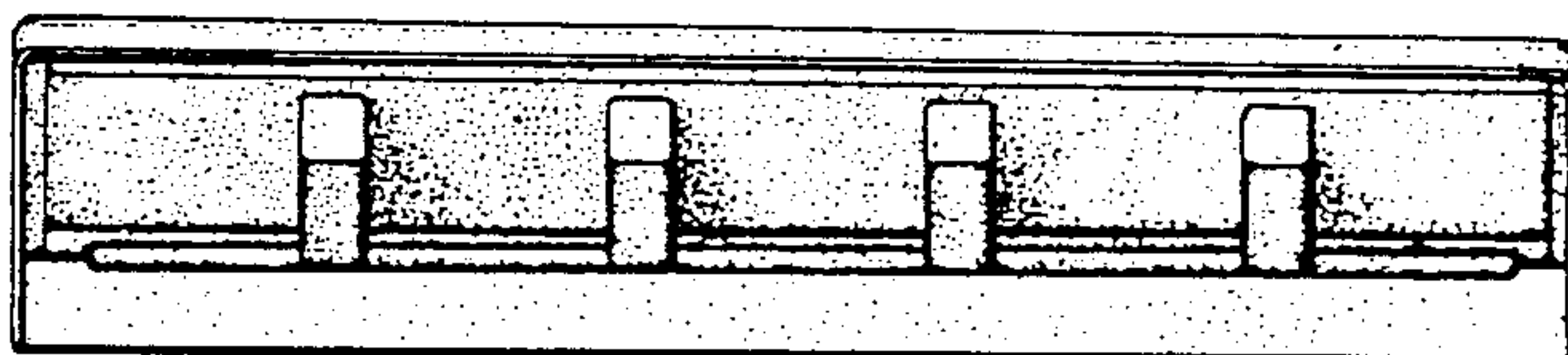


FIG 4

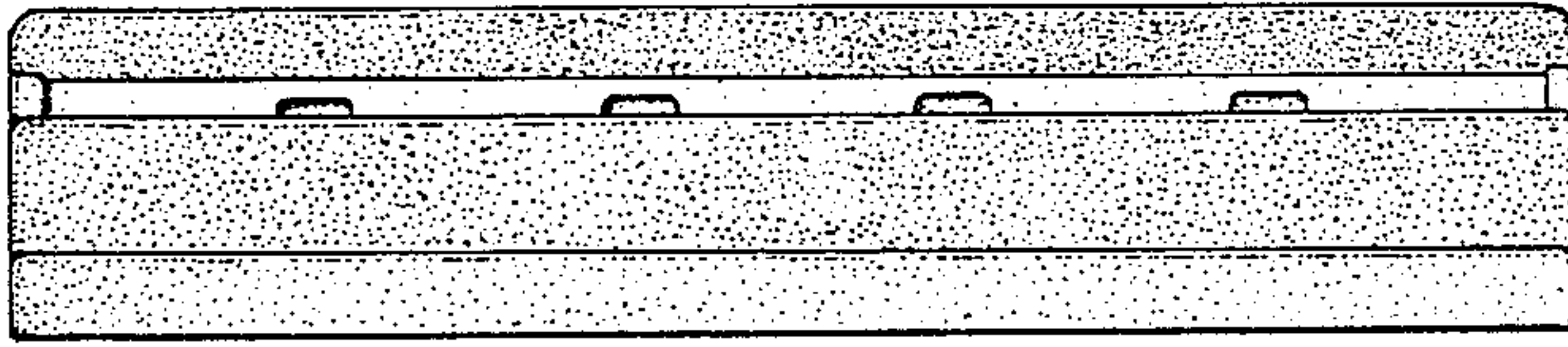


FIG 6

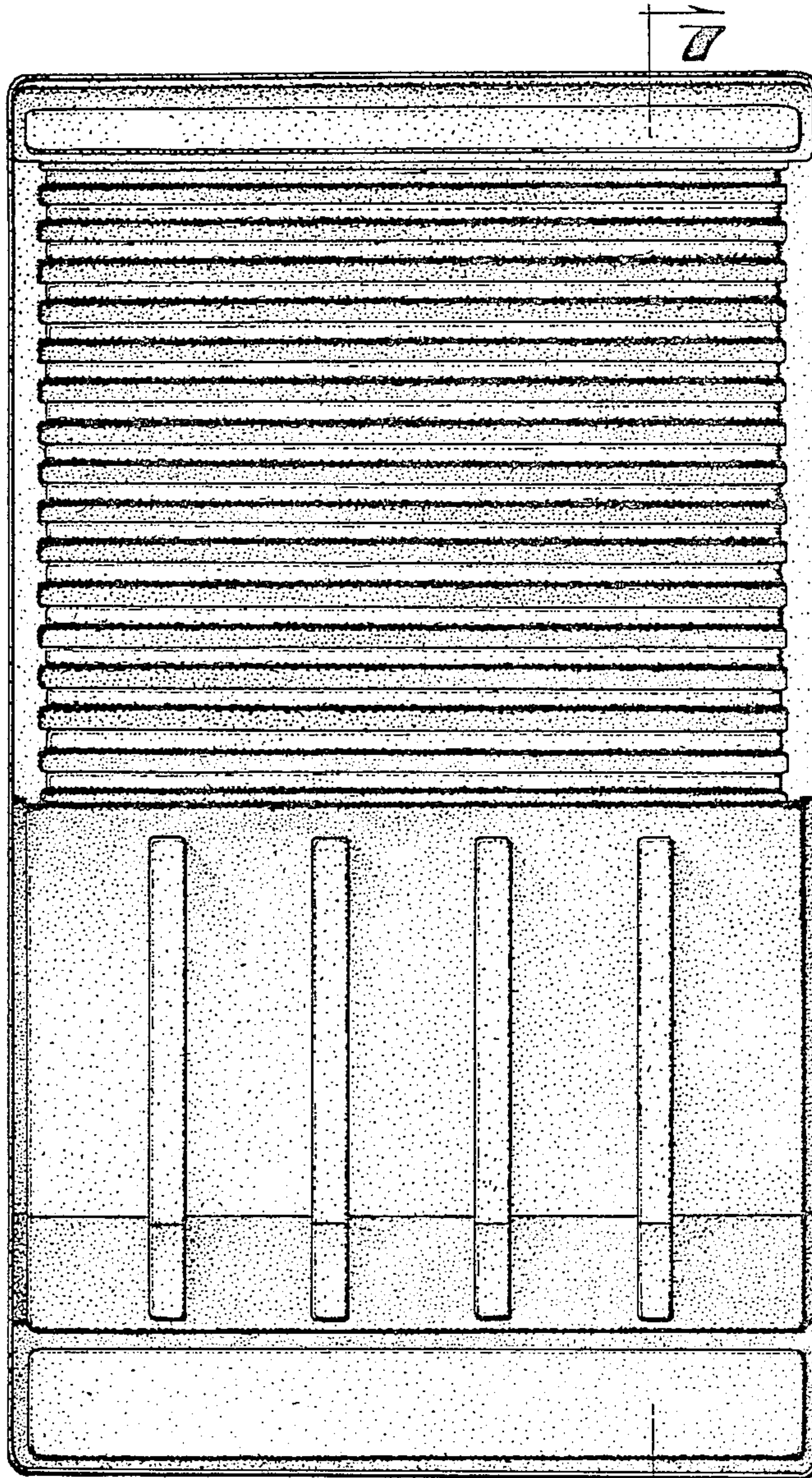


FIG 5

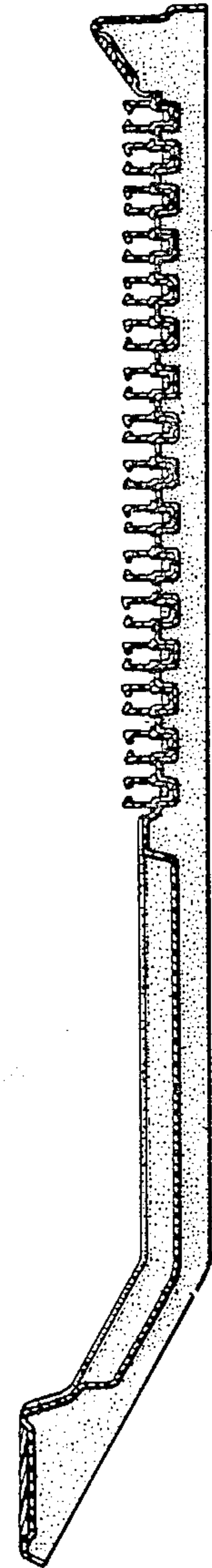


FIG 7