

**United States Patent** [19]  
**Cave**

[11] **Patent Number: Des. 292,953**

[45] **Date of Patent: \*\* Dec. 1, 1987**

[54] **PLANT STAND**

[76] **Inventor: Carol Cave, 4550 Hickory Hill Dr.,  
Stephens City, Va. 22655**

[\*\*] **Term: 14 Years**

[21] **Appl. No.: 691,936**

[22] **Filed: Jan. 16, 1985**

[52] **U.S. Cl. .... D6/405; D6/479**

[58] **Field of Search ..... D6/403, 404, 405, 477,  
D6/479, 474, 563, 486; 47/39; 108/59, 91, 102,  
103, 105, 106; 211/74, 128, 88**

[56] **References Cited**

**U.S. PATENT DOCUMENTS**

D. 260,464 9/1981 Alexander ..... D6/486  
D. 276,667 12/1984 Tracey ..... D6/563

1,749,750 3/1930 Bailey ..... 211/88  
2,951,593 9/1960 Lake ..... 108/103  
3,179,070 4/1965 Beller ..... 108/103  
4,193,351 3/1980 Belokin ..... 108/59

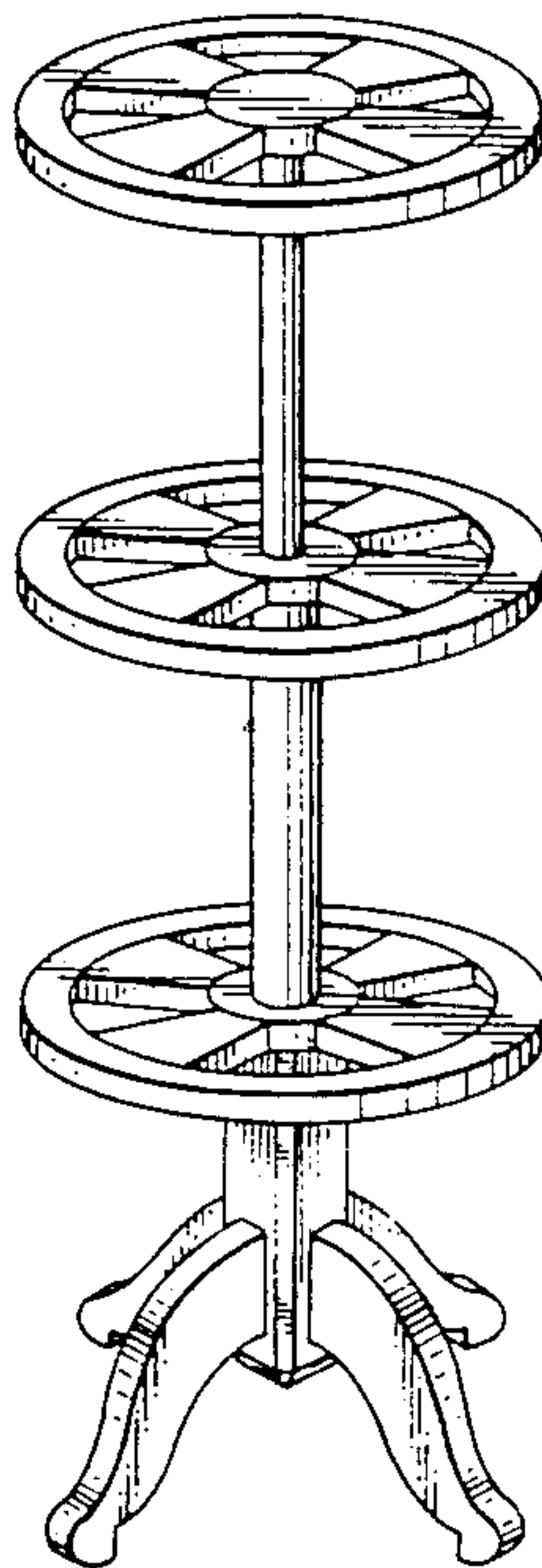
*Primary Examiner*—B. J. Bullock  
*Attorney, Agent, or Firm*—Finnegan, Henderson,  
Farabow, Garrett & Dunner

[57] **CLAIM**

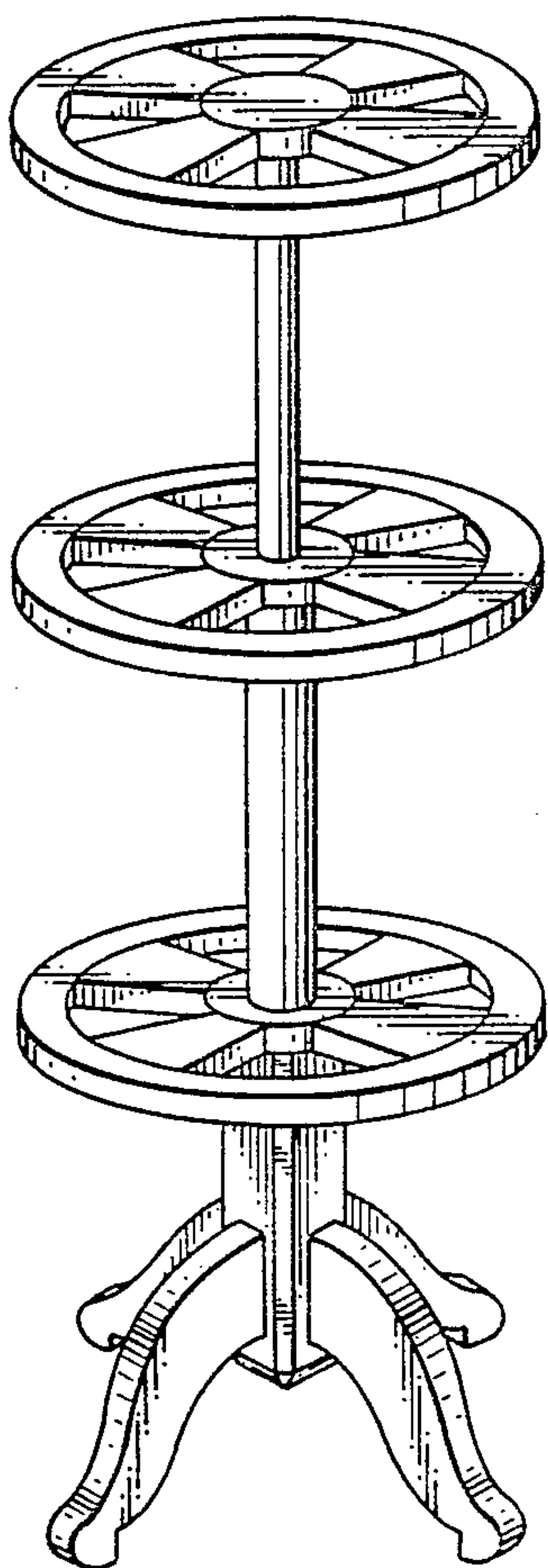
The ornamental design for a plant stand, as shown and described.

**DESCRIPTION**

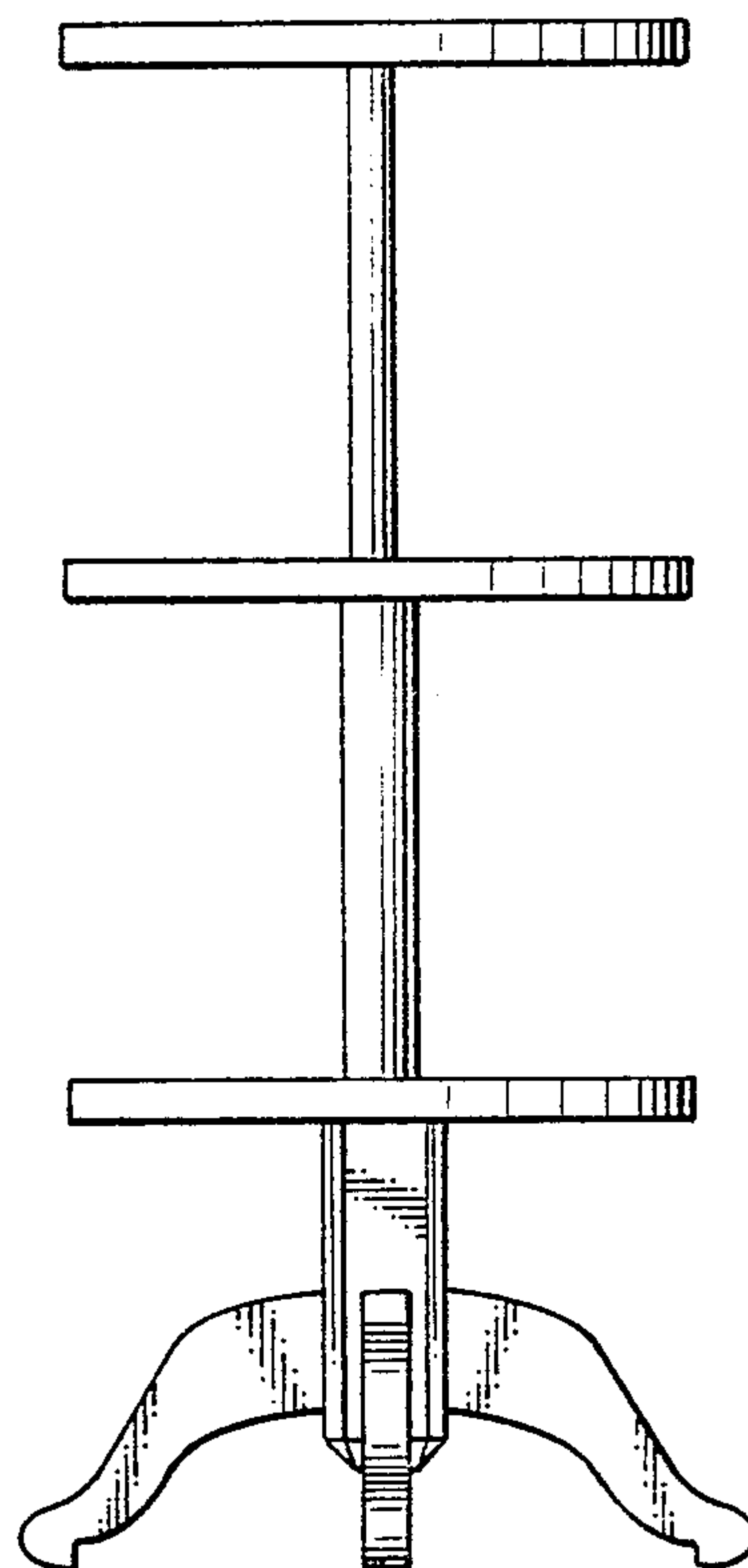
FIG. 1 is a perspective view of a plant stand showing my new design;  
FIG. 2 is a side view thereof; and  
FIG. 3 is a top view thereof, the bottom being unornamented.



*FIG. 1.*



*FIG. 2.*



*FIG. 3.*

