

United States Patent [19]

Kemp

[11] Patent Number: **Des. 292,933**

[45] Date of Patent: **** Nov. 24, 1987**

[54] GATE VALVE

[76] Inventor: **Willard E. Kemp**, 14702 Broadgreen,
Houston, Tex. 77079

[**] Term: **14 Years**

[21] Appl. No.: **529,152**

[22] Filed: **Sep. 2, 1983**

[52] U.S. Cl. **D23/244**

[58] Field of Search **D23/19-22,**
D23/38, 39; 254/326-329

[56] **References Cited**

U.S. PATENT DOCUMENTS

D. 179,791	2/1957	Williams	D23/38
D. 204,655	5/1966	Lowrey et al.	D23/38
D. 238,947	2/1976	Chilek et al.	D23/19
3,063,079	11/1962	Bergman et al.	251/326 X
3,215,157	11/1965	Anderson et al.	251/327 X
3,533,598	10/1970	Tillman III	251/327
3,557,822	1/1971	Chronister	251/328 X
3,889,925	6/1975	Brooks	251/327

3,929,316	12/1975	Guthrie	251/328 X
4,043,535	8/1977	Freeman et al.	251/329
4,222,406	9/1980	Schaefer	251/327 X
4,340,204	7/1982	Herd	251/327

OTHER PUBLICATIONS

Oil Field Composite Catalog 1980/1980, pp. 7335, 7367-7369 (WKM Catalog 80).

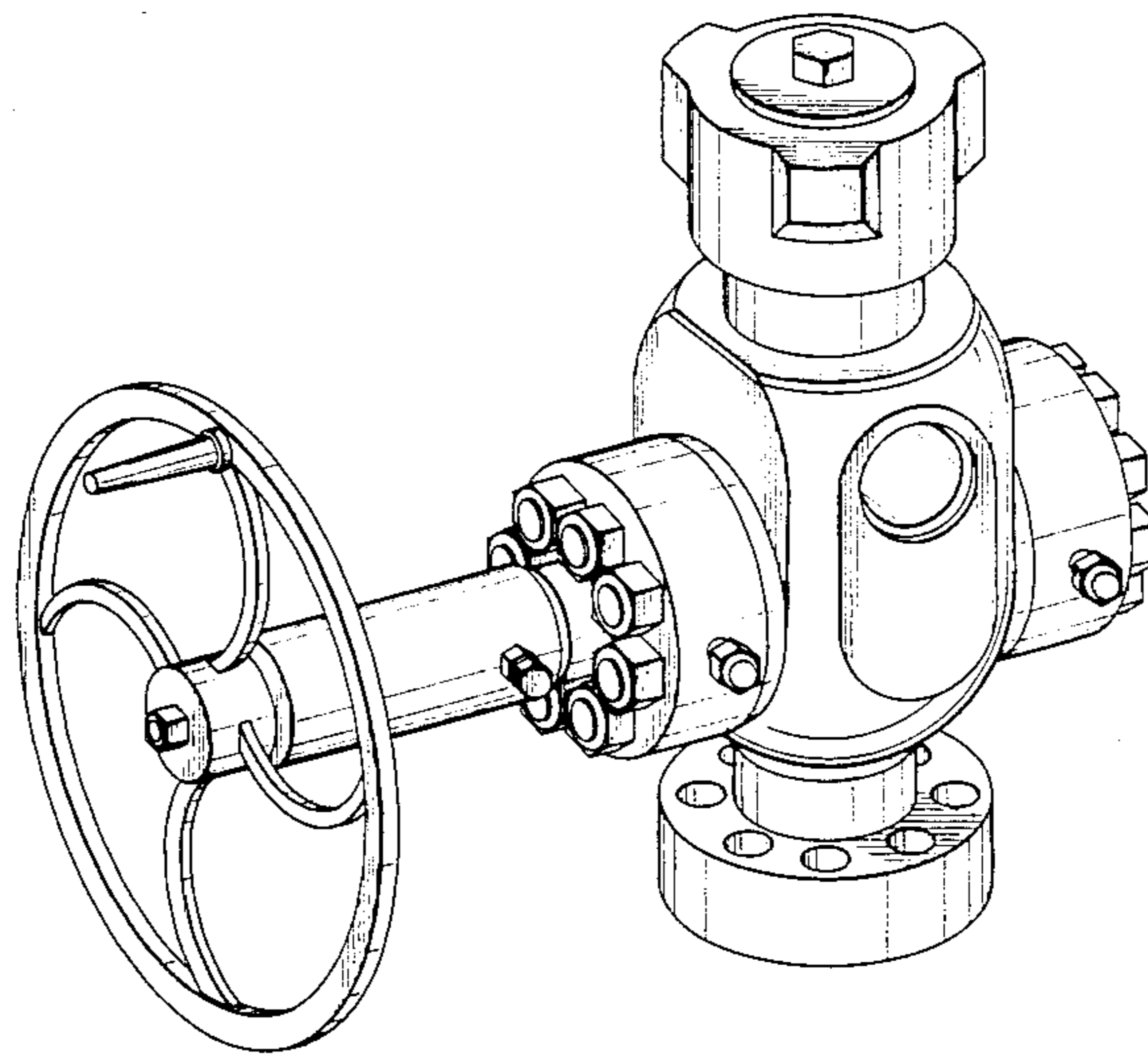
Primary Examiner—James R. Largen
Attorney, Agent, or Firm—Vaden, Eickenroht,
Thompson & Boulware

[57] **CLAIM**

The ornamental design for a gate valve, substantially as shown and described.

DESCRIPTION

FIG. 1 is a perspective view taken from the top, front and left side of a gate valve showing my new design; **FIG. 2** is a perspective view taken from the top, rear and right side thereof; **FIG. 3** is a bottom plan view thereof; and **FIG. 4** is a left side elevational view thereof.



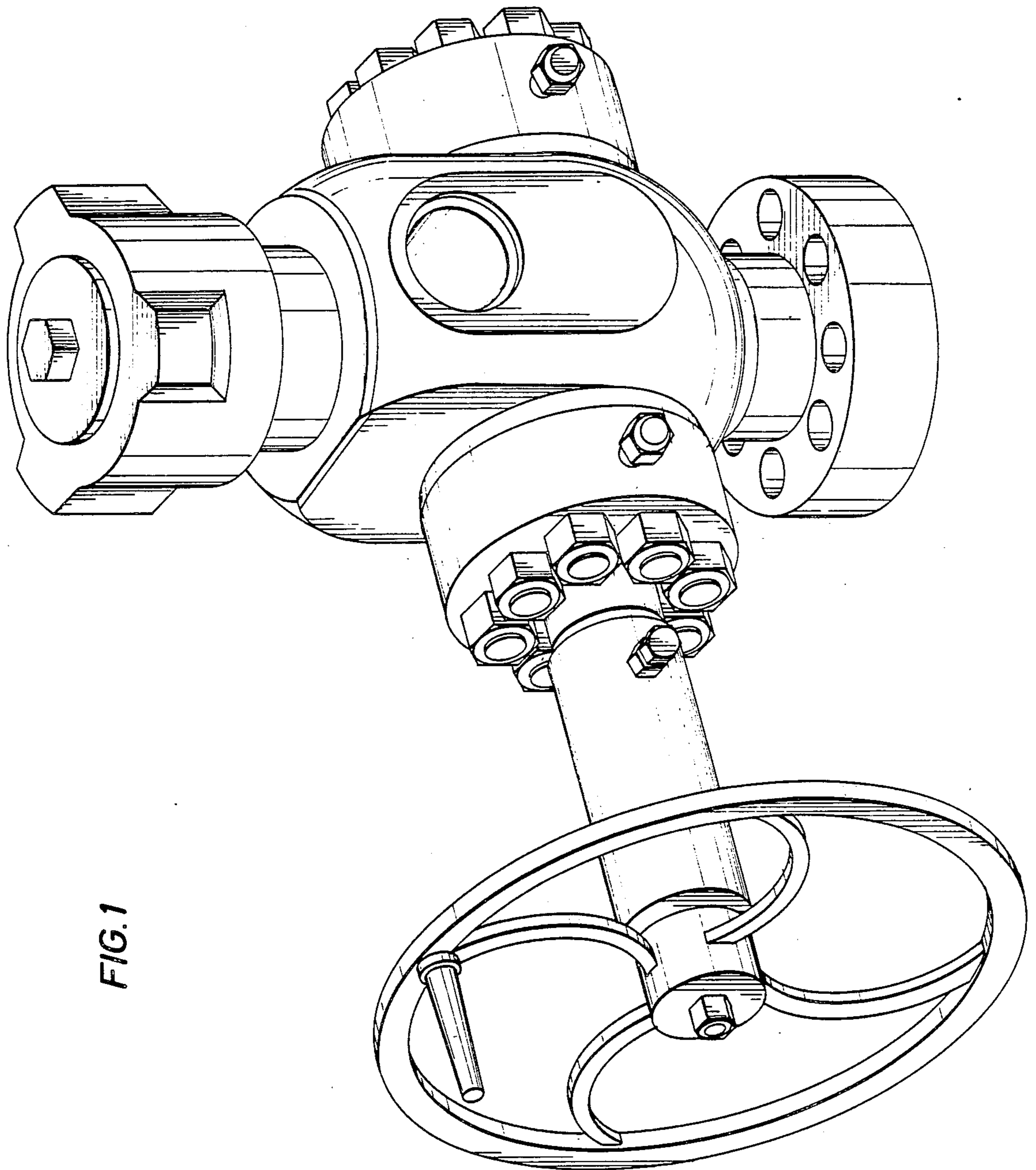


FIG. 1

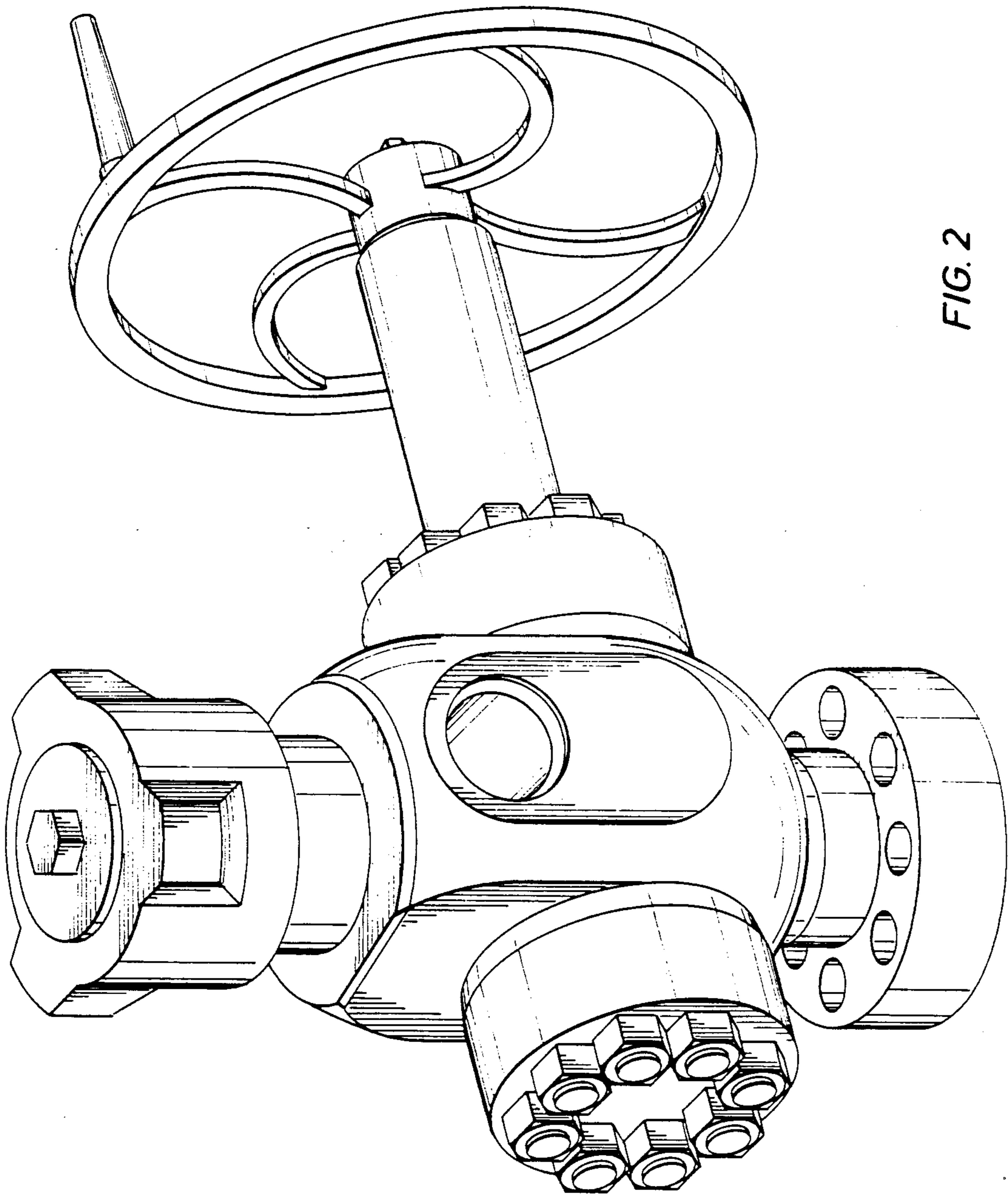


FIG. 2

FIG. 3

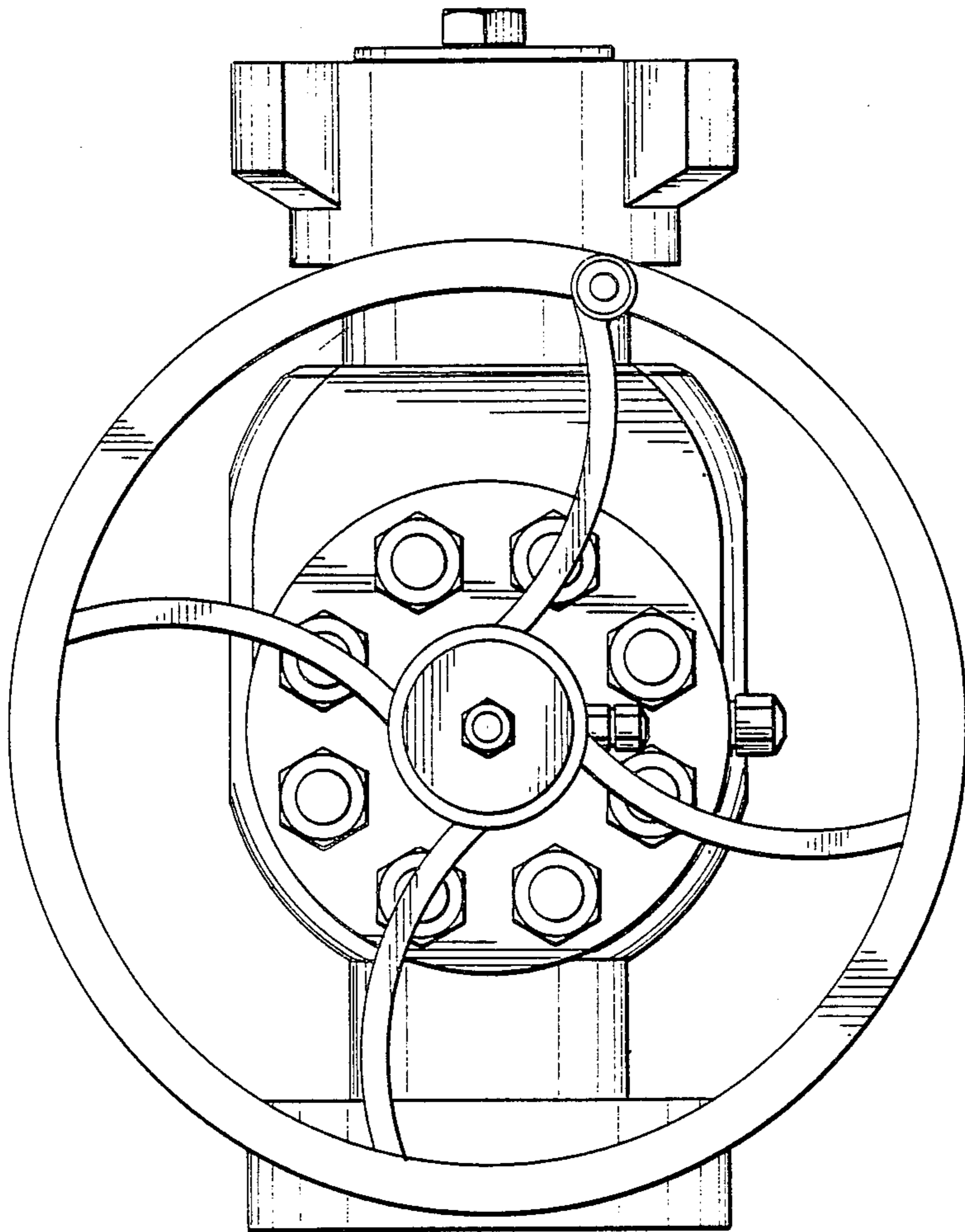
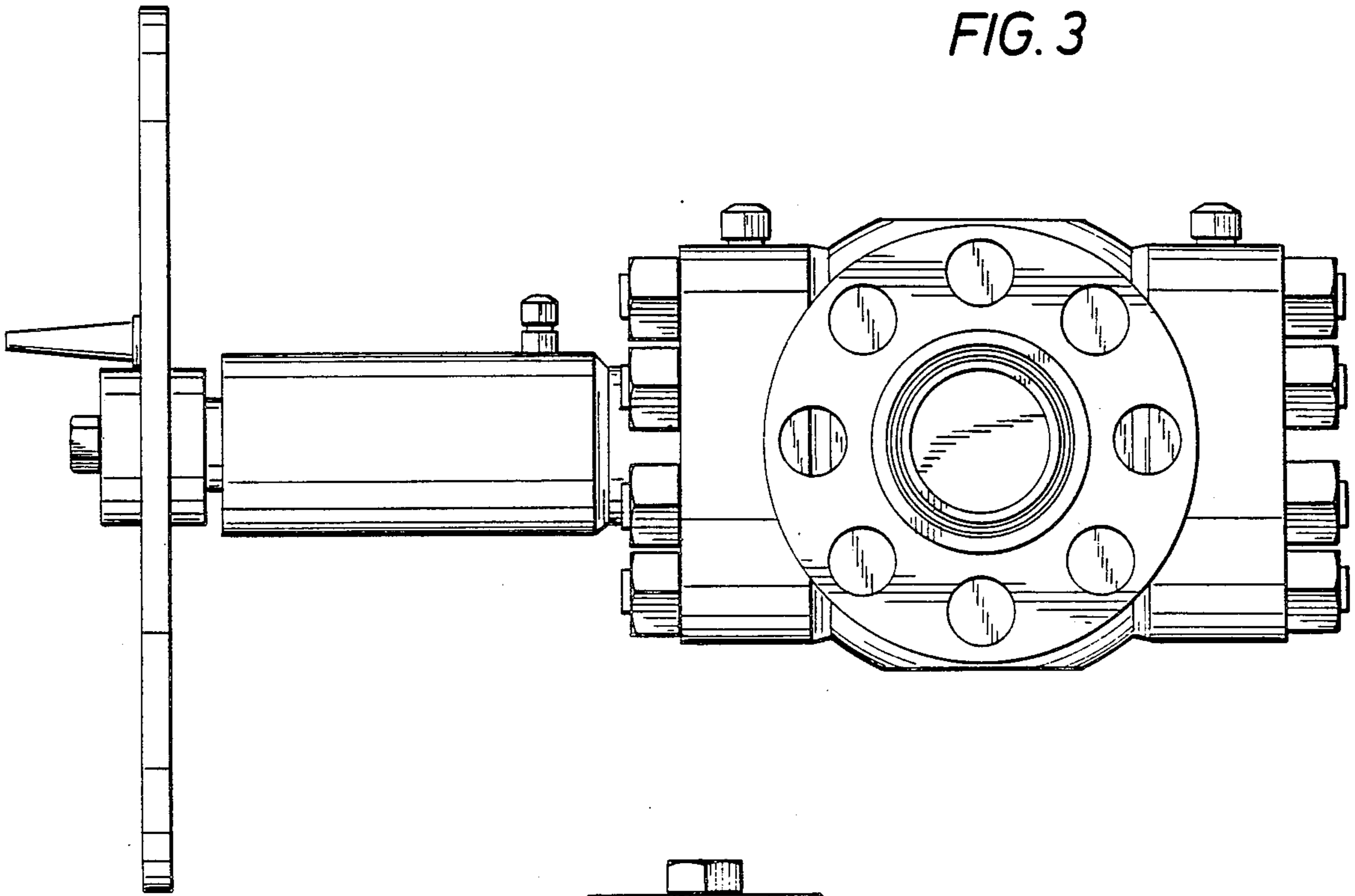


FIG. 4