

**United States Patent** [19]  
**McGinley**

[11] **Patent Number: Des. 292,932**

[45] **Date of Patent: \*\* Nov. 24, 1987**

[54] **DEMONSTRATION DEVICE**

3,775,865 12/1973 Rowan ..... 434/262  
4,058,910 11/1977 Funk ..... 434/272 X

[75] **Inventor: Joseph A. McGinley, Colchester, Conn.**

*Primary Examiner*—Bernard Ansher  
*Assistant Examiner*—Theodore M. Shooman  
*Attorney, Agent, or Firm*—Donal B. Tobin

[73] **Assignee: Codman & Shurtleff Inc., Randolph, Mass.**

[57] **CLAIM**

[\*\*] **Term: 14 Years**

The ornamental design for a demonstration device, as shown and described.

[21] **Appl. No.: 670,512**

[22] **Filed: Nov. 13, 1984**

**DESCRIPTION**

[52] **U.S. Cl. .... D19/62; 434/272**

FIG. 1 is a top, front and right side perspective view of a demonstration device showing my new design;

[58] **Field of Search .... D19/59, 60, 62, 64;**

FIG. 2 is a top plan view thereof;

434/262, 272

FIG. 3 is a front elevational view thereof;

FIG. 4 is a bottom plan view thereof;

FIG. 5 is a rear elevational view thereof;

FIG. 6 is a right side elevational view thereof; and

FIG. 7 is an exploded top, front and right side perspective view thereof.

[56] **References Cited**

**U.S. PATENT DOCUMENTS**

D. 216,364 12/1969 Benz ..... D19/62  
3,579,858 5/1971 Bentov ..... 434/272

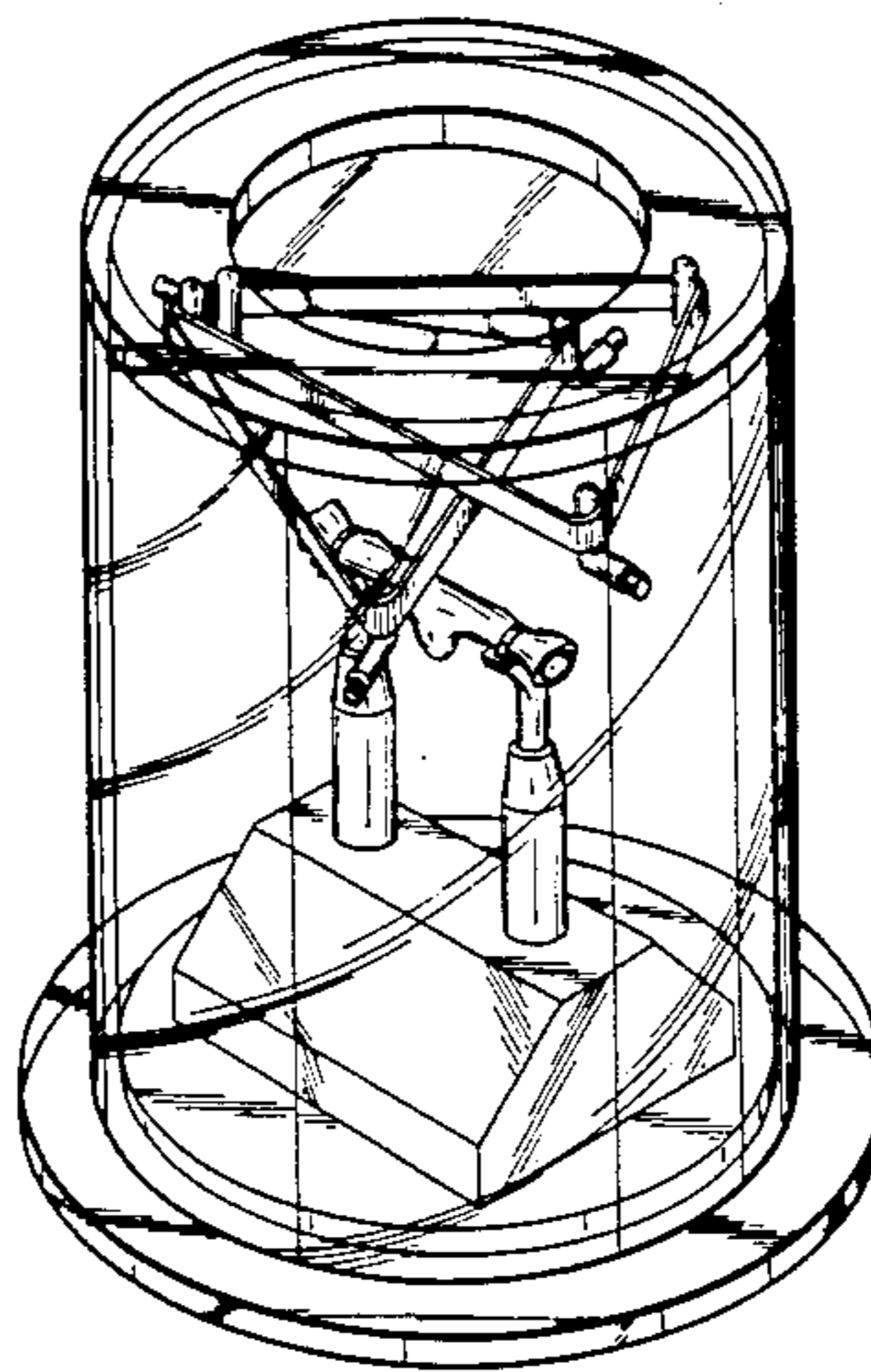


FIG-1

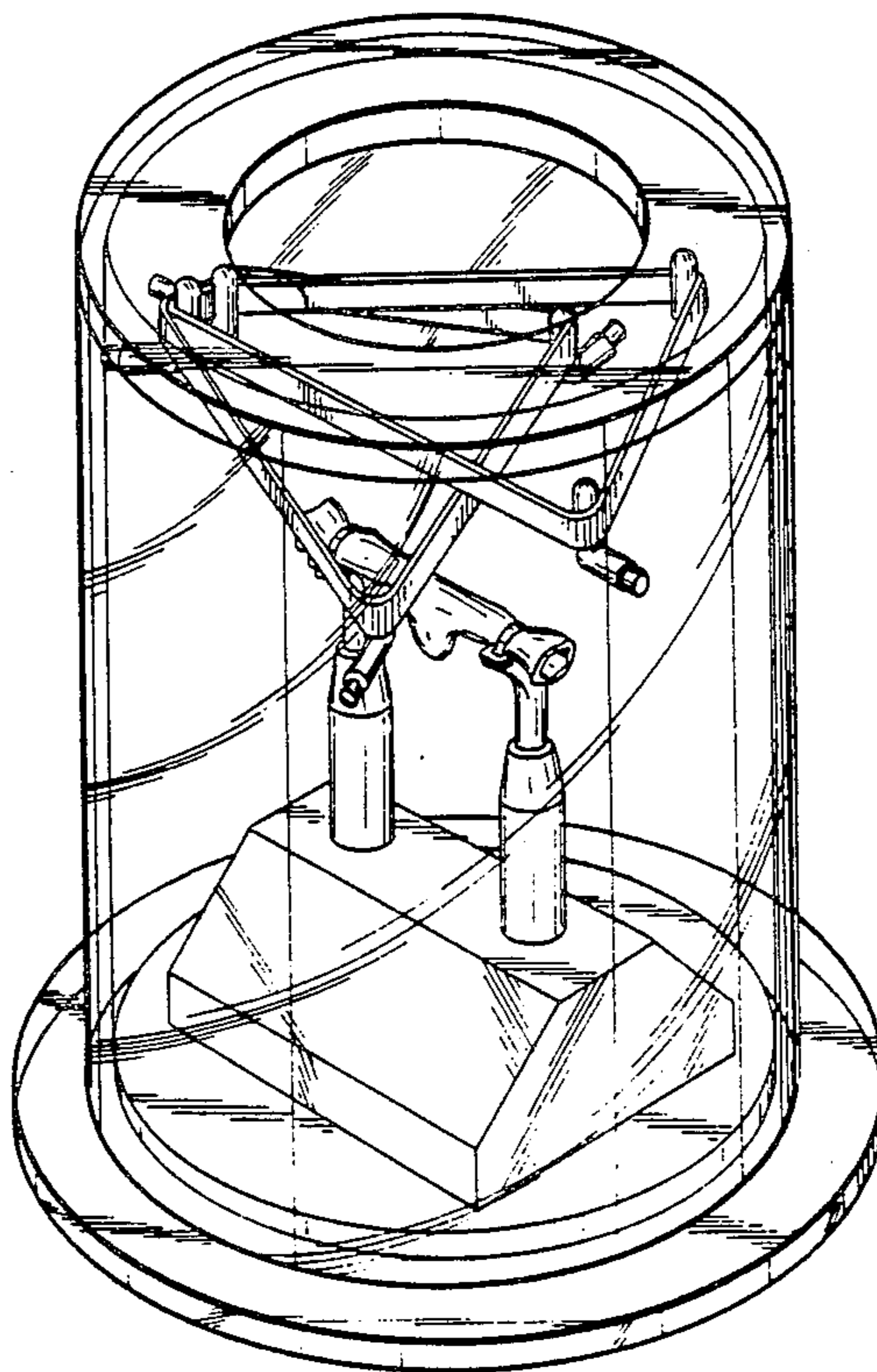


FIG-2

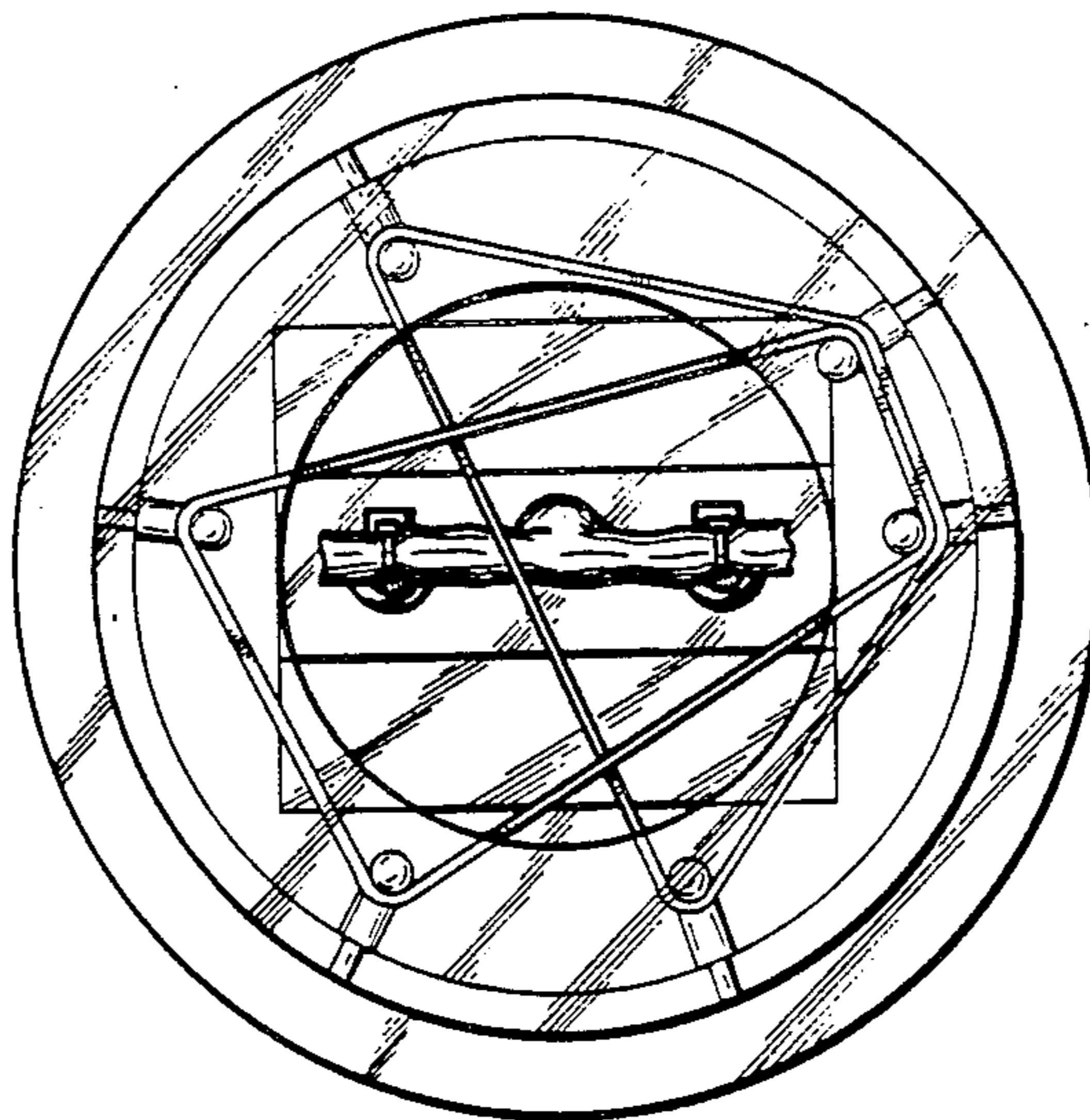


FIG-3

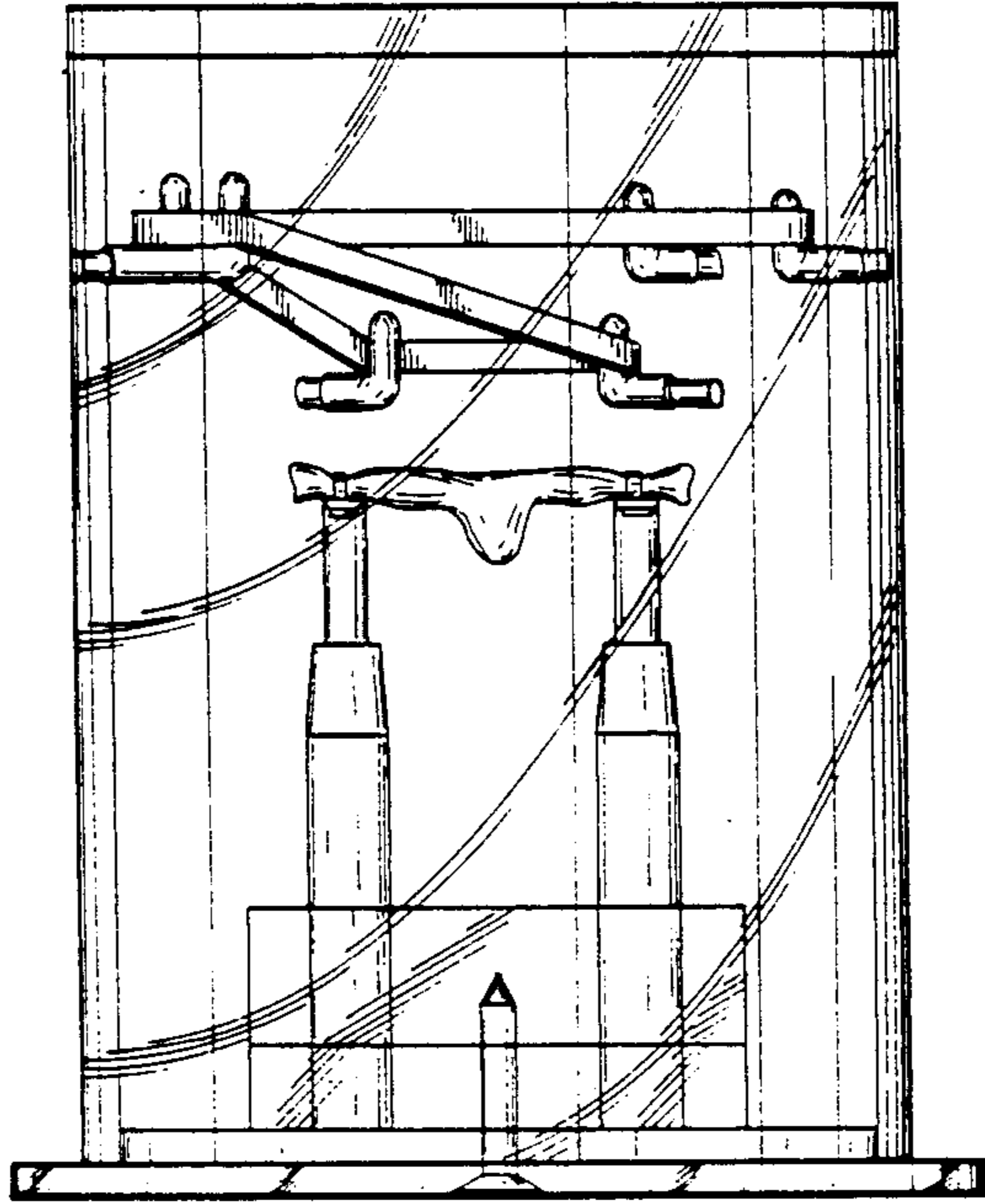


FIG-4

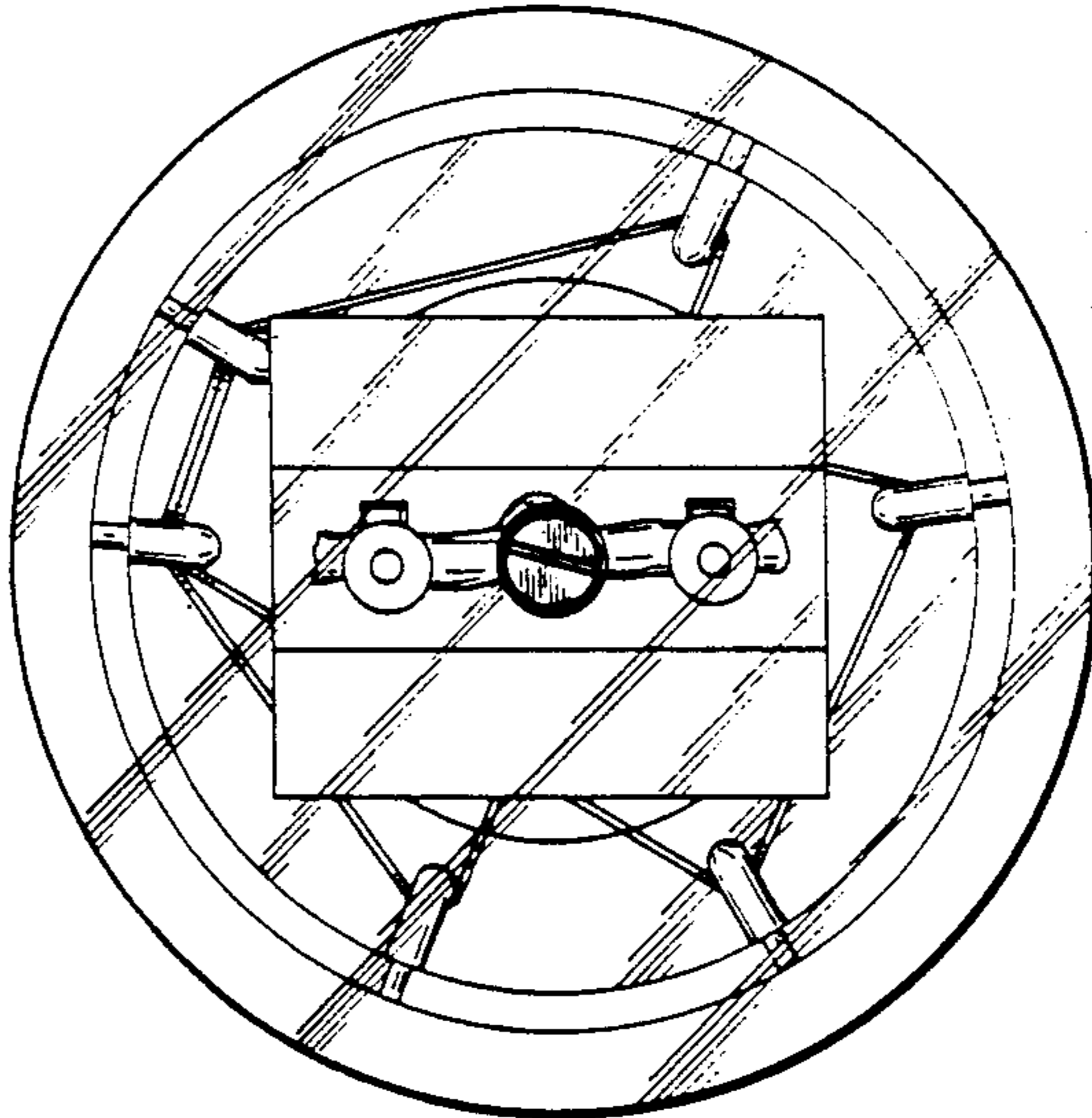


FIG-5

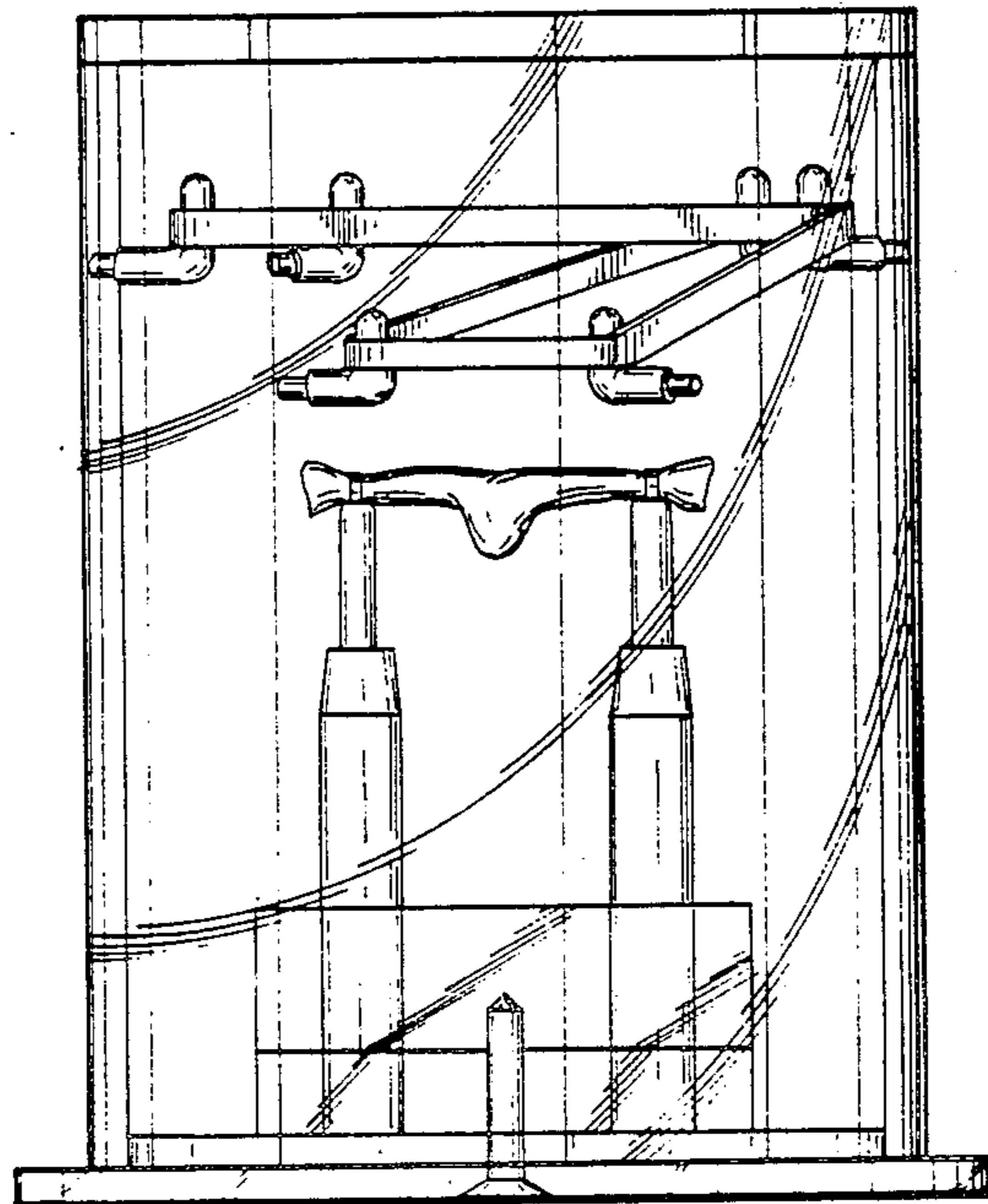


FIG-6

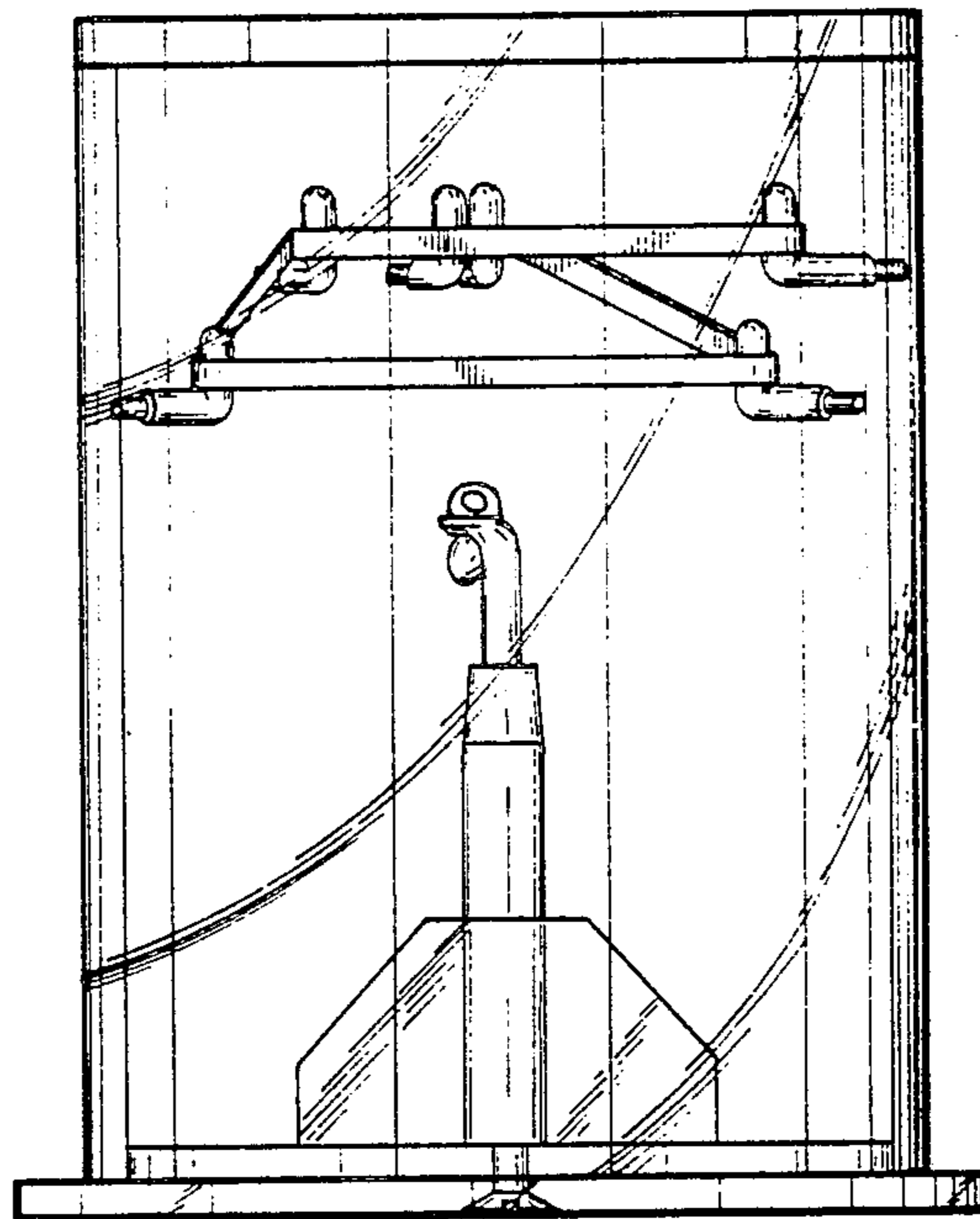


FIG-7

