

[54] **SEWING MACHINE**

[75] **Inventor: Yoshihide Yoneda, Osaka, Japan**

[73] **Assignee: Maruzen Sewing Machine Co., Ltd.,  
Osaka, Japan**

[\*\*] **Term: 14 Years**

[21] **Appl. No.: 694,230**

[22] **Filed: Jan. 23, 1985**

[52] **U.S. Cl. .... D15/70; D15/69**

[58] **Field of Search ..... D15/69, 70; 112/63,  
112/258-261**

[56] **References Cited**

**U.S. PATENT DOCUMENTS**

D. 254,135	2/1980	Felix et al. ....	D15/69
D. 281,782	12/1985	Eguchi .....	D15/69
1,959,138	5/1934	Nimmer .....	112/261
2,516,874	8/1958	Holland .....	D15/69 X
3,744,443	7/1973	Current .....	112/258
3,995,573	12/1976	Nishigami et al. ....	112/258

**OTHER PUBLICATIONS**

*Design 330*, Jun. 1976, p. 35, Sewing Machine.

*Primary Examiner*—Bernard Ansher

*Assistant Examiner*—Linda Titolo

*Attorney, Agent, or Firm*—Lowe, Price, LeBlanc,  
Becker & Shur

[57] **CLAIM**

The ornamental design for a sewing machine, as shown.

**DESCRIPTION**

FIG. 1 is a top plan view of a sewing machine, showing my new design;

FIG. 2 is a front elevational view thereof;

FIG. 3 is a bottom plan view thereof;

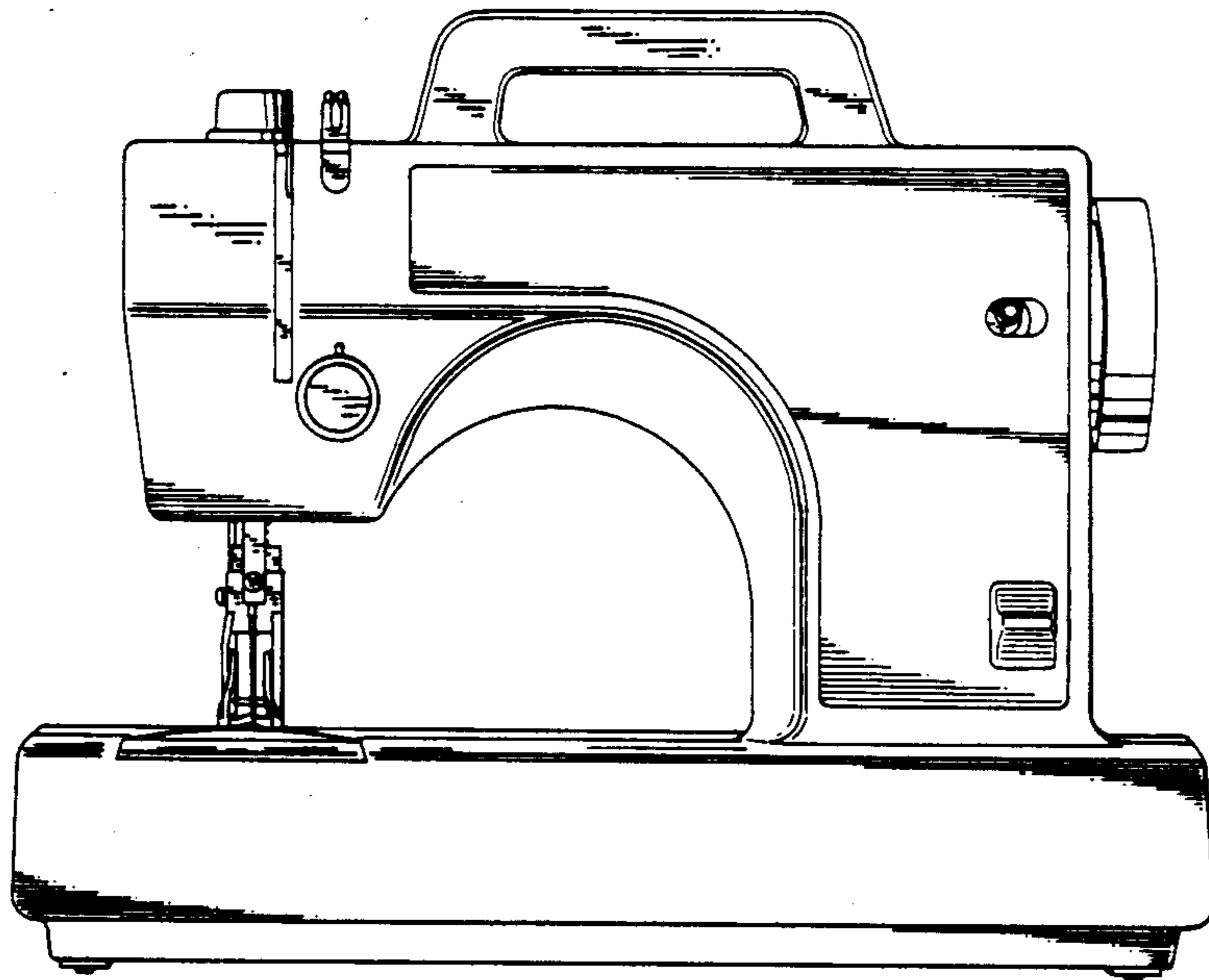
FIG. 4 is a rear elevational view thereof;

FIG. 5 is a left side elevational view thereof;

FIG. 6 is a right side elevational view thereof;

FIG. 7 is a front perspective view thereof; and

FIG. 8 is a rear perspective view thereof.



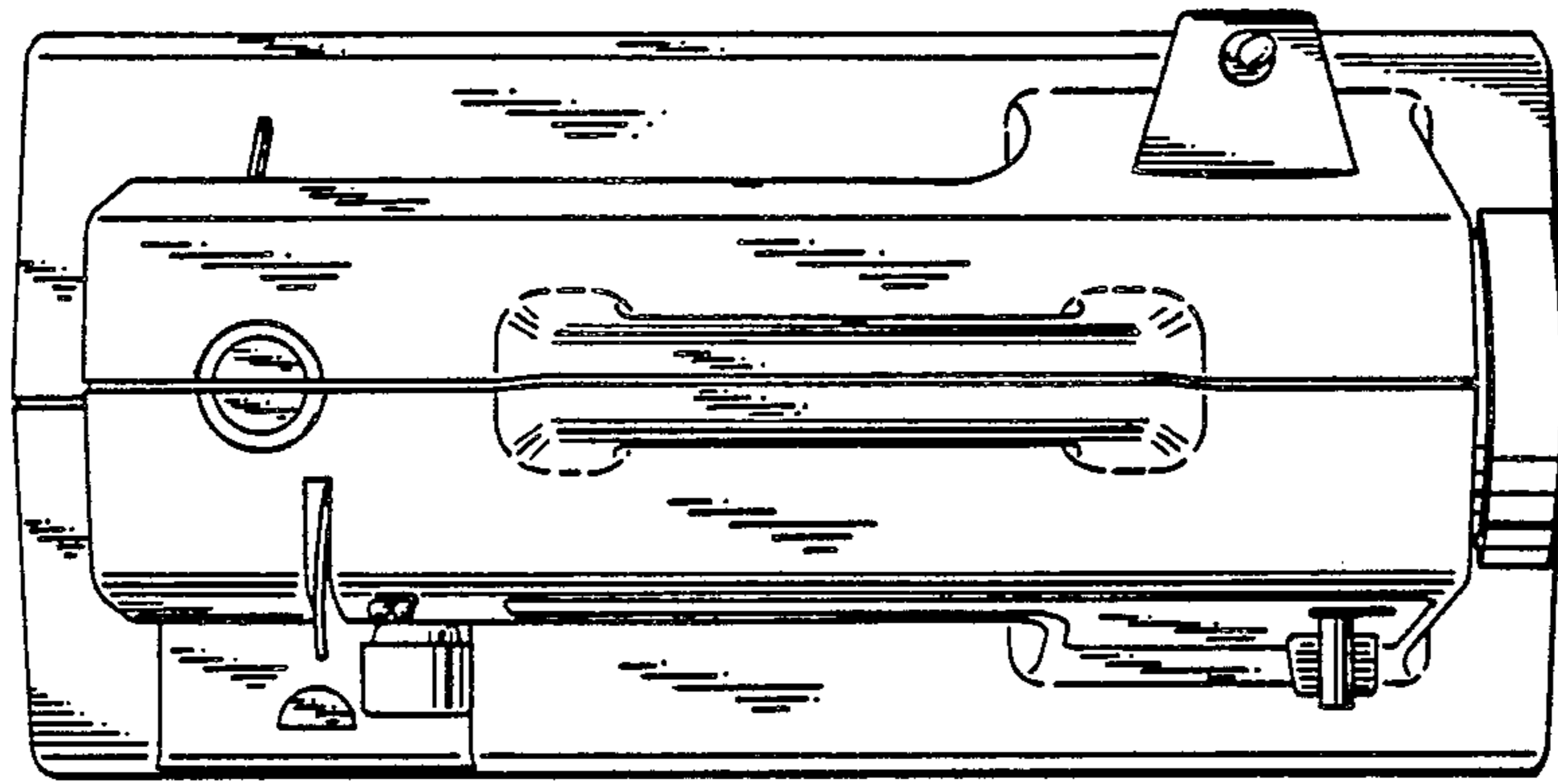


Fig.1

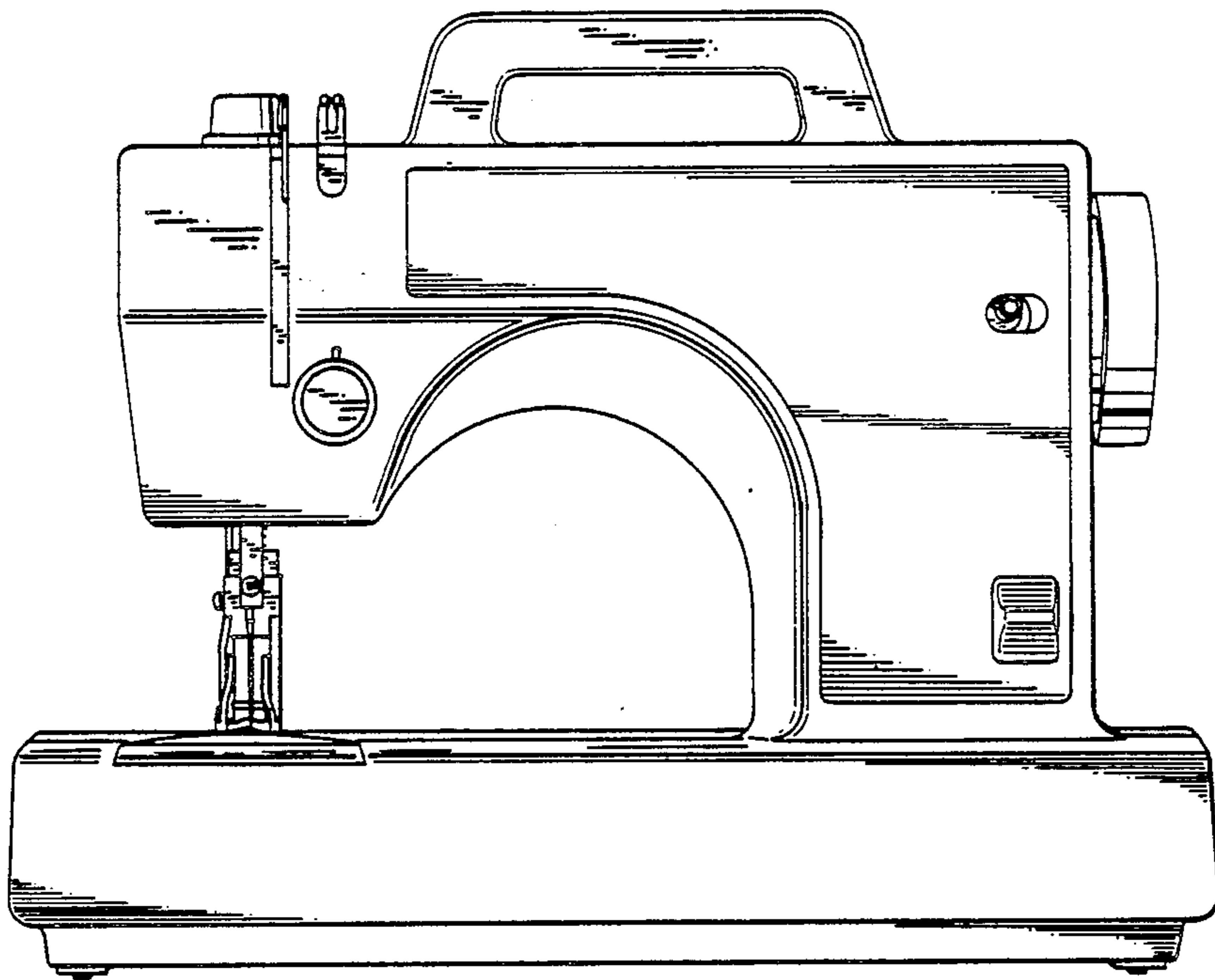


Fig.2

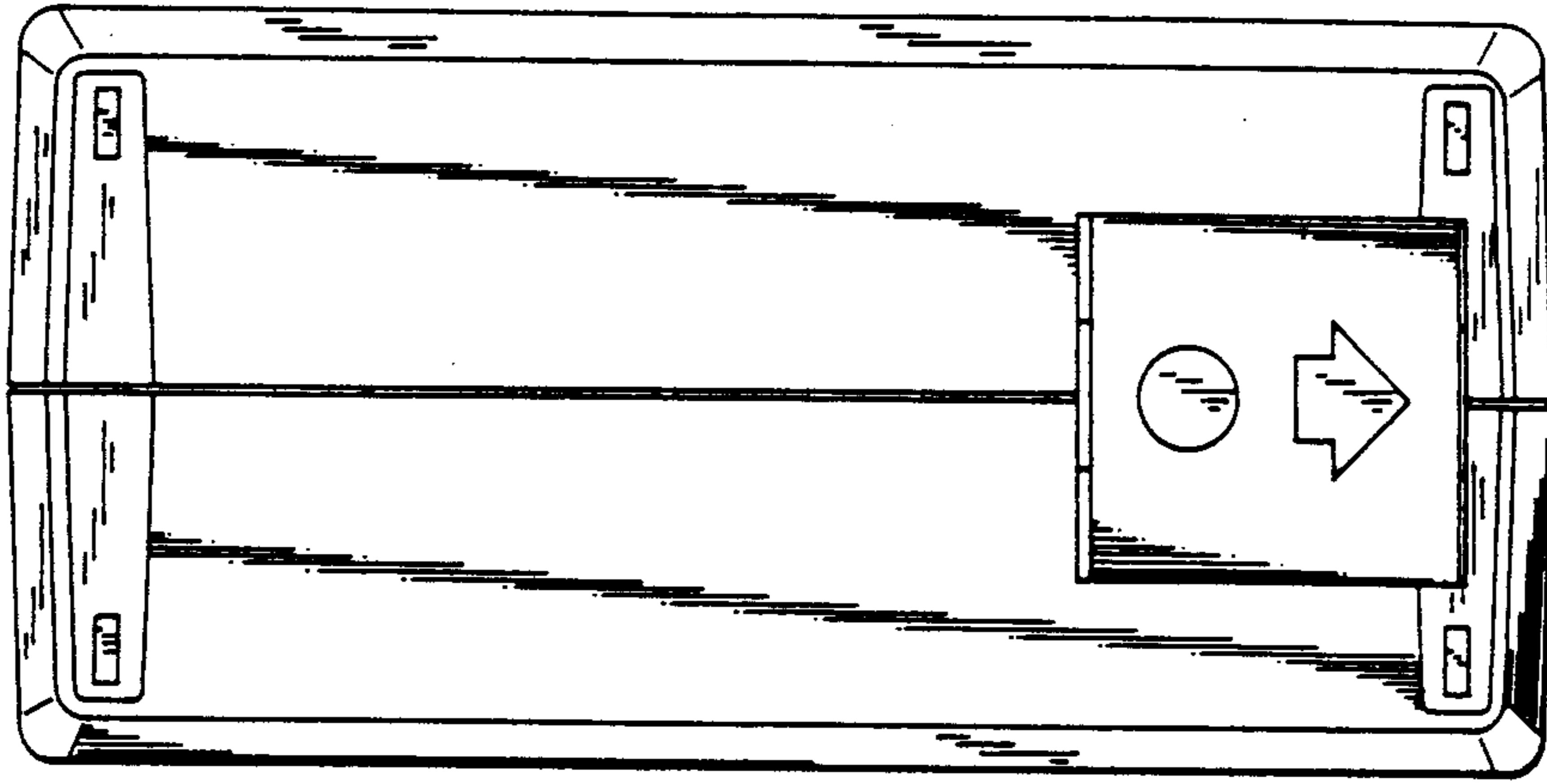


Fig.3

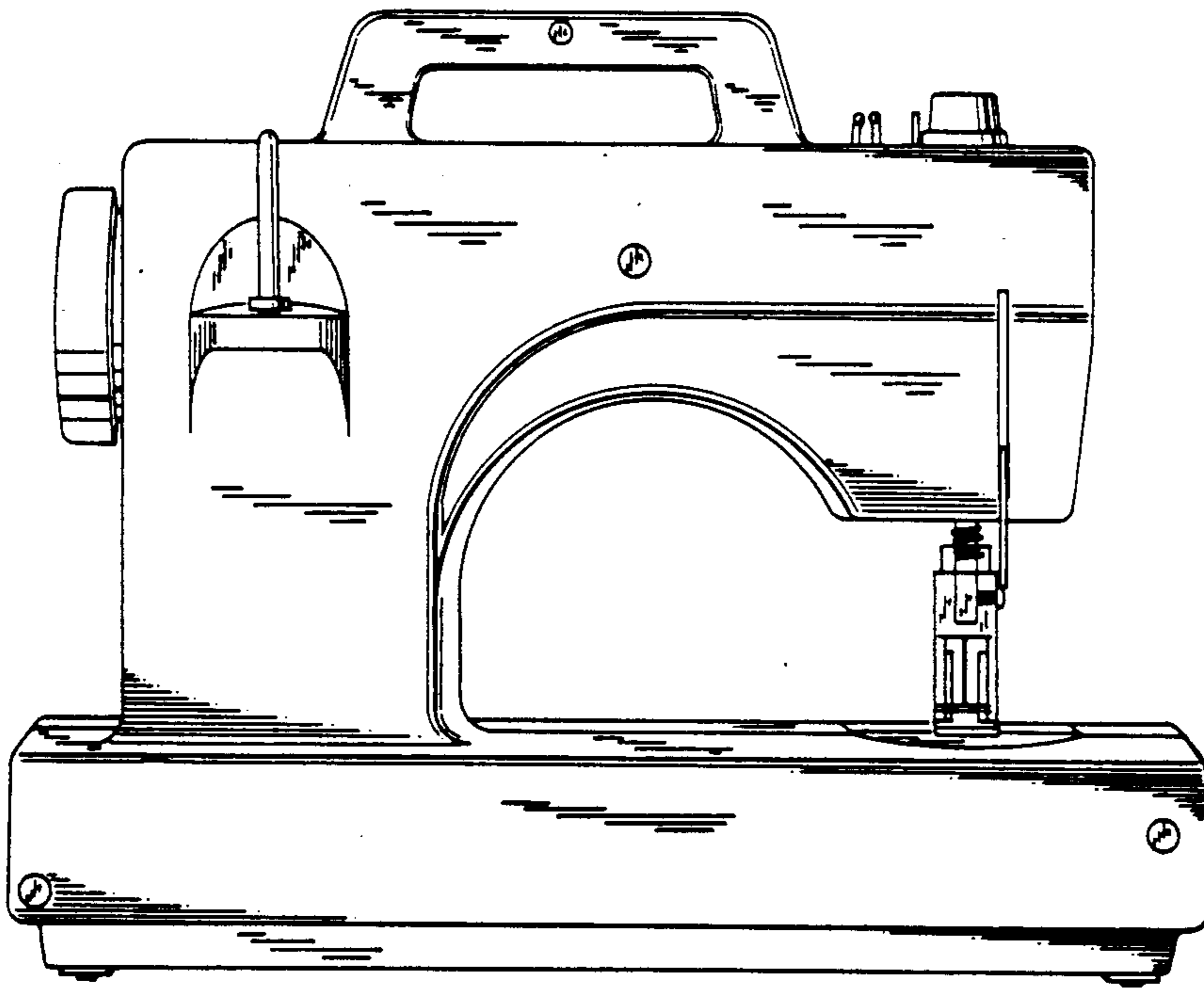


Fig.4

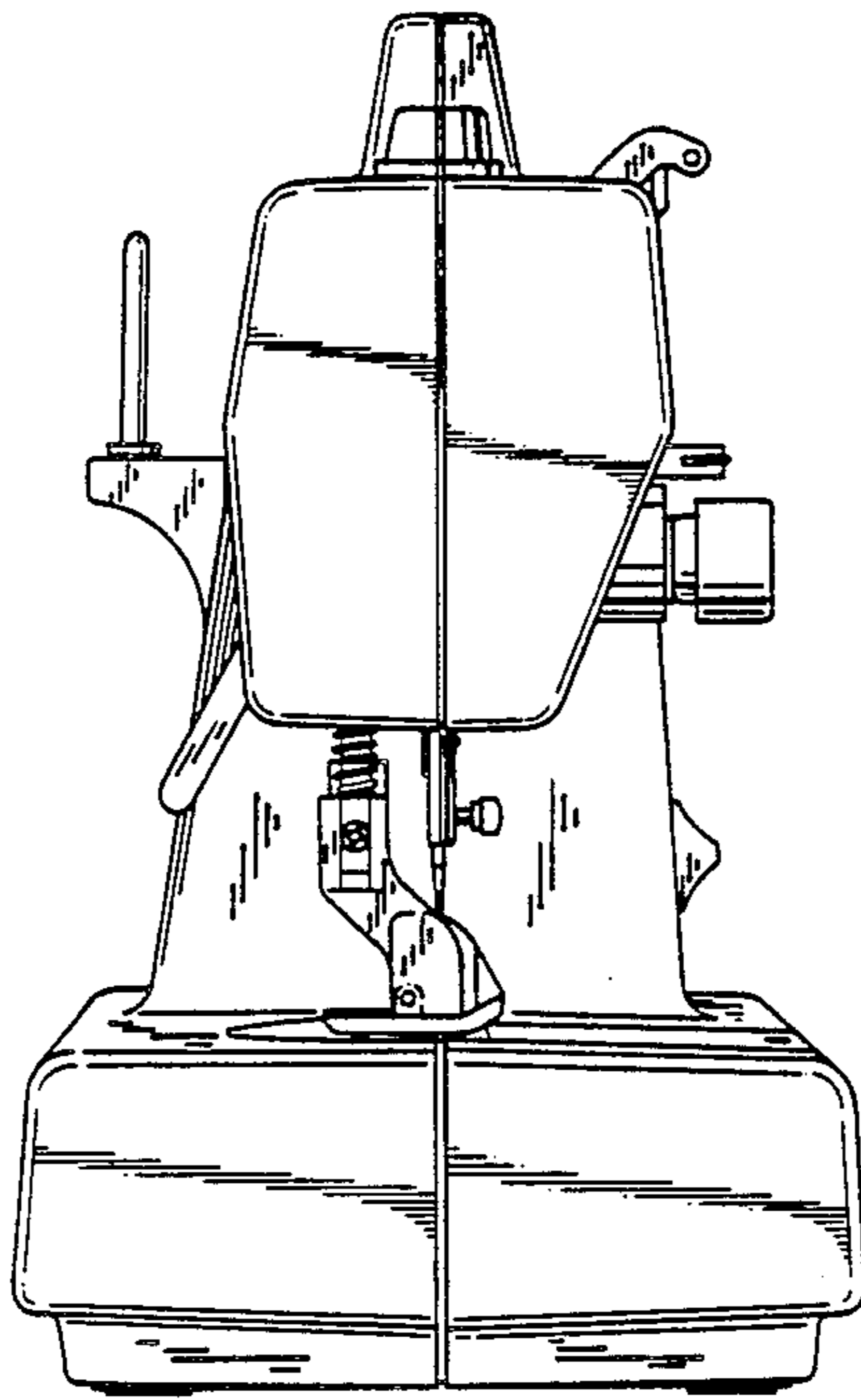


Fig.5

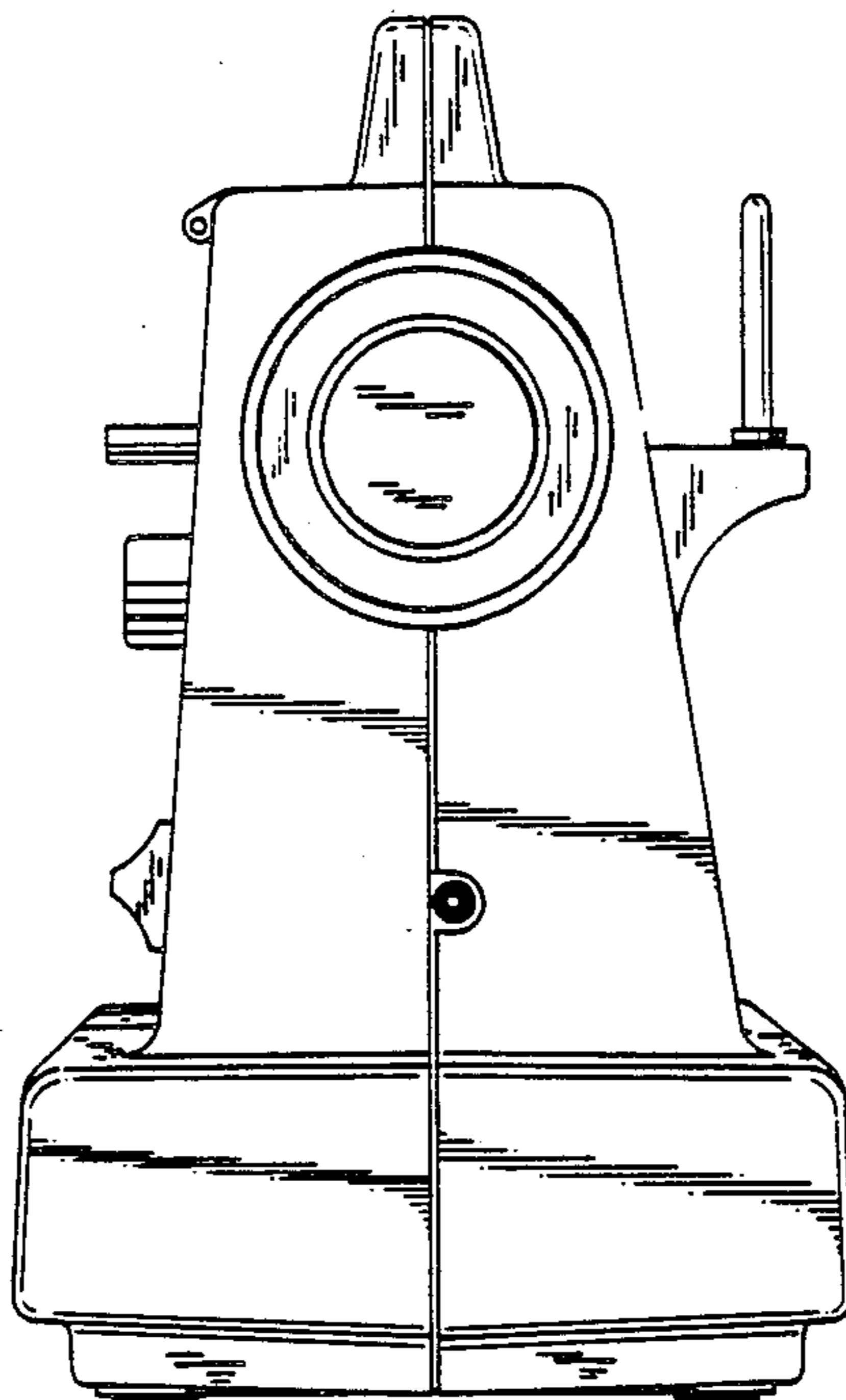


Fig.6

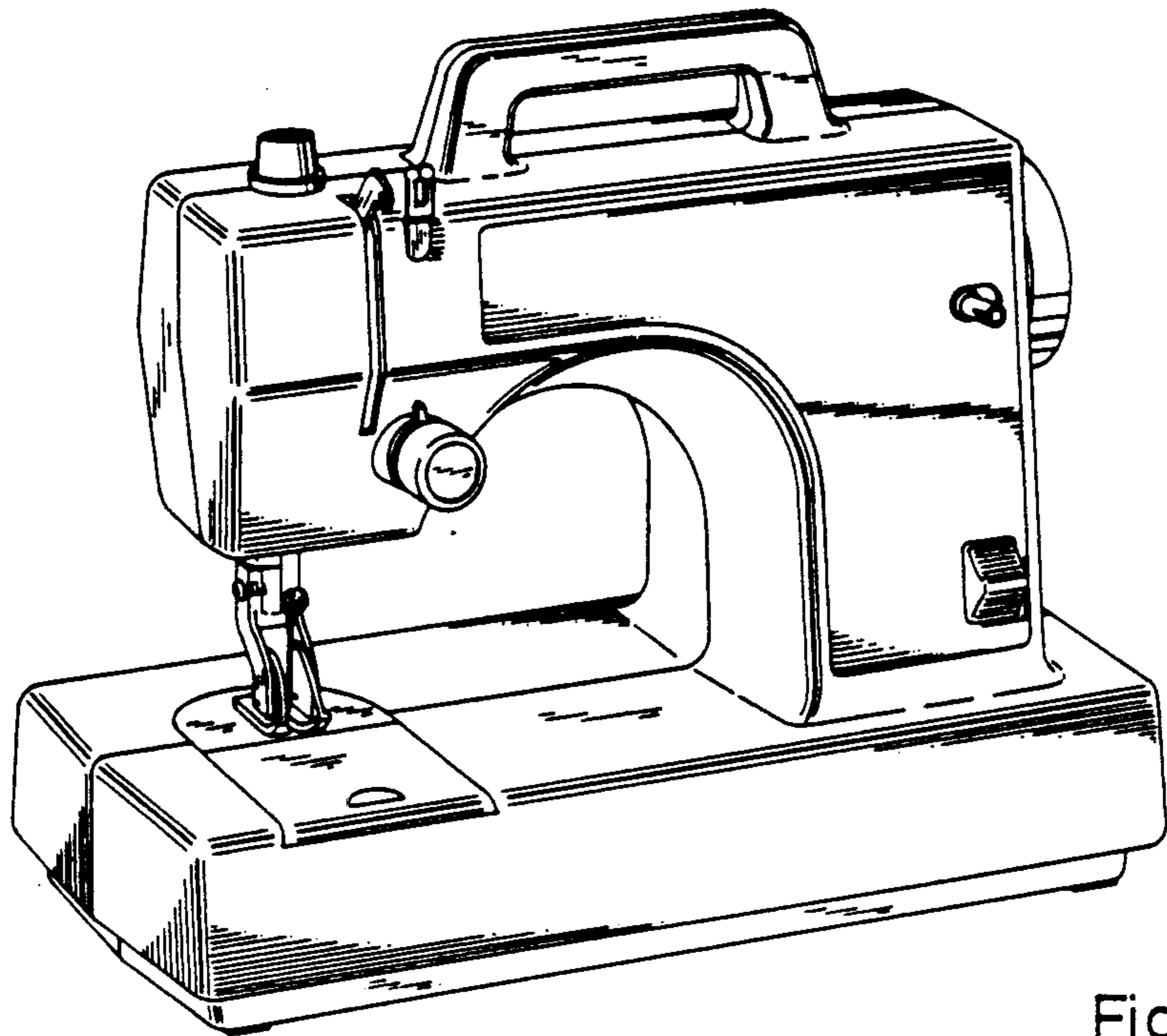


Fig. 7

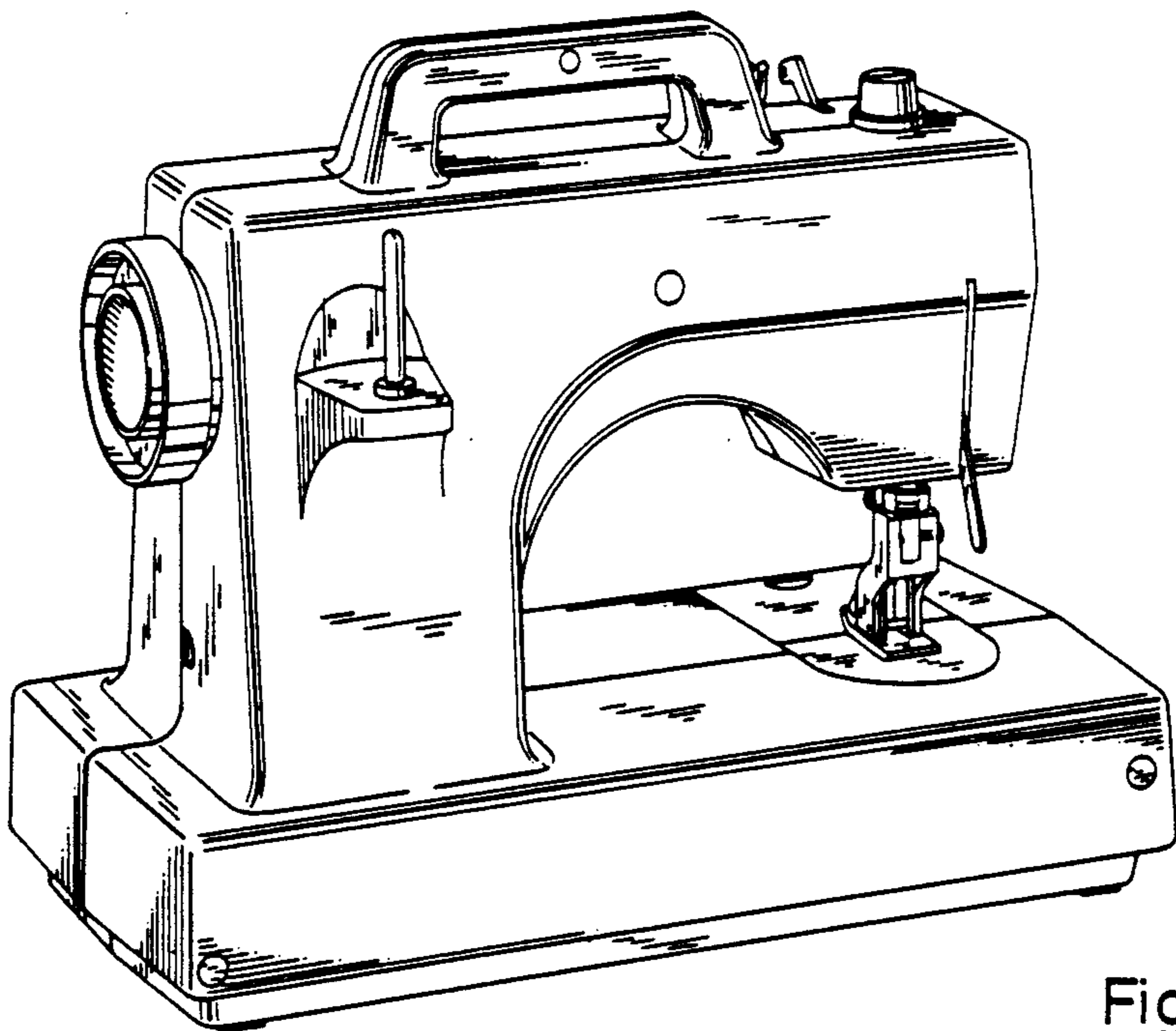


Fig. 8