

United States Patent [19]

Yoneda

[11] Patent Number: **Des. 292,929**

[45] Date of Patent: **** Nov. 24, 1987**

[54] SEWING MACHINE

[75] Inventor: **Yoshihide Yoneda**, Oaka, Japan

[73] Assignee: **Maruzen Sewing Machine Co., Ltd.**,
Osaka, Japan

[**] Term: **14 Years**

[21] Appl. No.: **911,436**

[22] Filed: **Sep. 25, 1986**

D. 280,826 10/1985 Kuroki D15/69
4,434,736 3/1984 Szostak et al. 112/258
4,467,734 8/1984 Rohr 112/63

Primary Examiner—Bernard Ansher
Assistant Examiner—Linda Titolo
Attorney, Agent, or Firm—Lowe Price LeBlanc Becker
& Shur

[57] CLAIM

The ornamental design for a sewing machine, as shown.

DESCRIPTION

FIG. 1 is a top plan view of a sewing machine showing my new design;
FIG. 2 is a front elevational view thereof;
FIG. 3 is a bottom plan view thereof;
FIG. 4 is a rear elevational view thereof;
FIG. 5 is a left side elevational view thereof;
FIG. 6 is a right side elevational view thereof;
FIG. 7 is a front perspective view thereof; and
FIG. 8 is a rear perspective view thereof, with the handle member in an upright position and the spool holder member in a retracted position.

Related U.S. Application Data

[62] Division of Ser. No. 629,553, Jul. 10, 1984.

[52] U.S. Cl. **D15/69; D15/70**

[58] Field of Search D15/69, 70; 112/63,
112/258-261

[56] References Cited

U.S. PATENT DOCUMENTS

D. 201,323 6/1965 Fresard D15/69
D. 264,088 4/1982 Sullivan et al. D15/69
D. 270,913 10/1983 Kosugi D15/69

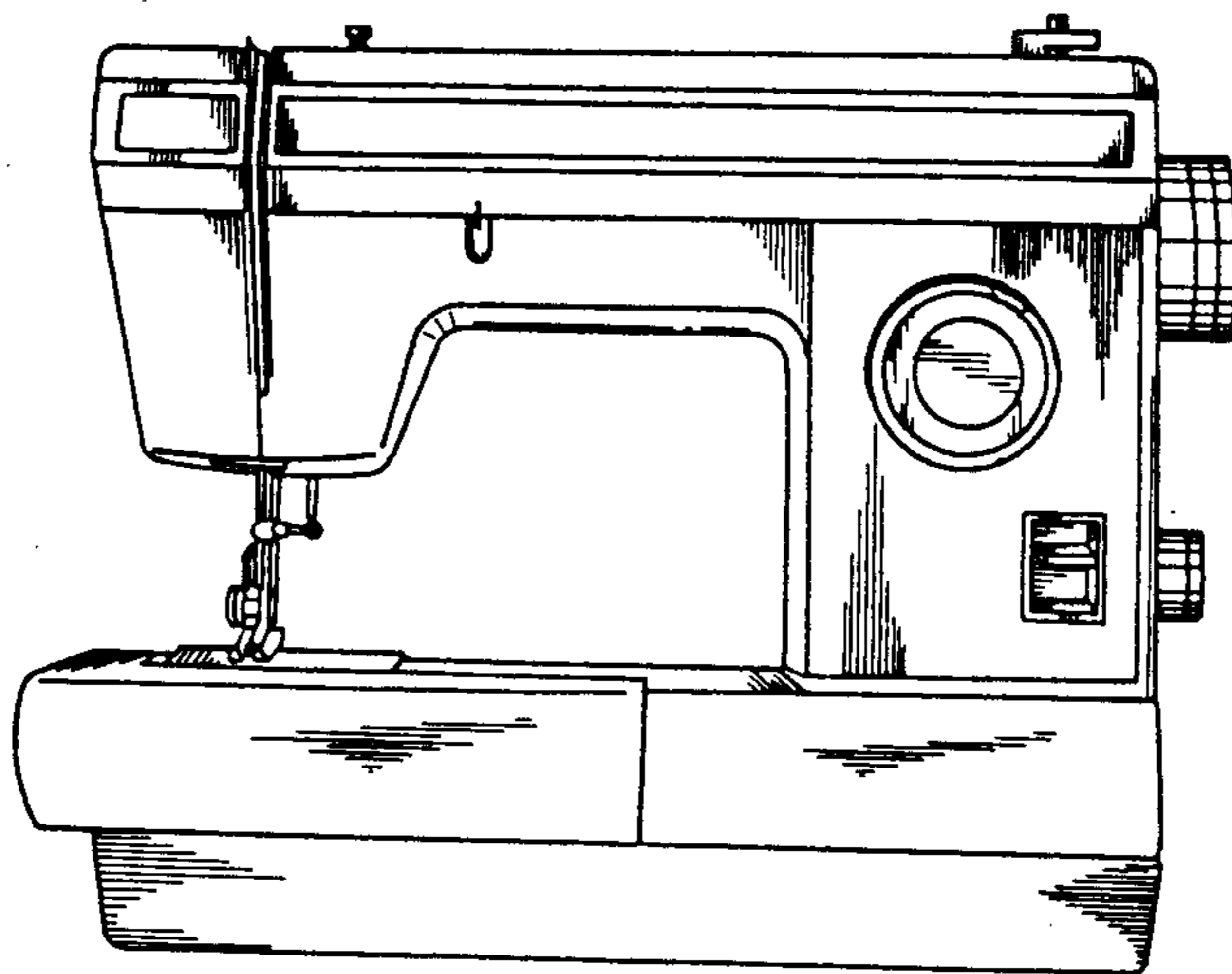


FIG. 1

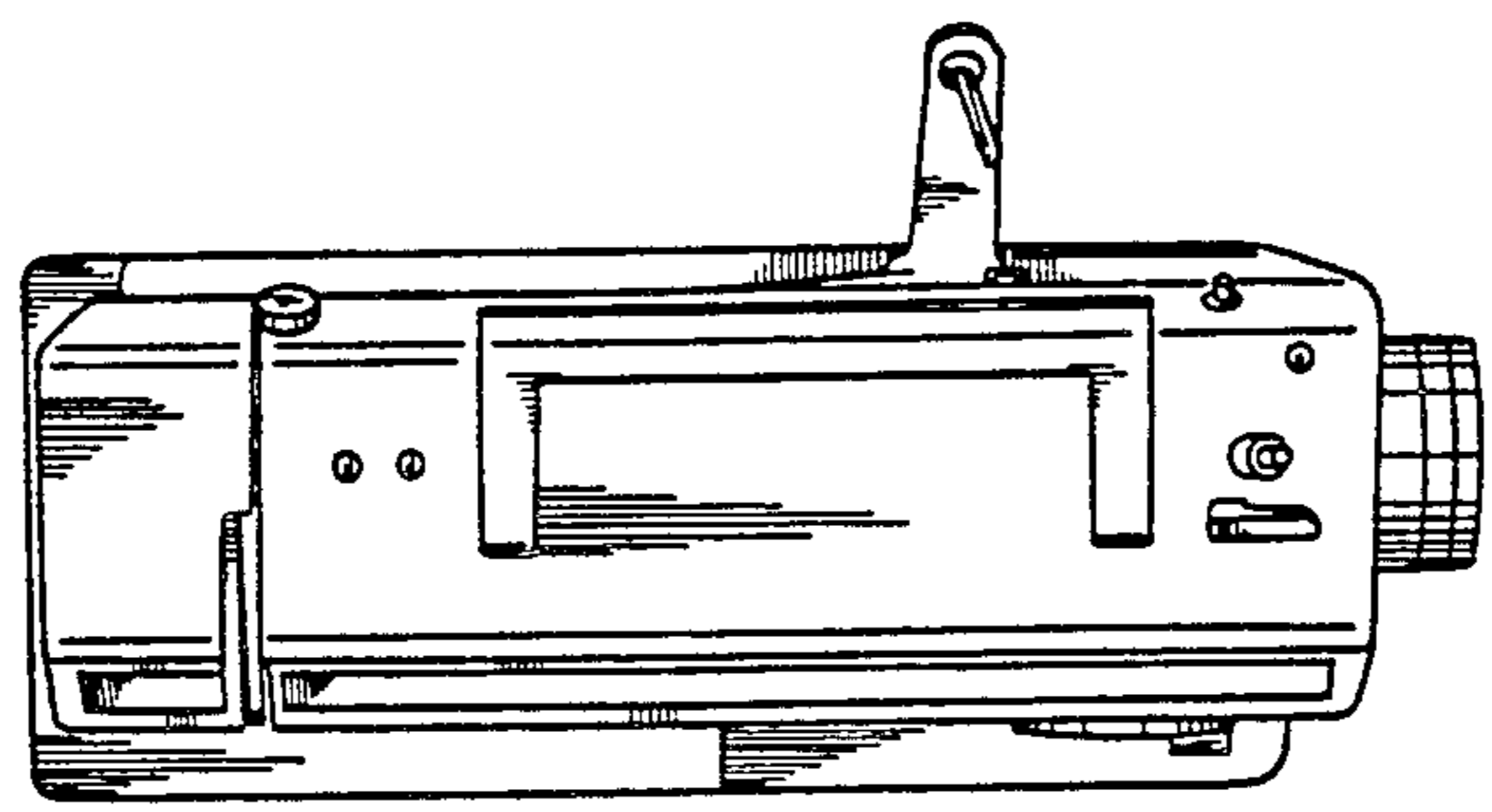


FIG. 2

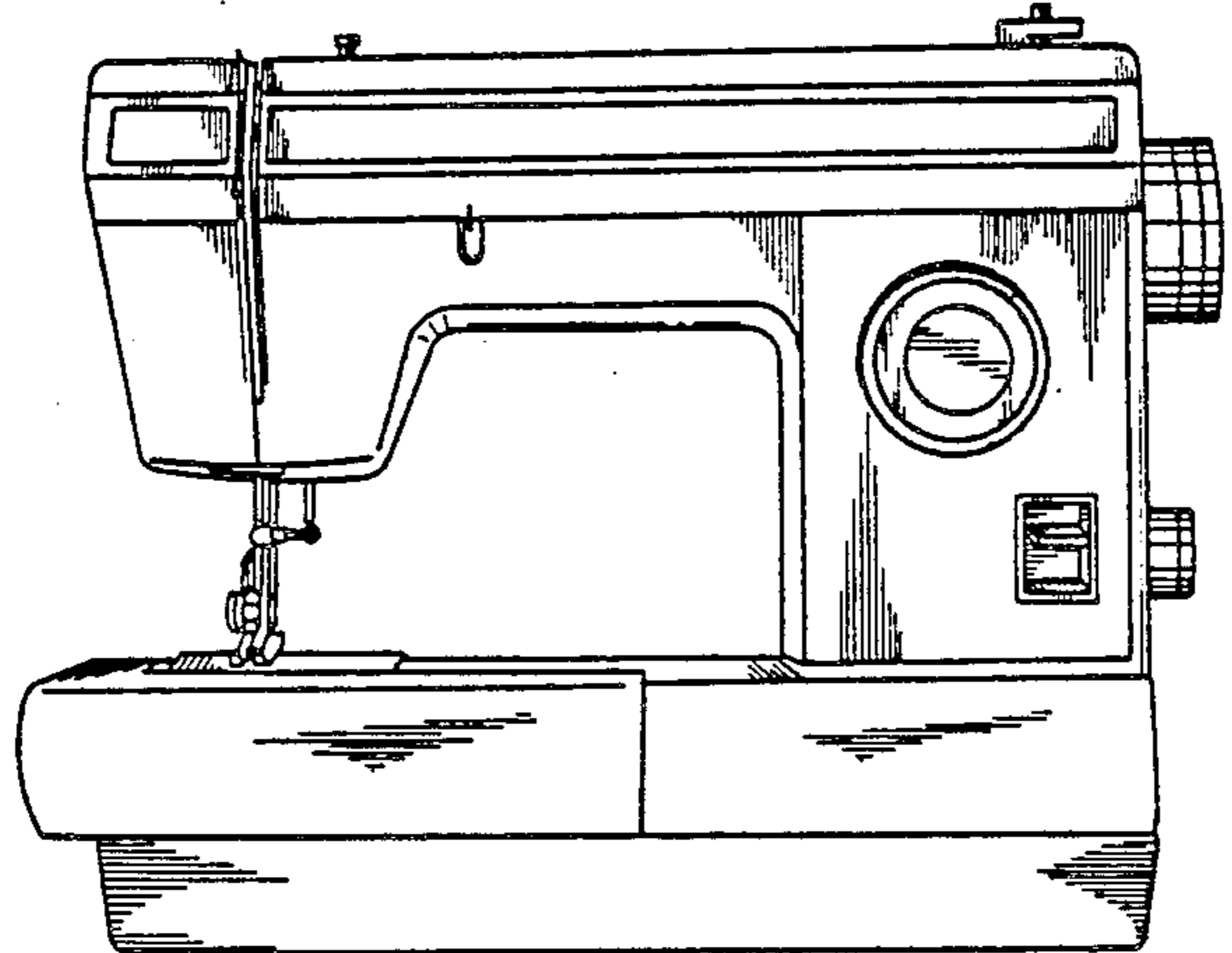


FIG. 3

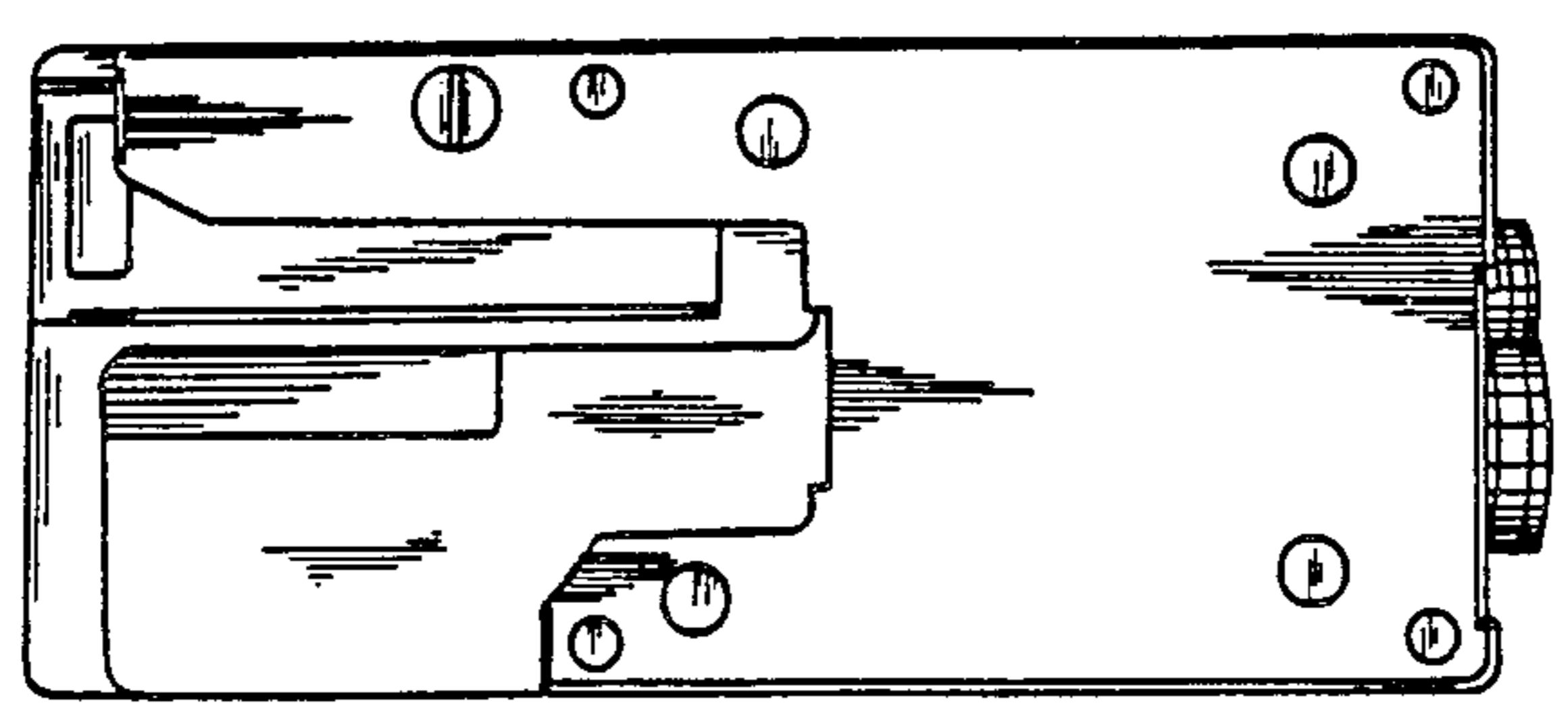


FIG. 4

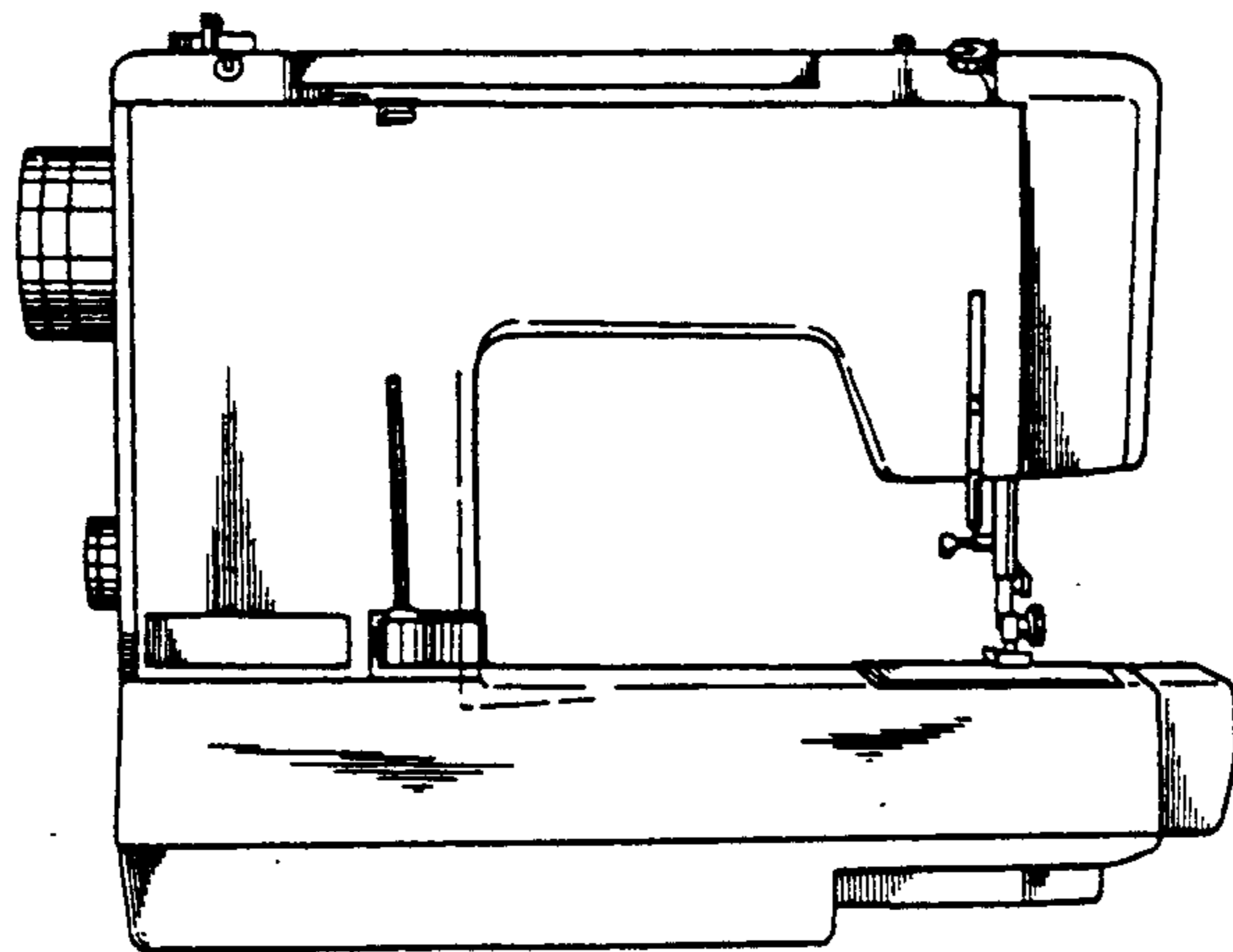


FIG. 5

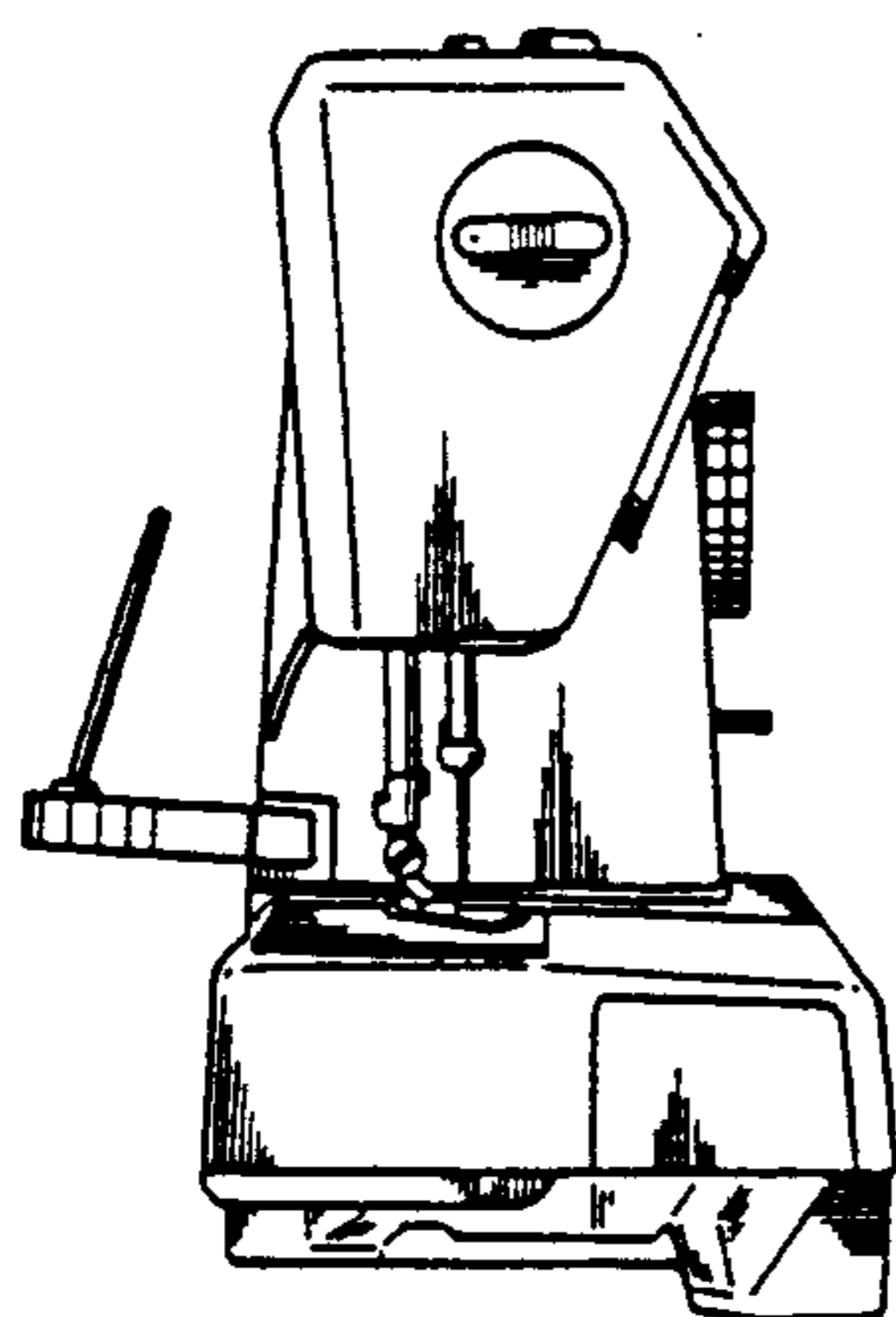


FIG. 6

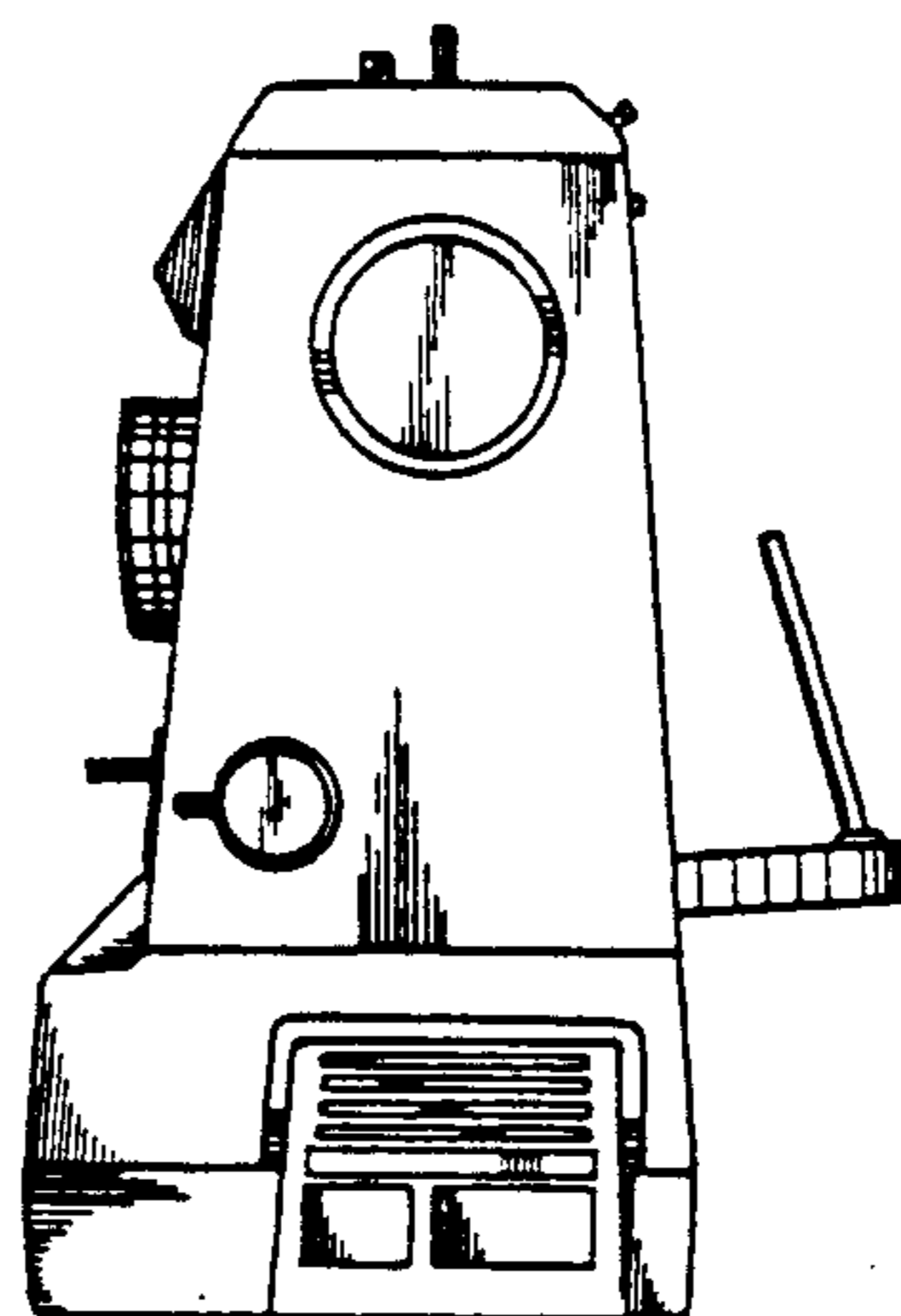


FIG. 7

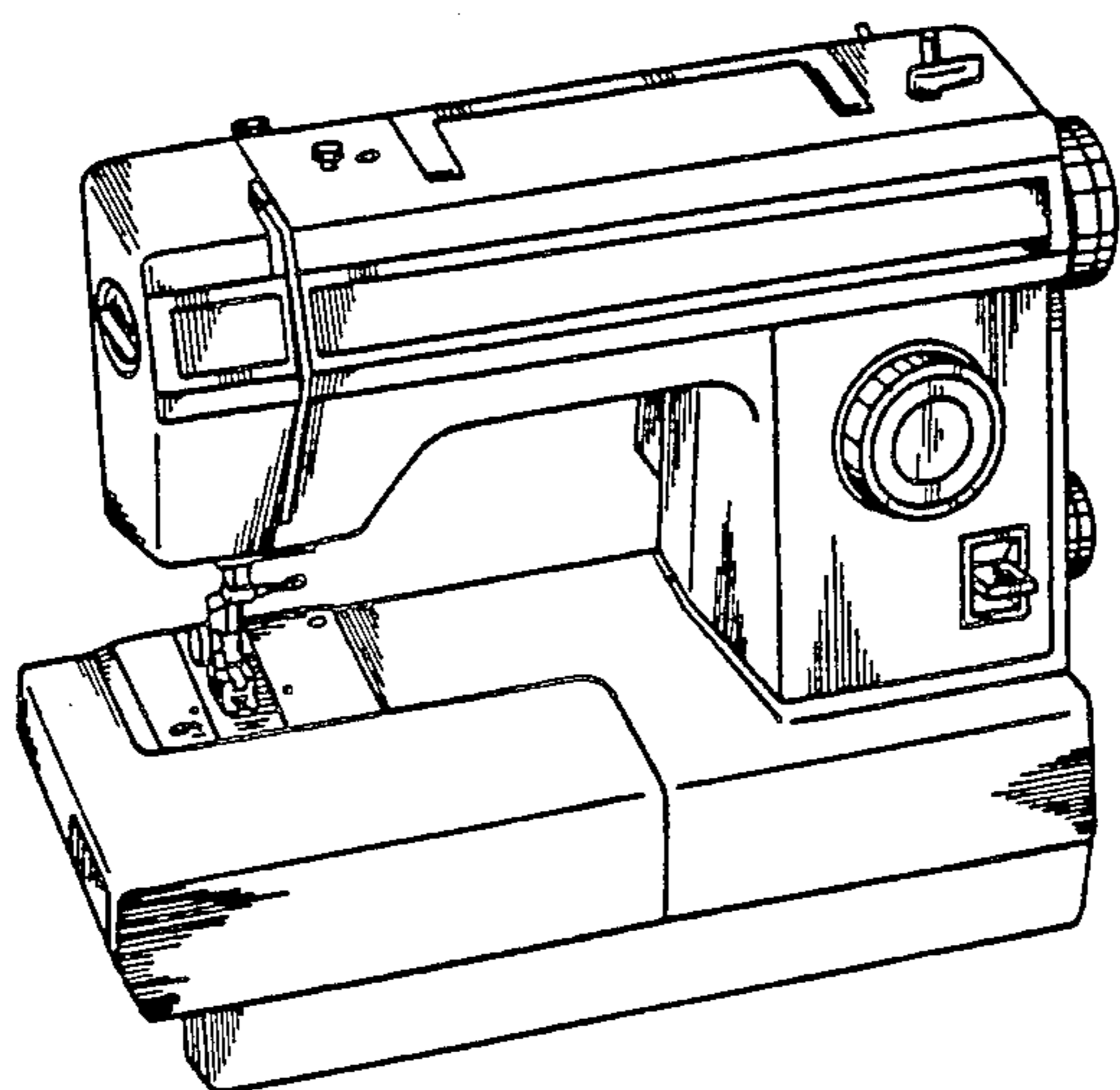
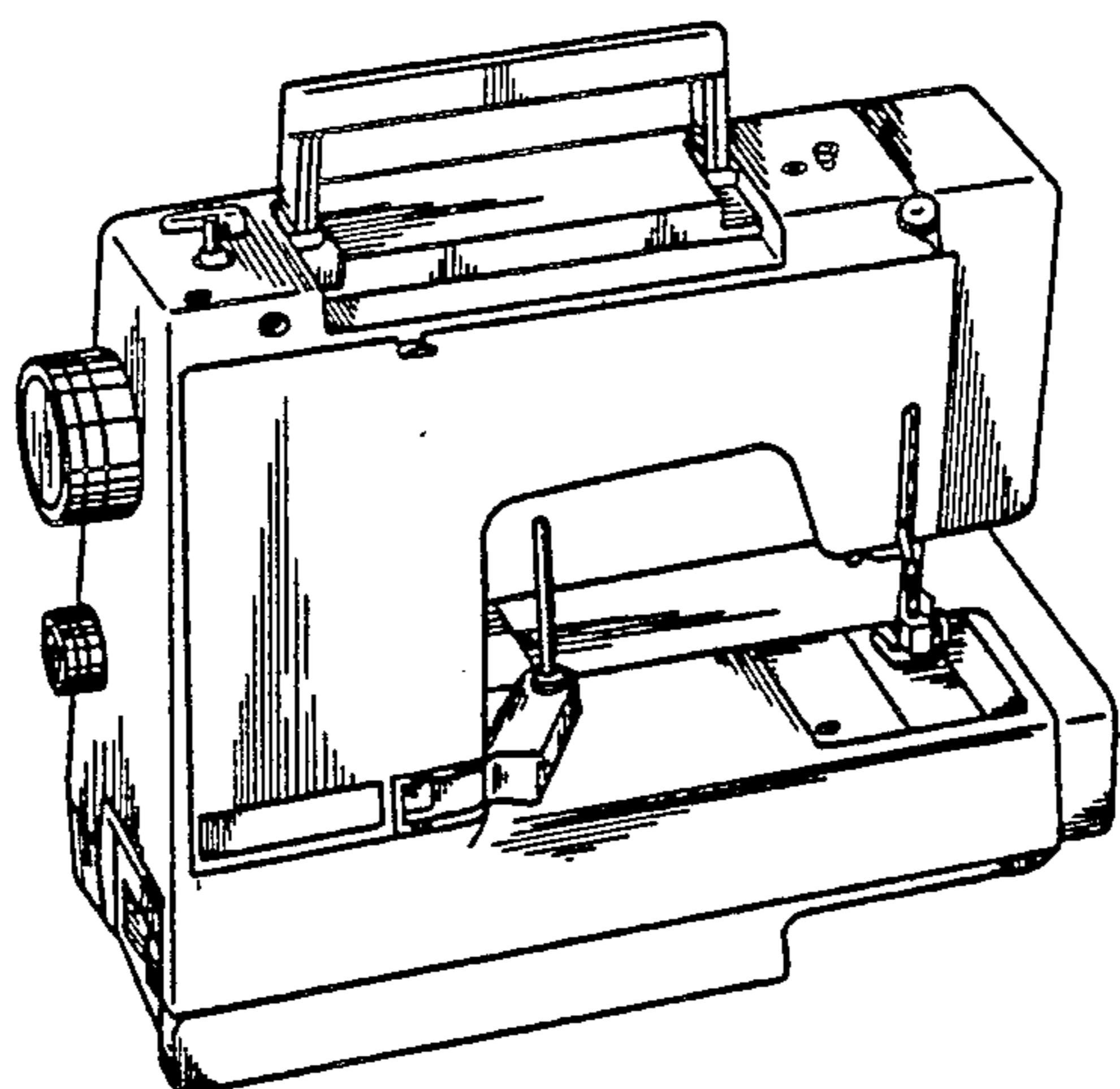


FIG. 8



UNITED STATES PATENT AND TRADEMARK OFFICE
CERTIFICATE OF CORRECTION

PATENT NO. : Des. 292,929
DATED : Nov. 24, 1987
INVENTOR(S) : Yoshihide Yoneda

It is certified that error appears in the above-identified patent and that said Letters Patent is hereby corrected as shown below:

Title page, the following should be inserted:

[30] Foreign Application Priority Data

March 23, 1984 [JP] Japan.....11394/1984
March 23, 1984 [JP] Japan.....11395/1984

**Signed and Sealed this
Twelfth Day of July, 1988**

Attest:

DONALD J. QUIGG

Attesting Officer

Commissioner of Patents and Trademarks