

**United States Patent** [19]  
**Lo**

[11] **Patent Number: Des. 292,928**  
[45] **Date of Patent: \*\* Nov. 24, 1987**

[54] **SEWING MACHINE**

[75] **Inventor: Jong-Hsien Lo, Taipei Hsien, Taiwan**

[73] **Assignee: Kaulin Manufacturing Co., Ltd.,  
Taipei, Taiwan**

[\*\*] **Term: 14 Years**

[21] **Appl. No.: 777,090**

[22] **Filed: Sep. 18, 1985**

[30] **Foreign Application Priority Data**

Aug. 22, 1985 [TW] Taiwan ..... 74304222

[52] **U.S. Cl. .... D15/69**

[58] **Field of Search ..... D15/68, 69, 70;  
112/258-261**

[56] **References Cited**

**U.S. PATENT DOCUMENTS**

D. 227,169 6/1973 Marfurio ..... D15/69

D. 286,054 10/1986 Shibuya et al. .... D15/69

**FOREIGN PATENT DOCUMENTS**

1071167 3/1954 France ..... 112/258

*Primary Examiner*—Melvin B. Feifer

*Attorney, Agent, or Firm*—Limbach, Limbach & Sutton

[57] **CLAIM**

The ornamental design for sewing machine or similar article, as shown and described.

**DESCRIPTION**

FIG. 1 is a perspective view of sewing machine showing my new design;

FIG. 2 is a right side elevational view thereof;

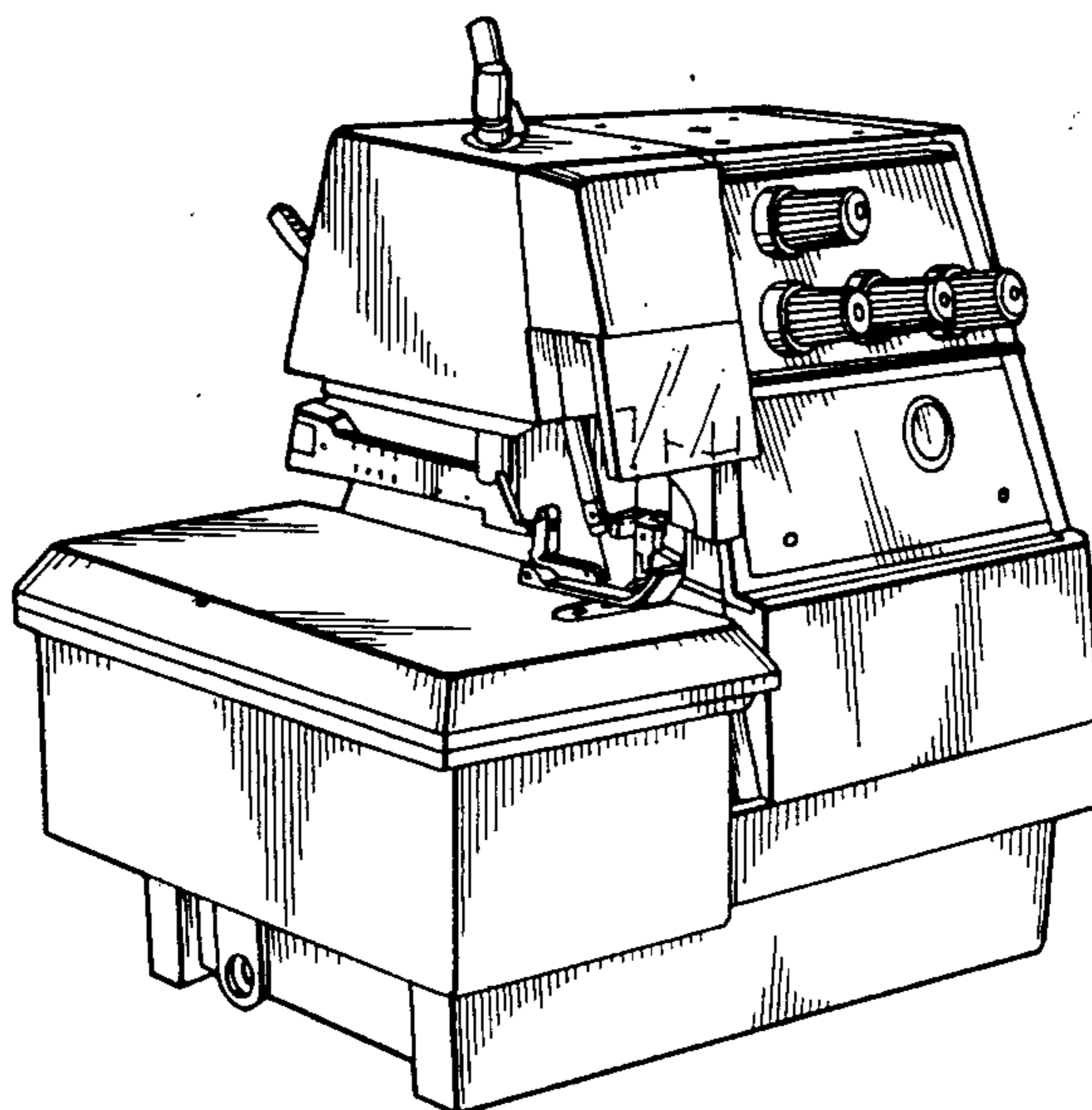
FIG. 3 is a left side elevational view thereof;

FIG. 4 is a front elevational view thereof;

FIG. 5 is a rear elevational view thereof;

FIG. 6 is a top plan view thereof; and

FIG. 7 is a bottom plan view thereof.



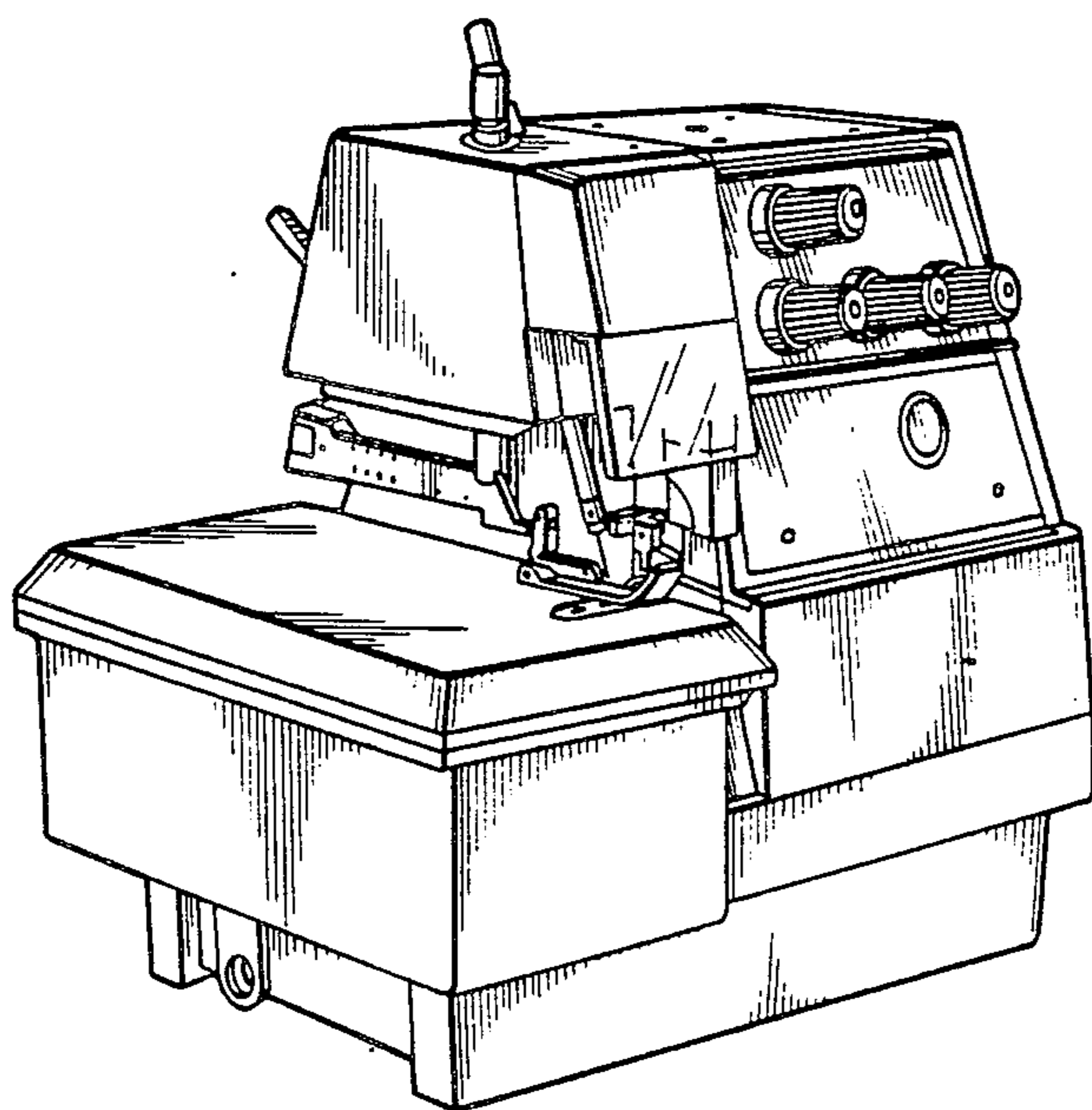


FIG. 1

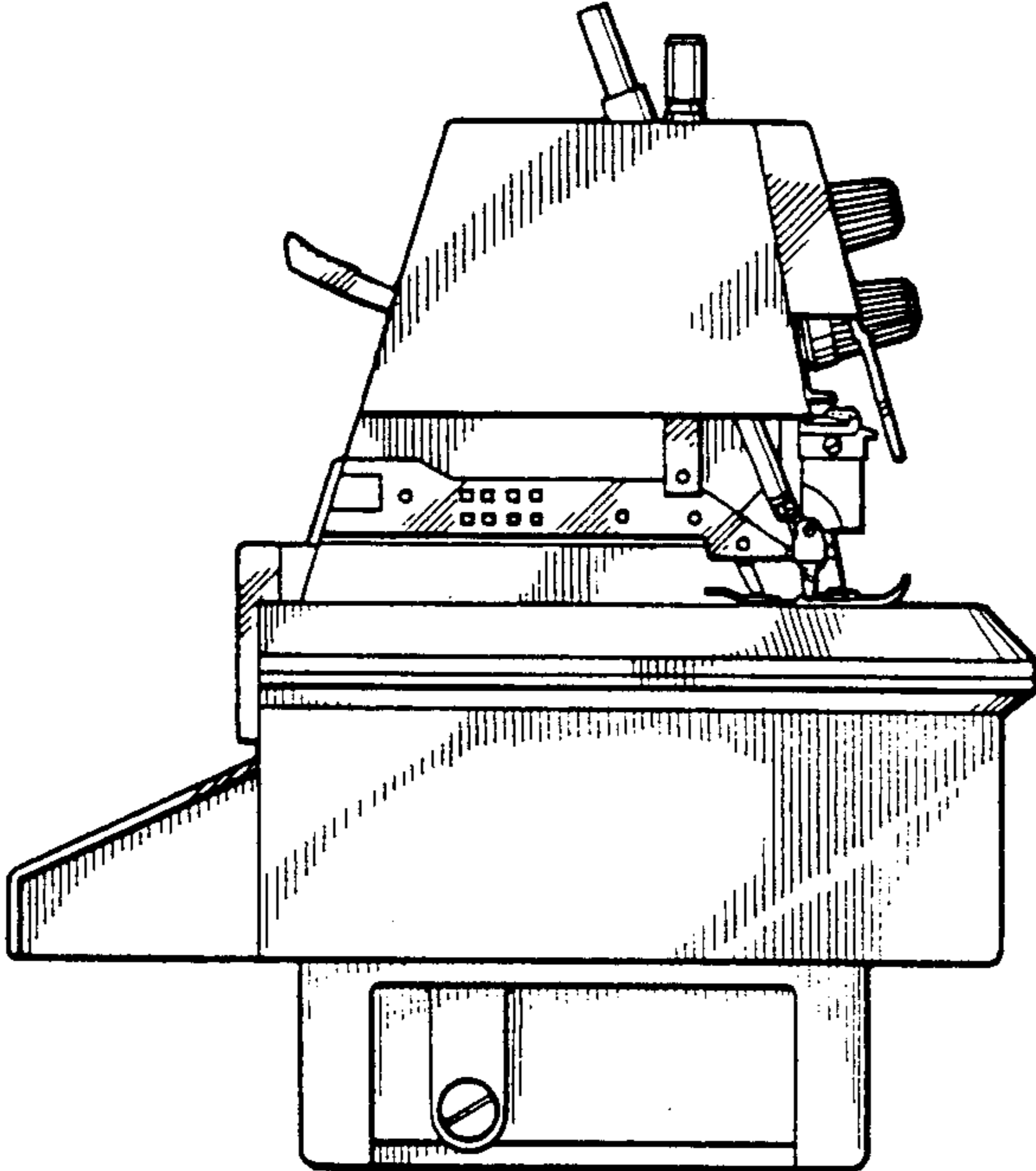


FIG. 2

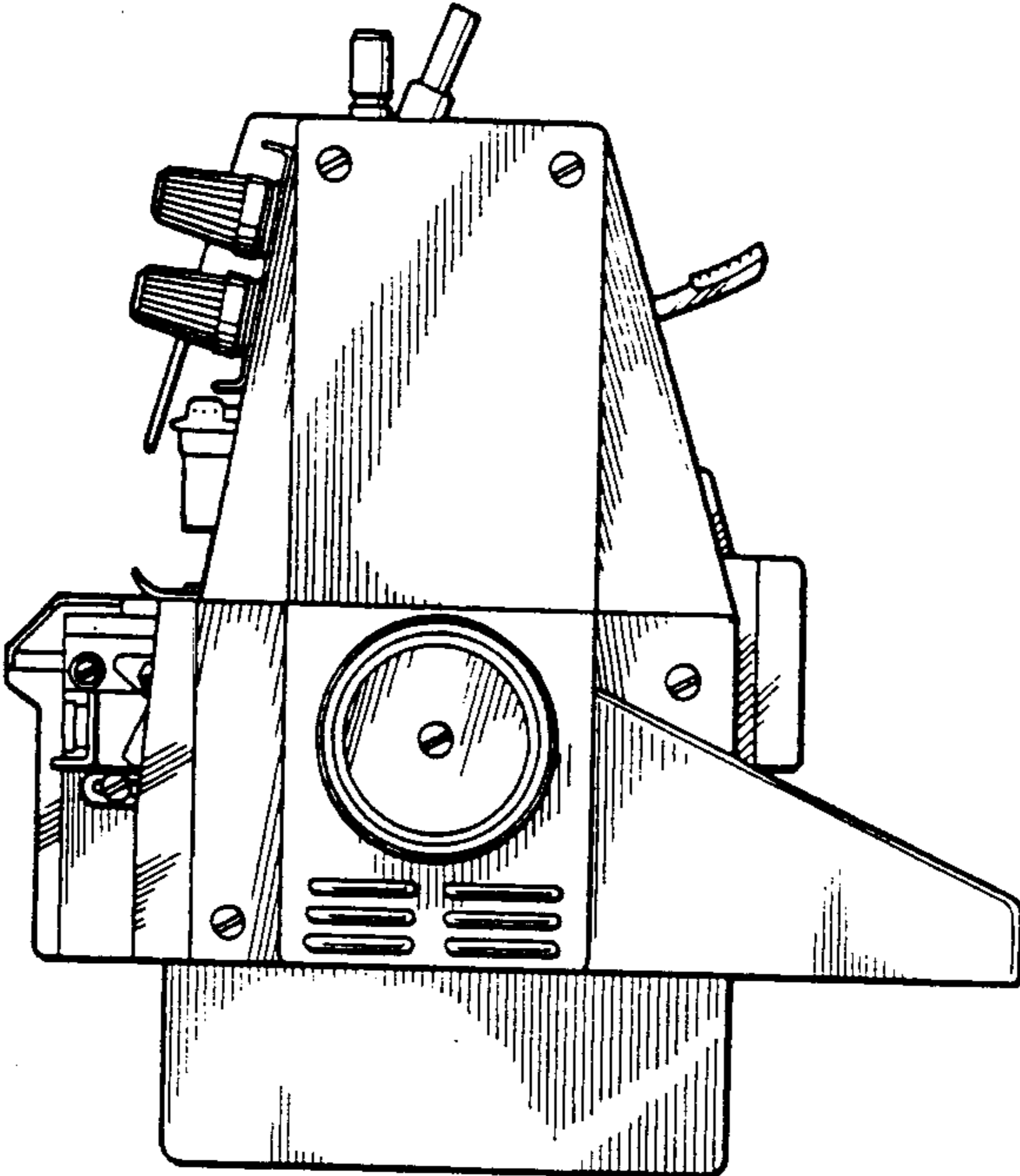


FIG. 3

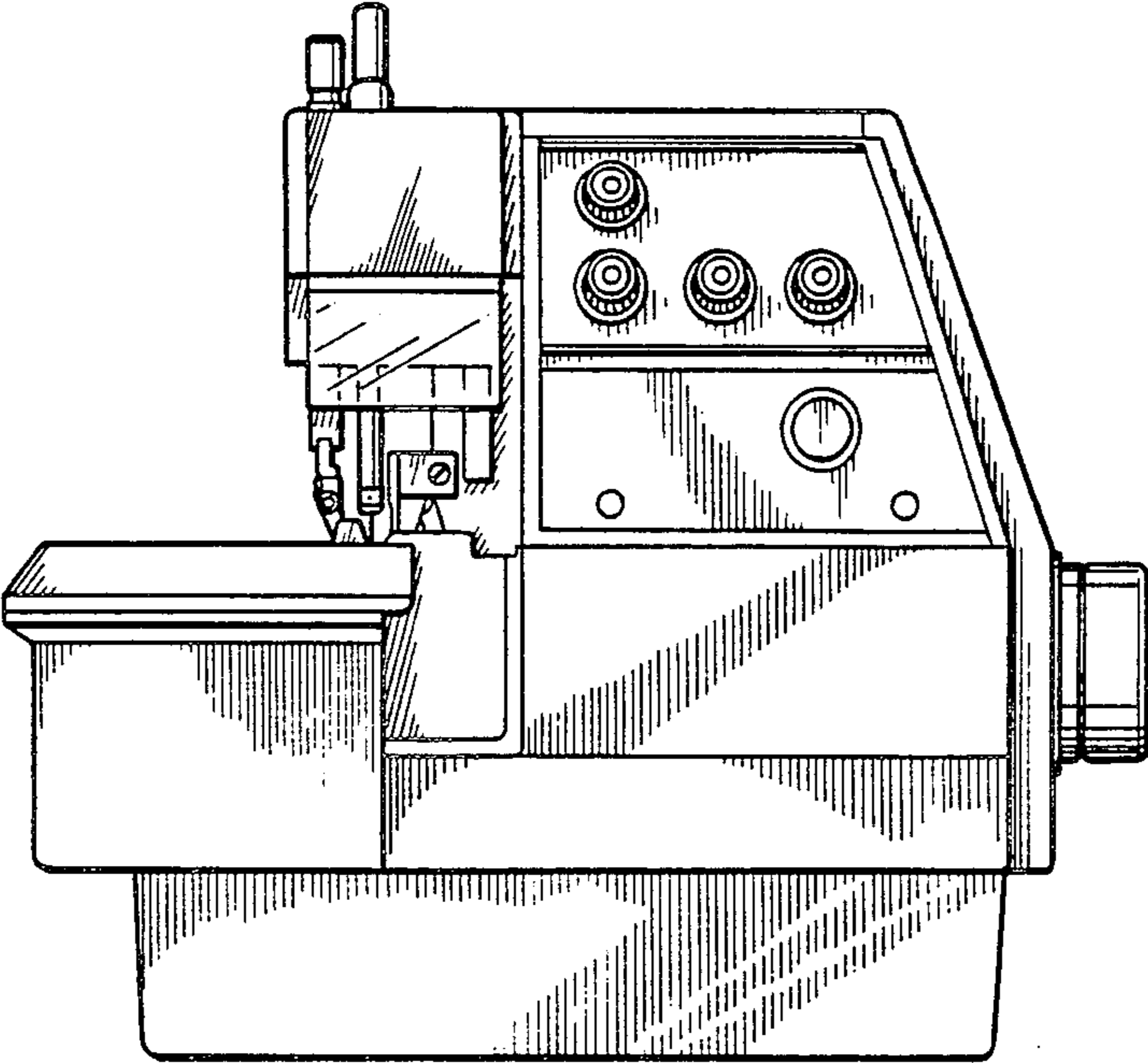


FIG. 4

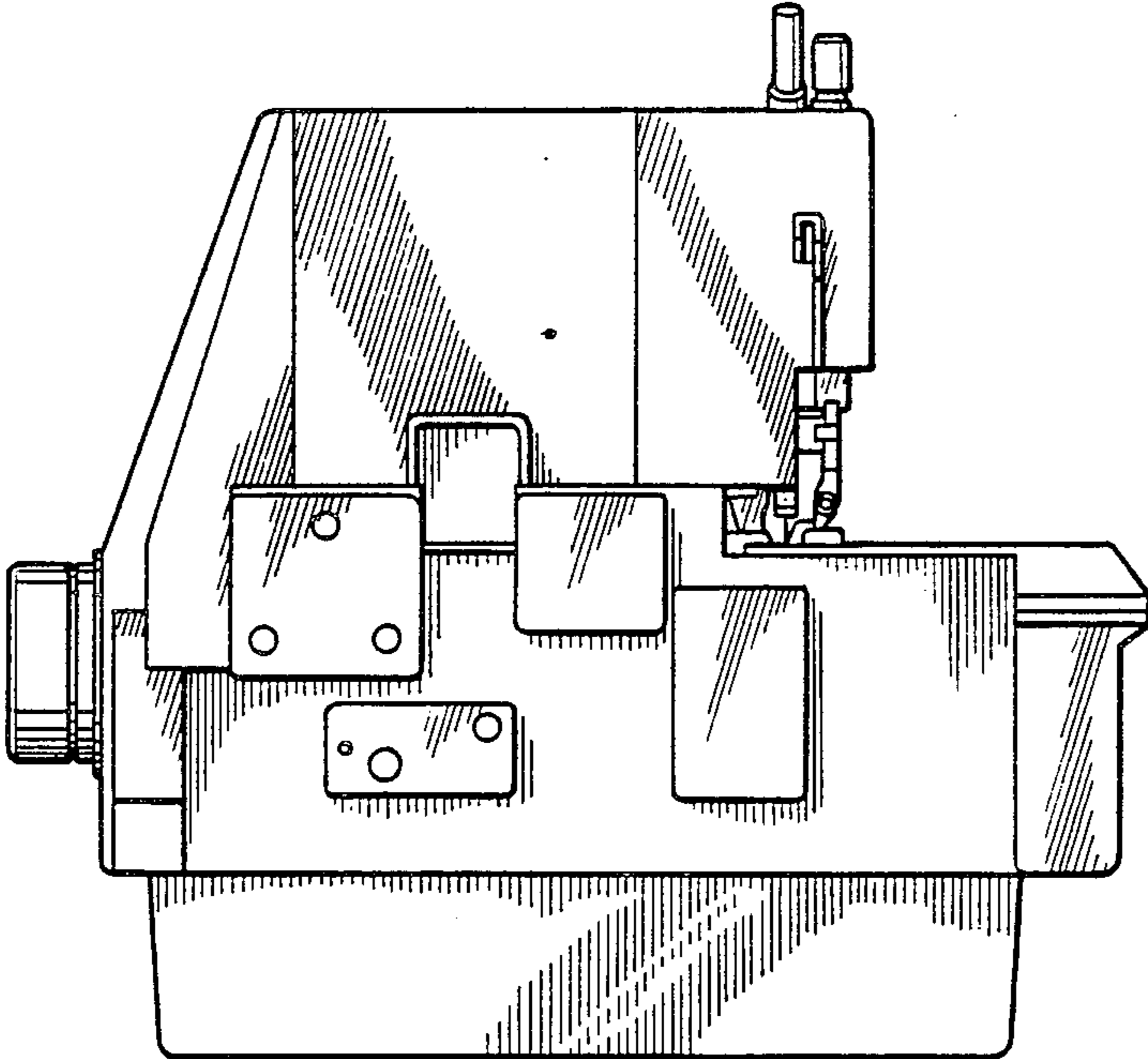


FIG. 5

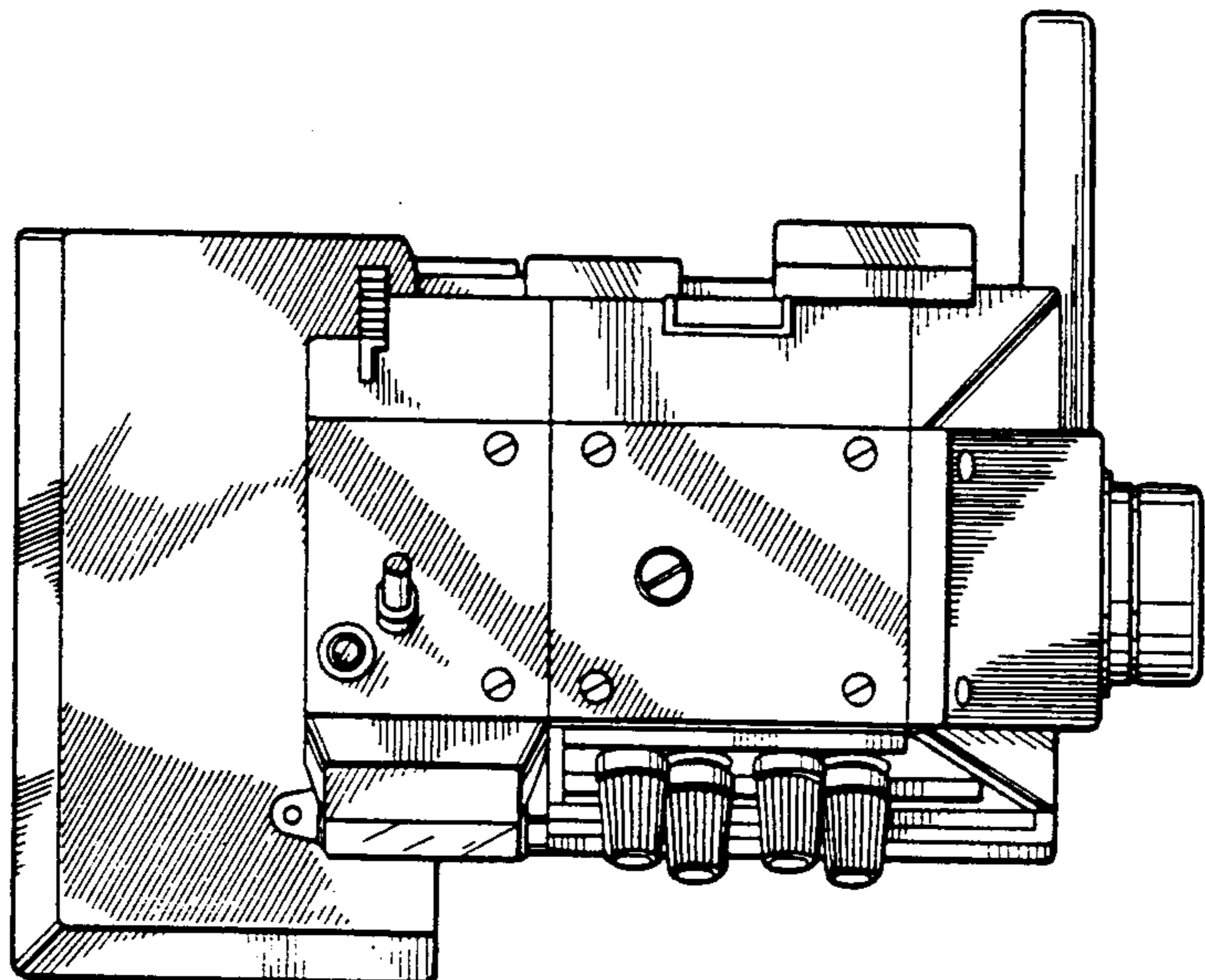


FIG. 6

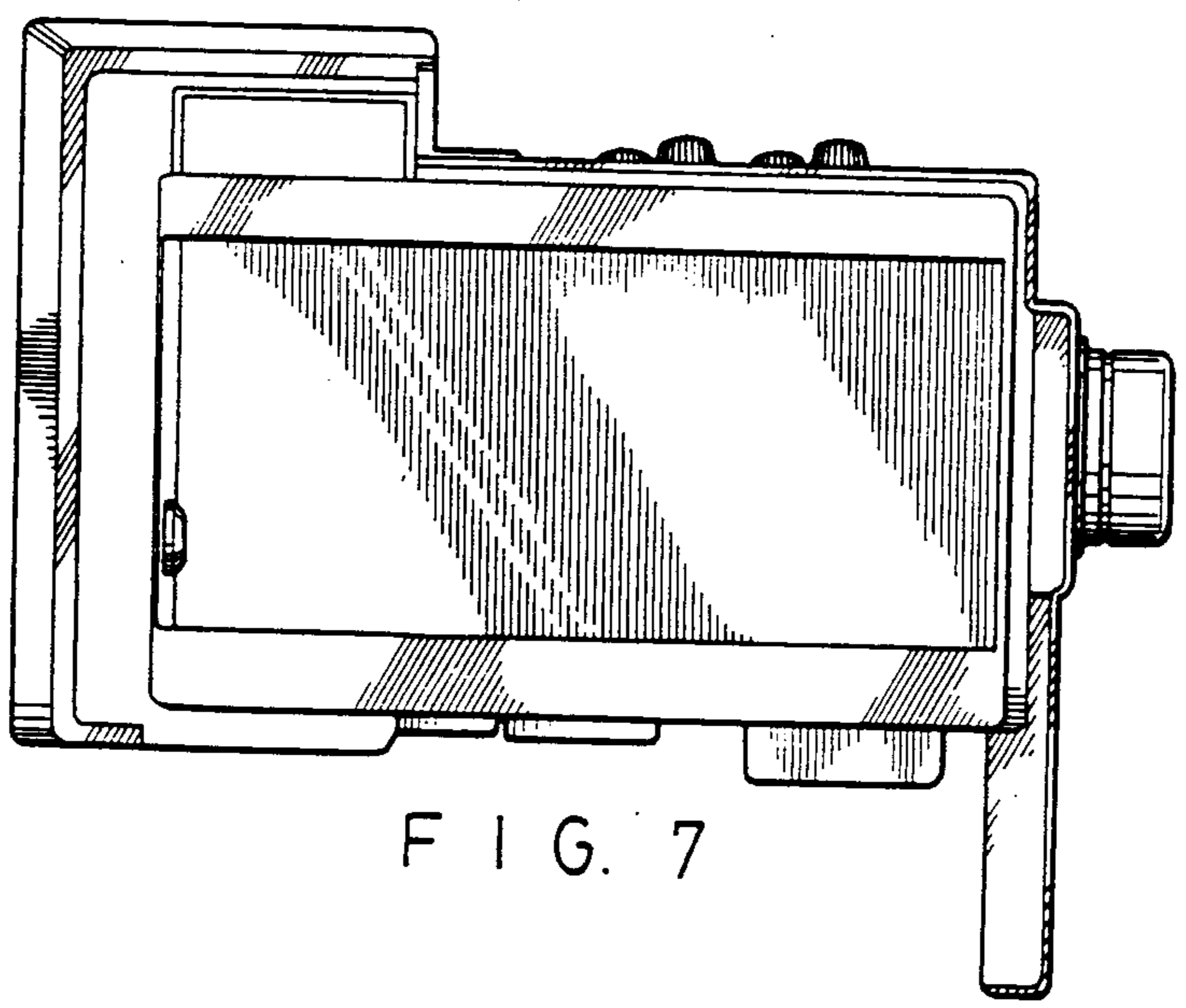


FIG. 7