

United States Patent [19]

Taylor

[11] Patent Number: Des. 292,920

[45] Date of Patent: ** Nov. 24, 1987

[54] DIALING BACK PLATE FOR A HANDSET TELEPHONE

[75] Inventor: Terrance N. Taylor, Cary, Ill.

[73] Assignee: Motorola, Inc., Schaumburg, Ill.

[*] Notice: The portion of the term of this patent subsequent to Nov. 3, 2001 has been disclaimed.

[**] Term: 14 Years

[21] Appl. No.: 836,200

[22] Filed: Feb. 25, 1986

[52] U.S. Cl. D14/62; D14/66; D14/64

[58] Field of Search D14/53, 60, 62, 64, D14/63; 179/179, 100 R, 100 D, 100 C, 100 L, 101, 103, 18 AD; 455/89, 90

[56] References Cited

U.S. PATENT DOCUMENTS

D. 234,605	3/1977	Larson	D14/53
D. 236,627	9/1975	Henshaw et al.	D14/63
D. 244,209	5/1977	Bliven	D14/53
D. 246,043	10/1977	Taylor	D14/53
D. 246,103	10/1977	Taylor	D14/53
D. 255,681	7/1980	Read et al.	D14/64
D. 259,787	7/1981	Nagele	D14/68
D. 266,089	9/1982	Von De Ven	D14/71
D. 270,635	9/1983	Bloem, Sr.	D14/64

D. 270,835	10/1983	Taylor	D14/64
D. 271,491	11/1983	Taylor	D14/76
D. 272,534	2/1984	Wong et al.	D14/68
D. 275,006	8/1984	Danielson et al.	D14/63
D. 275,752	10/1984	Mahan	D14/59
D. 277,098	1/1985	Mark	D14/68
D. 286,778	11/1986	Beaumont	D14/64
4,153,822	5/1979	Ueda et al.	179/90 K

OTHER PUBLICATIONS

"Privacy Plus" 1000 Radiophone, Equipment catalog sheet, No. R3-8.7-18, Motorola, Inc. 1984.

Primary Examiner—Wallace R. Burke

Assistant Examiner—Horace B. Fay

Attorney, Agent, or Firm—Raymond A. Janski; Rolland R. Hackbart

[57] CLAIM

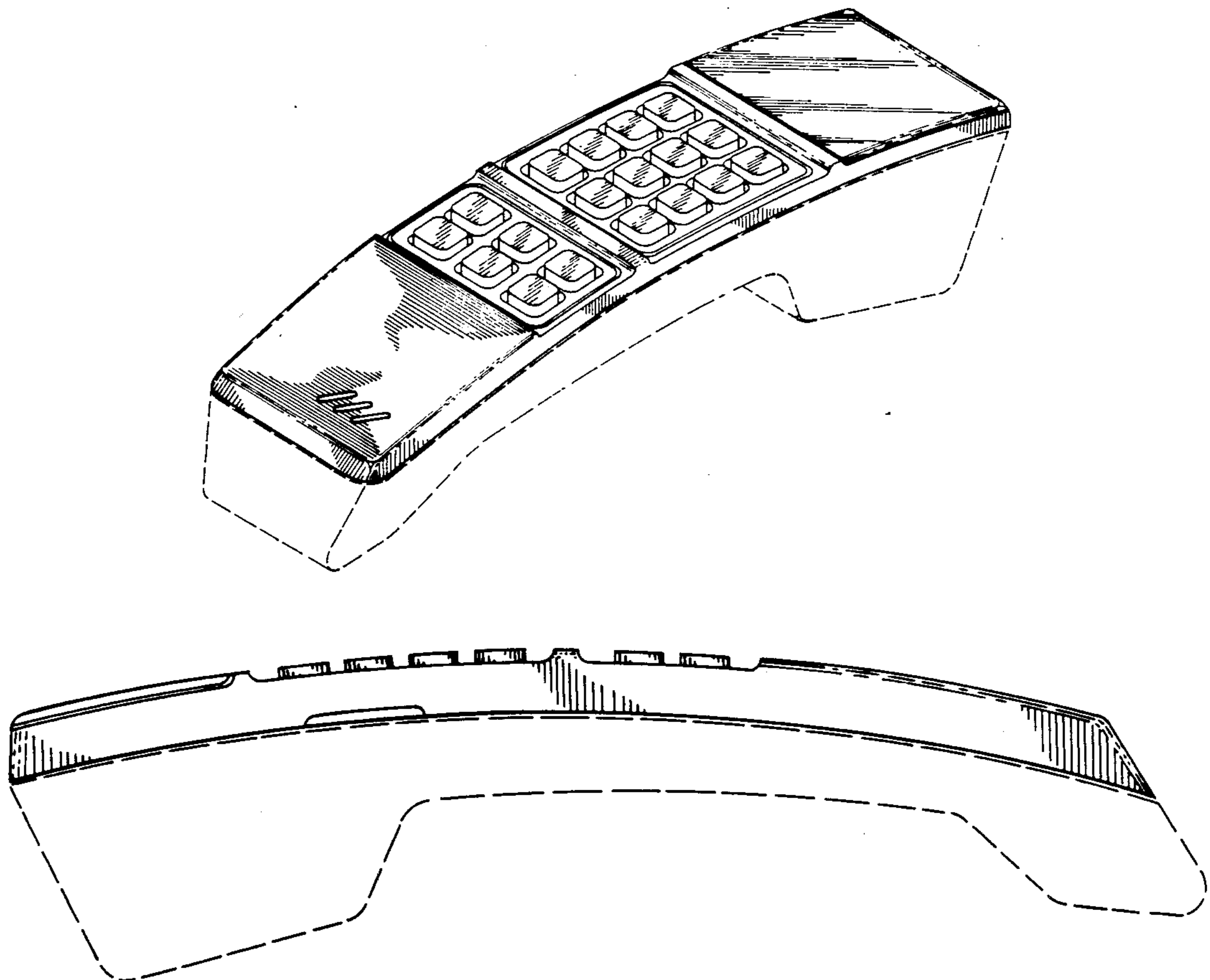
The ornamental design for a dialing back plate for a handset telephone, substantially as shown and described.

DESCRIPTION

FIG. 1 is a rear, top and right side perspective view of a dialing back plate for a handset telephone showing my new design in full lines with the broken line matter being for illustrative, environmental purposes only, and forming no part of the claimed design;

FIG. 2 is a left side elevational view thereof; and

FIG. 3 is a front elevational view thereof.



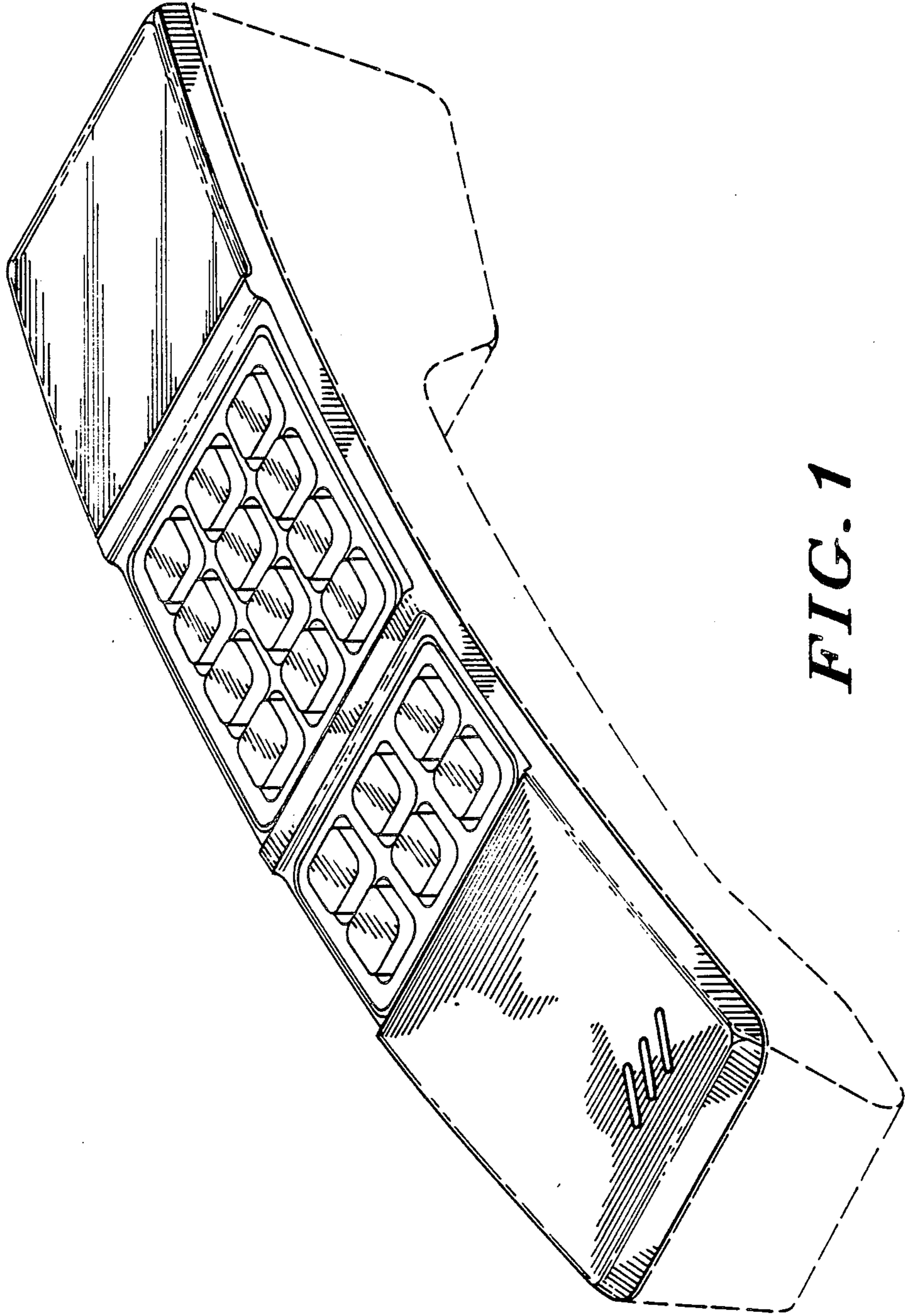


FIG. 1



FIG. 2

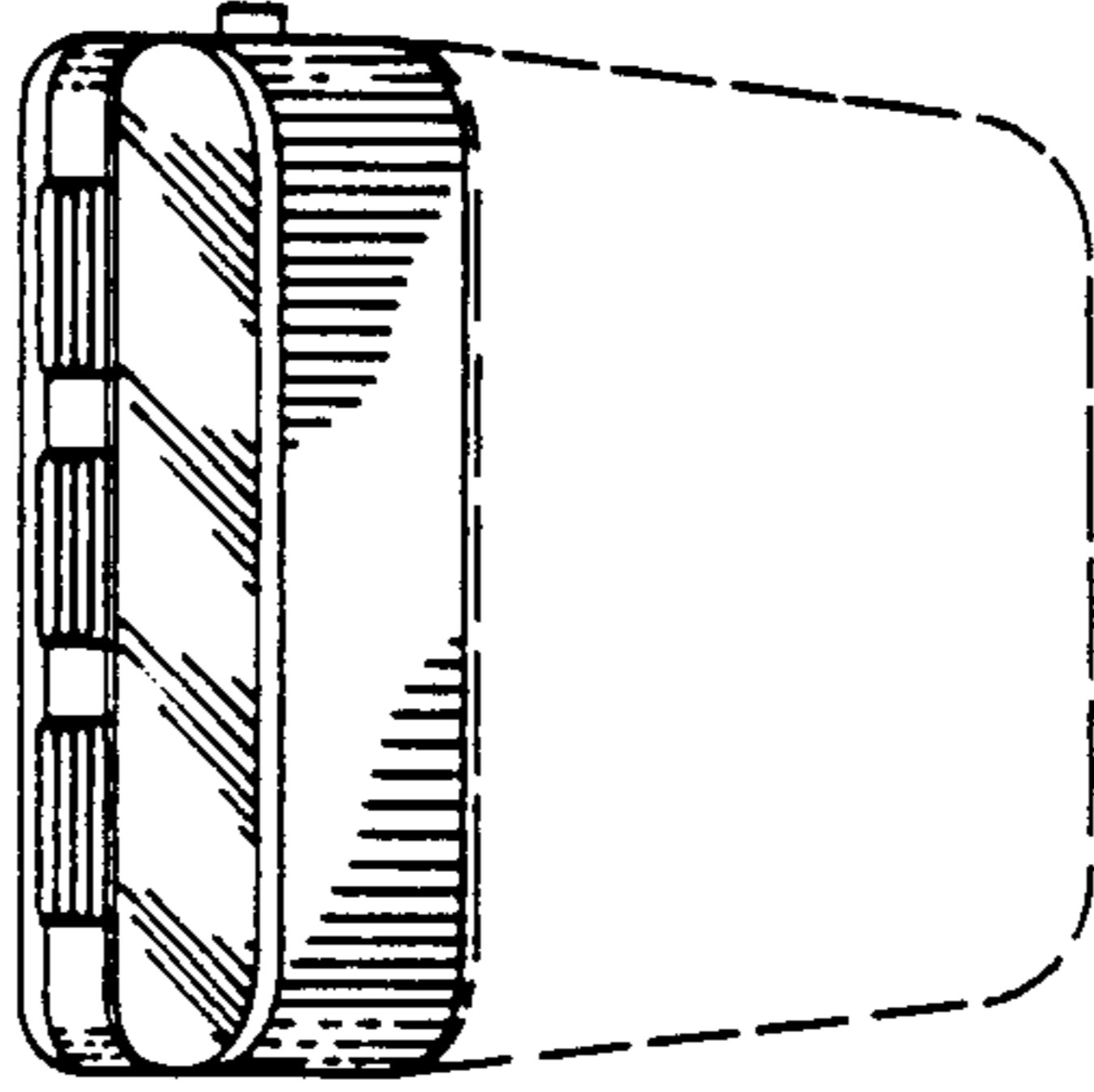


FIG. 3