

[54] TELEPHONE

- [75] Inventor: Rick Graham, North Hollywood, Calif.
- [73] Assignee: TeleQuest, Inc., San Diego, Calif.
- [**] Term: 14 Years
- [21] Appl. No.: 889,101
- [22] Filed: Jul. 22, 1986
- [52] U.S. Cl. D14/53; D14/30; D14/62; D14/63; 379/434
- [58] Field of Search D14/53, 60, 62, 63, D14/30; D21/111; 446/141-143; 379/434, 433, 436, 432, 428

[56] References Cited

U.S. PATENT DOCUMENTS

| | | | | |
|------------|---------|-----------------|-------|----------|
| D. 234,605 | 3/1975 | Larson | | D14/53 |
| D. 258,656 | 3/1981 | Vaughan et al. | | D14/64 |
| D. 284,761 | 7/1986 | Ryan | | D14/53 |
| D. 285,197 | 8/1986 | Bressler et al. | | D14/64 X |
| 1,435,243 | 11/1922 | Kelsay | | D14/64 X |
| 2,039,625 | 5/1936 | Blount | | D14/64 X |
| 4,179,590 | 12/1979 | Snow | | 379/388 |

Primary Examiner—Wallace R. Burke
 Assistant Examiner—Horace B. Fay
 Attorney, Agent, or Firm—Spensley Horn Jubas & Lubitz

[57] CLAIM

The ornamental design for a telephone, substantially as shown.

DESCRIPTION

- FIG. 1 is a perspective view of the telephone from the top-front.
- FIG. 2 is a perspective view of the telephone from the bottom-back.
- FIG. 3 is a front view.
- FIG. 4 is a back view.
- FIG. 5 is a top view of the telephone receiver.
- FIG. 6 is a bottom view of the telephone receiver receptacle.
- FIG. 7 is an end on view of the right end of the telephone.
- FIG. 8 is an end on view of the left end of the telephone.
- FIG. 9 is a perspective view of the telephone receptacle from the front-top.
- FIG. 10 is a front view of the telephone receptacle.
- FIG. 11 is a rear view of the telephone receptacle.
- FIG. 12 is a bottom view of the telephone receiver.
- FIG. 13 is an end on view from the left end of the telephone receptacle without the telephone receiver attached.
- FIG. 14 is an end on view from the right end of the telephone receptacle without the telephone receiver attached.
- FIG. 15 is a front view of the telephone receiver.
- FIG. 16 is a bottom view of the telephone receiver.
- FIG. 17 is an end on view of the left end of the telephone receiver.
- FIG. 18 is an end on view of the right end of the telephone receiver.
- FIG. 19 is a cross-sectional view taken along line 19-19 of FIG. 16.

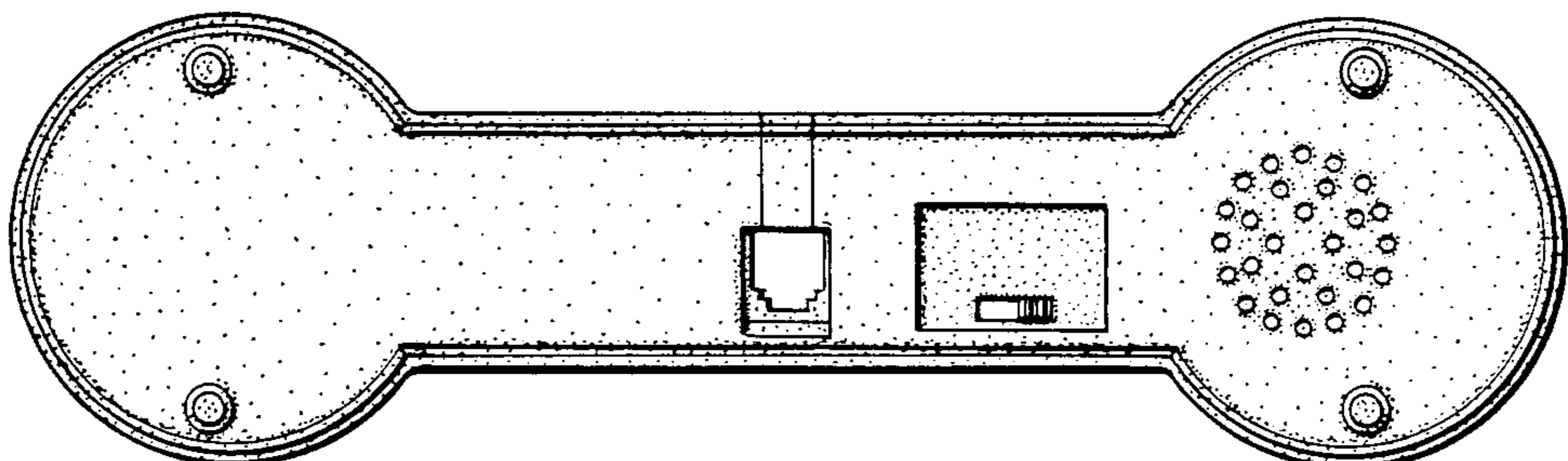
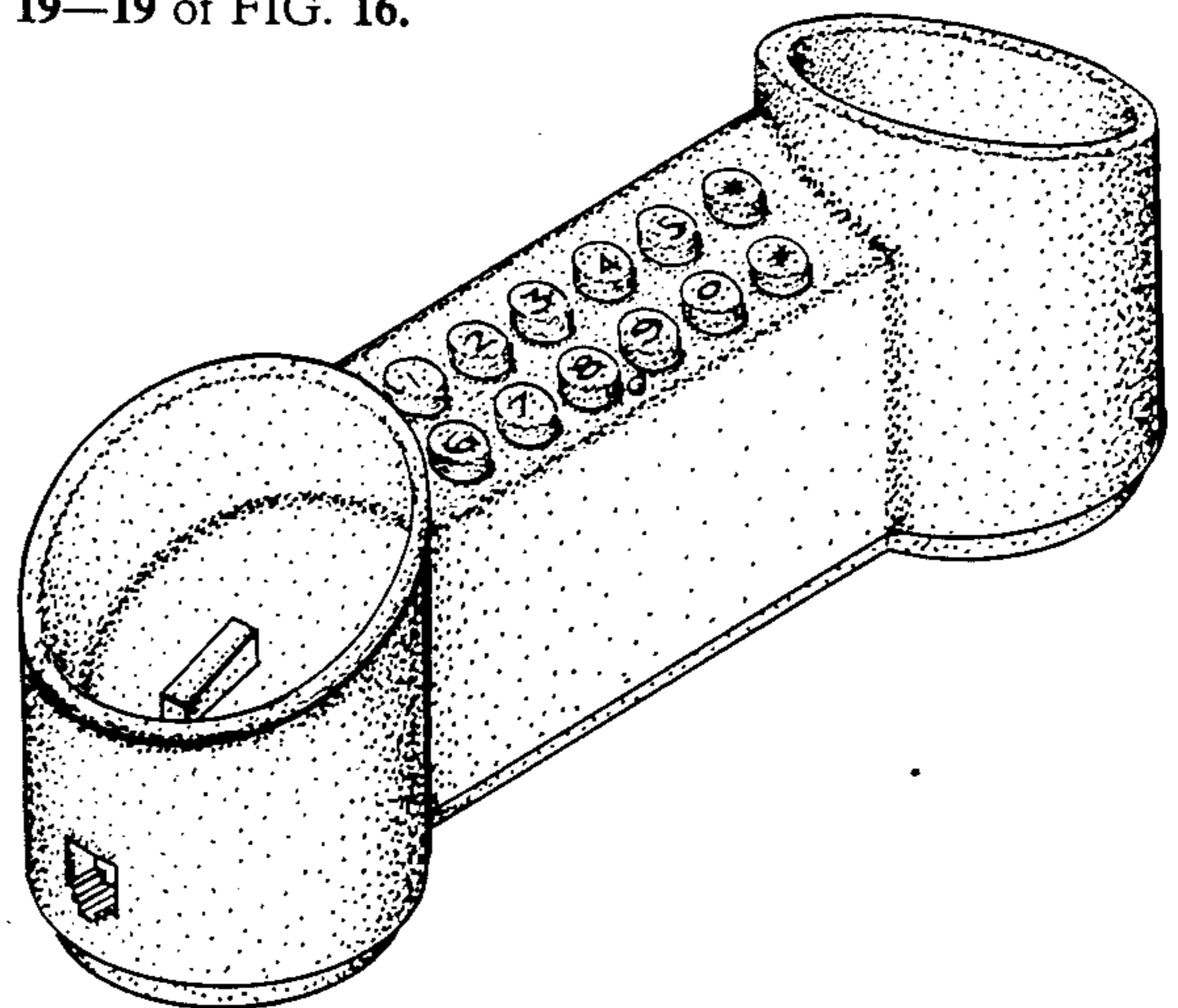
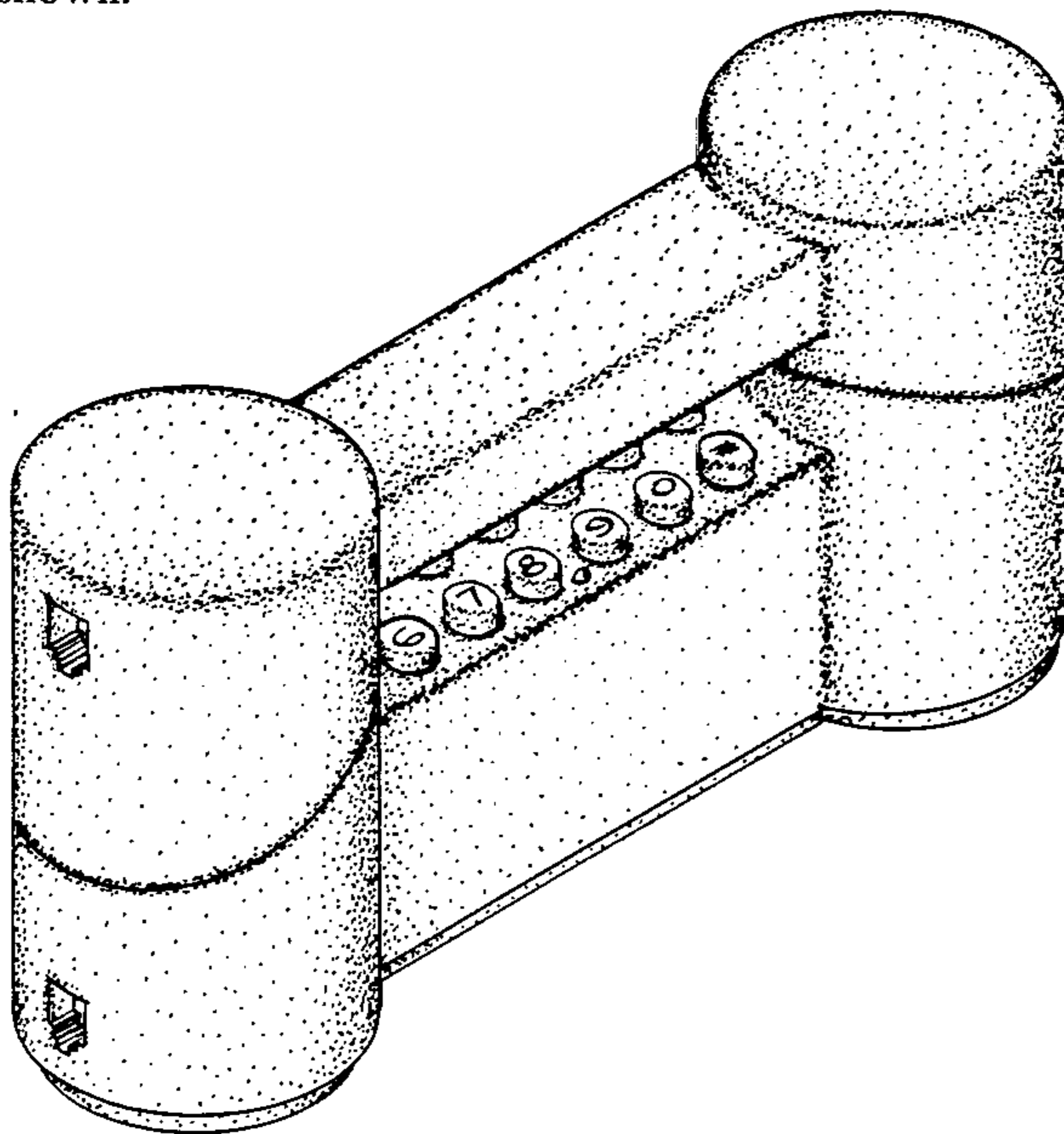


FIG. 1

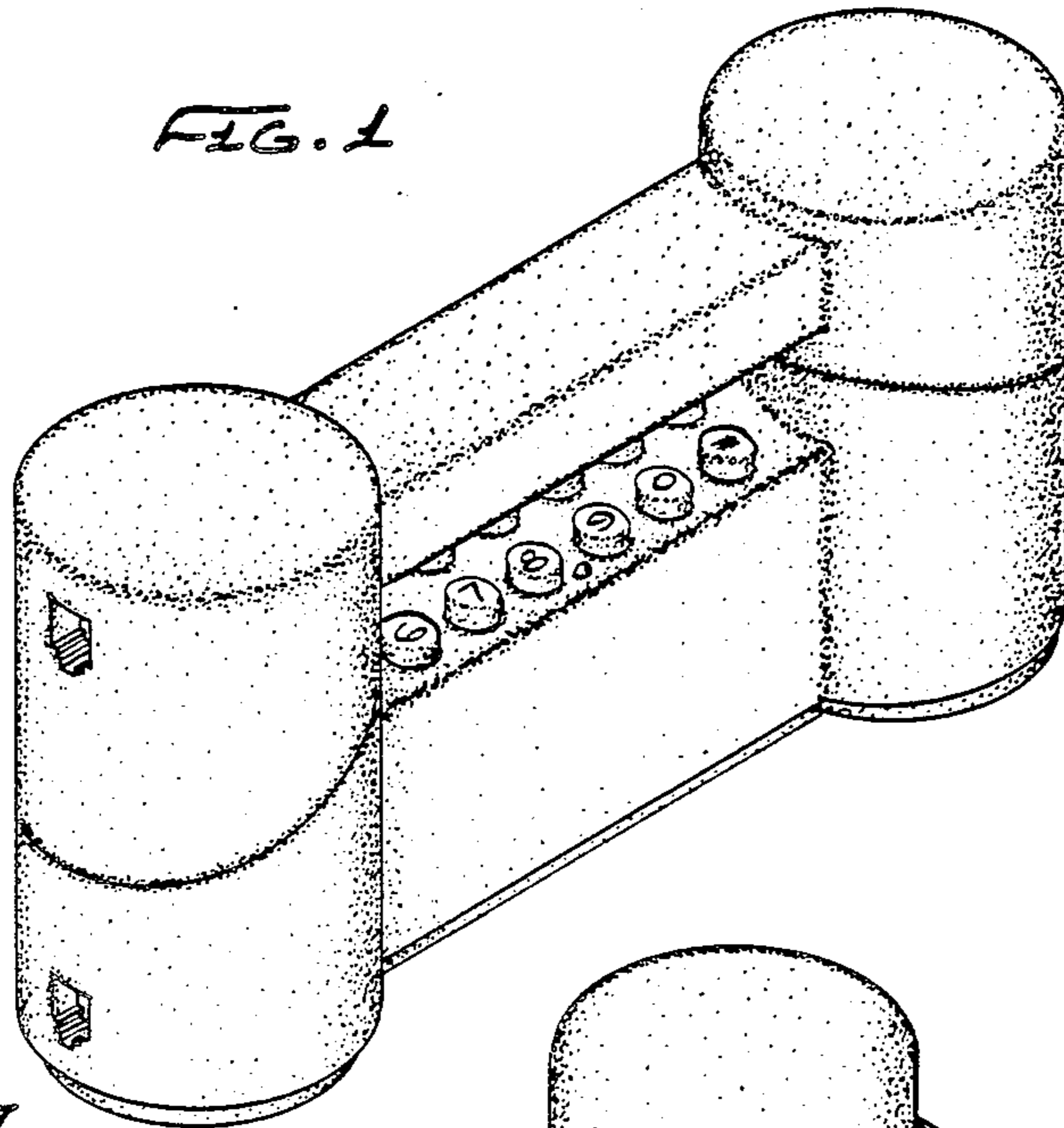


FIG. 2

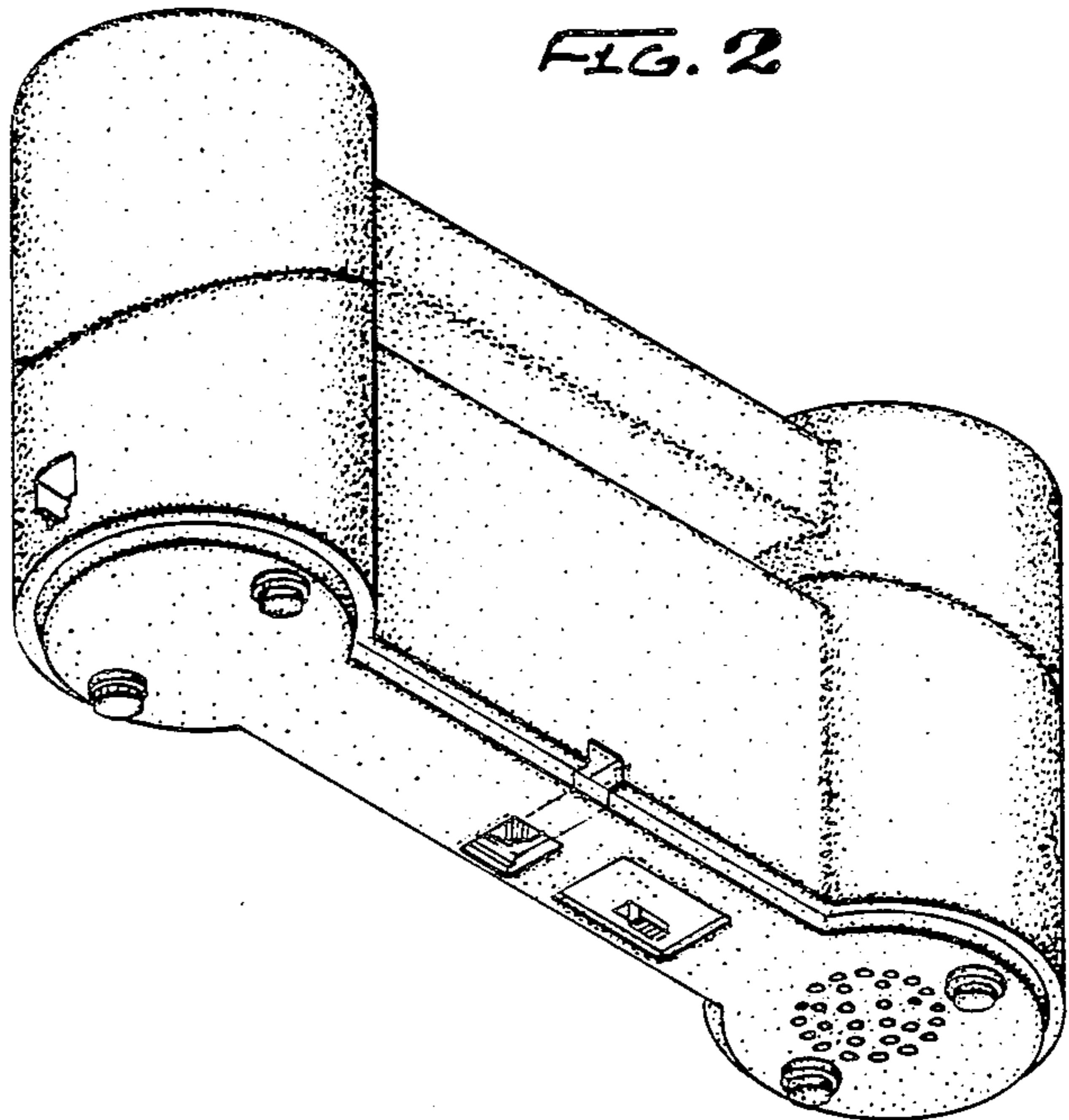


FIG. 7

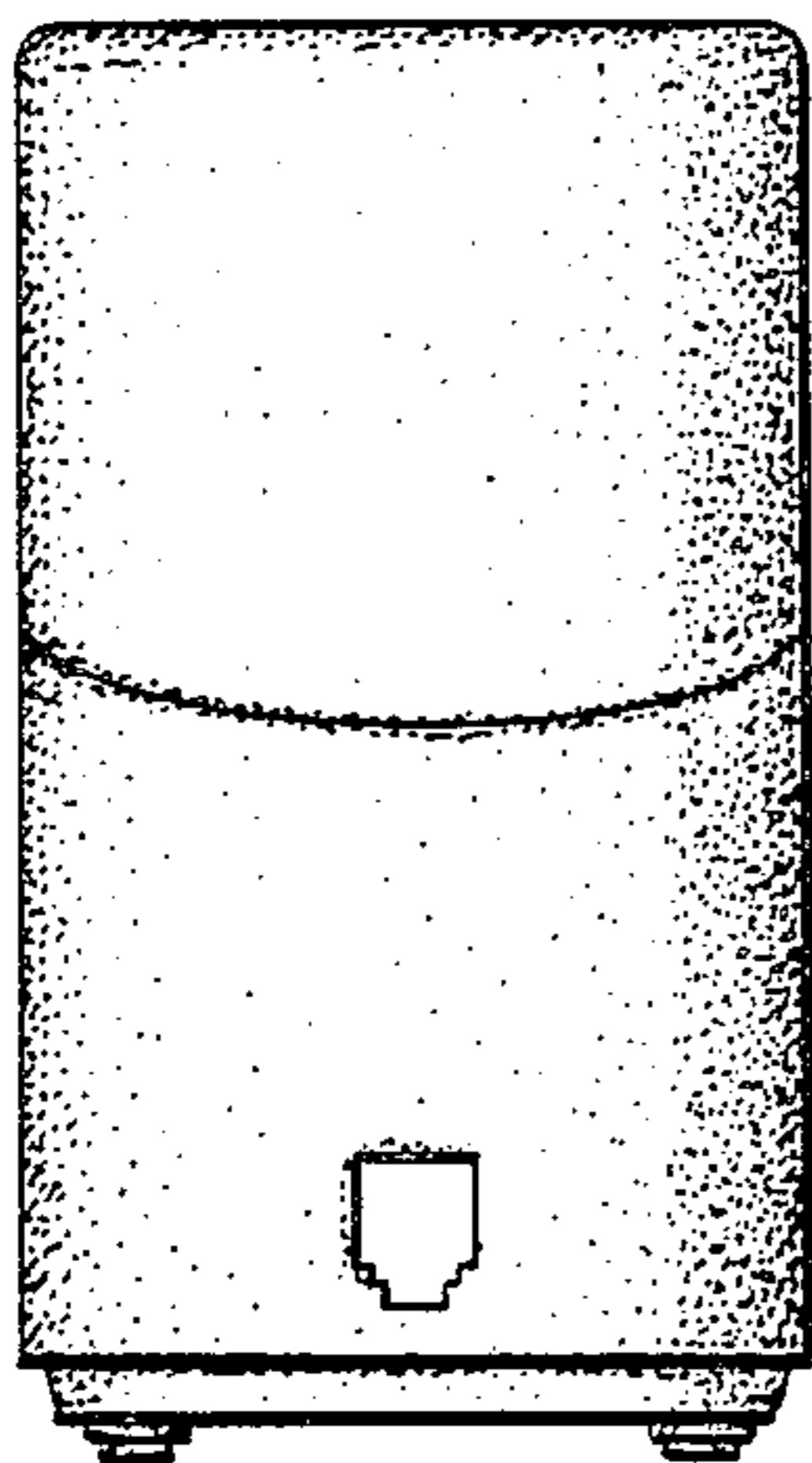


FIG. 8

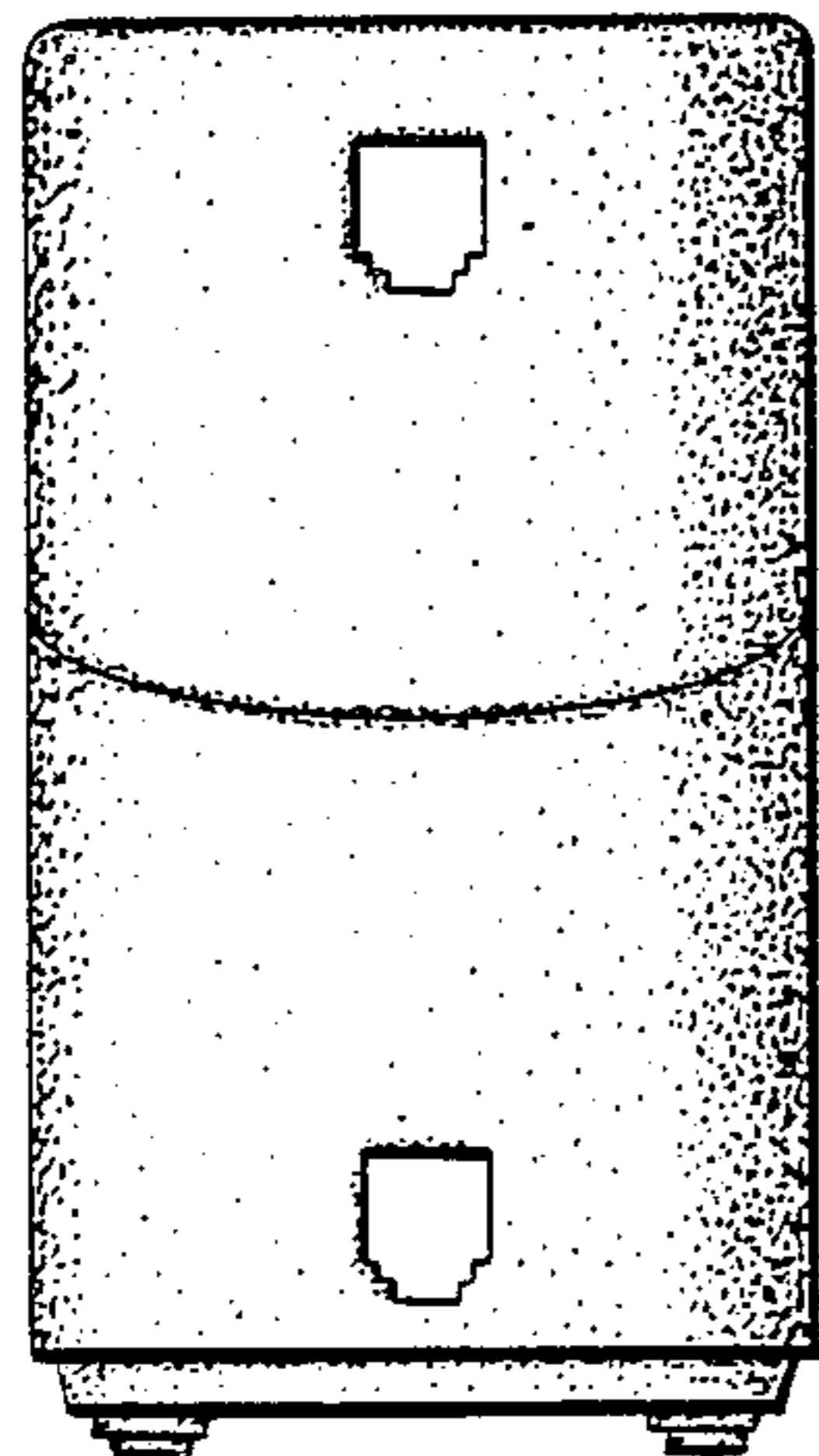


FIG. 9

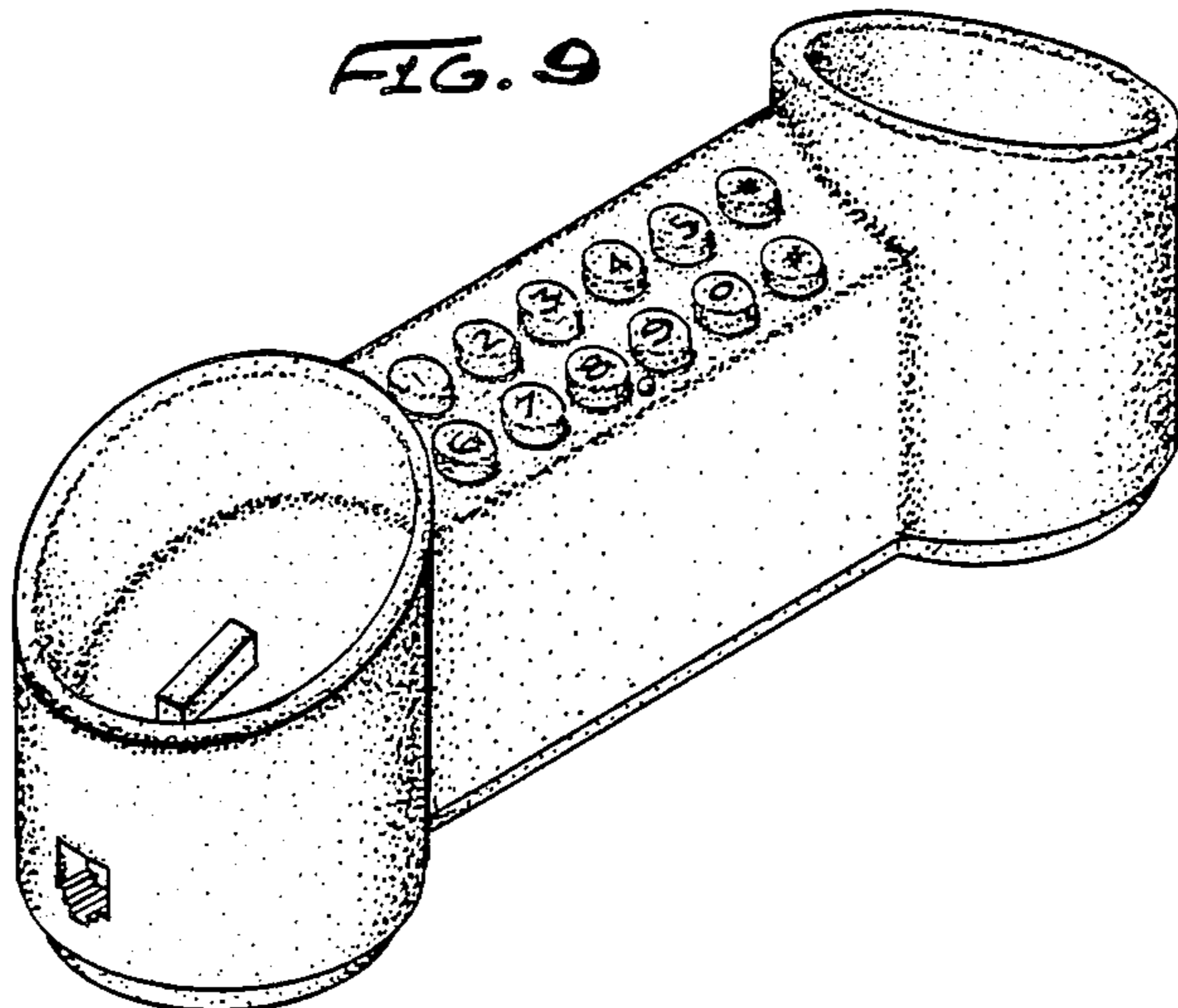


FIG. 3

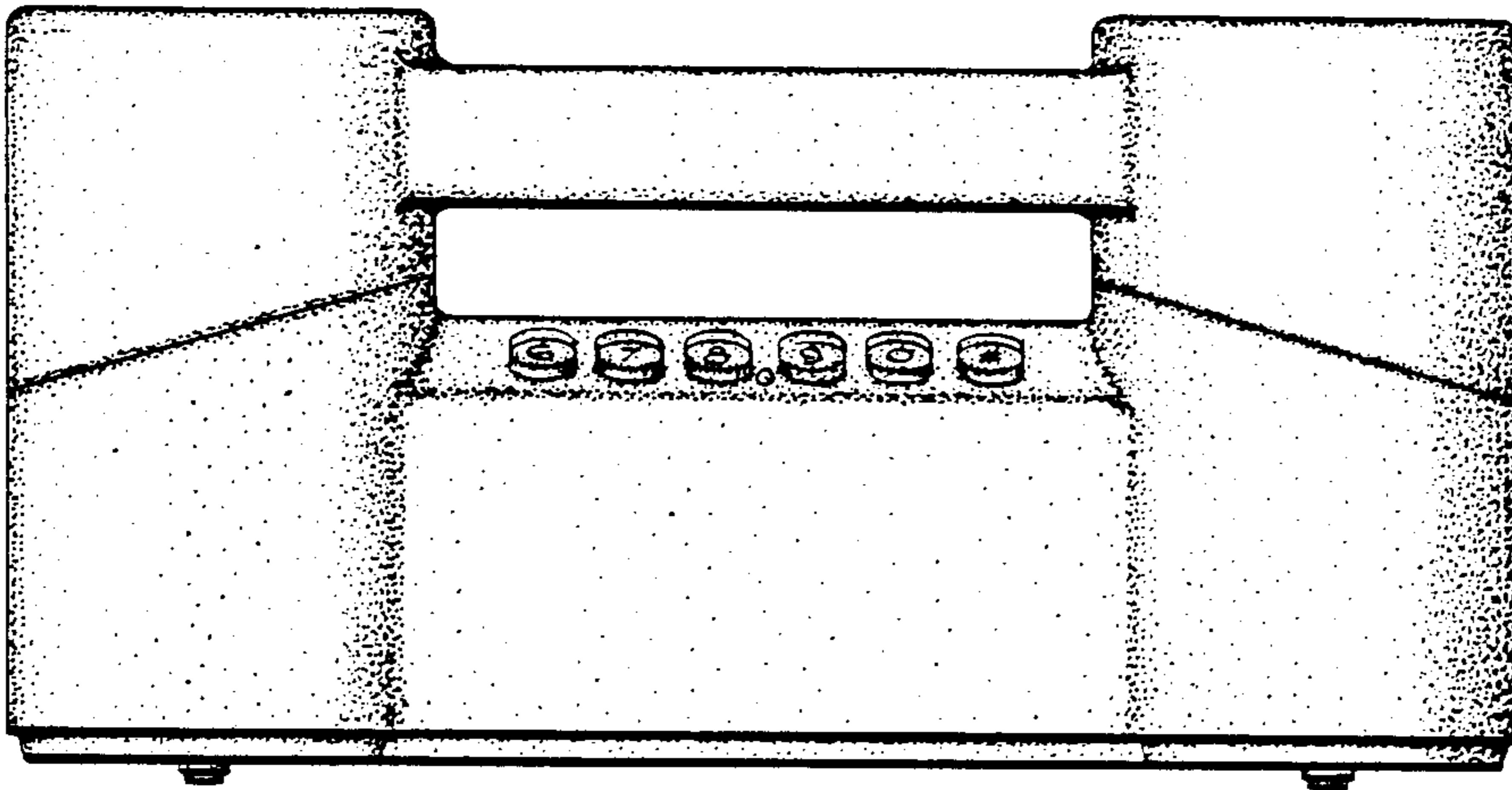


FIG. 4

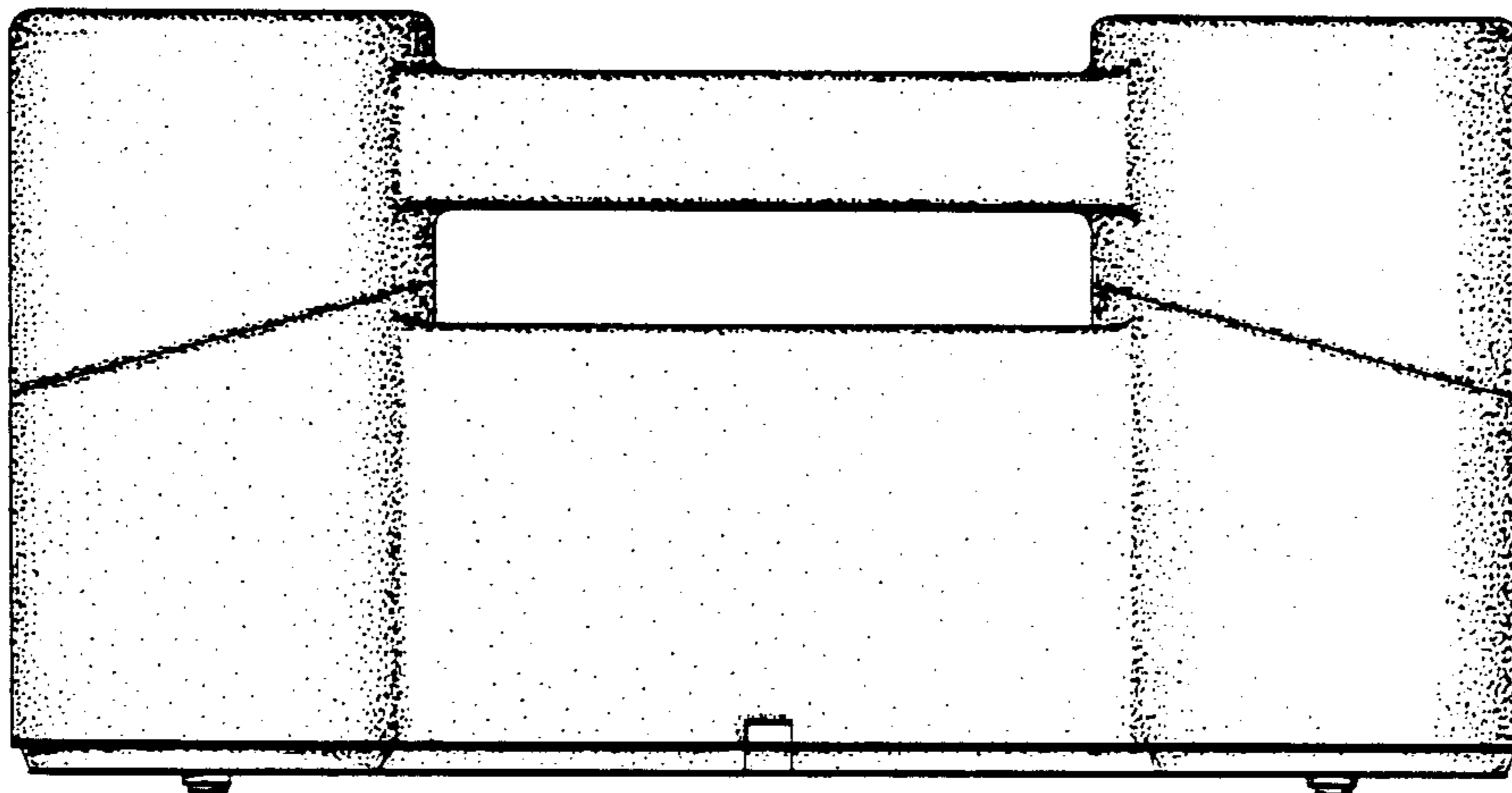


FIG. 5

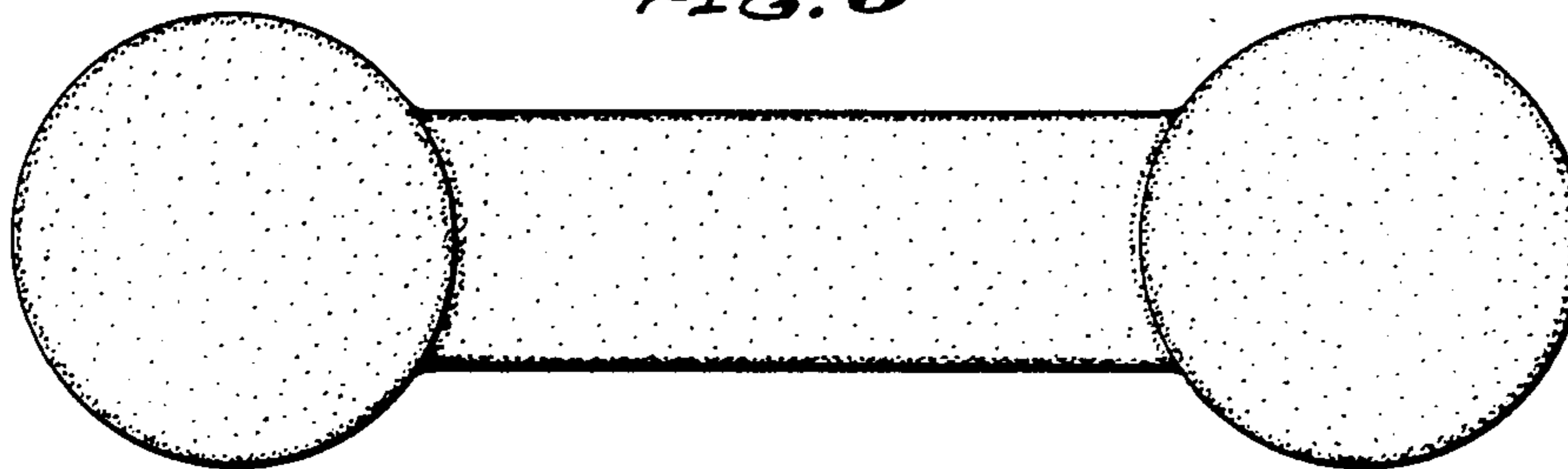


FIG. 6

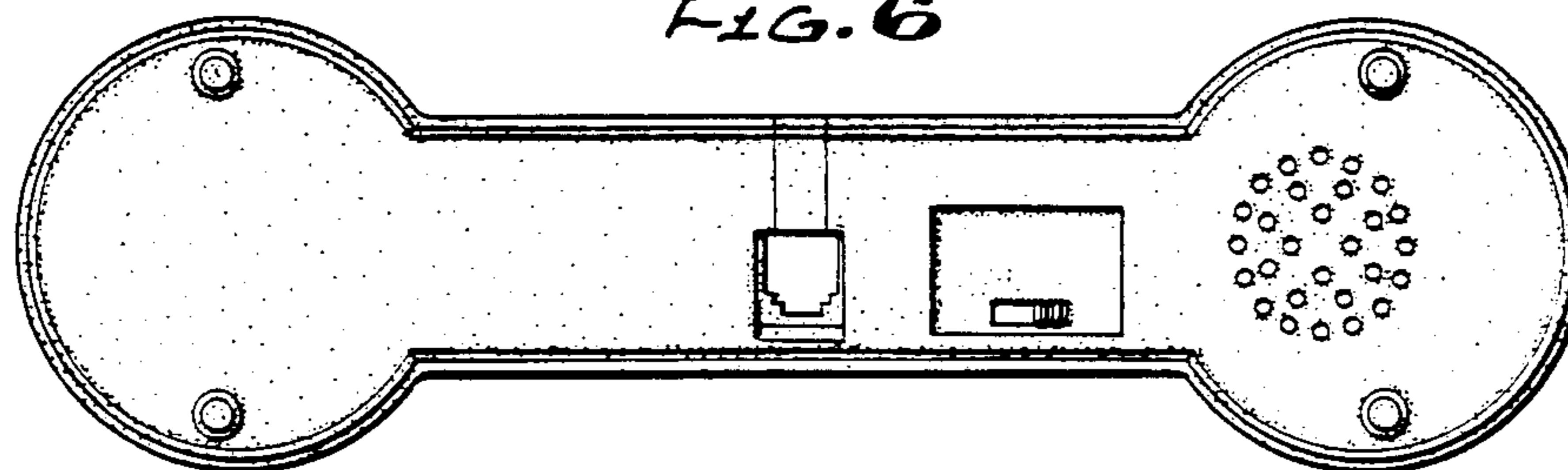


FIG. 10

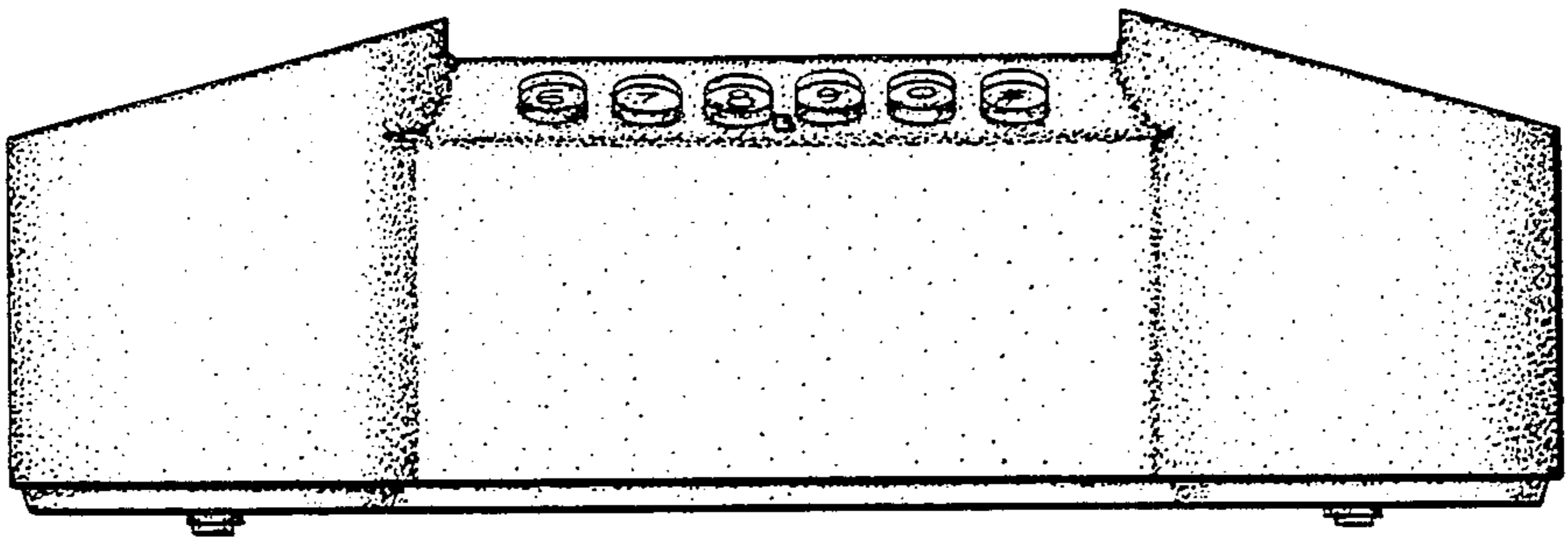


FIG. 11

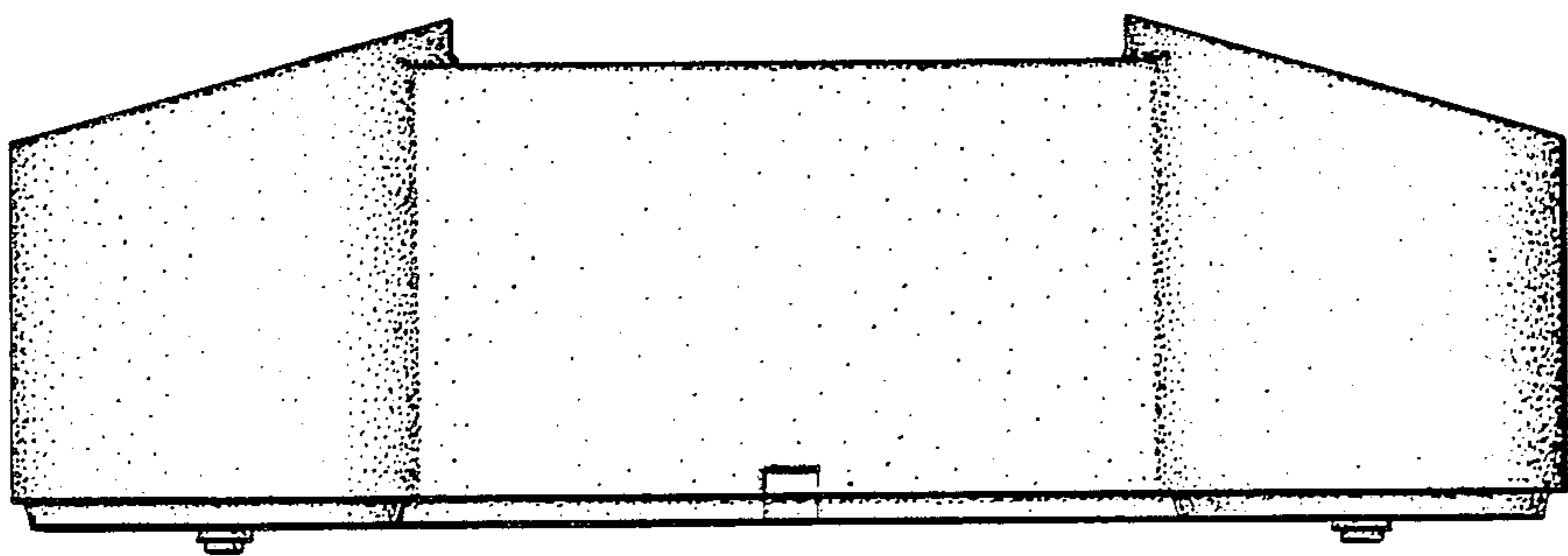


FIG. 12

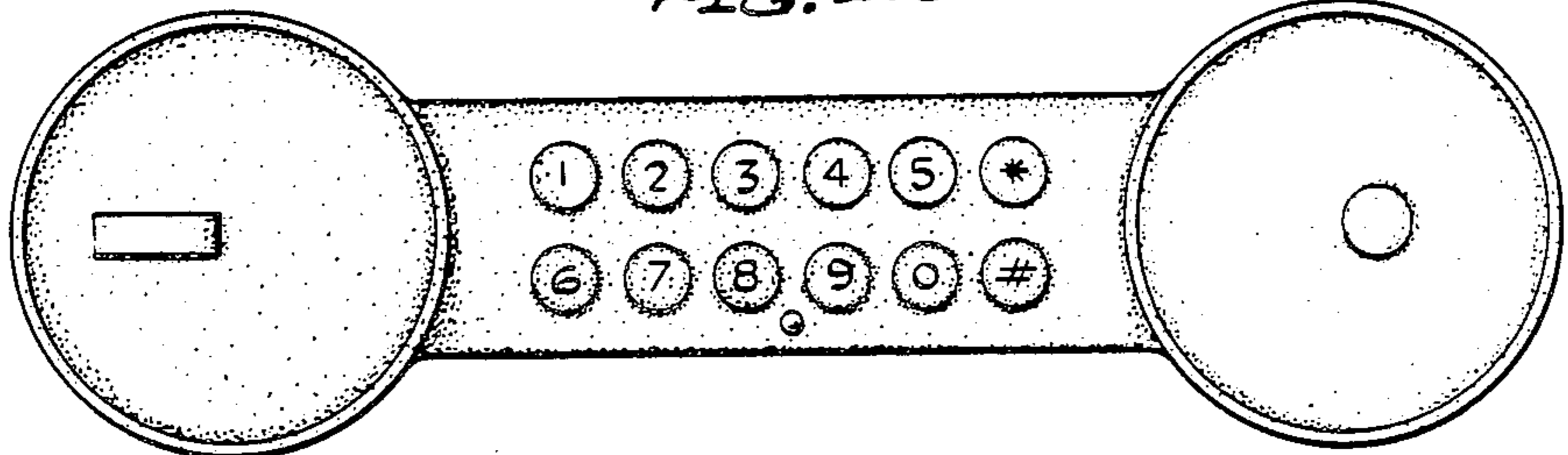


FIG. 13

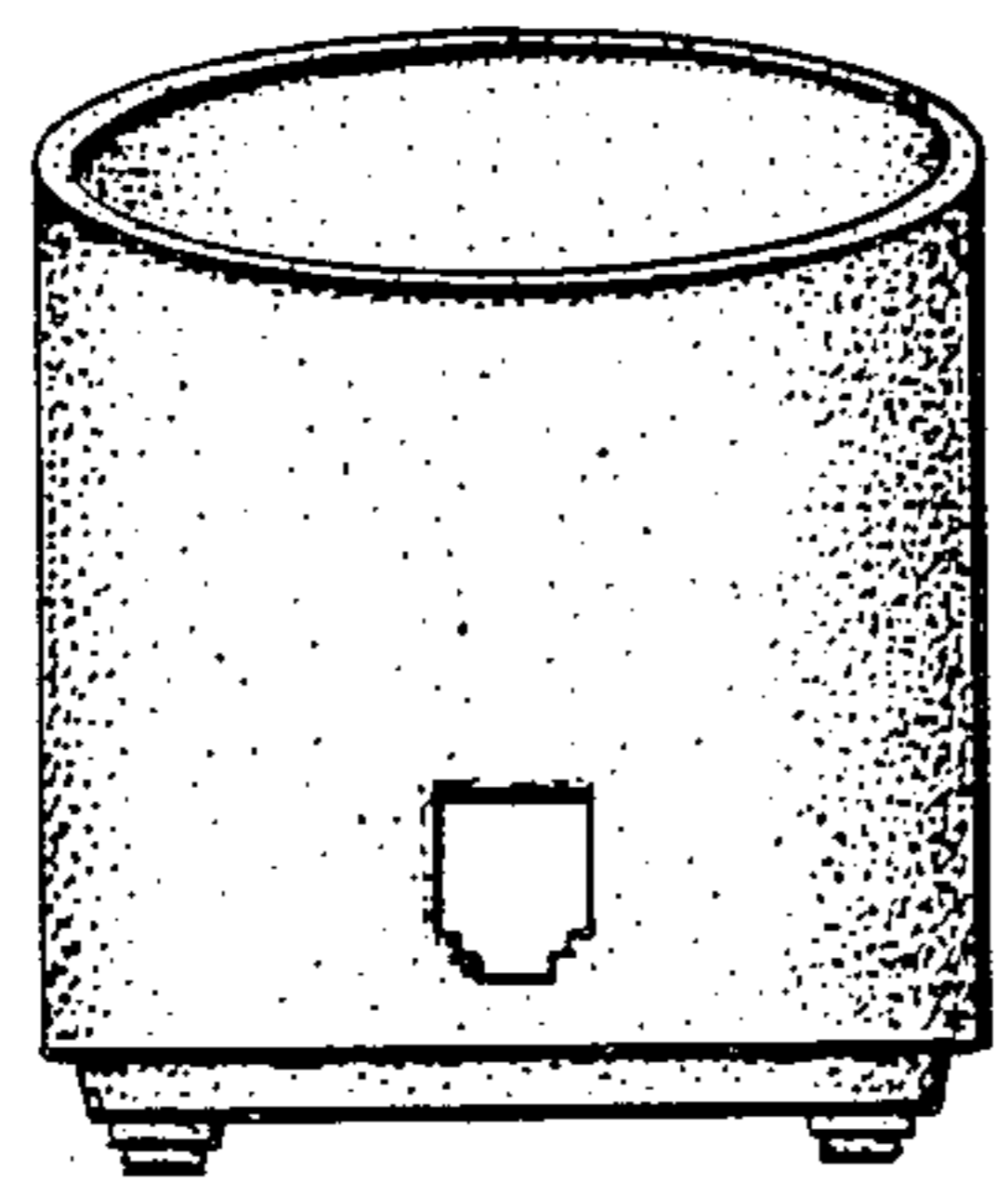


FIG. 14

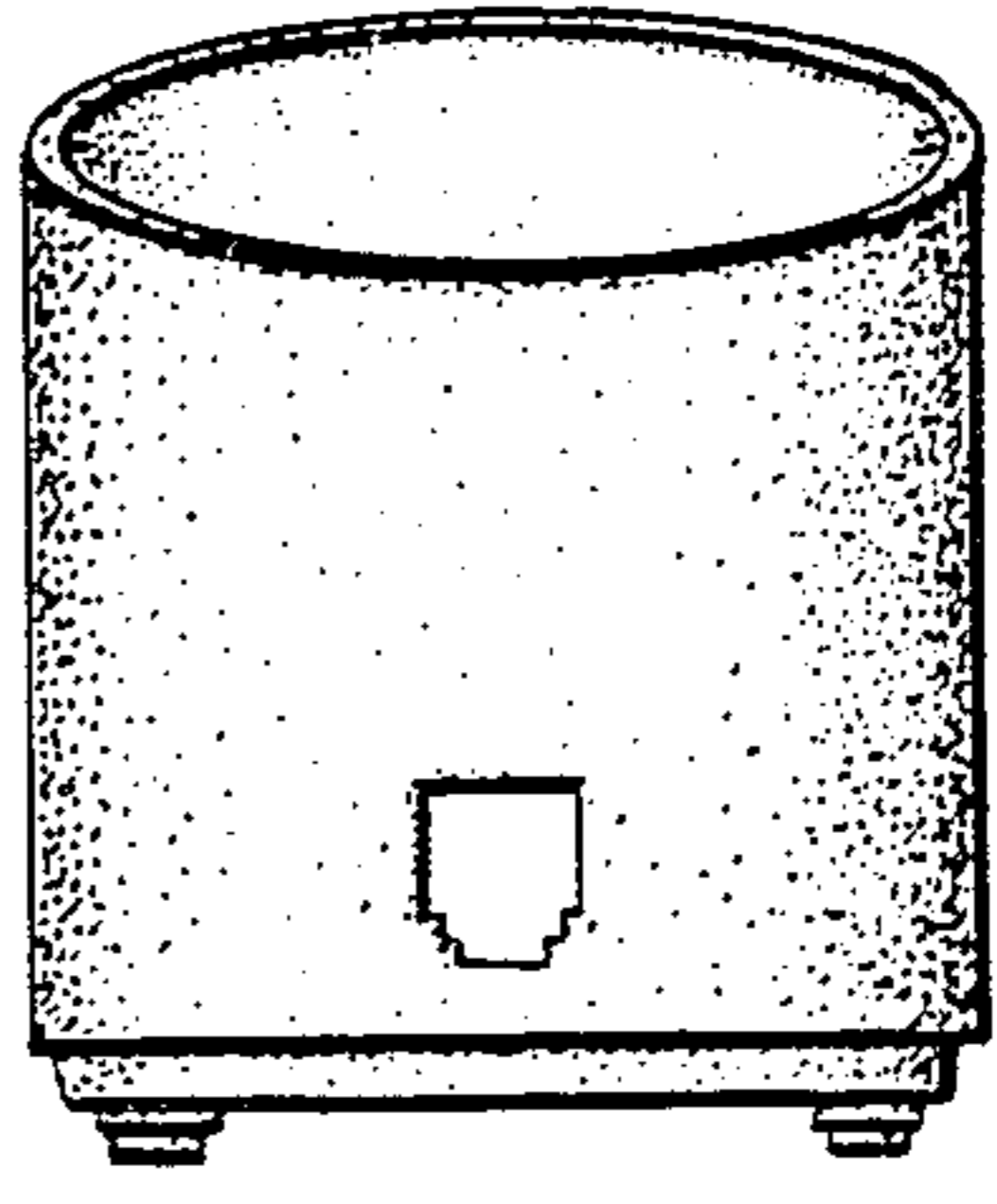


FIG. 15

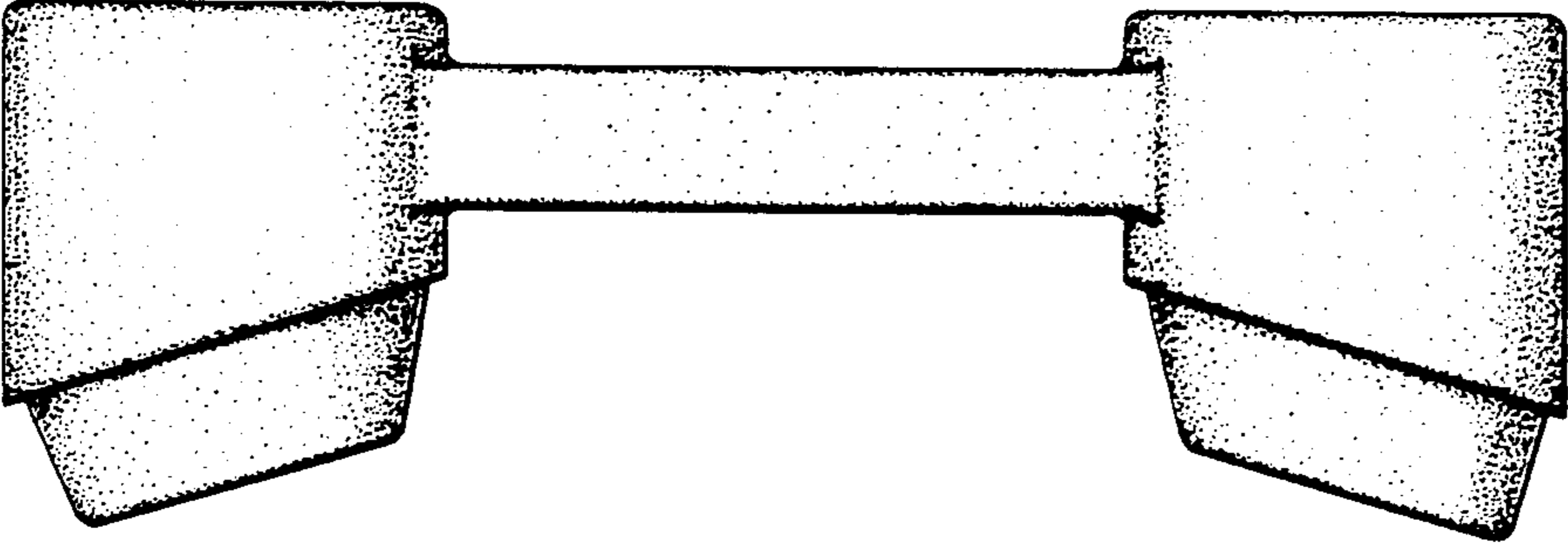


FIG. 16

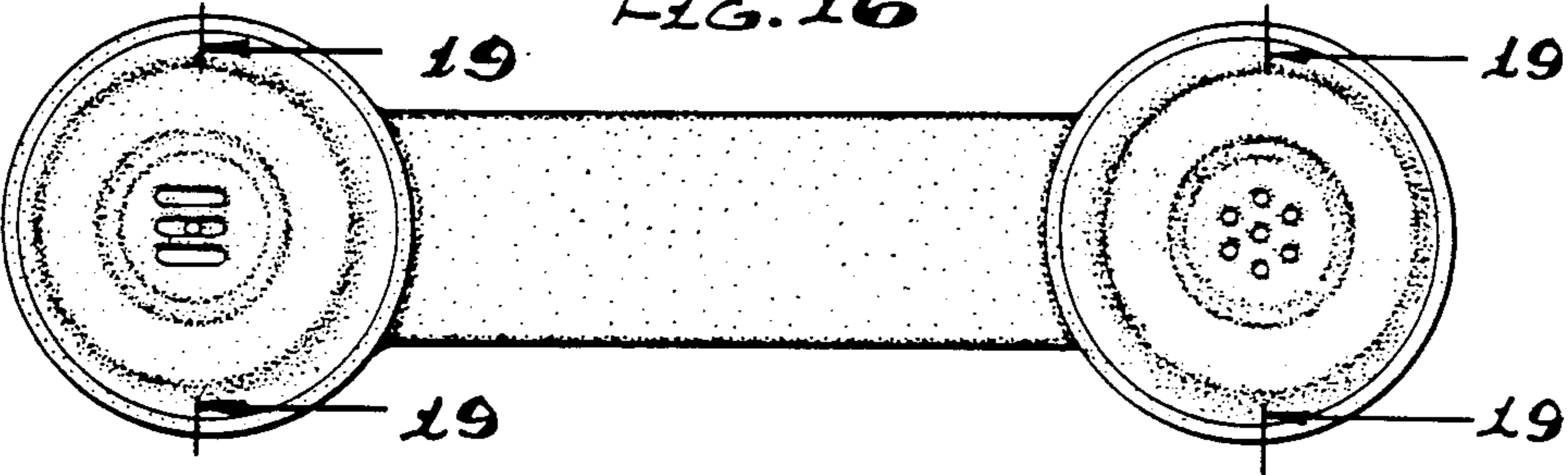


FIG. 17

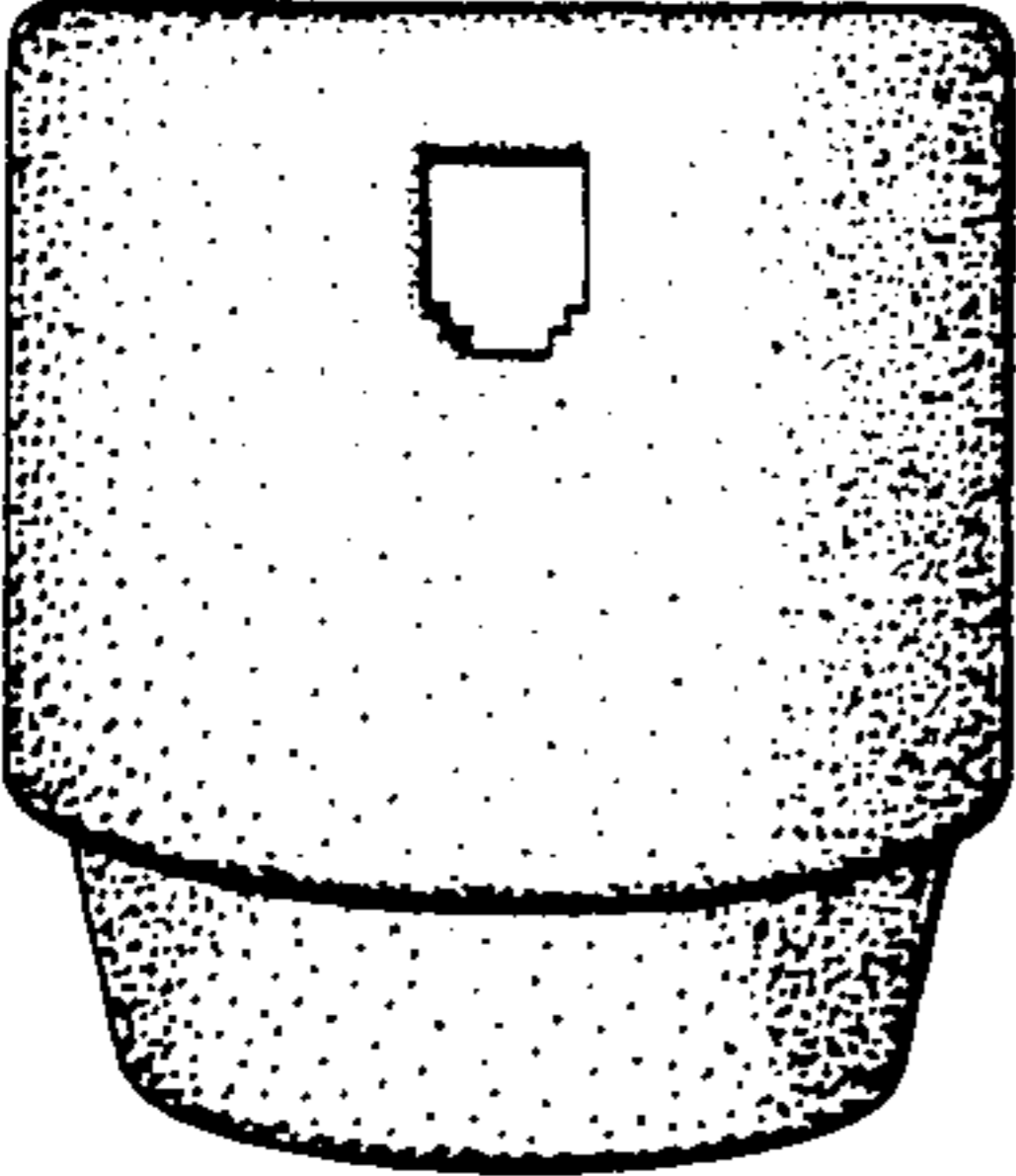


FIG. 18

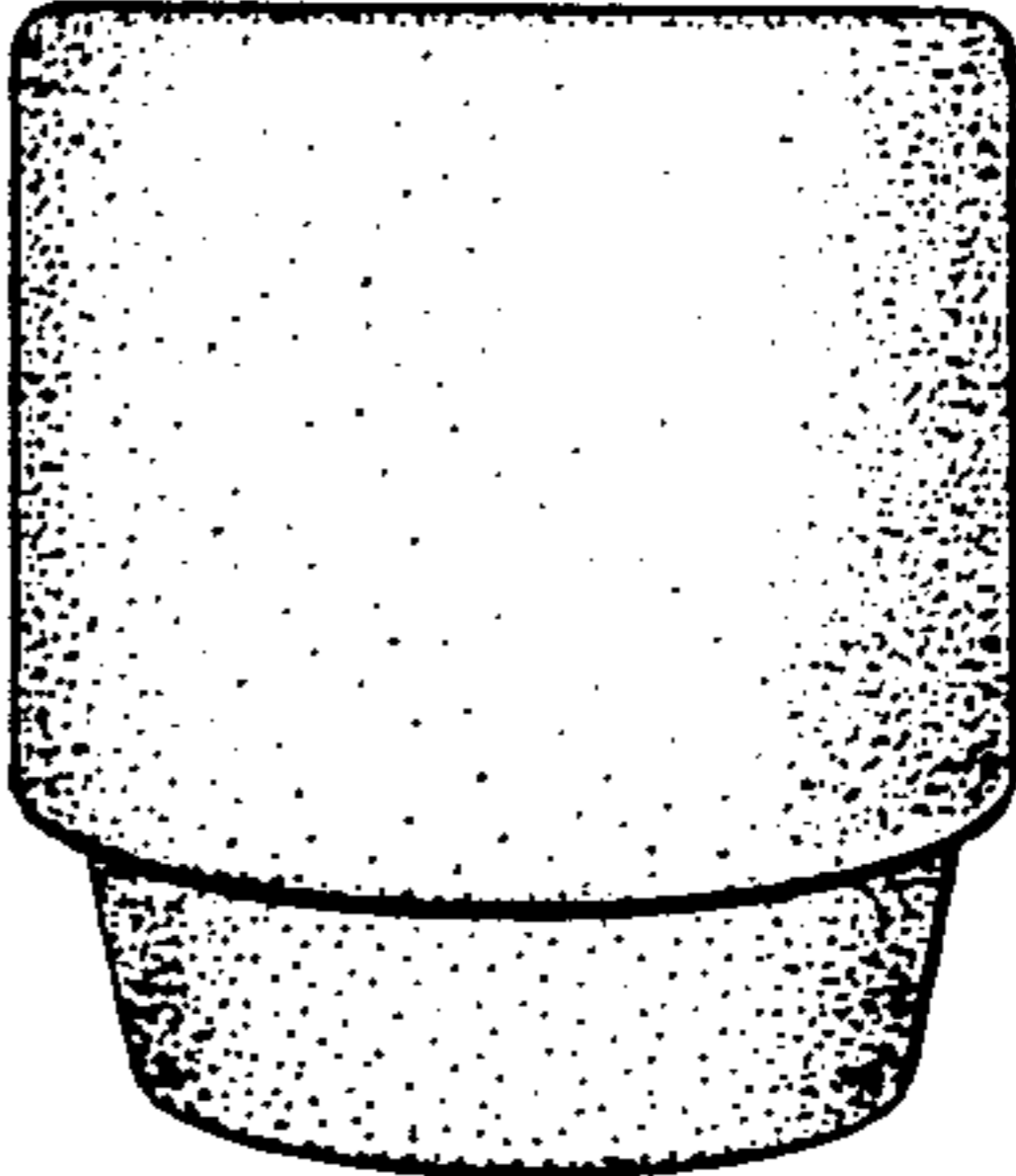


FIG. 19

