

[54] **ADJUSTABLE SPEAKER STAND**
[76] Inventor: **Norman L. Thomasen**, 81 Shoal Dr.,
Daly City, Calif. 94014
[**] Term: **14 Years**
[21] Appl. No.: **739,830**
[22] Filed: **May 31, 1985**
[52] U.S. Cl. **D14/38; D6/449;**
D6/484
[58] Field of Search **D6/422, 449, 480, 484;**
D14/38

D. 260,639 9/1981 Long D14/38
D. 268,108 3/1983 Stearns et al. D6/449 X
D. 288,509 3/1987 Van de Oudeweetering ... D6/431 X

Primary Examiner—Bruce W. Dunkins
Attorney, Agent, or Firm—James F. Mitchell

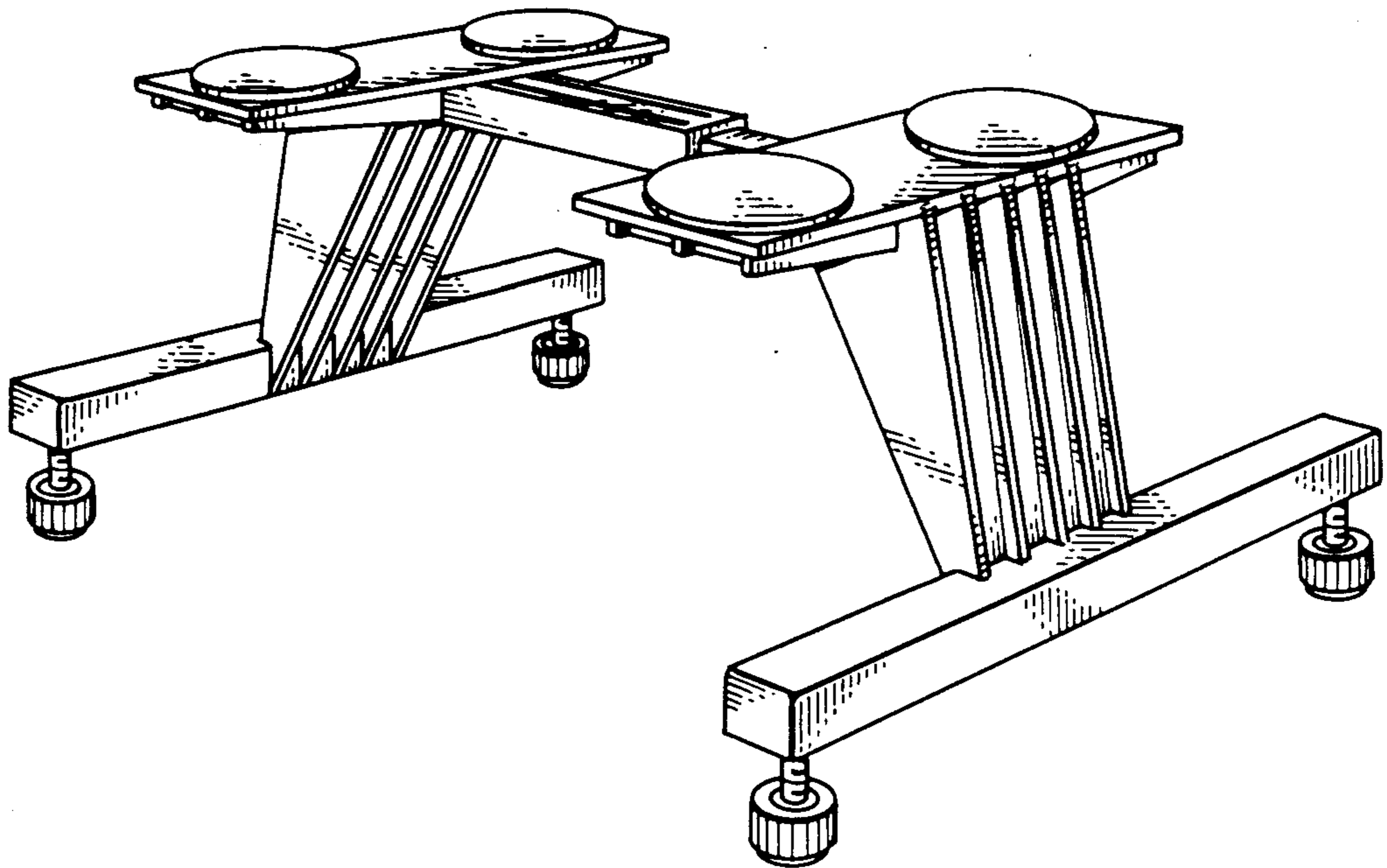
[57] **CLAIM**

The ornamental design for an adjustable speaker stand,
as shown.

DESCRIPTION

FIG. 1 is a perspective view of an adjustable speaker stand showing a new design;
FIG. 2 is a front elevational view of the speaker stand of FIG. 1;
FIG. 3 is an end elevational view of the speaker stand of FIG. 1;
FIG. 4 is a top view of the speaker stand of FIG. 1; and
FIG. 5 is a bottom view of the speaker stand of FIG. 1.

[56] **References Cited**
U.S. PATENT DOCUMENTS
D. 239,629 4/1976 Wiener D14/38
D. 247,035 1/1978 Brodmann D14/38
D. 251,376 3/1979 Brodmann D14/38
D. 257,472 11/1980 Roach D14/38



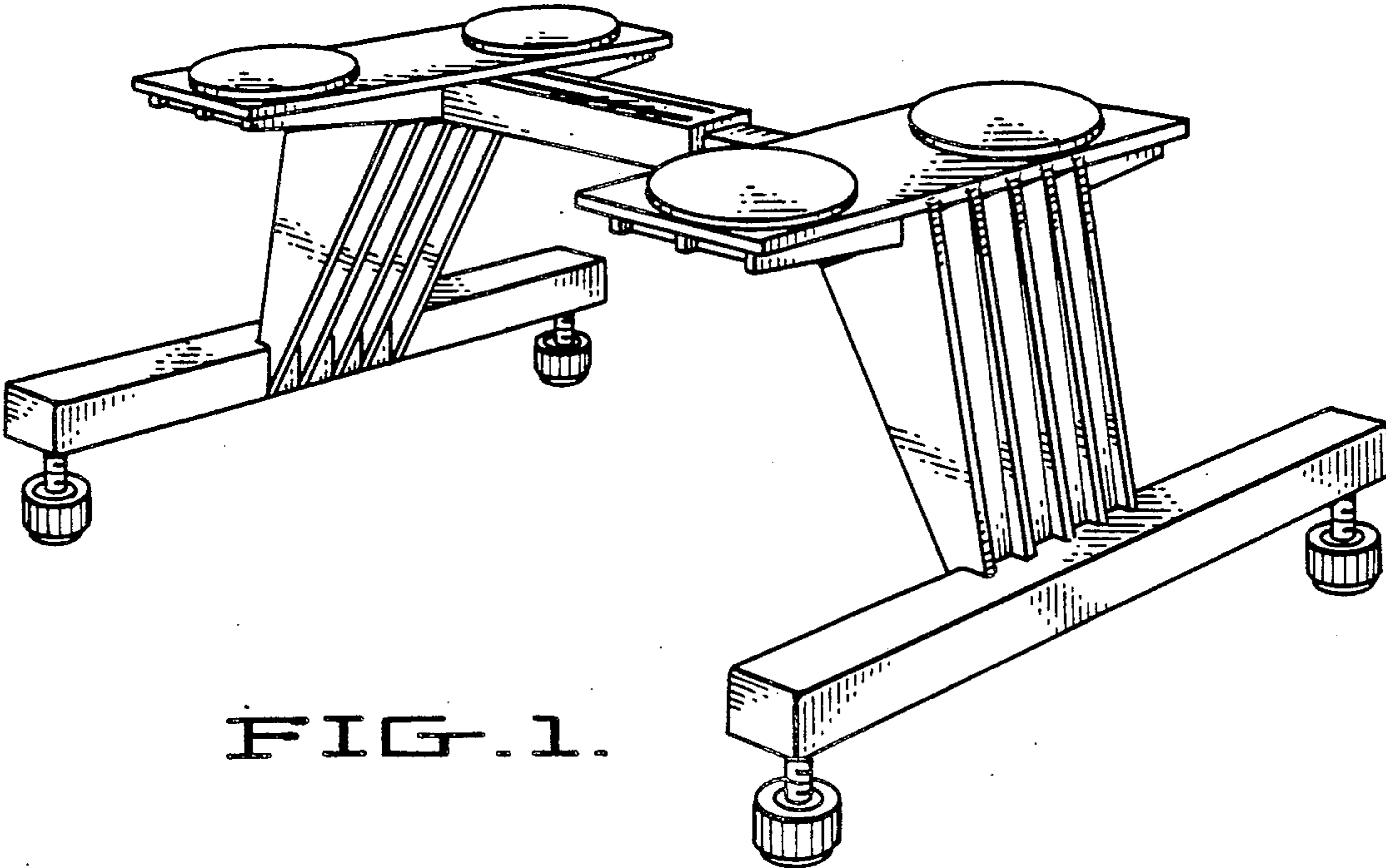


FIG. 1.

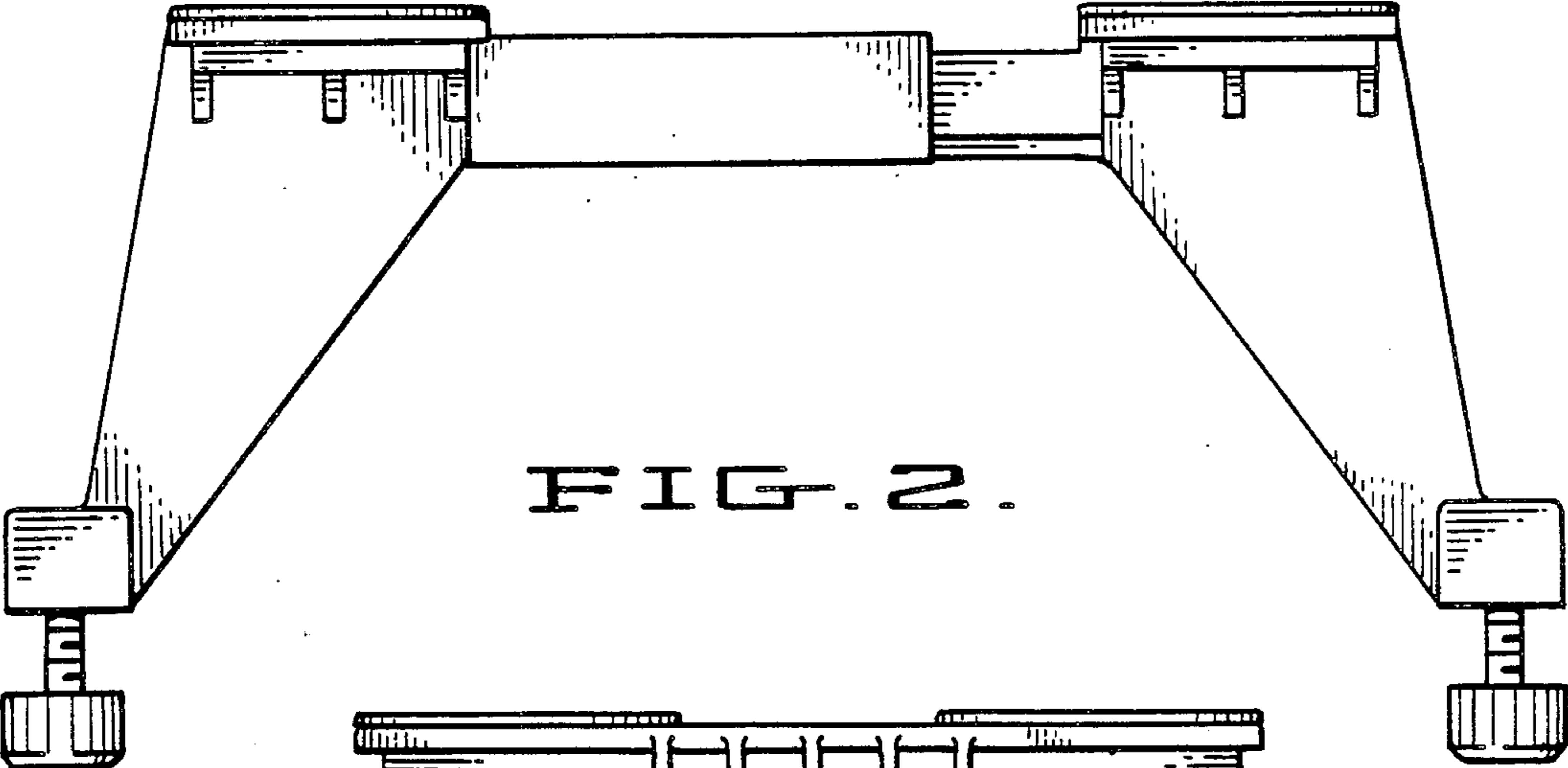


FIG. 2.

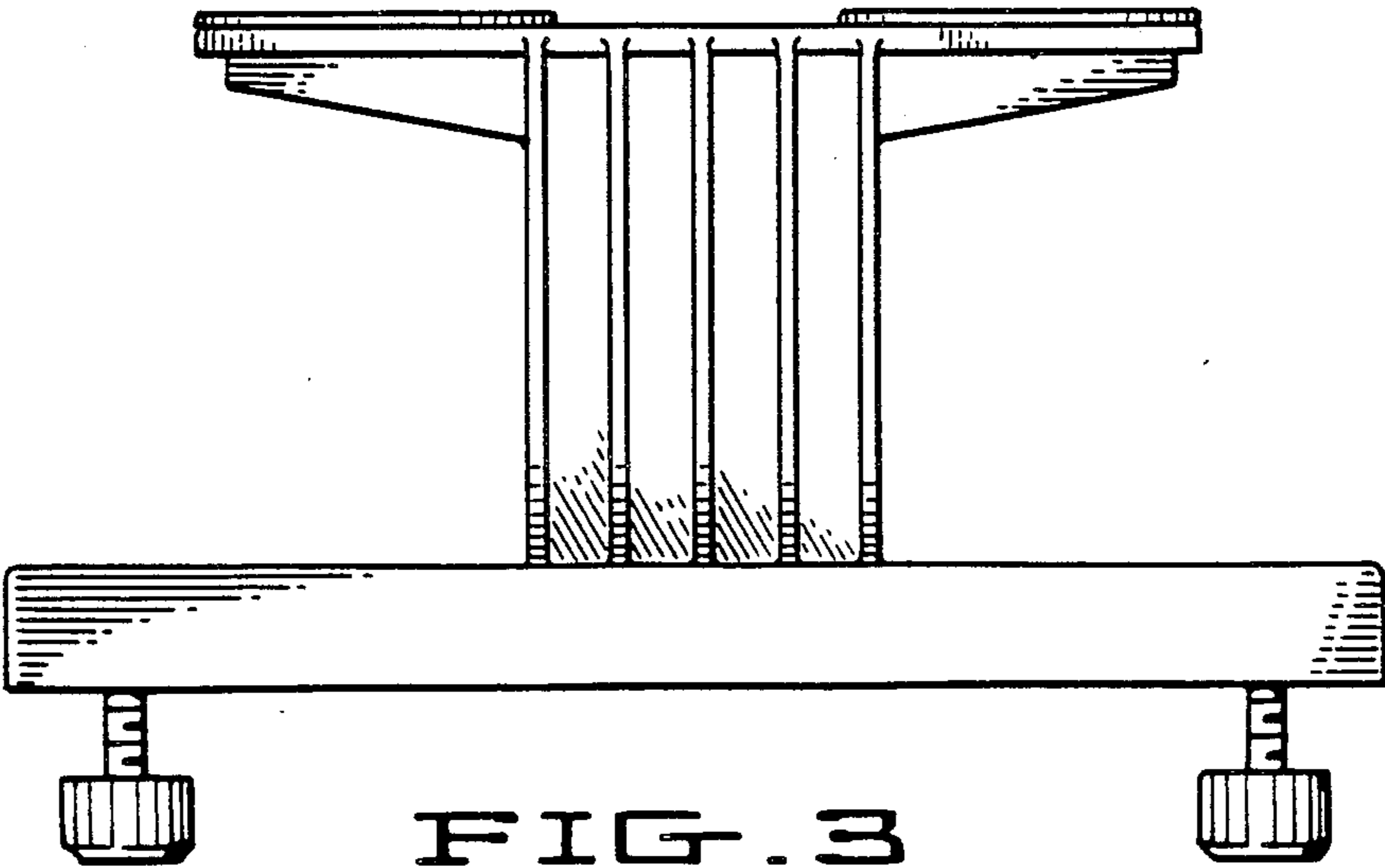


FIG. 3.

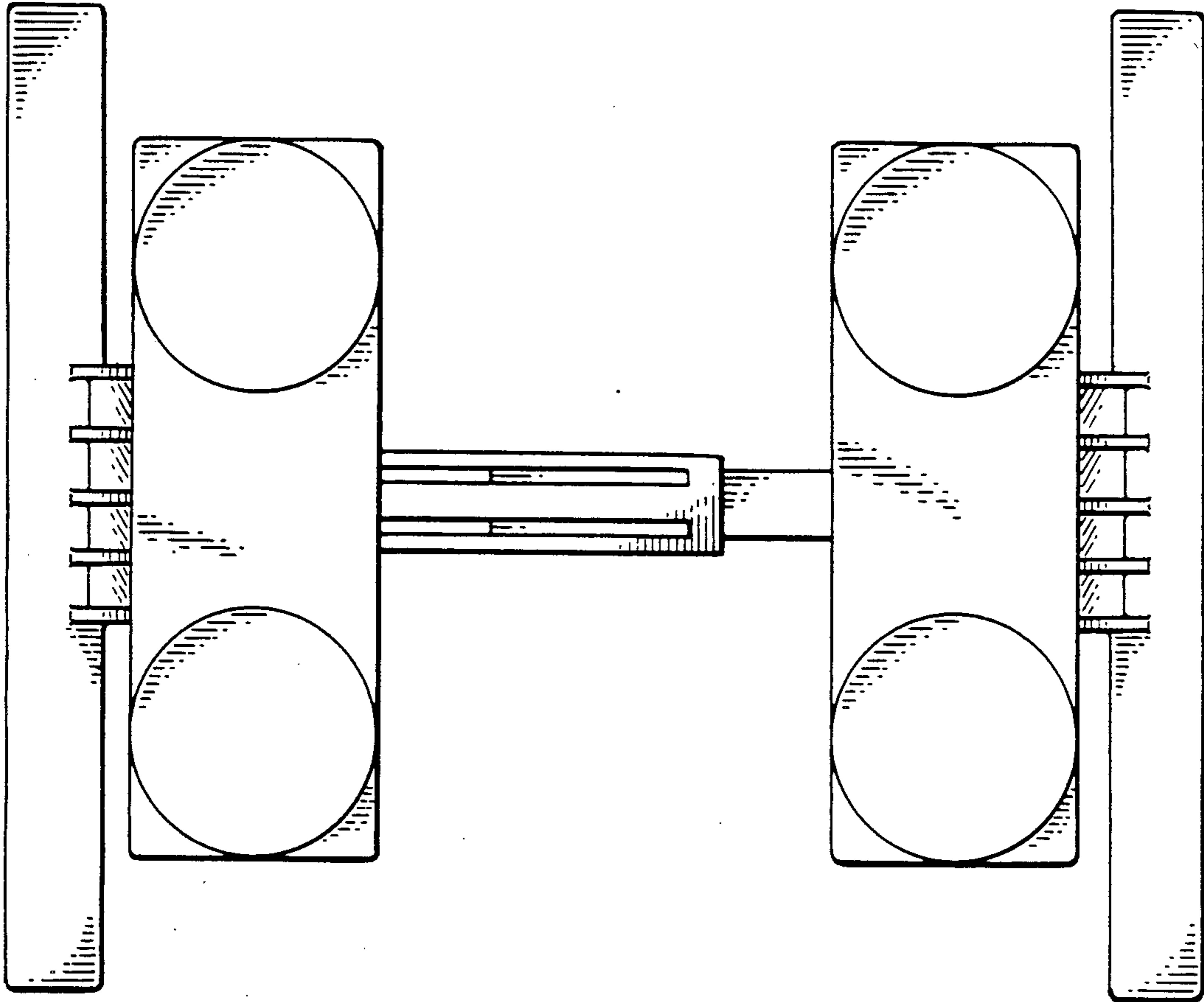


FIG. 4.

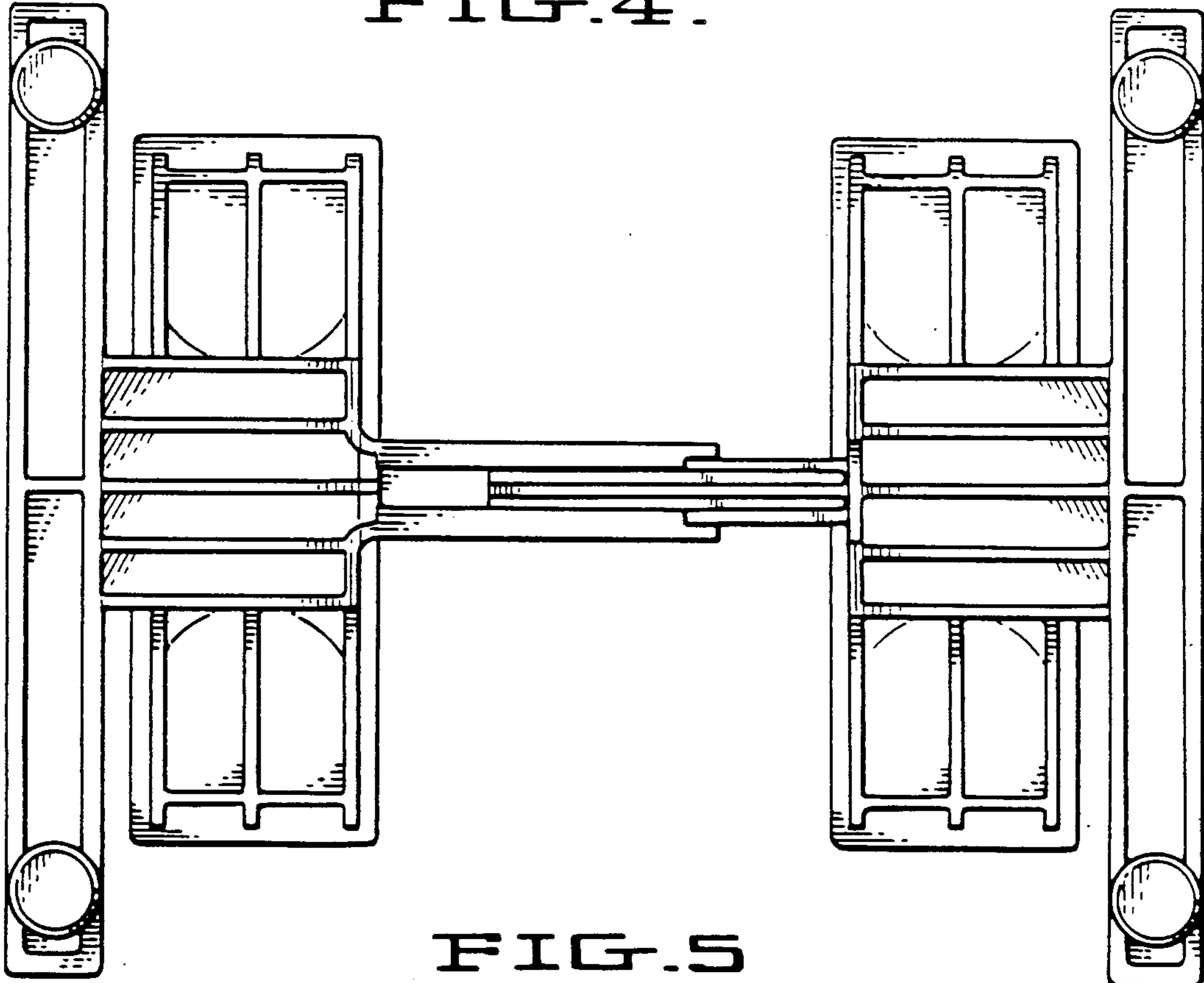


FIG. 5