

United States Patent [19]

Blackburn et al.

[11] Patent Number: **Des. 292,900**

[45] Date of Patent: **** Nov. 24, 1987**

[54] PAIR OF FRONT PANNIER SUPPORT RACKS FOR BICYCLES

[75] Inventors: **James R. Blackburn**, Los Gatos;
James Gentes, San Jose, both of Calif.

[73] Assignee: **Jim Blackburn Designs, Inc.**,
Campbell, Calif.

[**] Term: **14 Years**

[21] Appl. No.: **568,333**

[22] Filed: **Jan. 5, 1984**

[52] U.S. Cl. **D12/158**

[58] Field of Search **D12/158; 224/32 A, 39**

[56] References Cited

U.S. PATENT DOCUMENTS

D. 278,699 5/1985 Blackburn D12/158

Primary Examiner—James M. Gandy
Attorney, Agent, or Firm—Robert O. Guillot

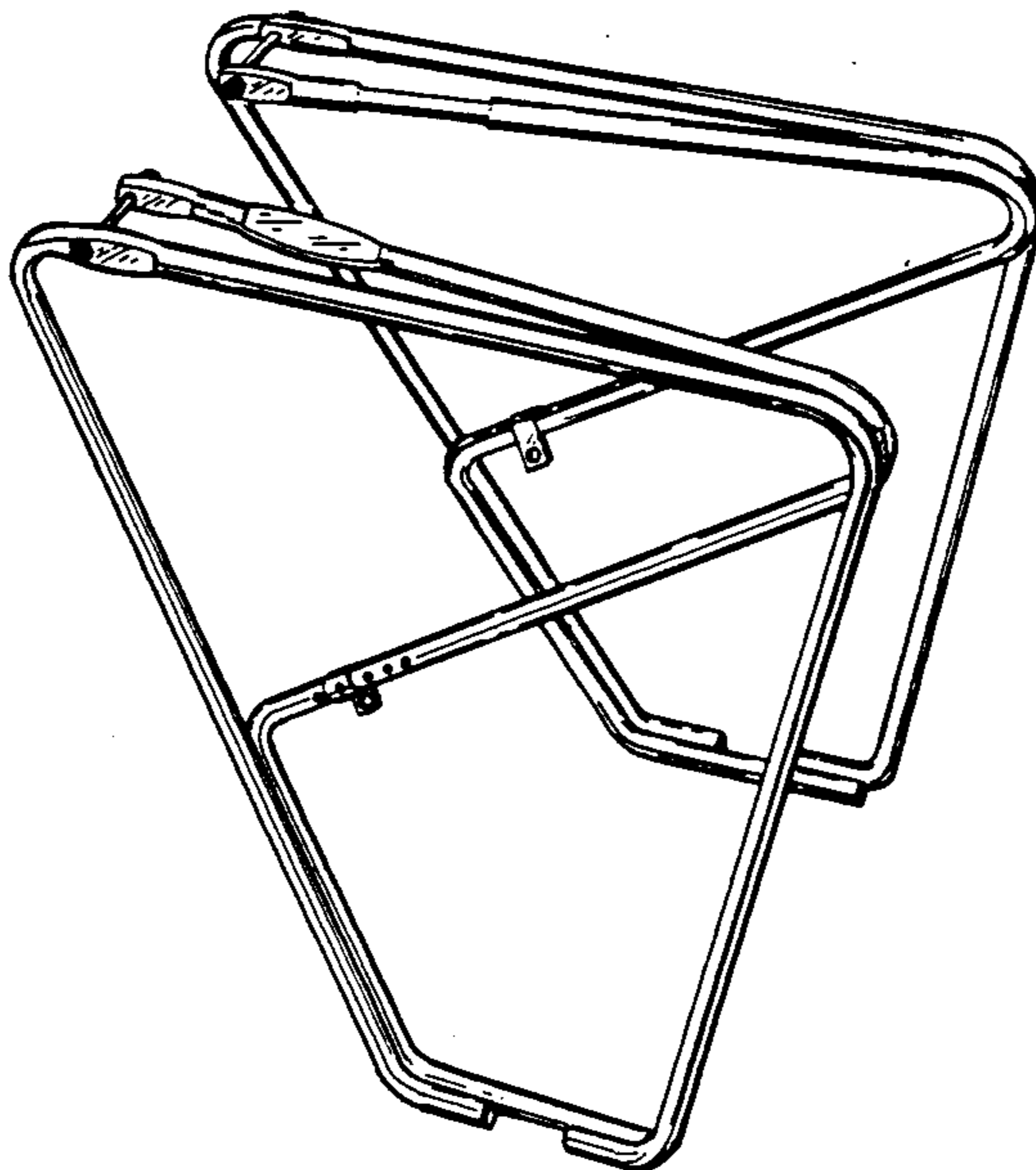
[57] CLAIM

The ornamental design for a pair of front pannier support racks for bicycles, as shown and described.

DESCRIPTION

FIG. 1 is a perspective view of a pair of front pannier support racks for bicycles showing our new design; FIG. 2 is a top plan view of the support rack shown in the foreground of FIG. 1, it being understood that the second support rack has been omitted for convenience of illustration;

FIG. 3 is a side elevation view of FIG. 2; and FIG. 4 is a front elevation view of FIG. 2.



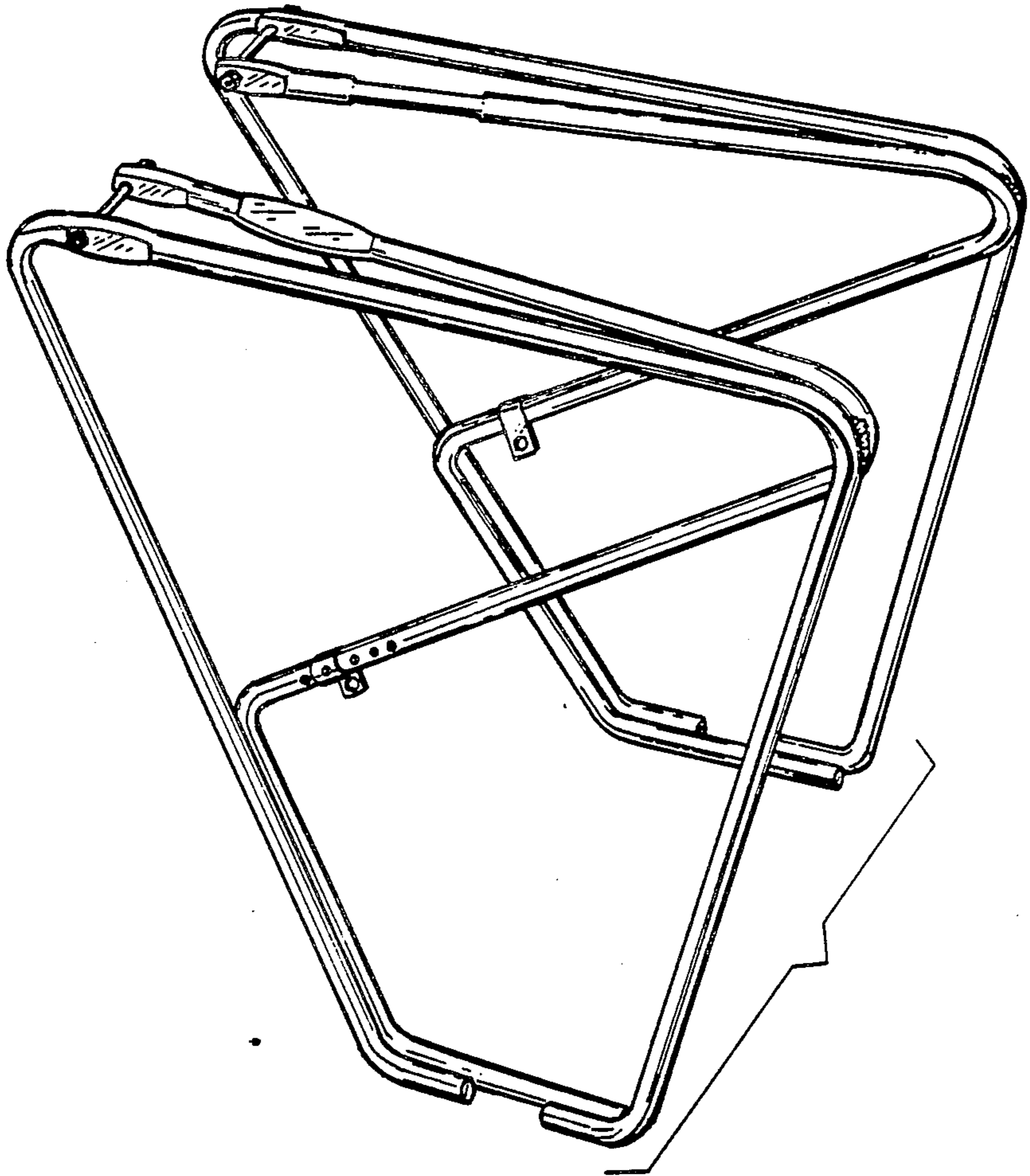


FIG. 1

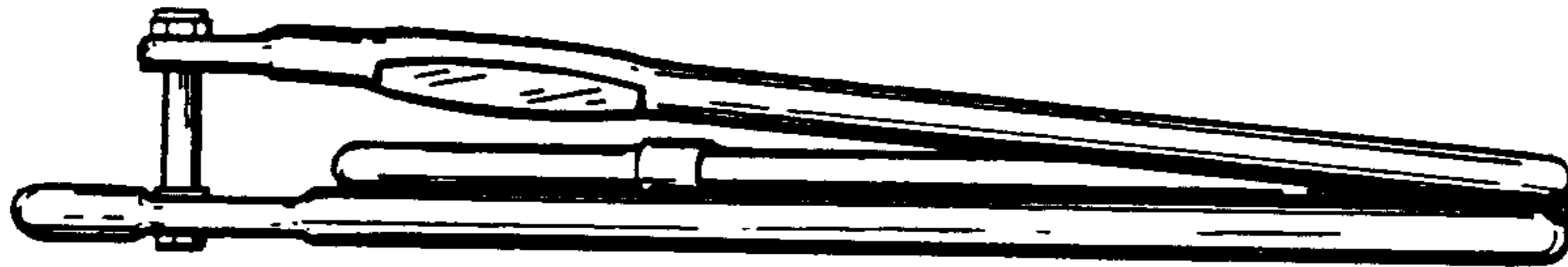


FIG. 2

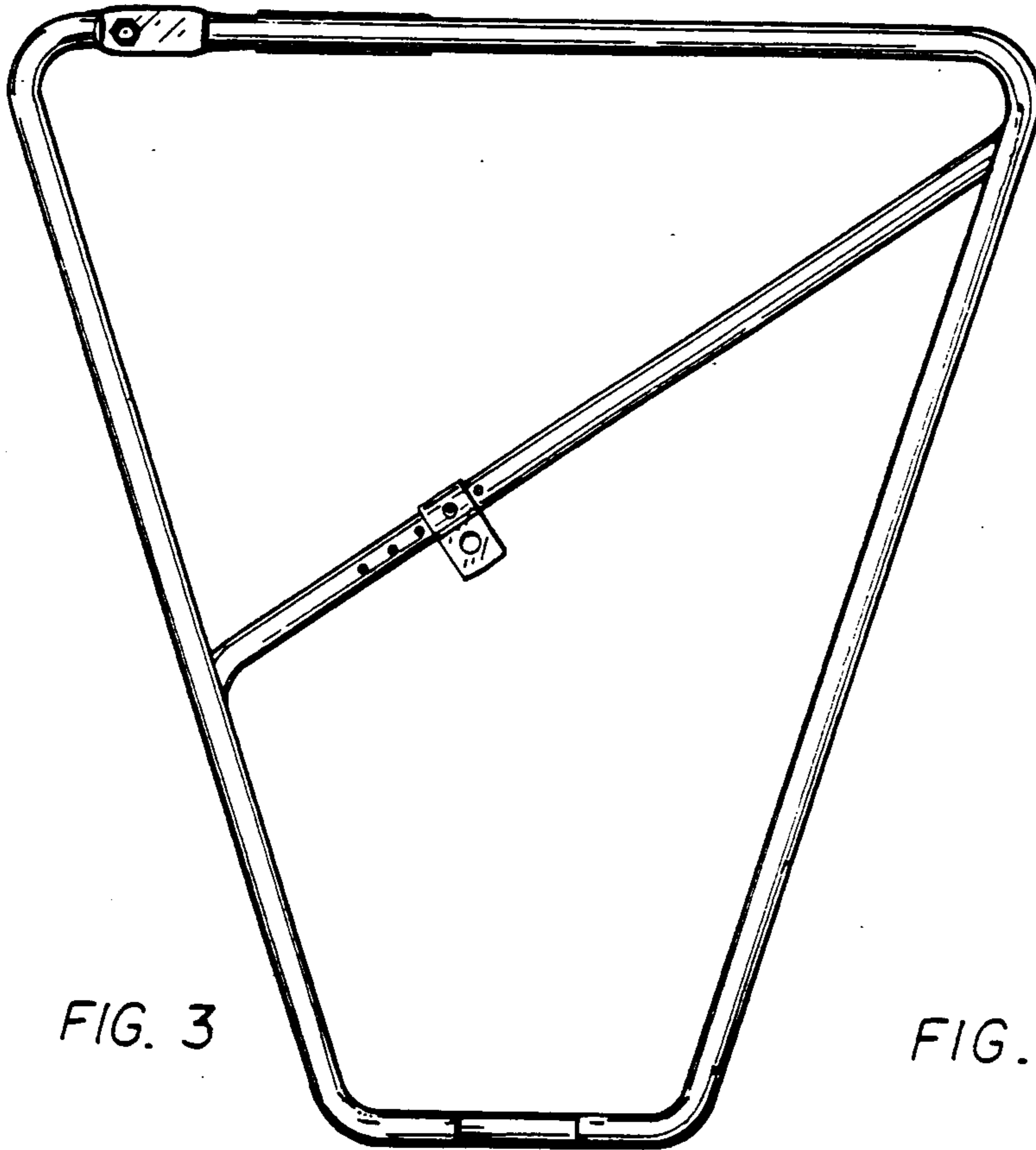


FIG. 3

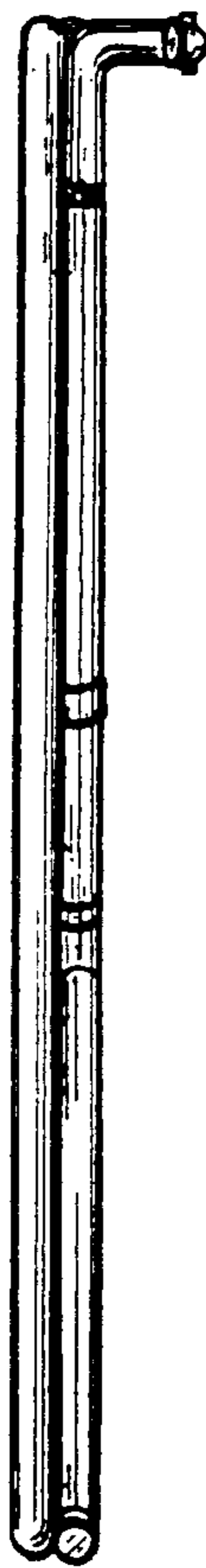


FIG. 4