

# United States Patent [19]

Samuelson et al.

[11] Patent Number: **Des. 292,899**

[45] Date of Patent: **\*\* Nov. 24, 1987**

[54] **UTILITY VEHICLE**

[75] Inventors: **Donald G. Samuelson, Augusta, Ga.;**  
**Dominic Saporito, Fanwood, N.J.;**  
**Justin Brehm, Augusta, Ga.**

[73] Assignee: **Club Car, Inc., Augusta, Ga.**

[\*\*] Term: **14 Years**

[21] Appl. No.: **807,522**

[22] Filed: **Dec. 11, 1985**

[52] U.S. Cl. .... **D12/16; D12/15**

[58] Field of Search ..... **D12/85, 16, 15;**  
**280/DIG. 5; 296/28 R, 31 P, 186; 180/89 R**

[56] **References Cited**

**U.S. PATENT DOCUMENTS**

- D. 245,242 8/1977 Stolley ..... D12/16  
D. 255,558 6/1980 Ekuan ..... D12/16

D. 271,008 10/1983 Saporito ..... D12/16

**OTHER PUBLICATIONS**

Popular Mechanics, Oct. 1961, p. 92, Scooter Truck.  
Harvey-Davidson Utilicars brochure, p. 1 (b).

*Primary Examiner*—James M. Gandy  
*Assistant Examiner*—Kay H. Chin  
*Attorney, Agent, or Firm*—Laurence R. Brown

[57] **CLAIM**

The ornamental design for a utility vehicle, as shown.

**DESCRIPTION**

FIG. 1 is a left side perspective view of a utility vehicle showing our new design;  
FIG. 2 is a right side elevation view thereof;  
FIG. 3 is a front elevation view thereof;  
FIG. 4 is a rear elevation view thereof; and  
FIG. 5 is a top plan view thereof.

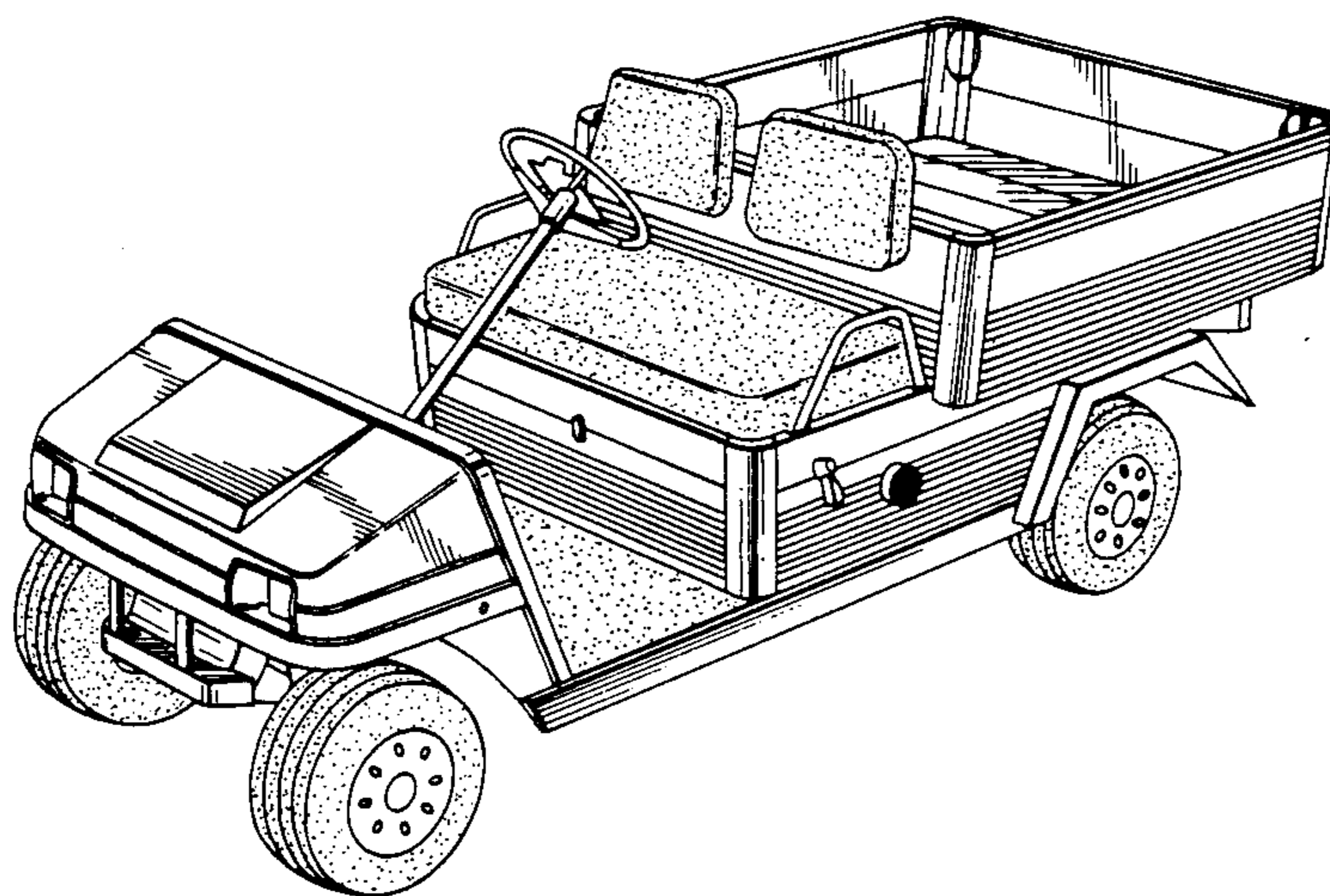


FIG 1

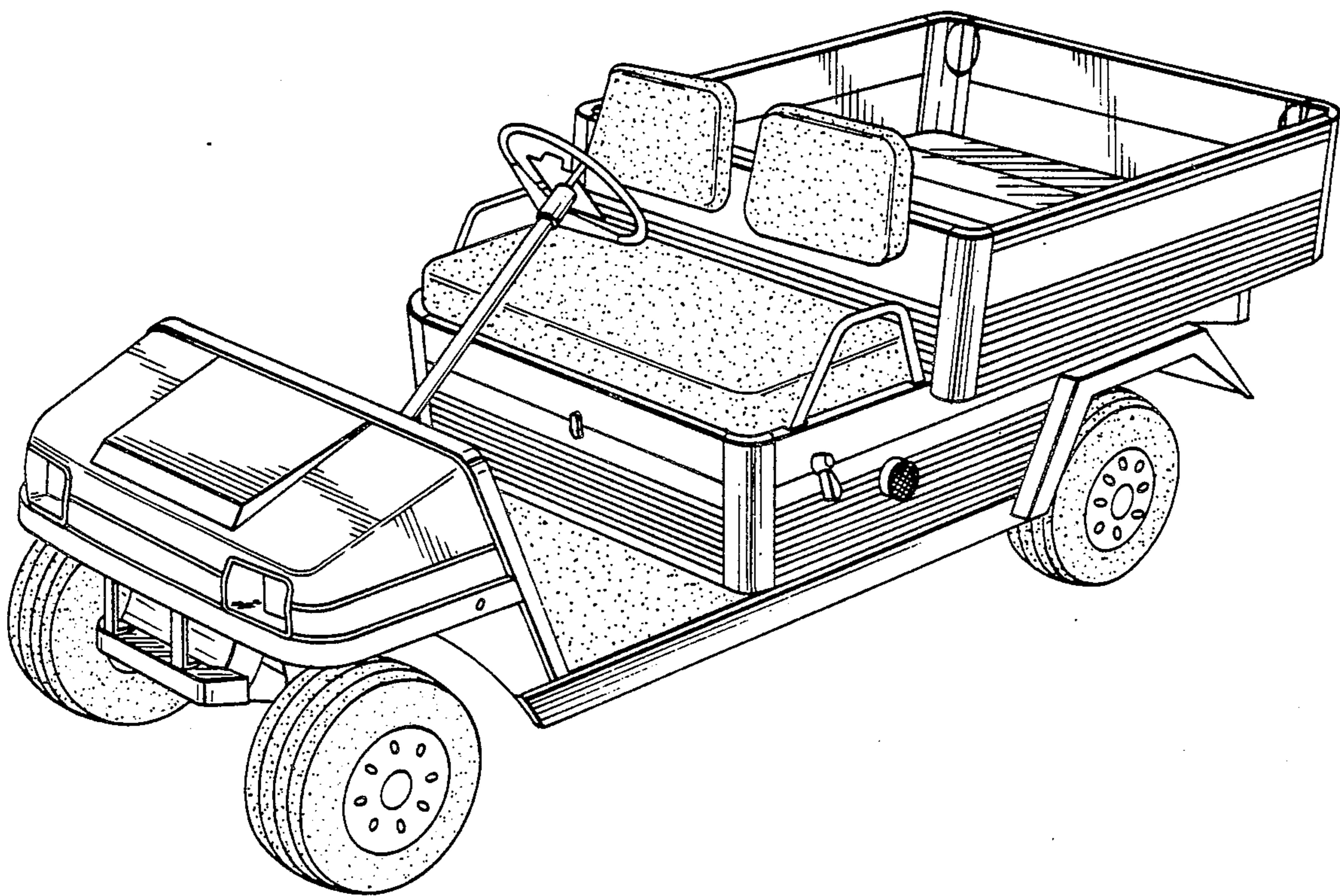


FIG 2

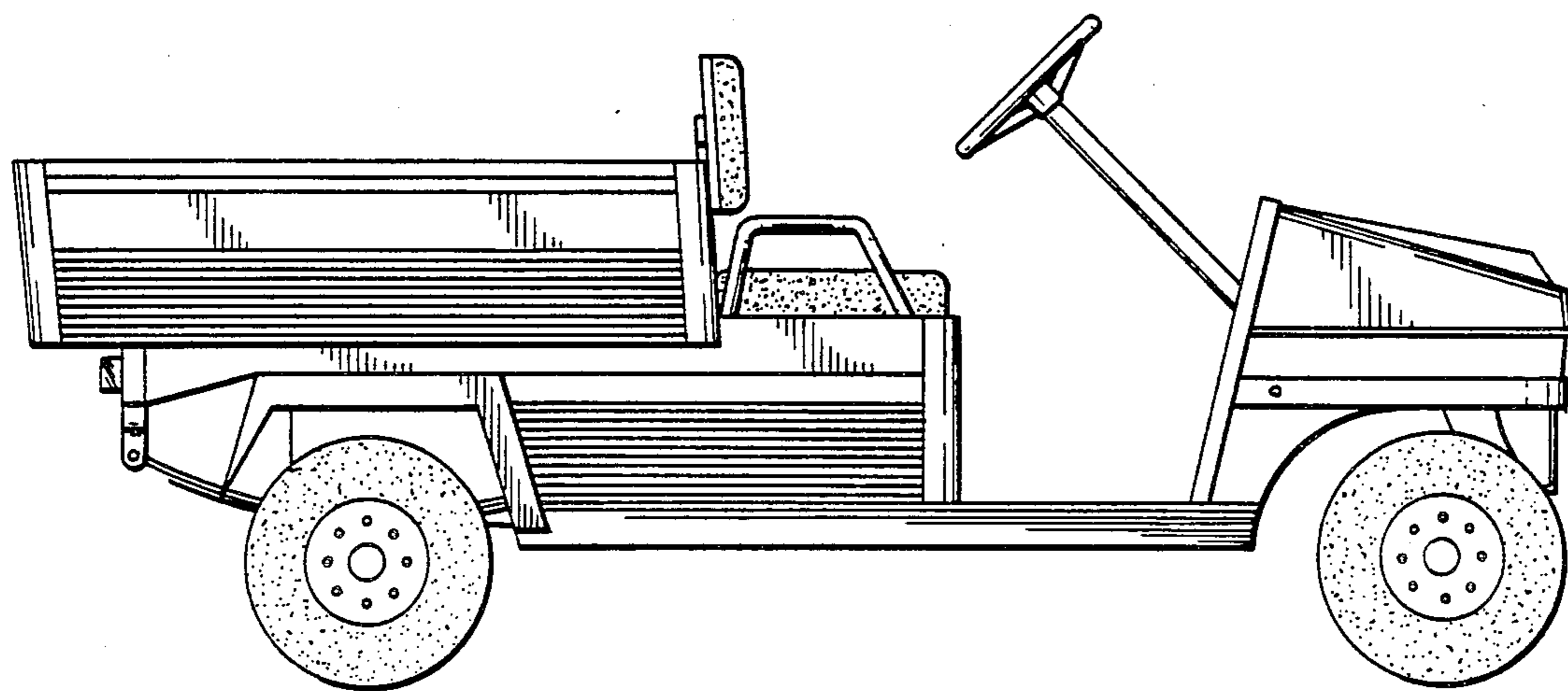


FIG 3

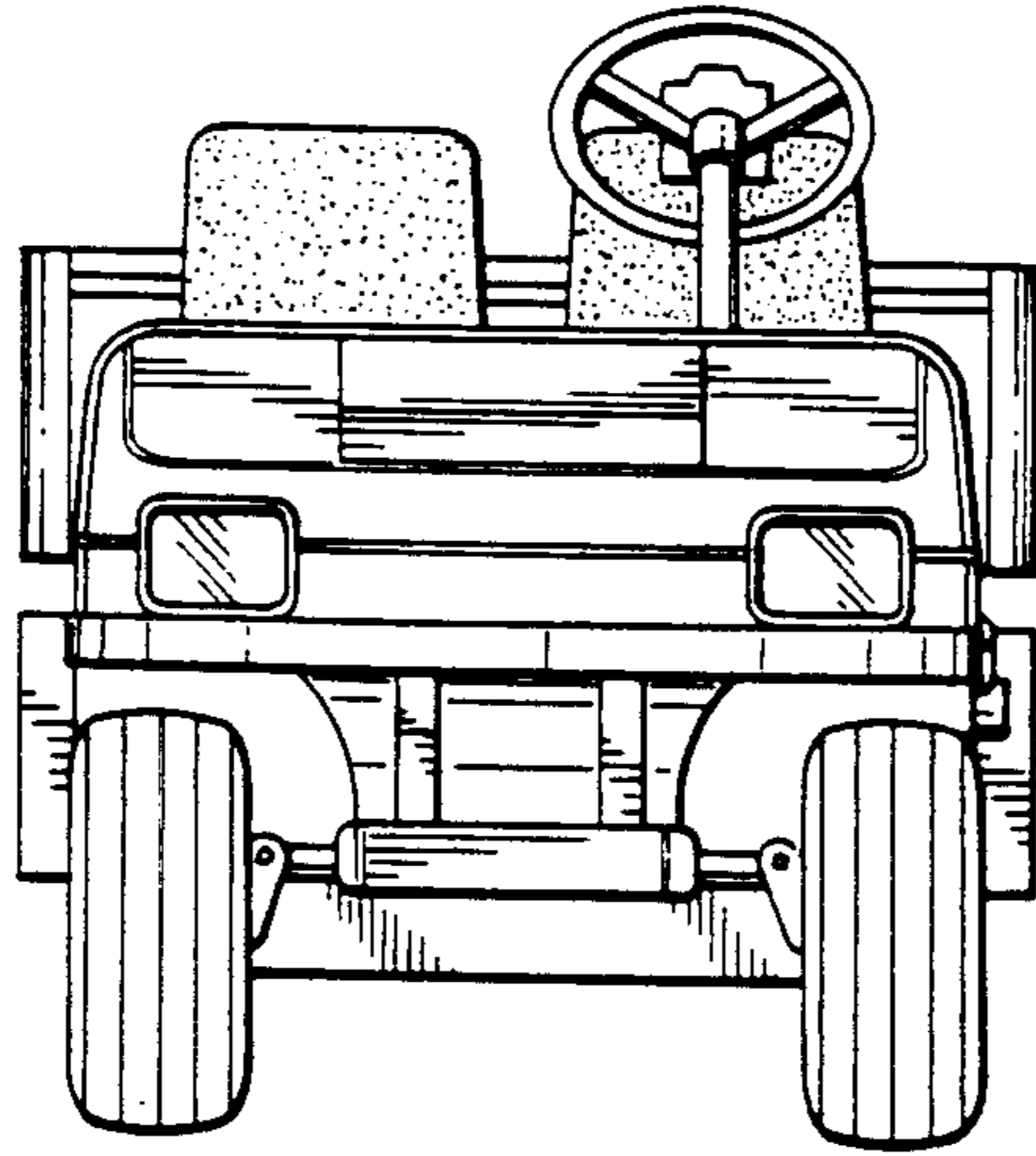


FIG 4

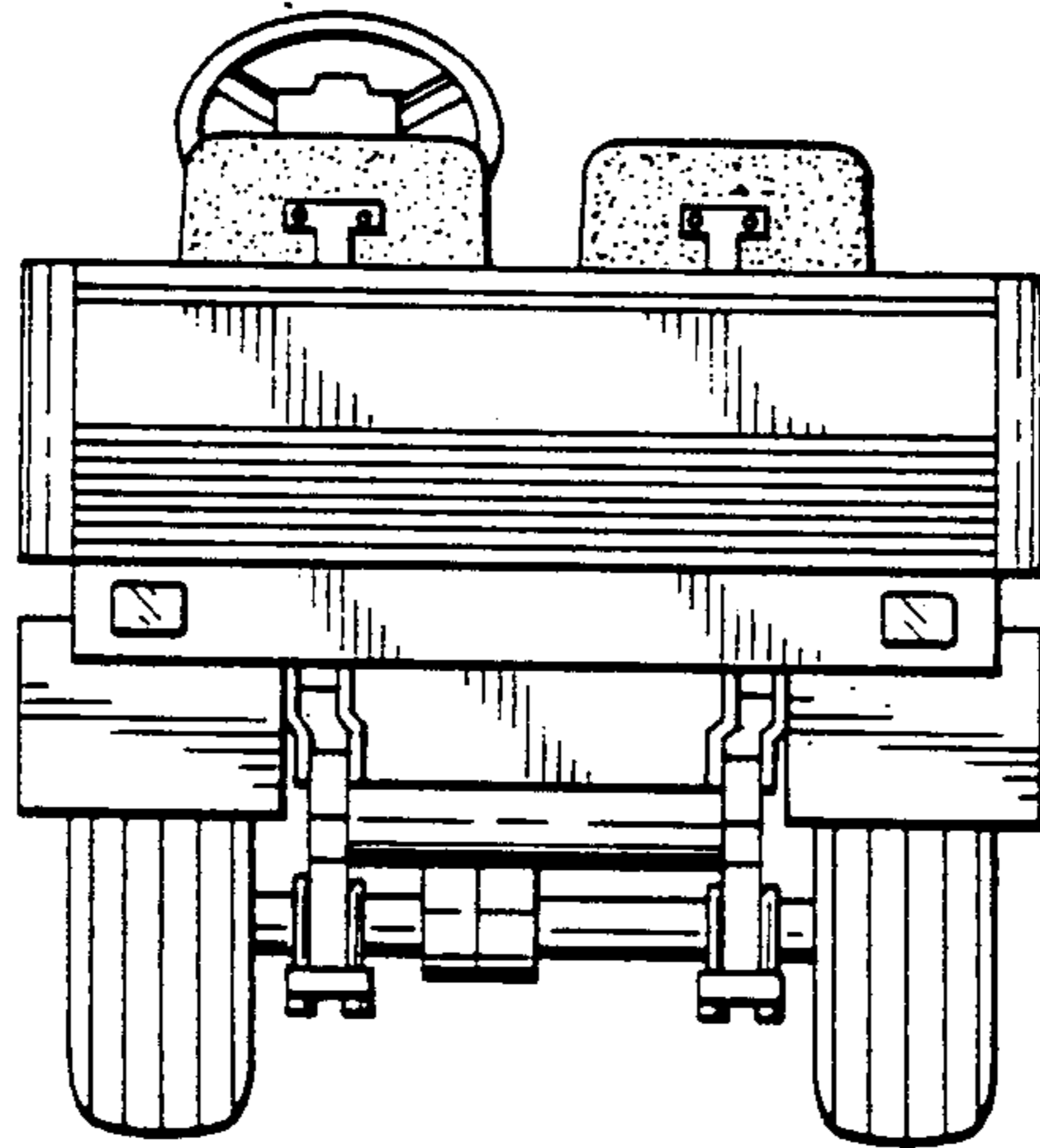


FIG 5

