

[54] **FLAGPOLE HOLDER**

[76] **Inventor:** Julian Restrepo, Calle 44 - 42-55,
 Medellin, Colombia

[**] **Term:** 14 Years

[21] **Appl. No.:** 719,104

[22] **Filed:** Apr. 2, 1985

[52] **U.S. Cl.** D11/182; D11/107;
 D11/137

[58] **Field of Search** D11/166, 181, 182, 183,
 D11/107, 137, 132; 248/511, 536, 538, 539;
 116/173, 174; D6/557

[56] **References Cited**

U.S. PATENT DOCUMENTS

D. 51,325	10/1917	Weller	D11/182
D. 56,083	8/1920	Sweeny	D11/107
D. 130,394	11/1941	Ostrowski	D11/107
D. 132,824	6/1942	Whalen	D11/107
D. 201,888	8/1965	Faulhaber	D11/182
981,603	1/1911	Adelson	248/538

OTHER PUBLICATIONS

American Symbols/A Pictorial History, ©1957 by Ernest Lehner, p. 23, bottom middle, "Great Seal of the U.S.A."

Primary Examiner—Winifred E. Herrmann
Attorney, Agent, or Firm—John Cyril Malloy

[57] **CLAIM**

The ornamental design for a flagpole holder, as shown and described.

DESCRIPTION

FIG. 1 is a front elevational view of a flagpole holder showing my new design;

FIG. 2 is another front elevational view thereof with the pole support sectioned for convenience of illustration;

FIG. 3 is a rear elevational view thereof on a reduced scale;

FIG. 4 is left side elevational view of FIG. 3;

FIG. 5 is a right side elevational view of FIG. 3;

FIG. 6 is a top plan view of FIG. 3; and

FIG. 7 is a bottom plan view of FIG. 3.

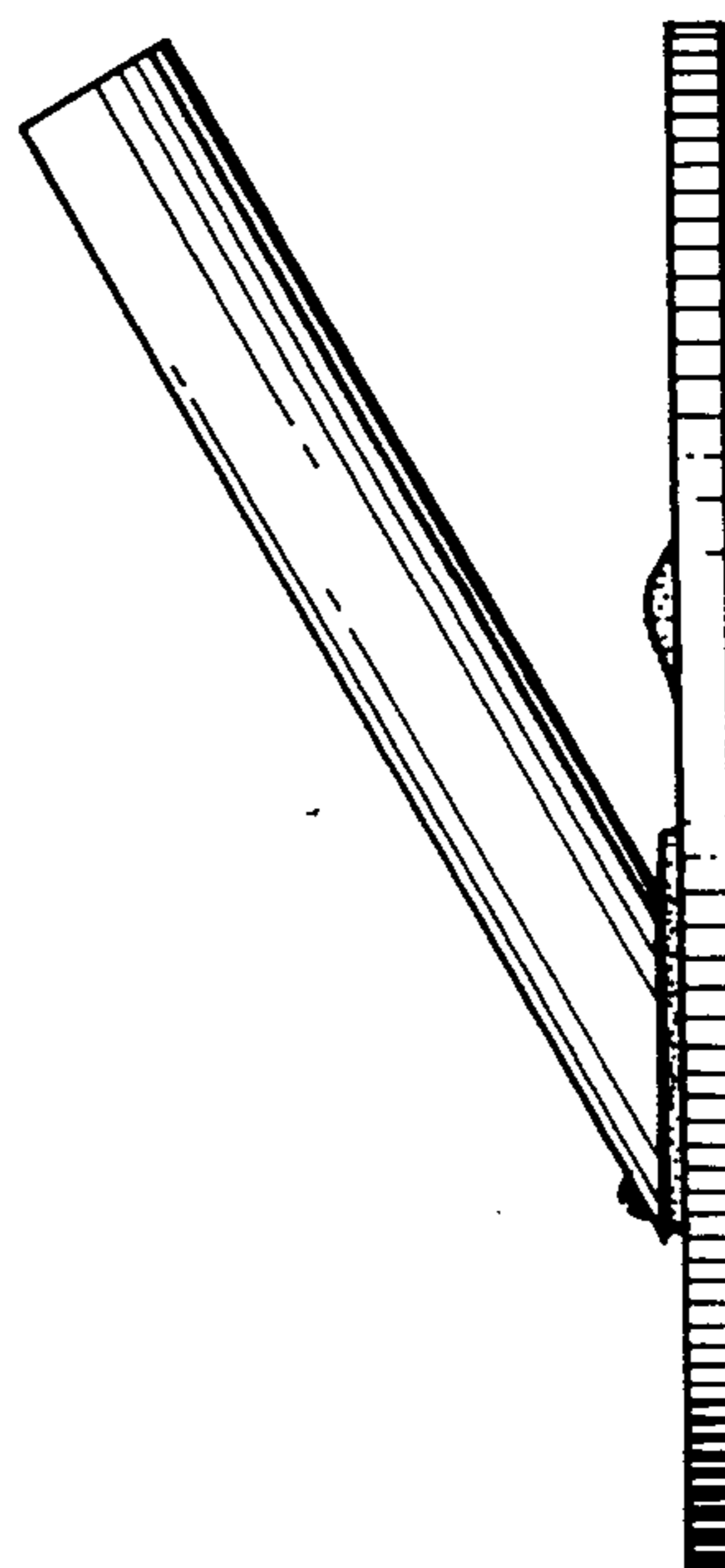
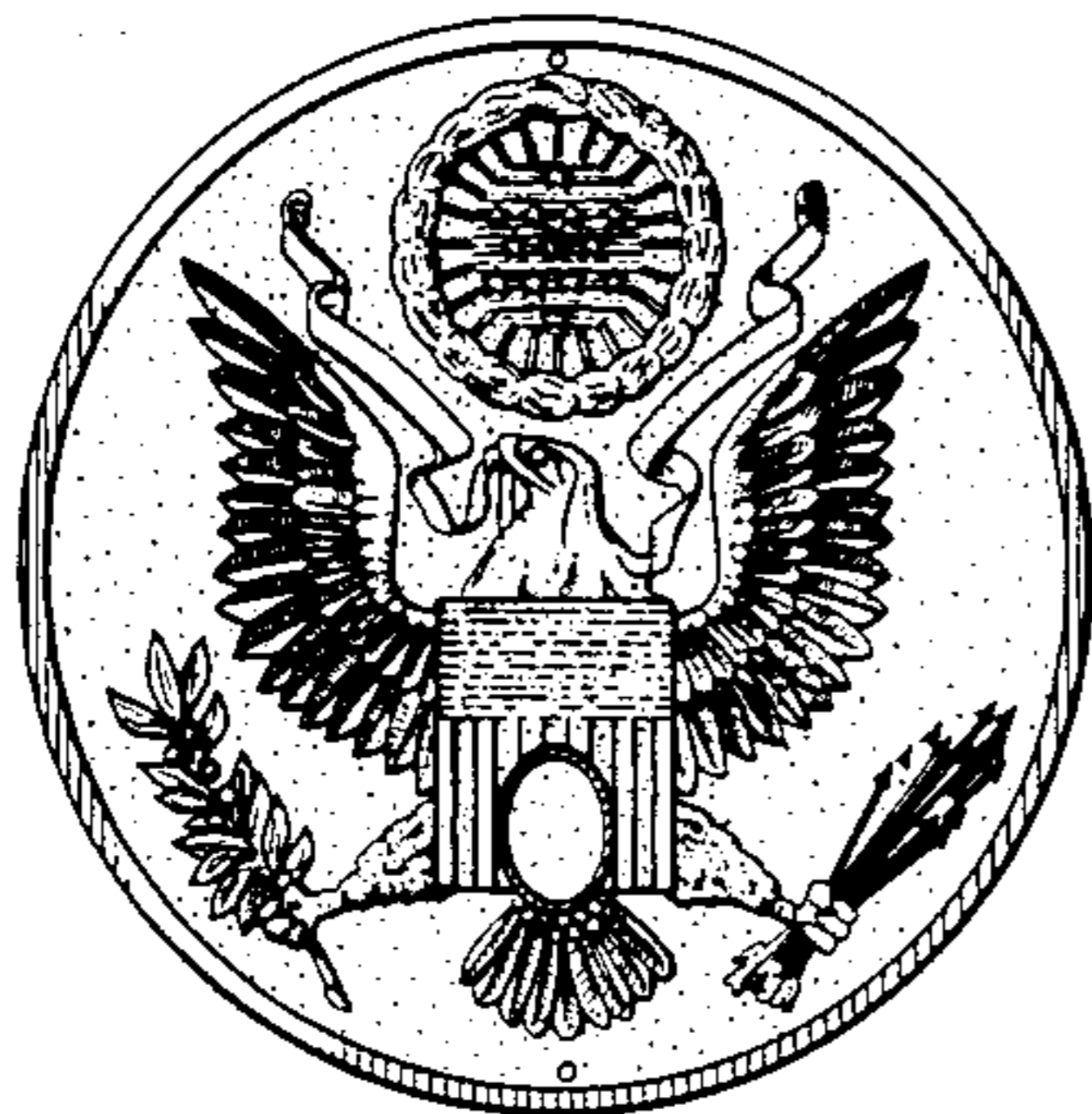
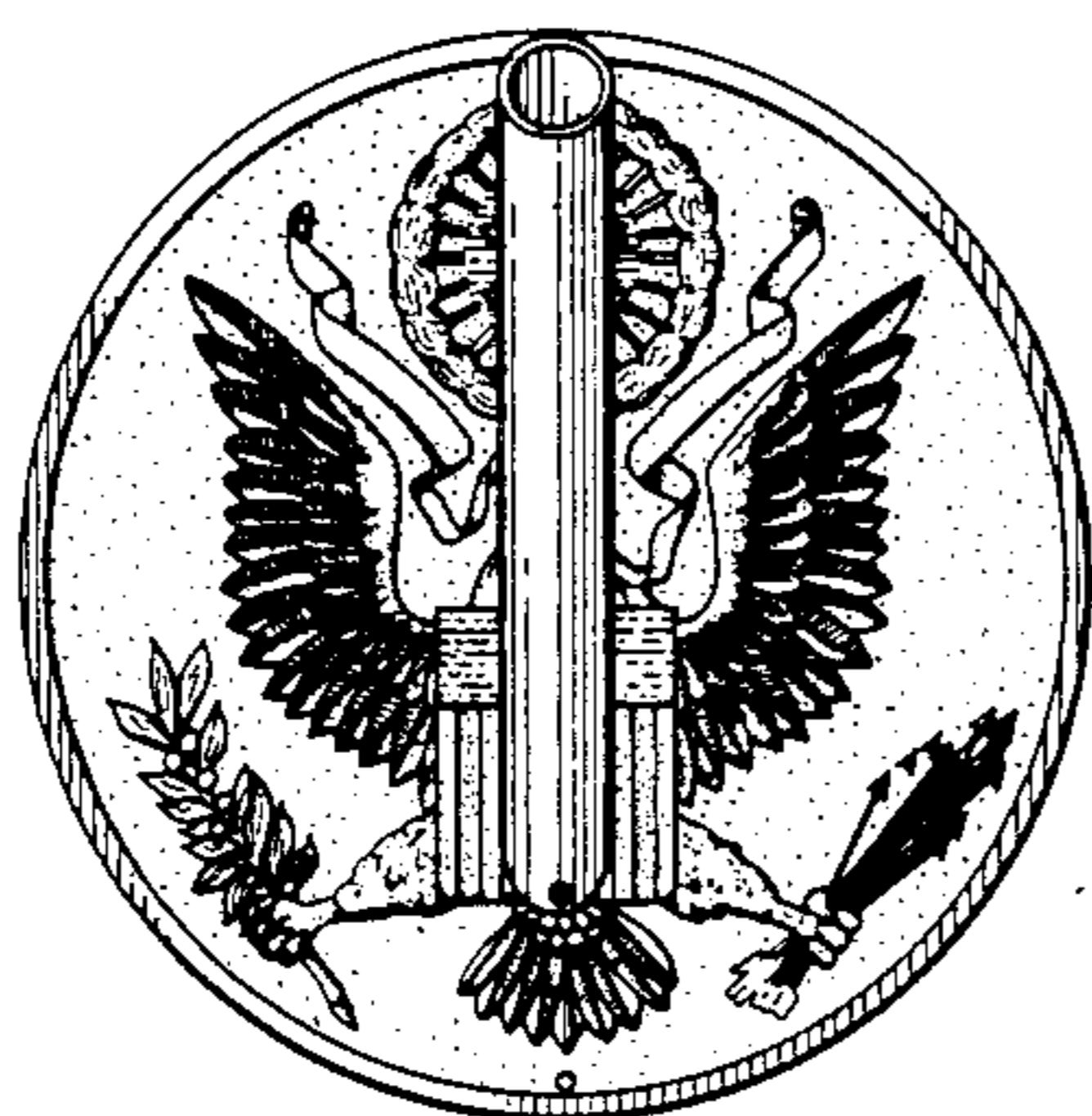




FIG. 1



FIG. 2

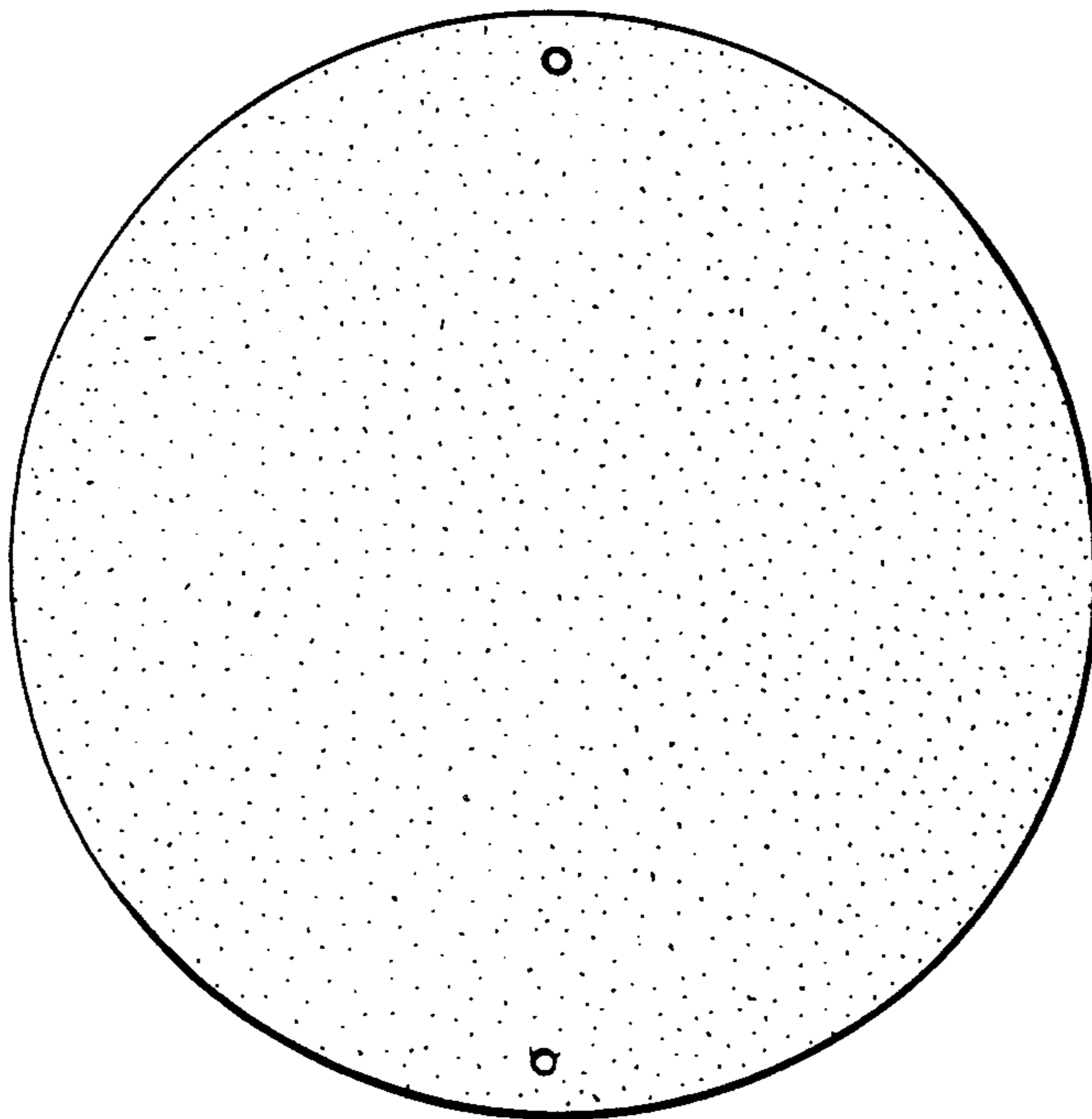


FIG. 3

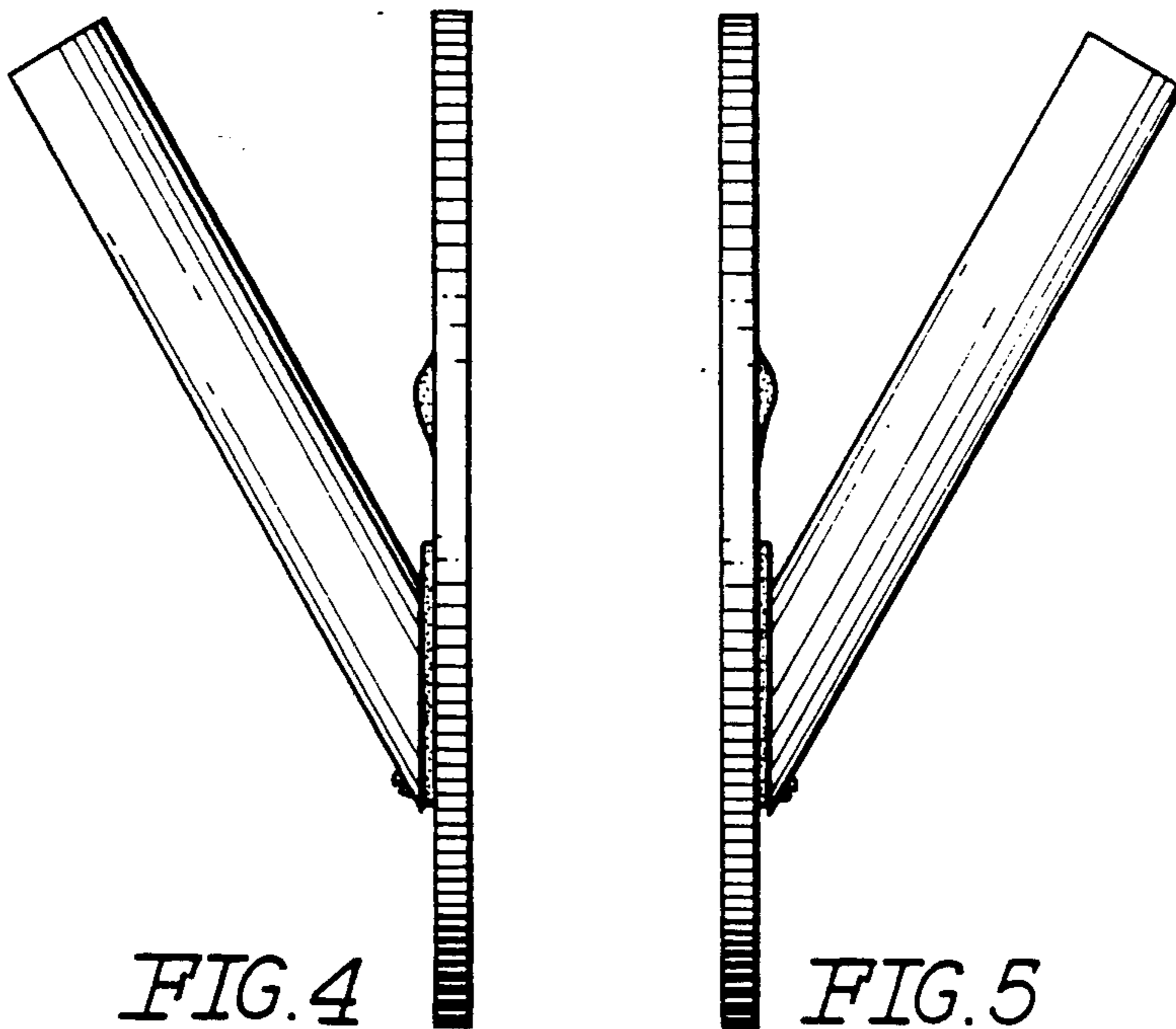


FIG. 4

FIG. 5

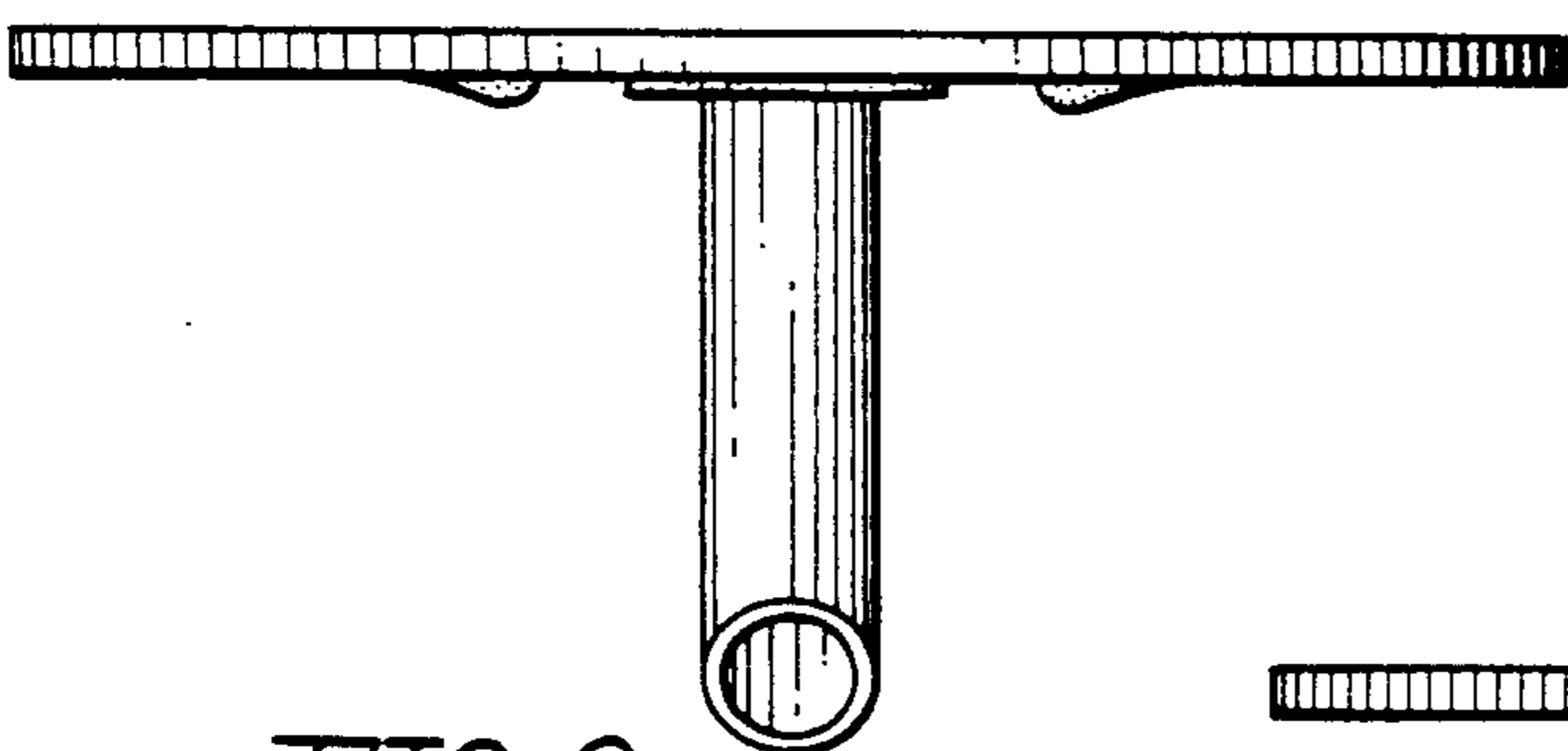


FIG. 6

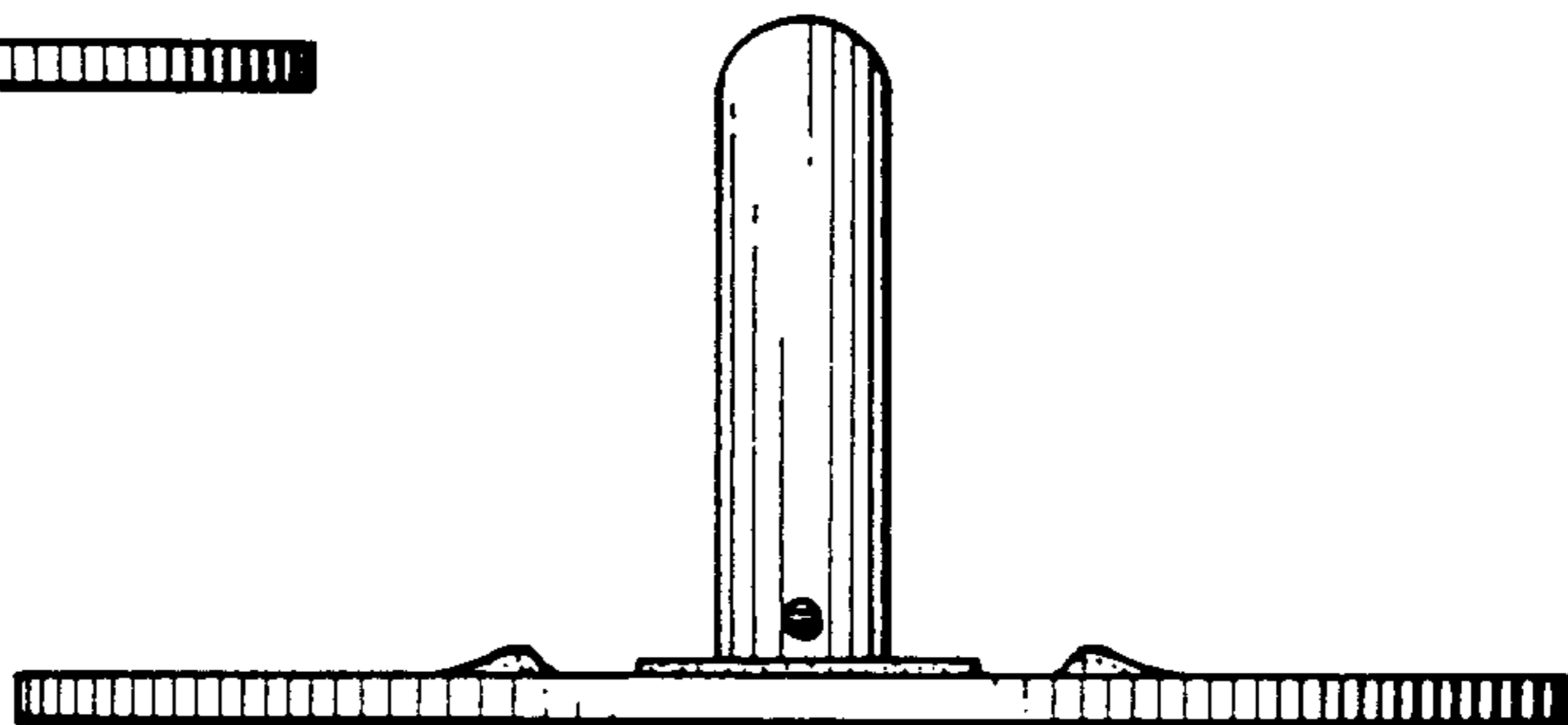


FIG. 7