

United States Patent [19]
Hayashi

[11] **Patent Number: Des. 292,895**

[45] **Date of Patent: ** Nov. 24, 1987**

[54] **SIREN**
[75] **Inventor: Takatoshi Hayashi, Kohnosu, Japan**
[73] **Assignee: Kobishi Electric Co., Ltd., Tokyo, Japan**
[**] **Term: 14 Years**
[21] **Appl. No.: 703,875**
[22] **Filed: Feb. 21, 1985**
[52] **U.S. Cl. D10/120**
[58] **Field of Search D10/106, 119, 120; 340/404, 405, 388; 116/137 R, 140, 142, 147**

D. 253,401 11/1979 Benson et al. D10/120
D. 279,771 7/1985 Hinata D10/120
D. 279,965 8/1985 Mikami D10/120
2,172,413 9/1939 Scott 340/405
4,171,677 10/1979 Hibell 340/404 X

Primary Examiner—Catherine E. Kemper
Attorney, Agent, or Firm—Darby & Darby

[57] **CLAIM**

The ornamental design for a siren, as shown.

DESCRIPTION

FIG. 1 is a front elevational view of a siren showing my new design;
FIG. 2 is a right-side elevational view thereof;
FIG. 3 is a rear elevational view thereof;
FIG. 4 is a perspective view thereof.

[56] **References Cited**
U.S. PATENT DOCUMENTS
D. 224,276 7/1972 Kahn D10/120

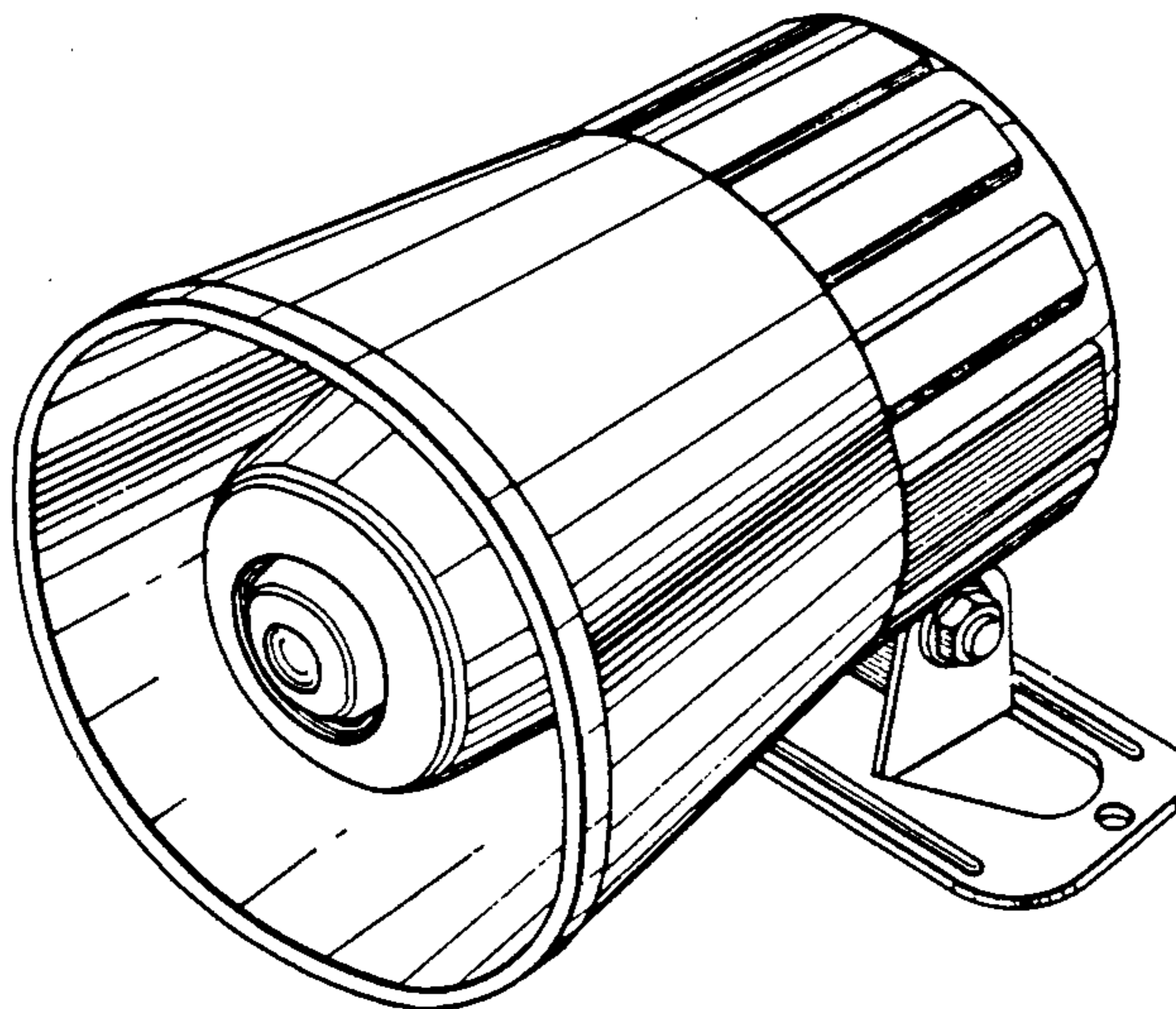


FIG. 1

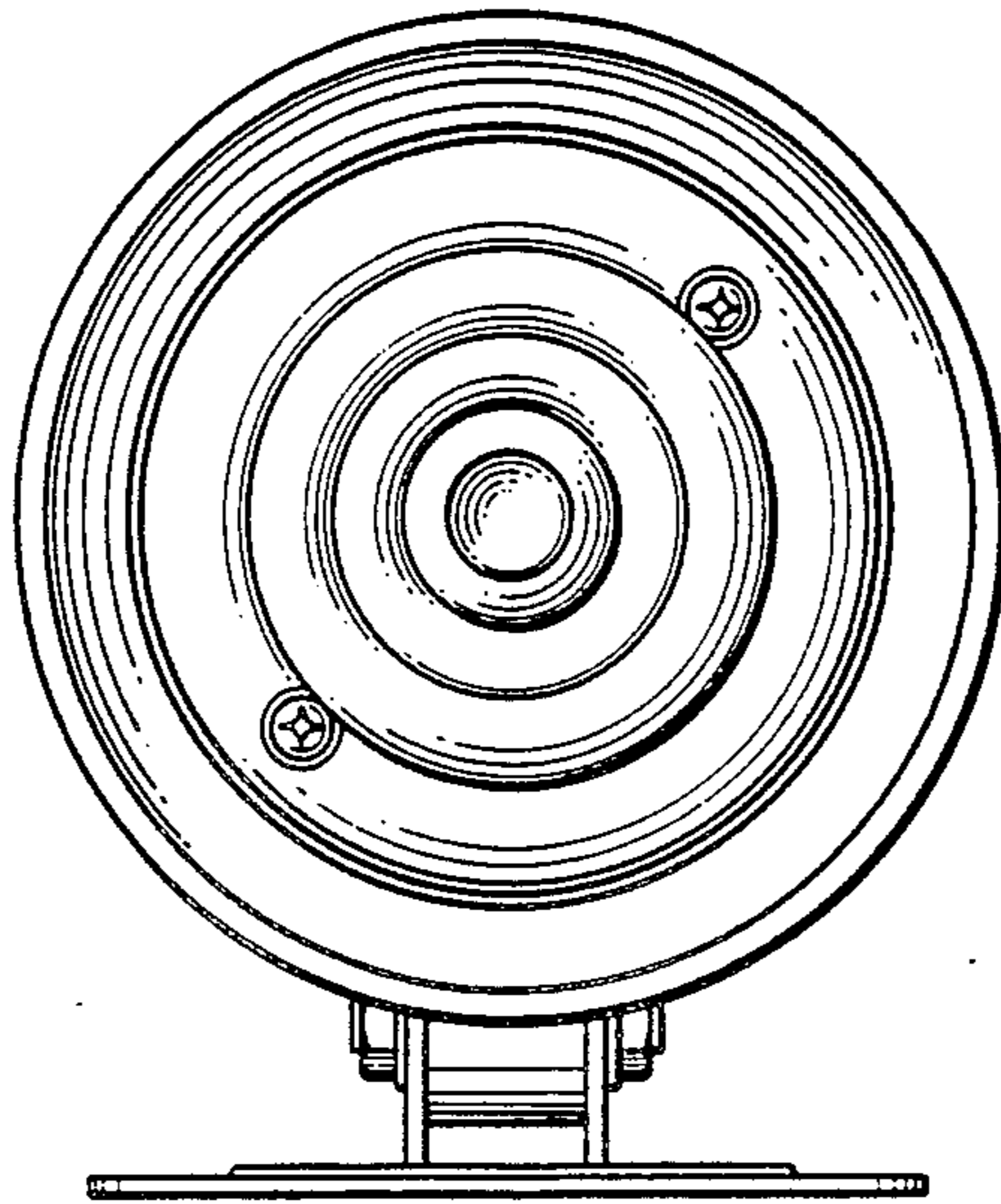


FIG. 2

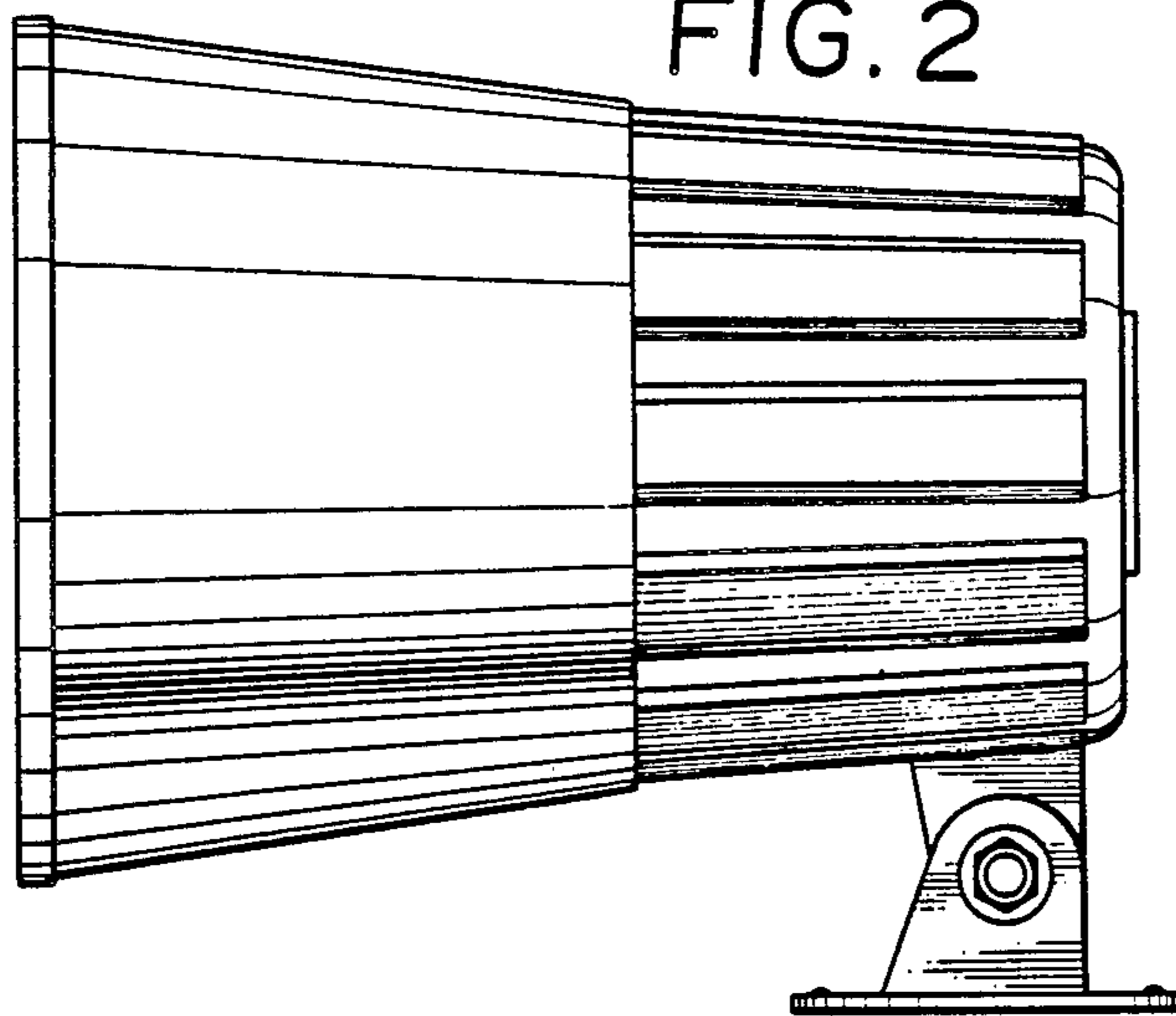


FIG. 3

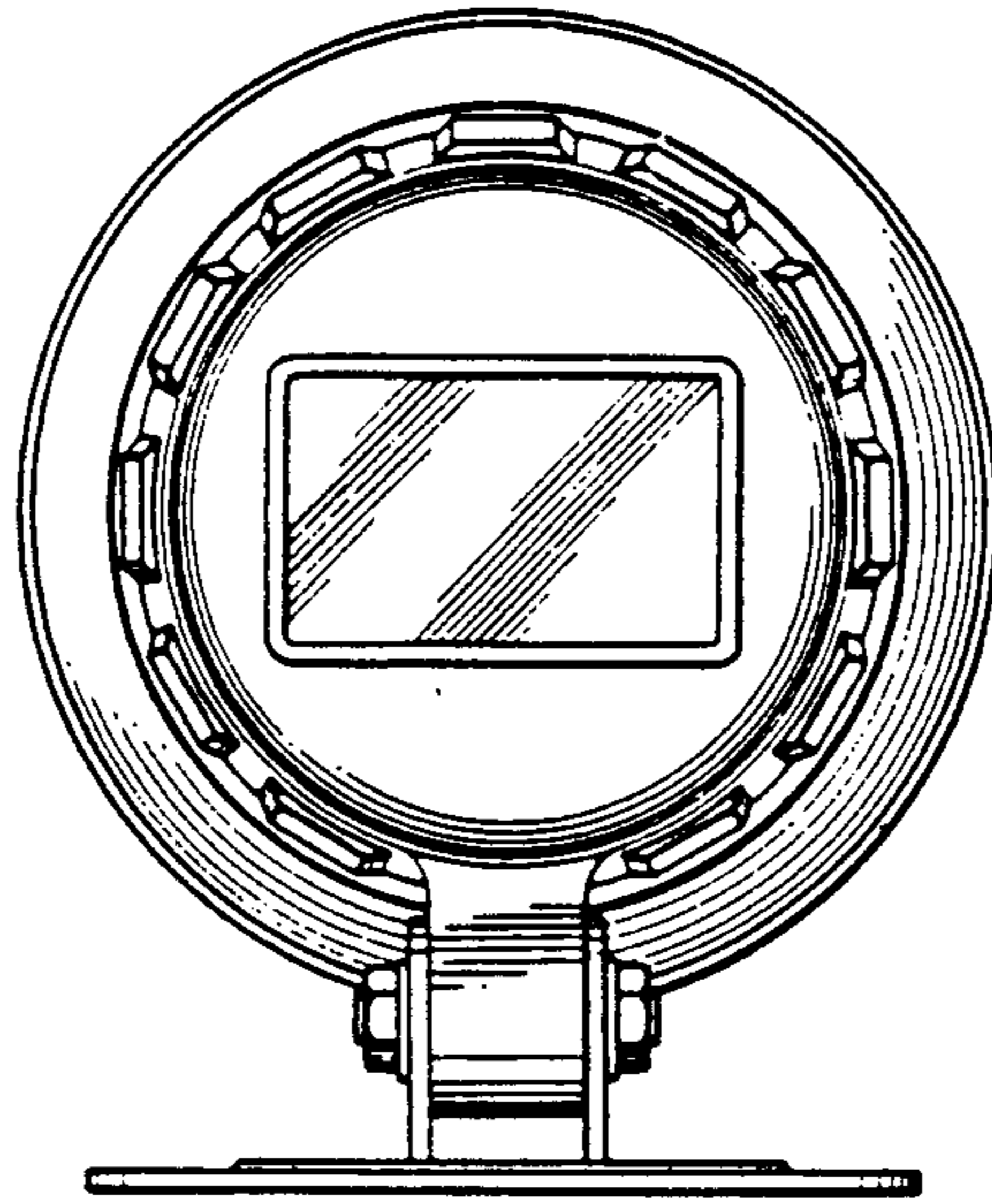


FIG. 4

