

[54] TIMING LIGHT

[75] Inventors: Mark S. Bakula, Muskego; Donald W. Doman, Janesville; David R. Ellingen, Kenosha; Gene P. Hopp, Racine; Keith R. Malek, Kenosha; Steven E. Michalski, Milwaukee; Larry D. Pacetti, Kenosha; William T. Pagac, Kenosha; Steven R. Wente, Kenosha; Raymond R. Zuzinec, Sr., Kenosha, all of Wis.

[73] Assignee: Snap-on Tools Corporation, Kenosha, Wis.

[\*\*] Term: 14 Years

[21] Appl. No.: 834,055

[22] Filed: Feb. 18, 1986

[52] U.S. Cl. .... D10/112

[58] Field of Search ..... D10/78, 98, 112; 324/391, 392; 356/23; 315/224, 241 S

[56] References Cited

U.S. PATENT DOCUMENTS

- D. 201,913 8/1965 Raymond ..... D10/98
D. 207,552 5/1967 Perkins et al. .... D10/112
D. 240,610 7/1976 Schwartz ..... D10/78

- D. 249,484 9/1978 Shumway et al. .... D10/112
D. 261,115 10/1981 Greenlee et al. .... D10/112
3,781,656 12/1973 Glew ..... 324/392

FOREIGN PATENT DOCUMENTS

- 1464043 1/1969 Fed. Rep. of Germany ..... 324/391

OTHER PUBLICATIONS

J. C. Whitney Catalog #376A- ©1978-p. 145-Timing Lights.

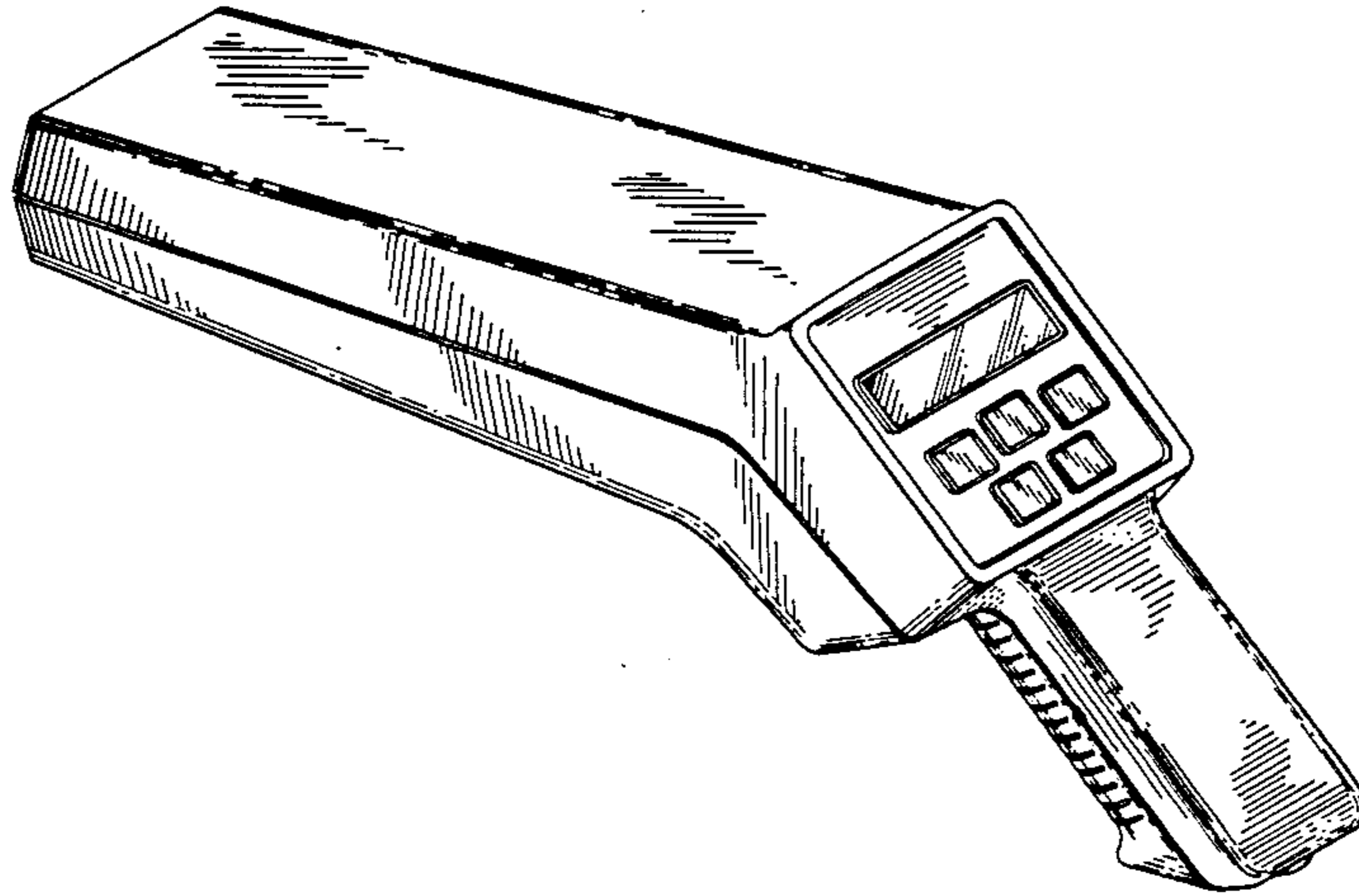
Primary Examiner—Catherine E. Kemper
Attorney, Agent, or Firm—Emrich & Dithmar

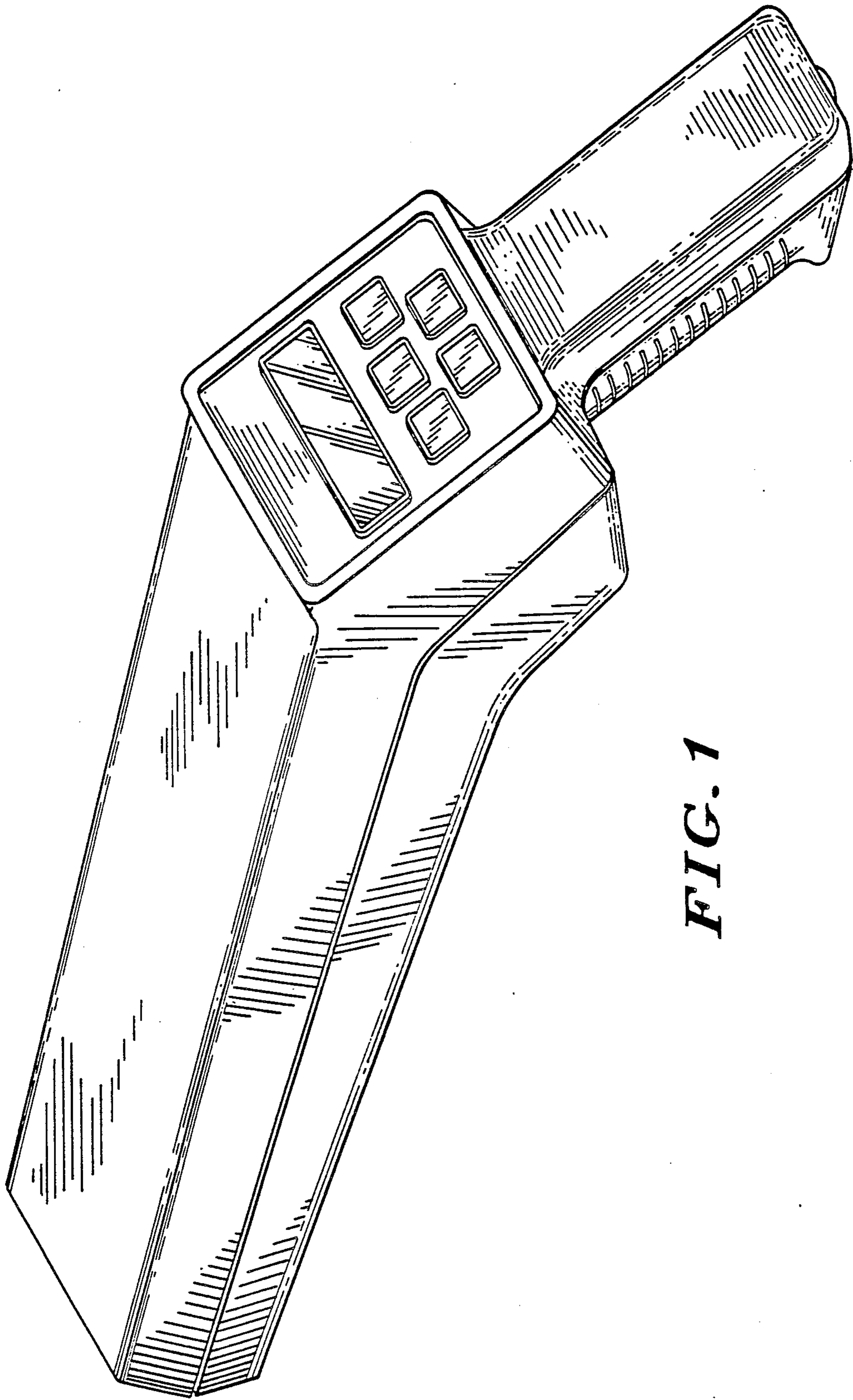
[57] CLAIM

The ornamental design for a timing light, as shown and described.

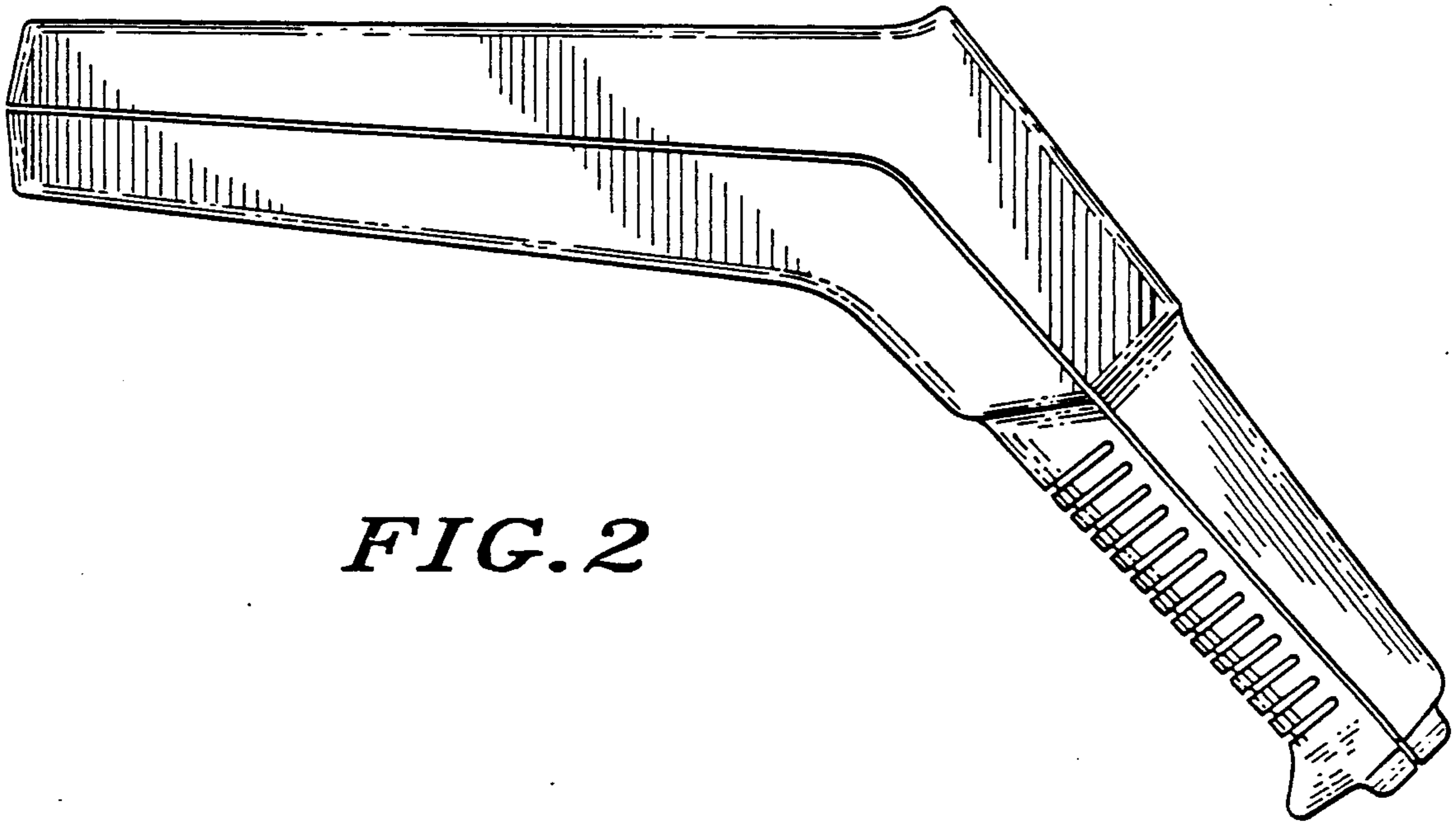
DESCRIPTION

FIG. 1 is a perspective view of a timing light showing our new design;
FIG. 2 is a side elevational view of one side thereof;
FIG. 3 is a side elevational view of the other side thereof;
FIG. 4 is a top plan view thereof;
FIG. 5 is a bottom plan view thereof;
FIG. 6 is a front elevational view thereof; and
FIG. 7 is a rear elevational view thereof.

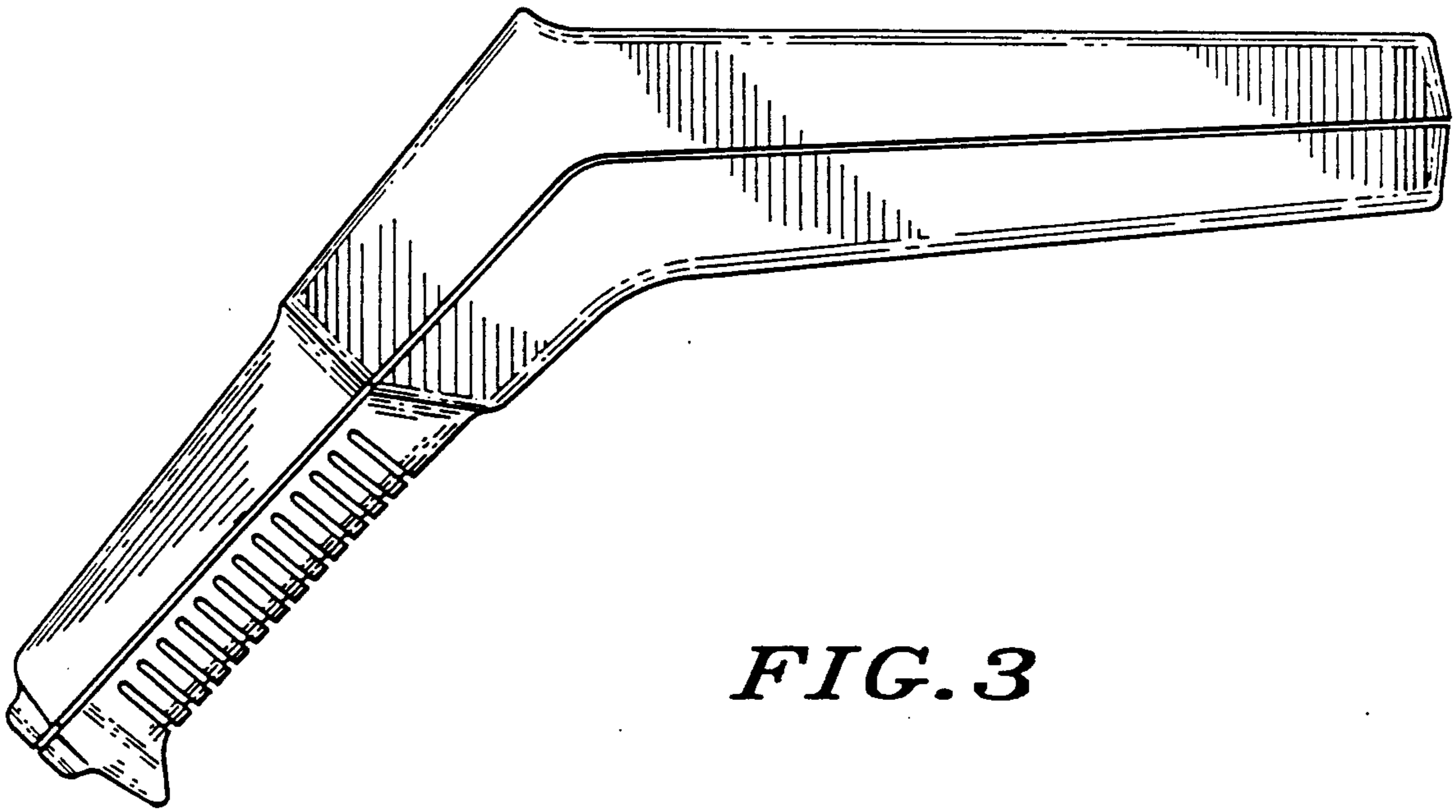




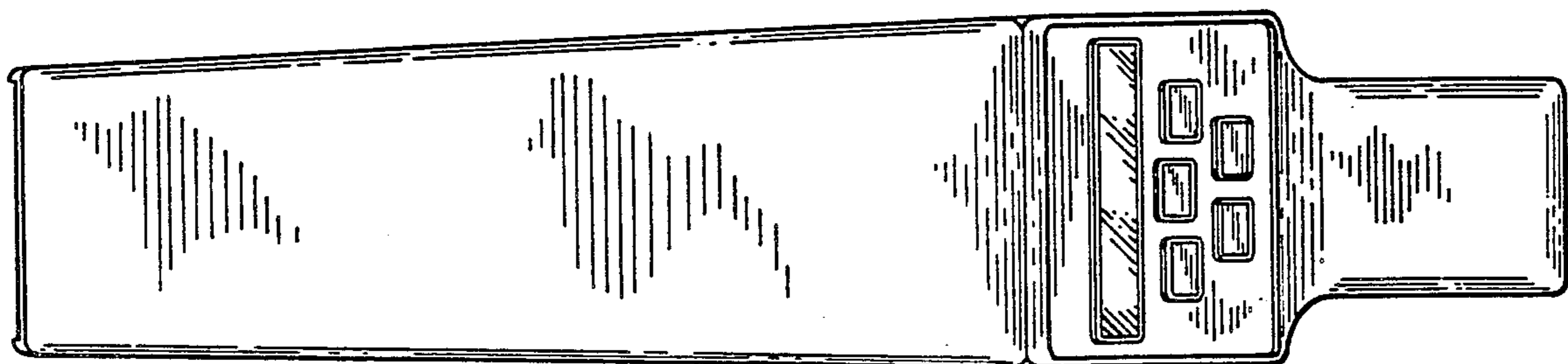
*FIG. 1*



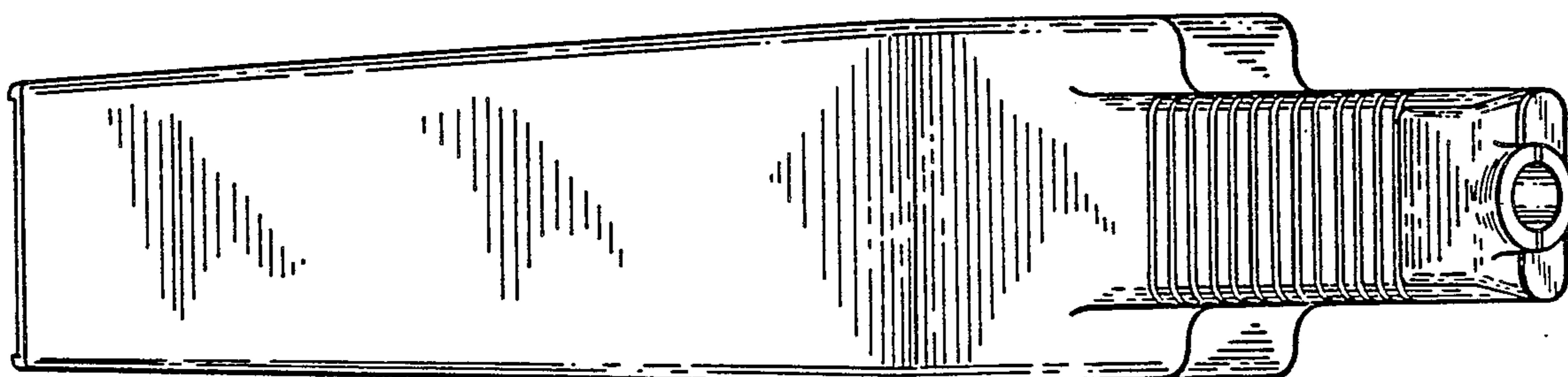
*FIG. 2*



*FIG. 3*

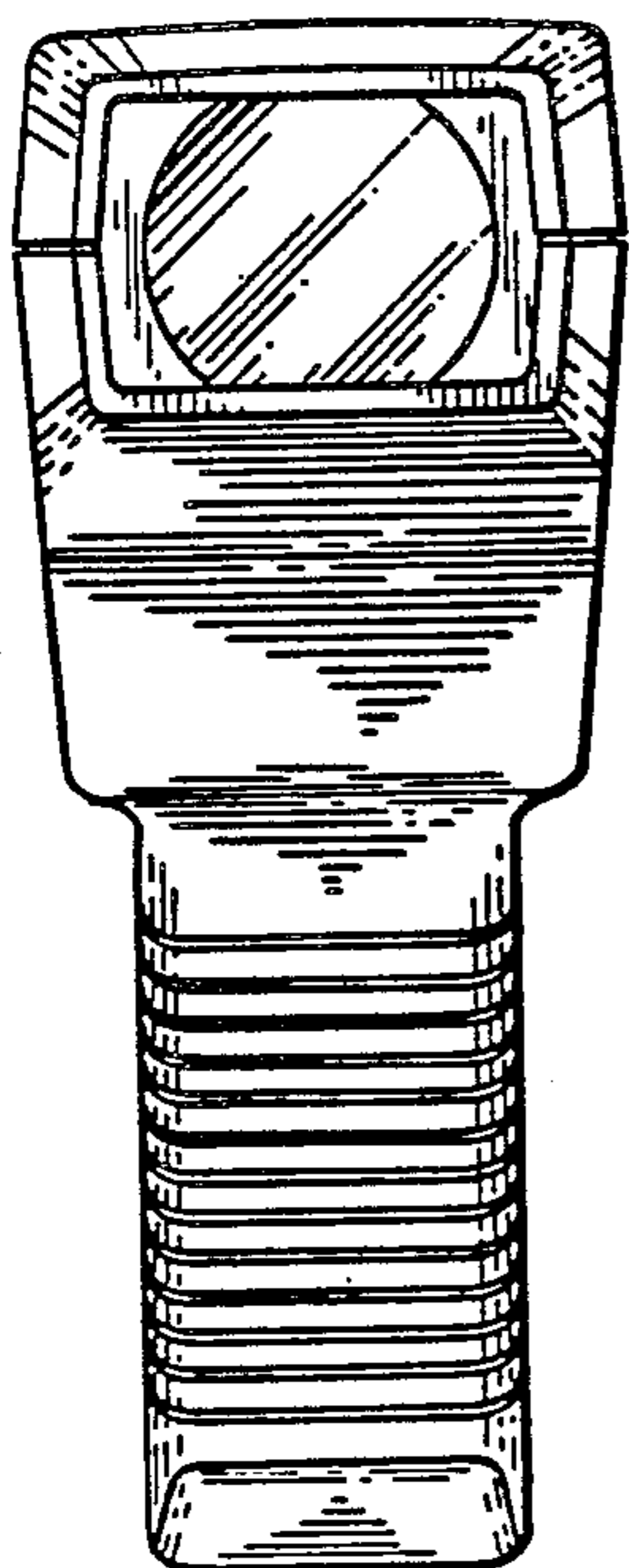


*FIG. 4*



*FIG. 5*

*FIG. 6*



*FIG. 7*

