

United States Patent [19]
Ostrowsky

[11] **Patent Number: Des. 292,889**
[45] **Date of Patent: ** Nov. 24, 1987**

[54] **DISPENSING CLOSURE CAP**
[75] **Inventor: Efrem M. Ostrowsky, Highland Park, Ill.**
[73] **Assignee: Pittway Corporation, Crystal Lake, Ill.**
[**] **Term: 14 Years**
[21] **Appl. No.: 710,367**
[22] **Filed: Mar. 11, 1985**
[52] **U.S. Cl. D9/449; D9/447**
[58] **Field of Search D9/434-455; 222/534, 535, 536, 556, 531**

3,529,754 9/1970 Yochim 222/531
3,542,256 11/1970 Waterman 222/534 X
4,595,123 6/1986 Libit 222/556 X

OTHER PUBLICATIONS

Seaquist Closures cat. 1983, Bottle Caps.
Primary Examiner—Bernard Ansher
Assistant Examiner—Linda Titolo
Attorney, Agent, or Firm—Dressler, Goldsmith, Shore, Sutker & Milnamow, Ltd.

[57] **CLAIM**

The ornamental design for a dispensing closure cap, substantially as shown and described.

DESCRIPTION

FIG. 1 is a rear perspective view of a dispensing closure cap showing my new design;
FIG. 2 is a top plan view thereof;
FIG. 3 is a right side elevational view thereof, the left side being a mirror image thereof;
FIG. 4 is a rear elevational view thereof; and
FIG. 5 is a front elevational view thereof.

[56] **References Cited**

U.S. PATENT DOCUMENTS

D. 201,652 7/1965 Podall D9/448
D. 224,092 7/1972 Steidley D9/448
D. 234,576 3/1975 Mandeltort D9/448
3,303,971 2/1967 Stevens, Jr. 222/534 X
3,516,581 6/1970 Micallef 222/534 X

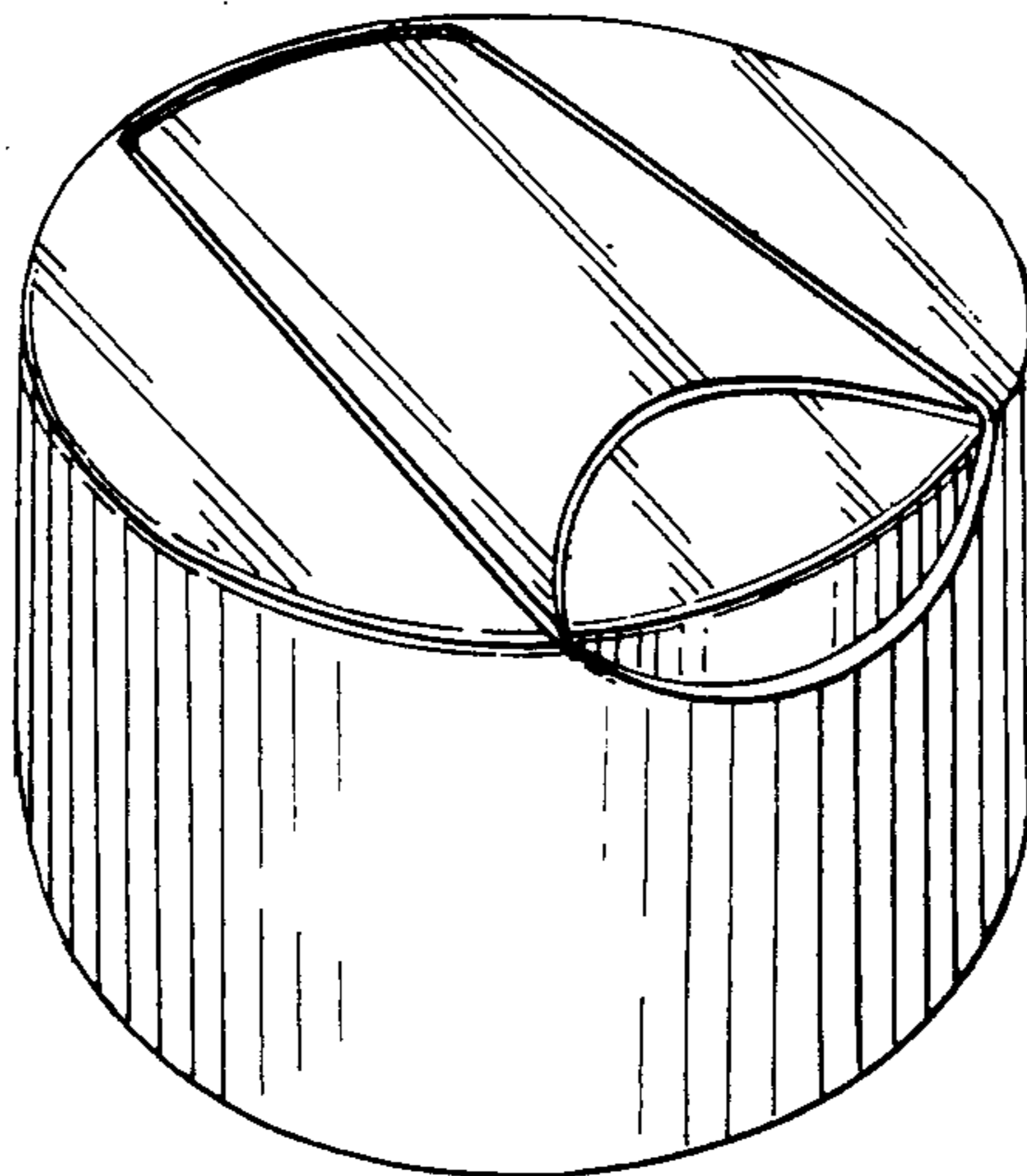


FIG. 1

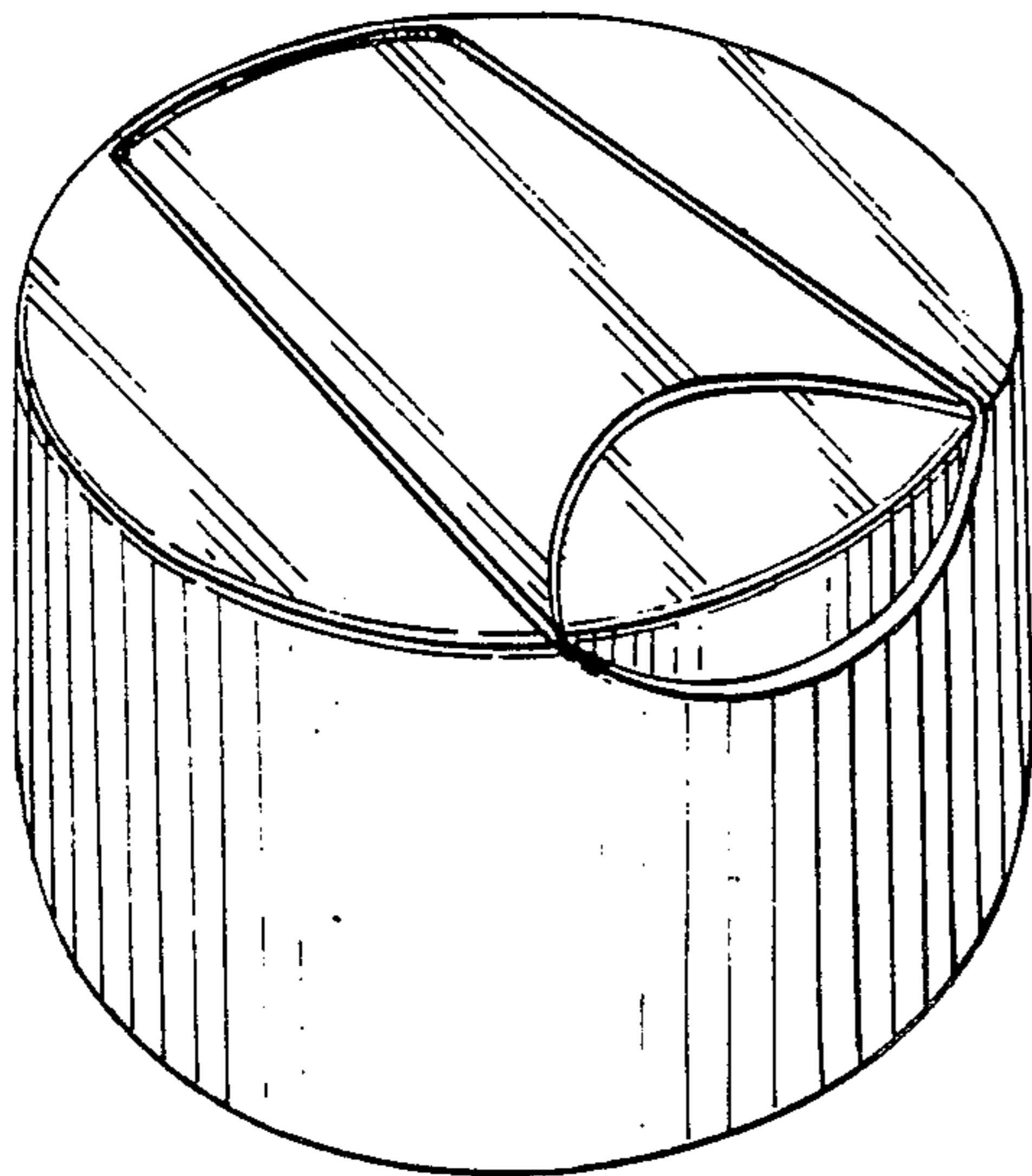


FIG. 2

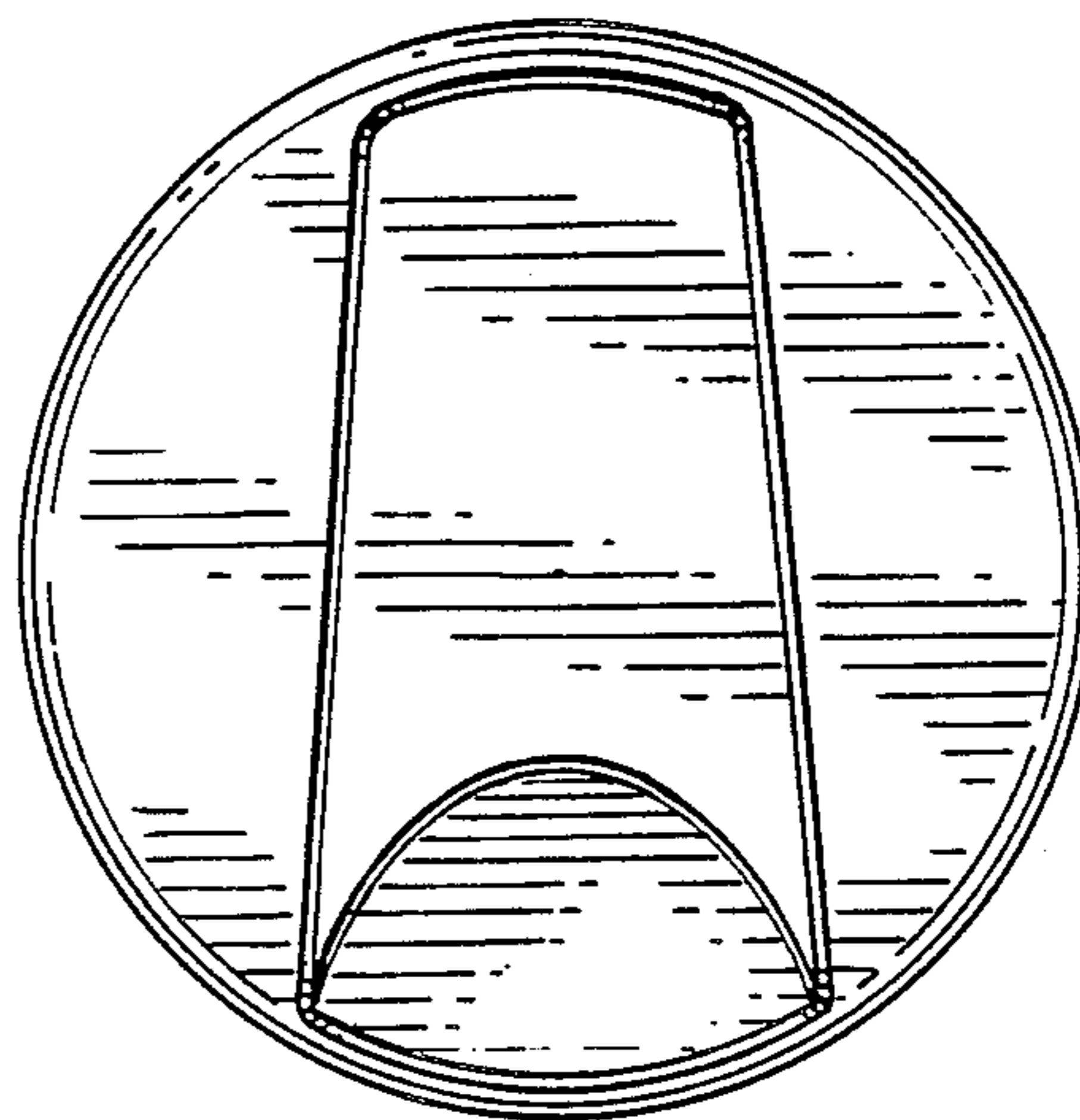


FIG. 3

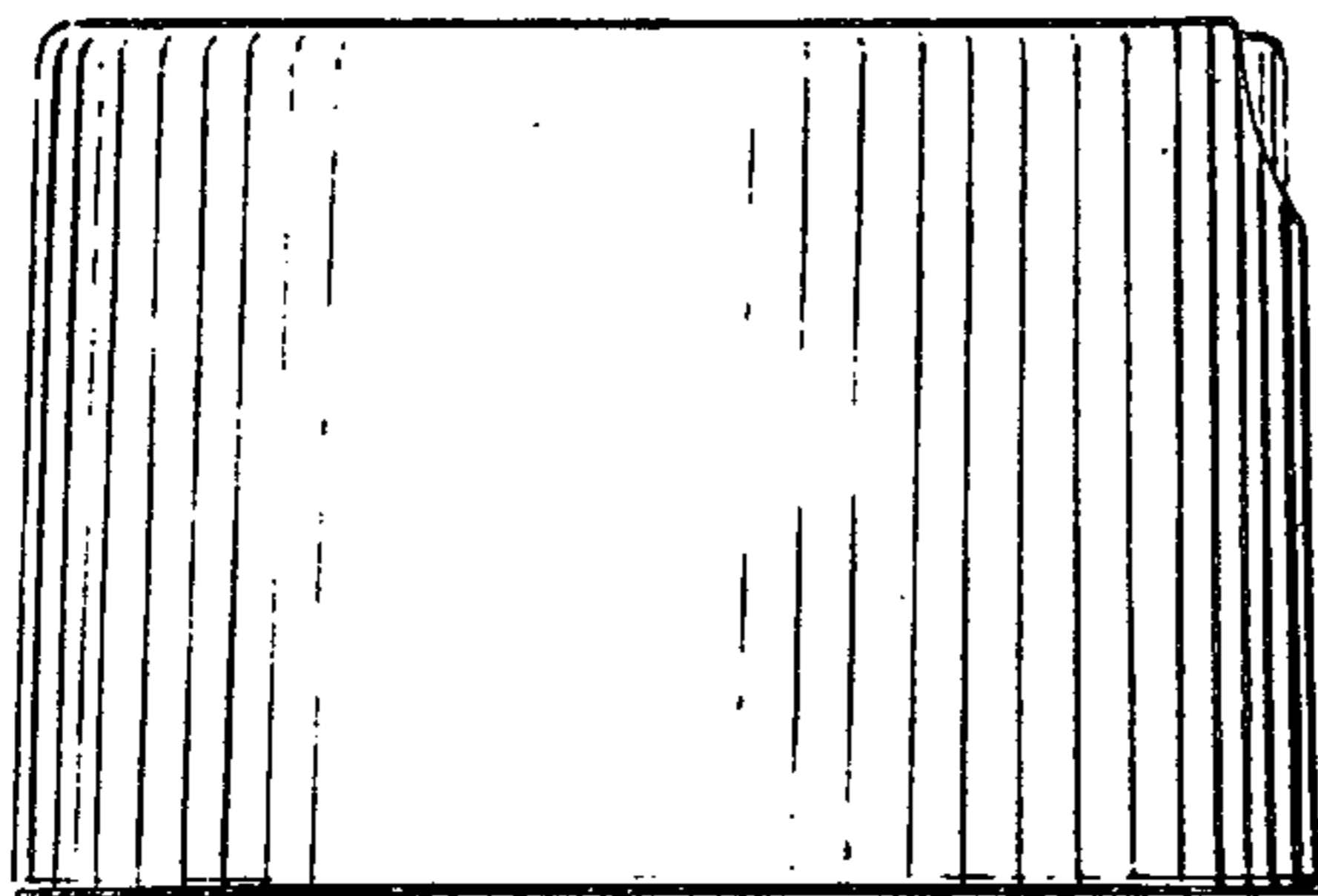


FIG. 4

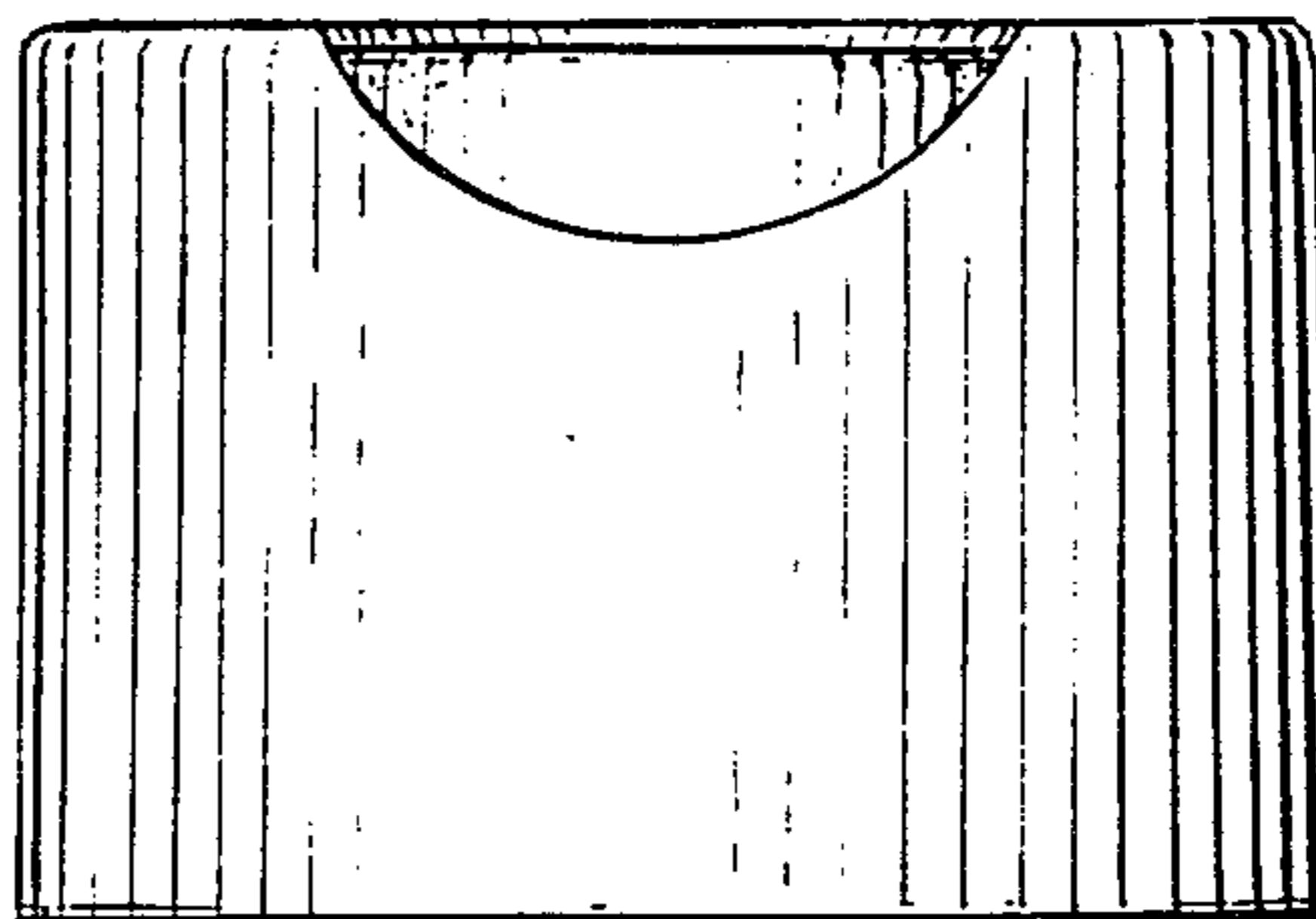


FIG. 5

