

[54] PACKAGING CONTAINER

[75] Inventor: Gerard M. Schouten, Lititz, Pa.

[73] Assignee: Armstrong World Industries, Inc., Lancaster, Pa.

[**] Term: 14 Years

[21] Appl. No.: 706,137

[22] Filed: Feb. 27, 1985

[52] U.S. Cl. D9/424

[58] Field of Search 206/557, 564, 388, 389, 206/397, 407, 408, 411; D9/352, 424, 428, 418, 414, 419; D7/83

[56] References Cited

U.S. PATENT DOCUMENTS

D. 71,513	11/1926	Austin	D9/418
D. 117,709	11/1939	Campbell	D9/418
D. 127,331	5/1941	Rosenfeld	D9/352
D. 134,736	1/1943	Wiley	D9/352
D. 155,883	11/1949	Fogel	D9/418
2,112,879	4/1938	Broderick	D9/418 X

Primary Examiner—Robert C. Spangler

[57] CLAIM

The ornamental design for a packaging container, substantially as shown.

DESCRIPTION

FIG. 1 is a perspective view of a packaging container showing my new design; FIG. 2 is a side view thereof; FIG. 3 is a top view thereof; and FIG. 4 is a bottom view thereof.

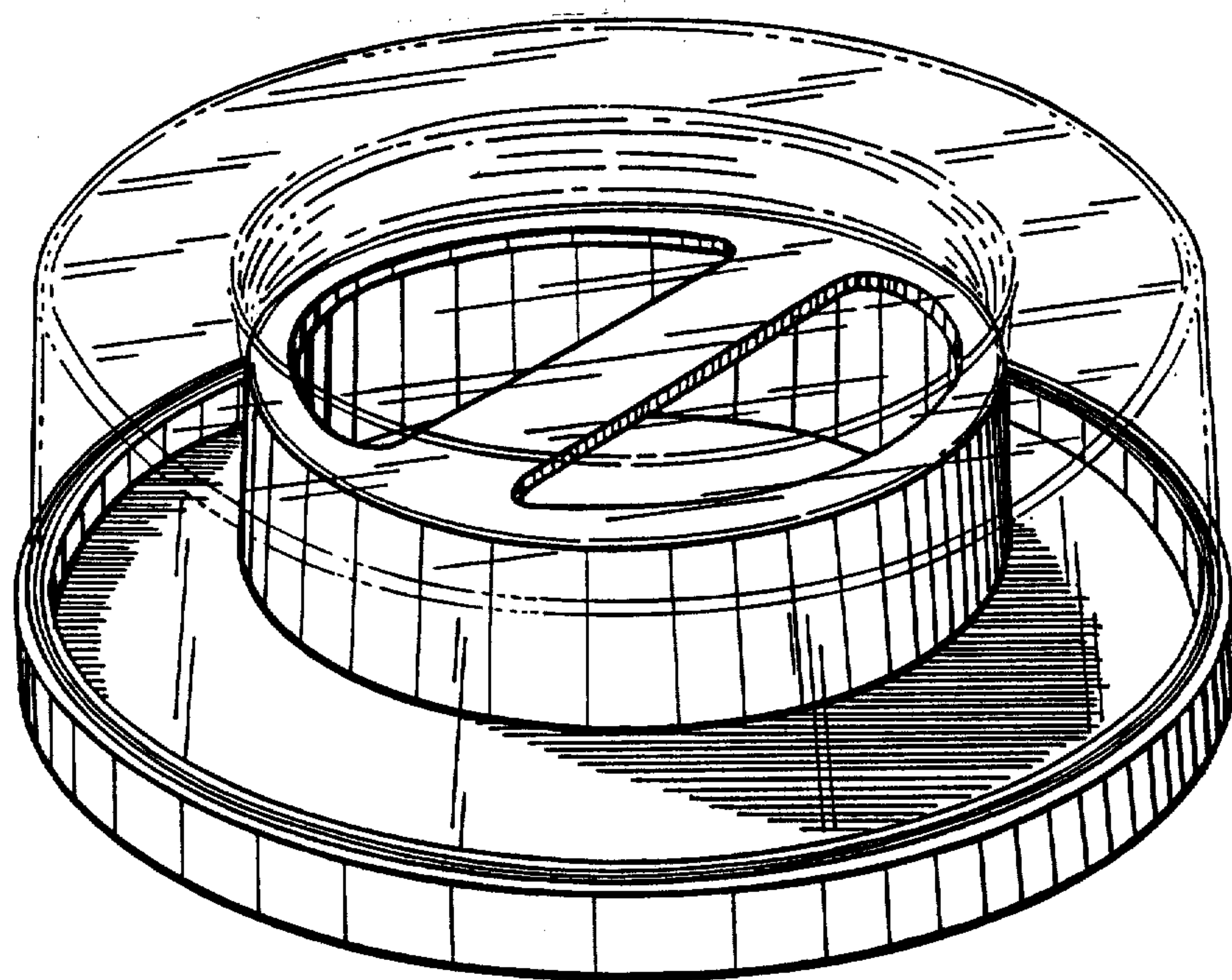


Fig. 1

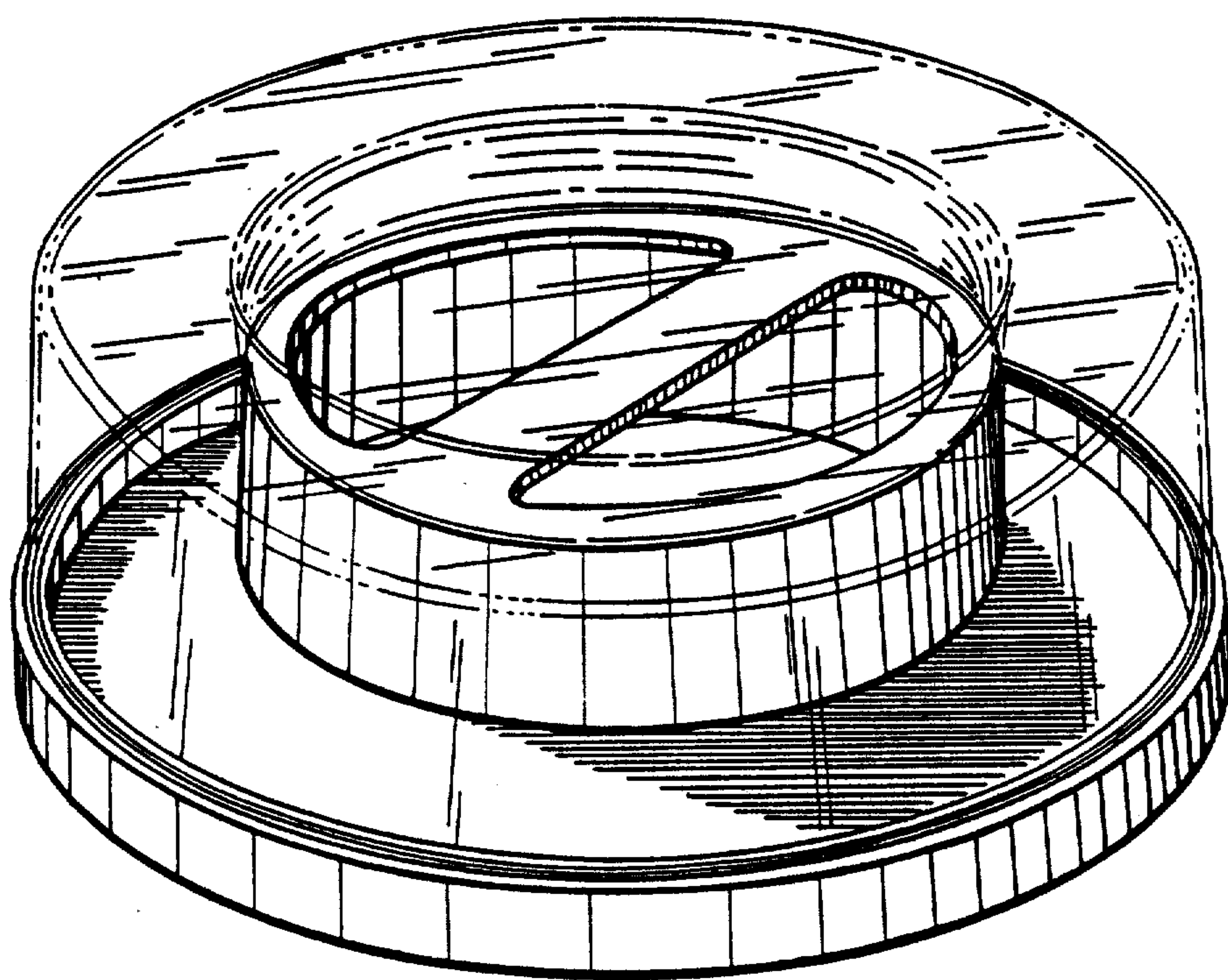


Fig. 2

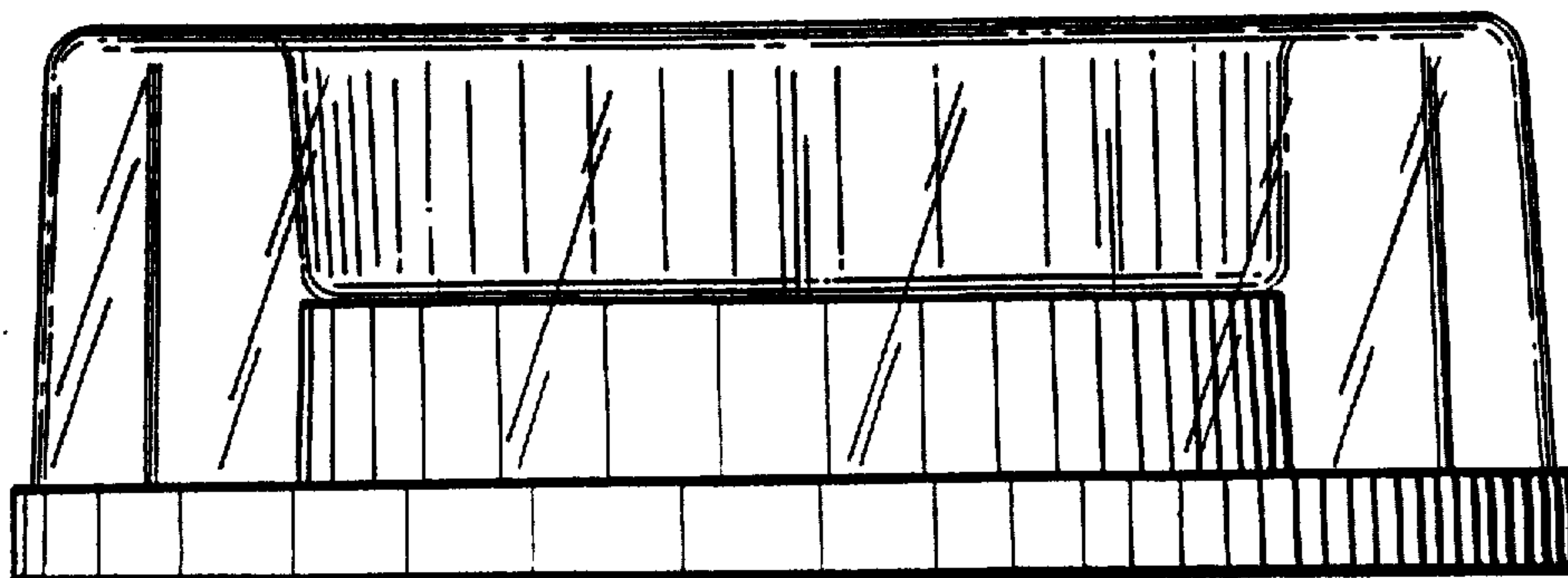


Fig. 3

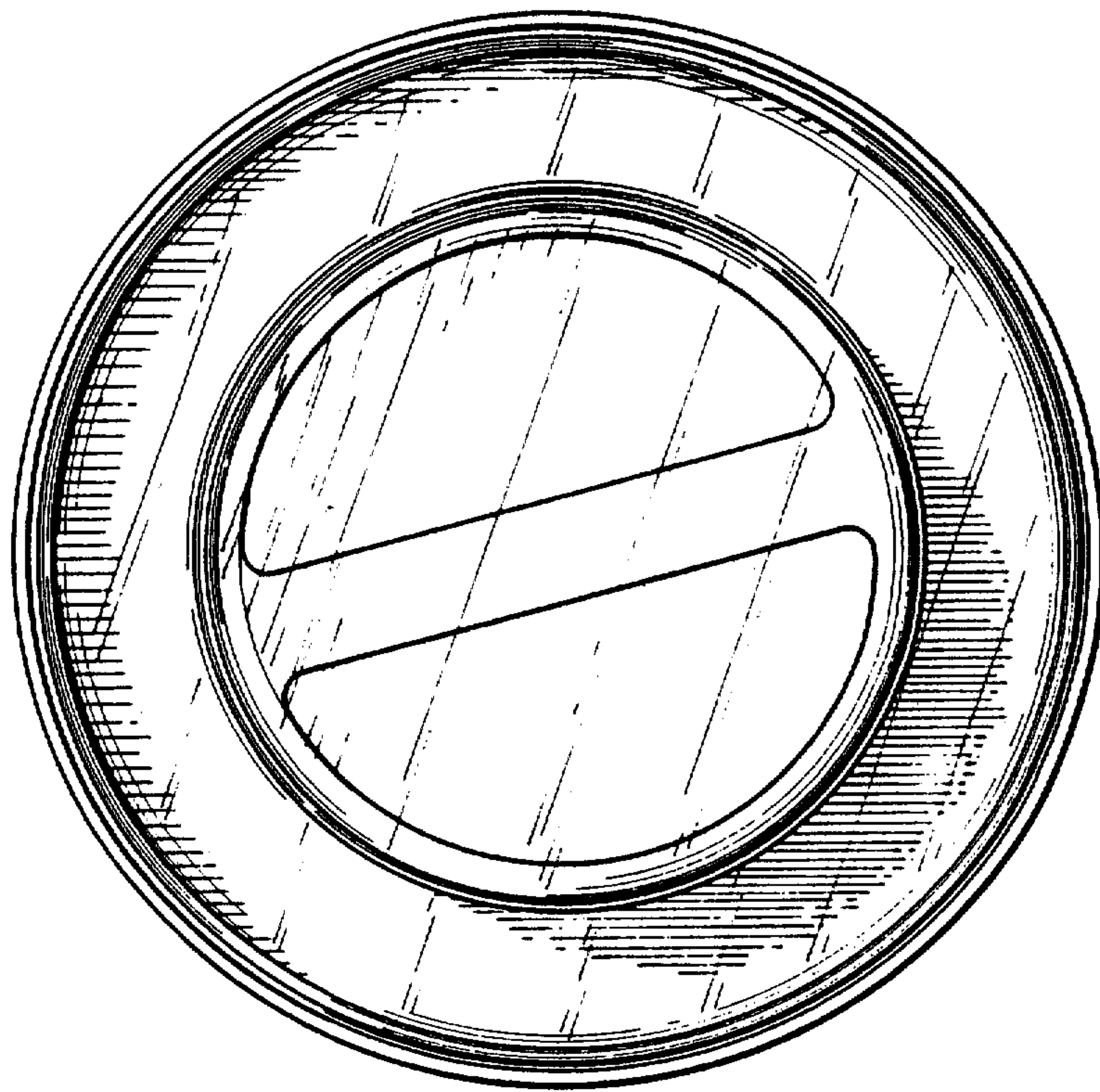


Fig. 4

