

[54] **DETERGENT CONTAINER**

[76] **Inventor: Myron Warwick, 7301 Melanie La.,
Knoxville, Tenn. 37918**

[**] **Term: 14 Years**

[21] **Appl. No.: 732,920**

[22] **Filed: May 13, 1985**

[52] **U.S. Cl. D9/381; D9/390;
D9/446**

[58] **Field of Search D9/367, 378, 381, 349,
D9/352, 390, 362, 361, 399, 446, 364; 215/1 R,
1 C; D7/51, 19, 20, 18**

[56] **References Cited**

U.S. PATENT DOCUMENTS

- D. 47,134 3/1915 Hoffman D9/364
- D. 57,854 5/1921 Nowack D9/362
- D. 257,577 12/1980 Hayes D9/381

- D. 285,532 9/1986 MacLaughlin D9/352
- 3,404,816 10/1968 Weber D9/446 X
- 3,485,416 12/1969 Fohrman D9/446 X

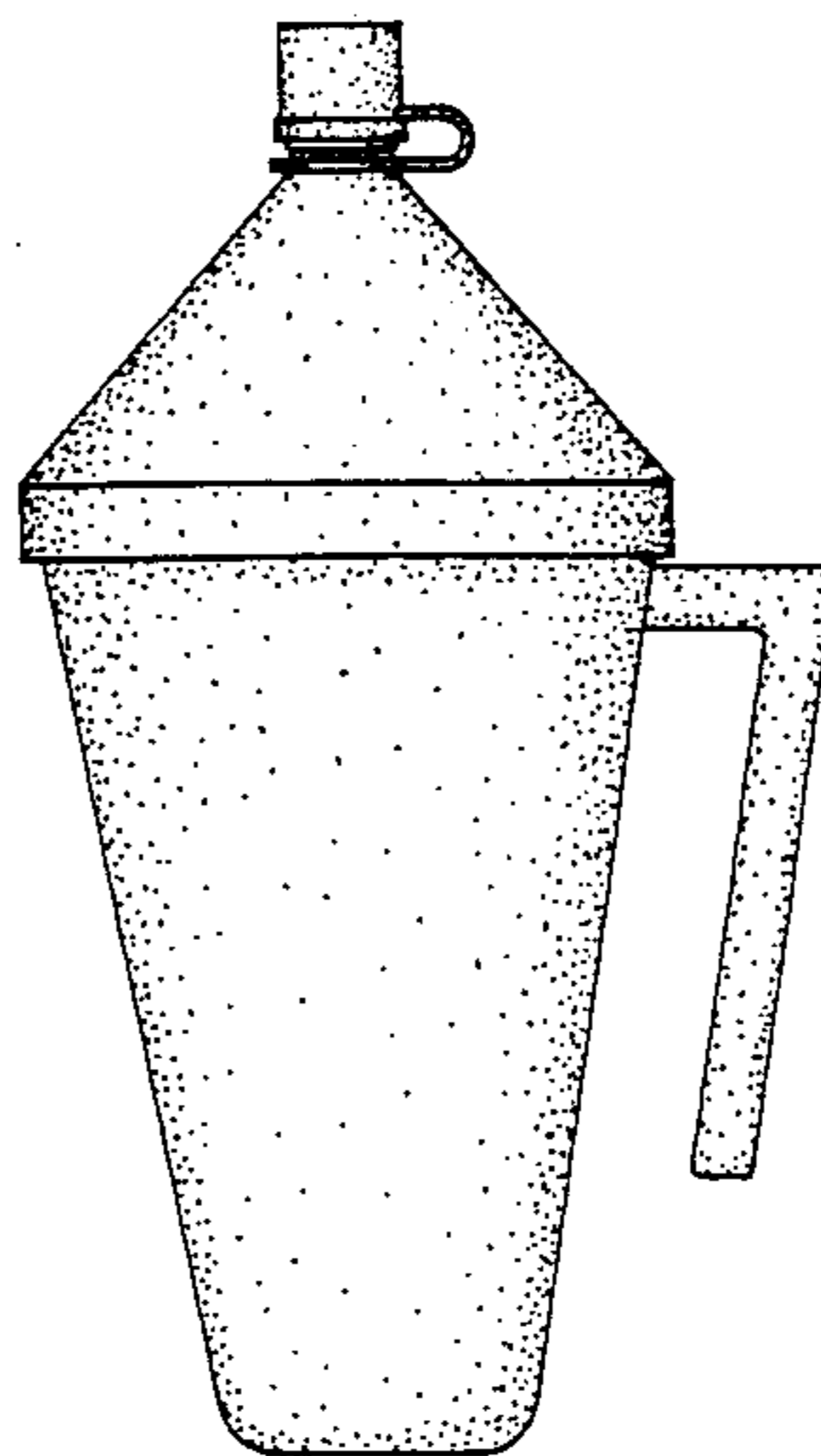
Primary Examiner—Robert C. Spangler
Attorney, Agent, or Firm—Pitts and Brittan

[57] **CLAIM**

The ornamental design for a detergent container, as shown.

DESCRIPTION

FIG. 1 is a front elevational view of a detergent container showing my new design;
FIG. 2 is a rear elevational view;
FIG. 3 is an elevational view looking from the right of FIG. 1;
FIG. 4 is an elevational view looking from the left of FIG. 1;
FIG. 5 is a top plan view; and
FIG. 6 is a bottom plan view thereof.



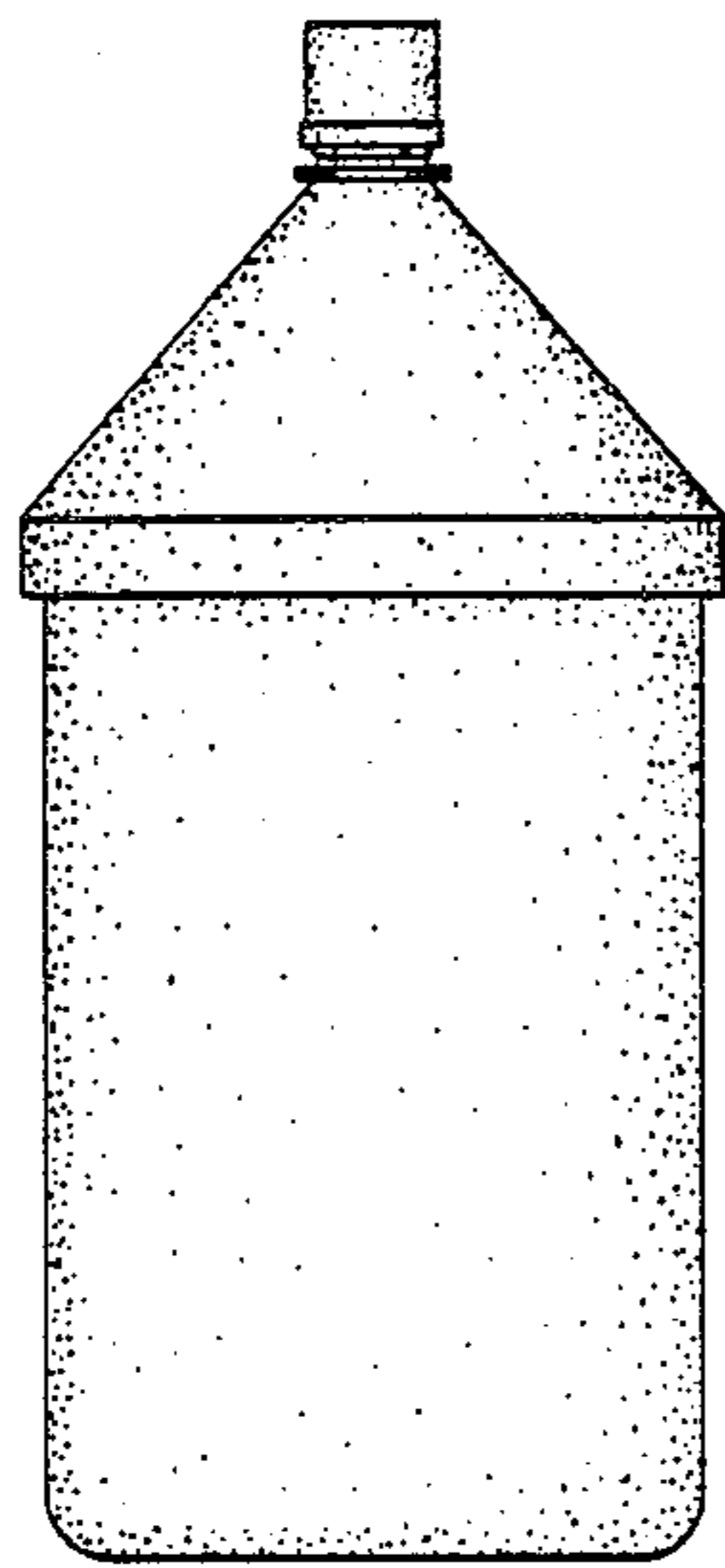


FIG. 1

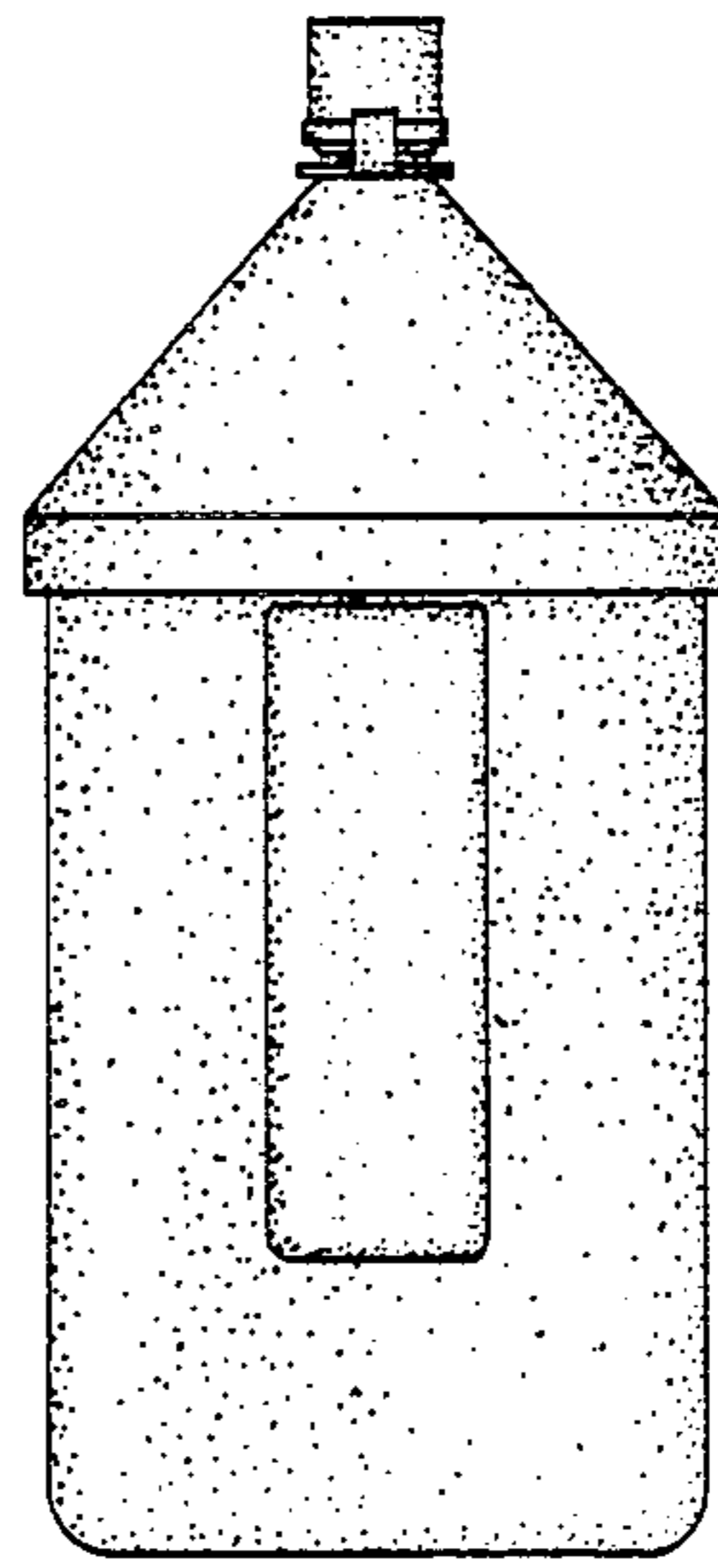


FIG. 2

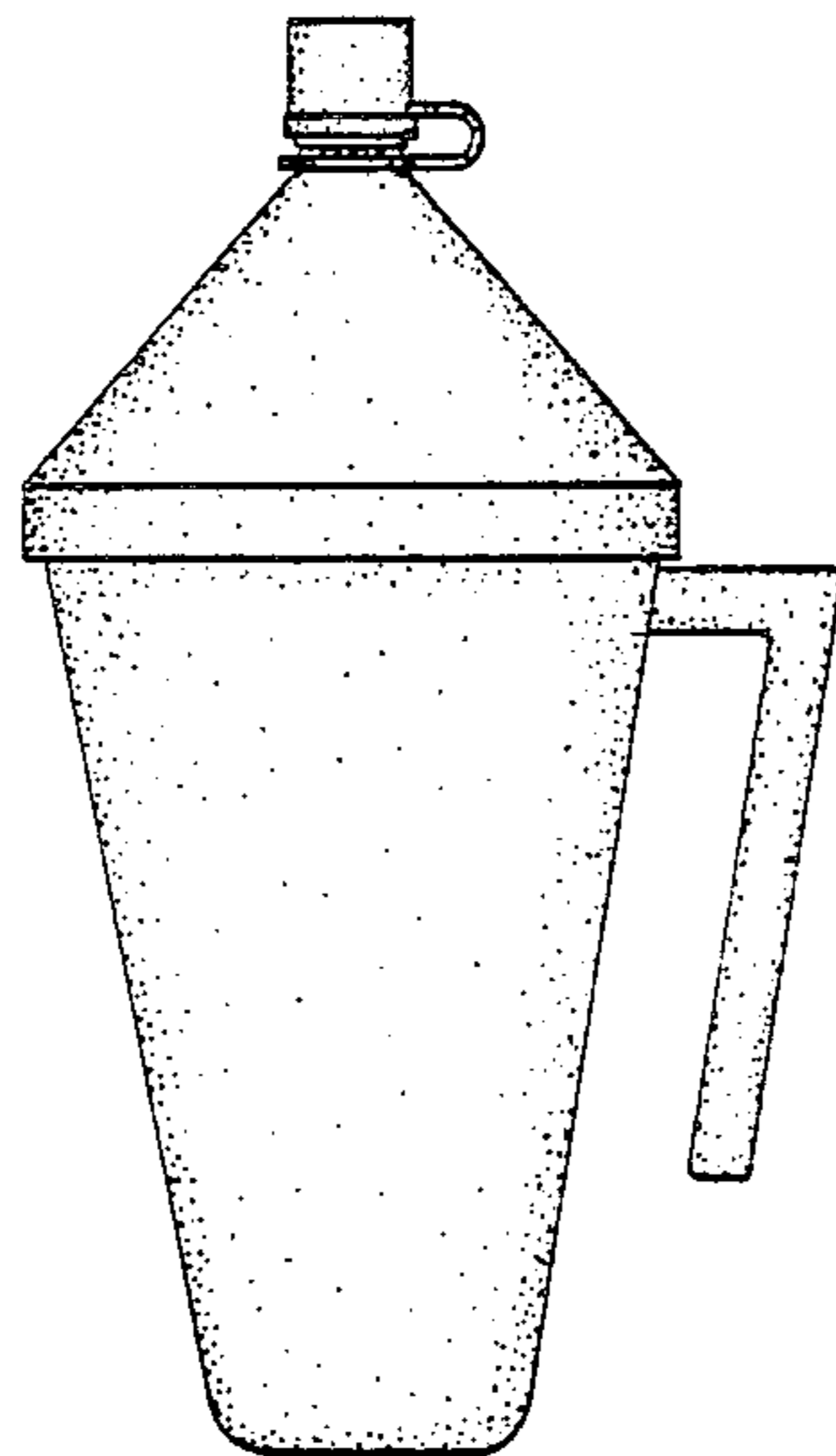


FIG. 3

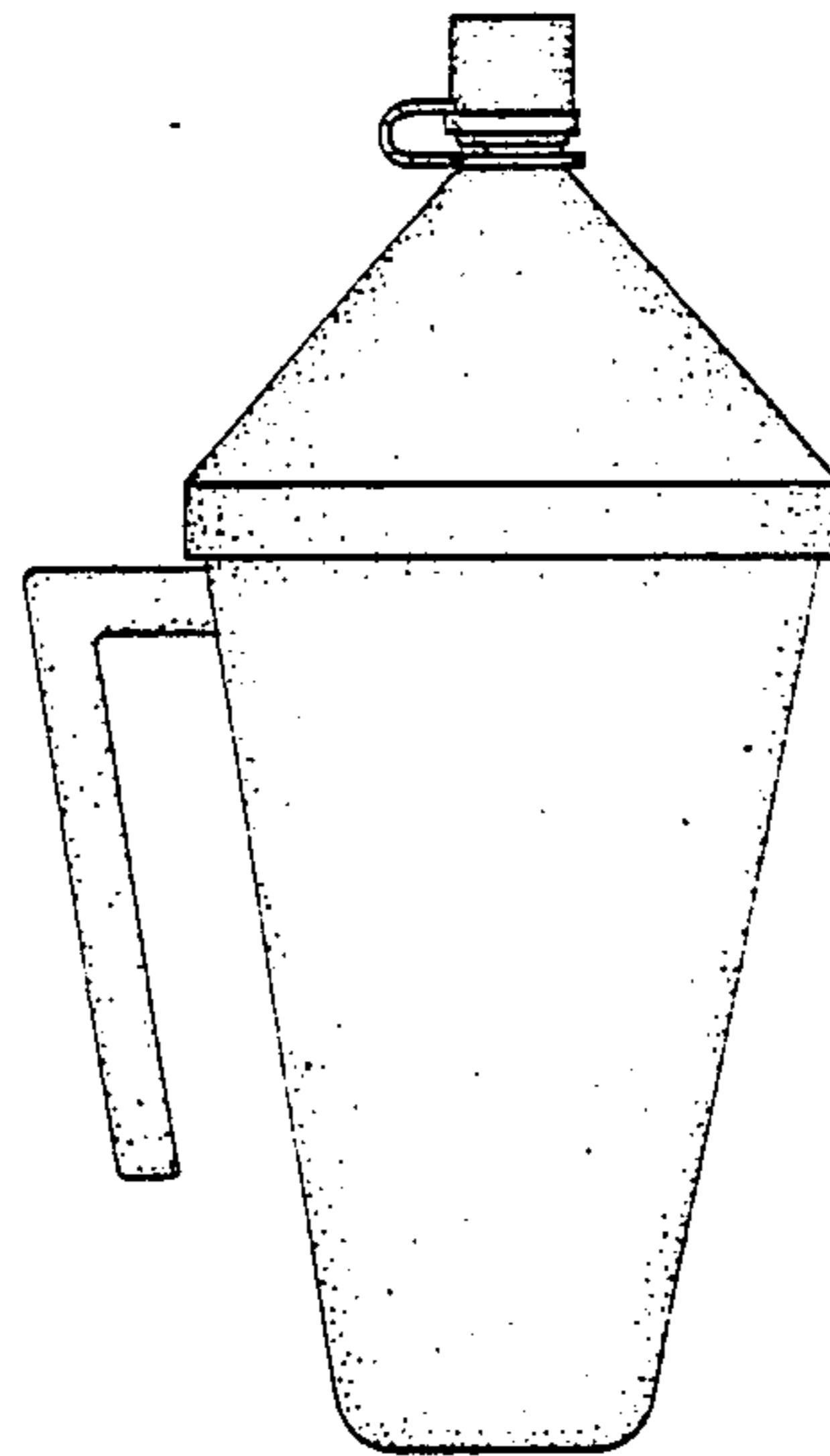


FIG. 4

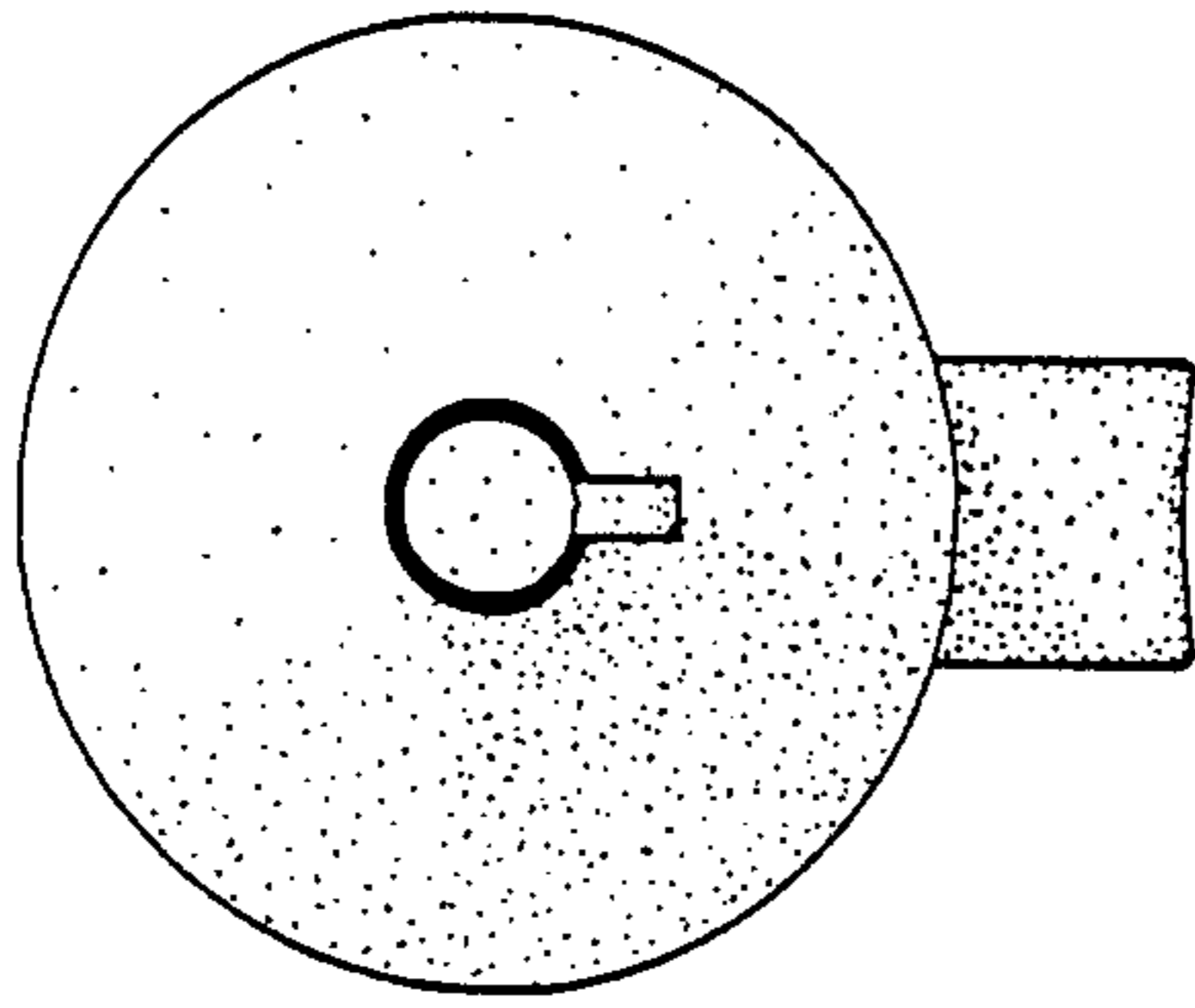


FIG. 5

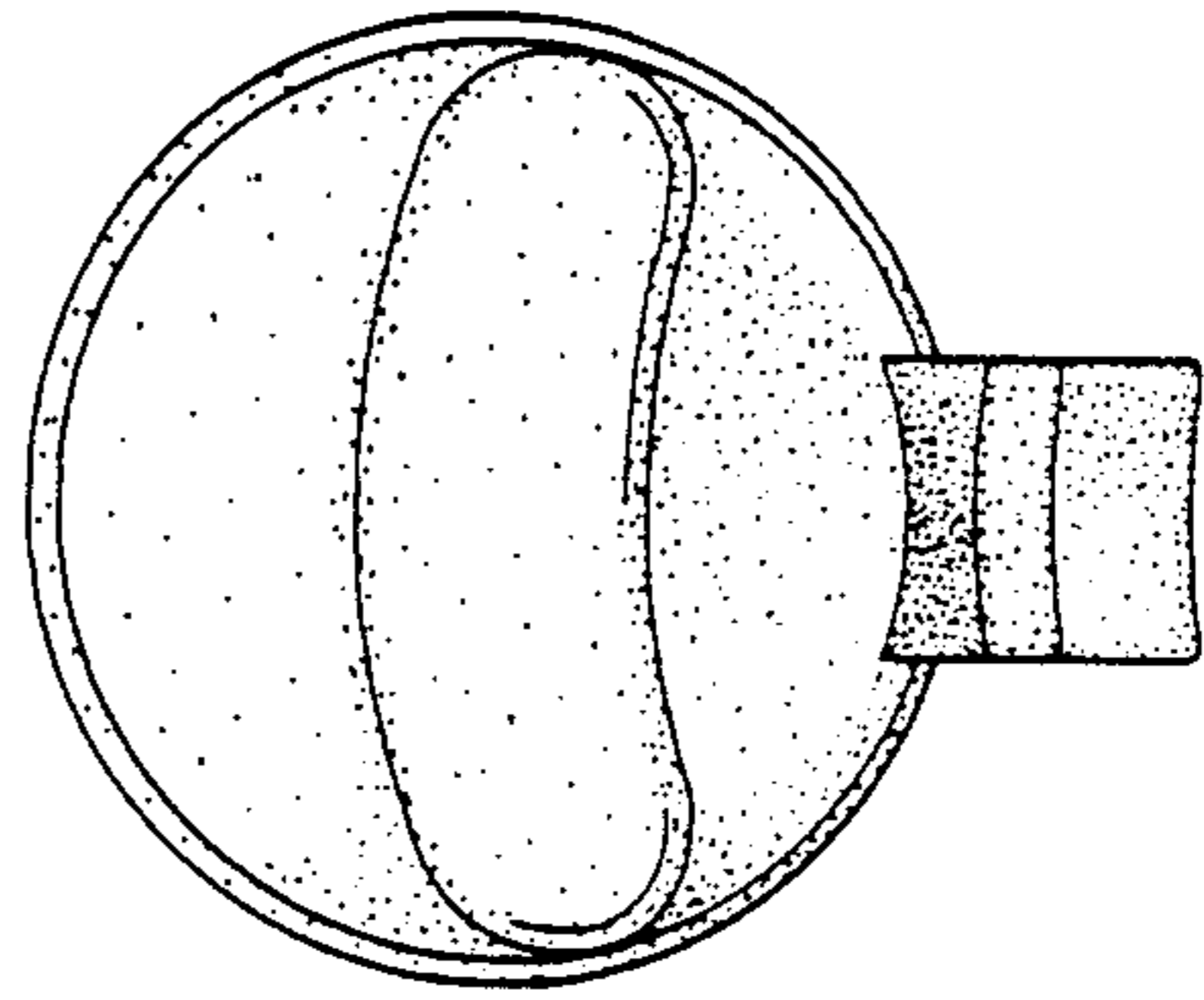


FIG. 6